

US00D766152S

(12) **United States Design Patent**
Lickliter

(10) **Patent No.:** **US D766,152 S**

(45) **Date of Patent:** **** Sep. 13, 2016**

(54) **VEHICLE WHEEL**

(71) Applicant: **Wheel Pros, LLC**, Greenwood Village,
CO (US)

(72) Inventor: **Hans Lickliter**, Lake Hughes, CA (US)

(73) Assignee: **Wheel Pro, LLC**

(**) Term: **14 Years**

(21) Appl. No.: **29/504,359**

(22) Filed: **Oct. 5, 2014**

(51) **LOC (10) Cl.** **12-16**

(52) **U.S. Cl.**
USPC **D12/209**

(58) **Field of Classification Search**
USPC D12/204-213; 301/37.101, 64.101, 65
See application file for complete search history.

(56) **References Cited**

U.S. PATENT DOCUMENTS

D573,082 S * 7/2008 Young D12/211
D671,483 S * 11/2012 Chung D12/211

D695,182 S * 12/2013 Chung D12/209
D721,318 S * 1/2015 Kim D12/211
D726,620 S * 4/2015 Lickliter D12/209
D726,630 S * 4/2015 Kong D12/211
D735,631 S * 8/2015 Chung D12/211

* cited by examiner

Primary Examiner — Ian Simmons

Assistant Examiner — Samantha Q Lawrence

(74) *Attorney, Agent, or Firm* — KC Bean, Esq.

(57) **CLAIM**

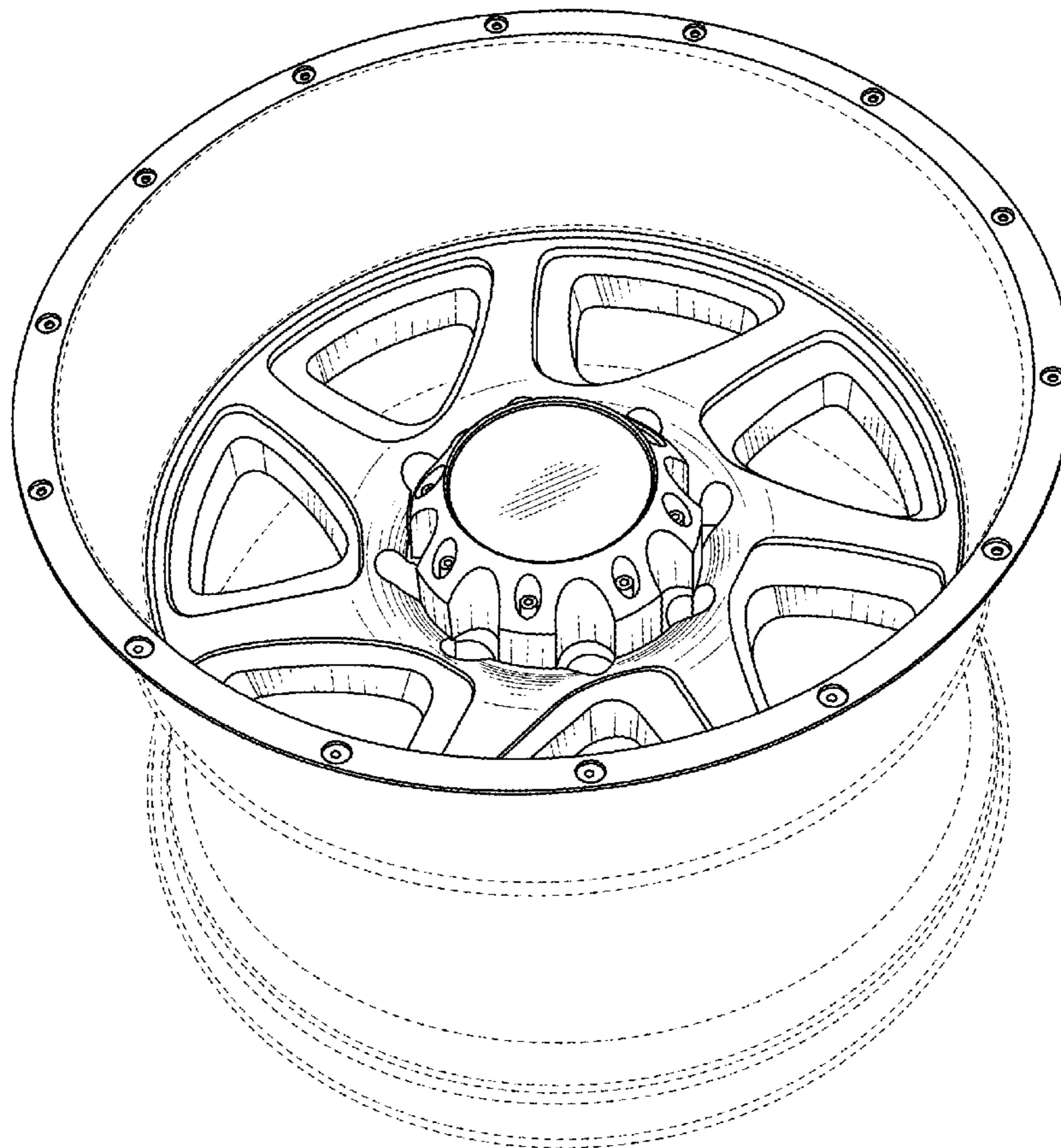
The ornamental design for a vehicle wheel, as shown and described.

DESCRIPTION

FIG. 1 is a front perspective view of a vehicle wheel showing the new design; and, FIG. 2 is a front view thereof.

The broken lines shown in FIG. 1 illustrates portions of the vehicle wheel that forms no part of the claimed design. The broken lines residing on the inner edge of the wheel shown in FIGS. 1 and 2 indicate boundary lines of the vehicle wheel and form no part of the claimed design.

1 Claim, 2 Drawing Sheets



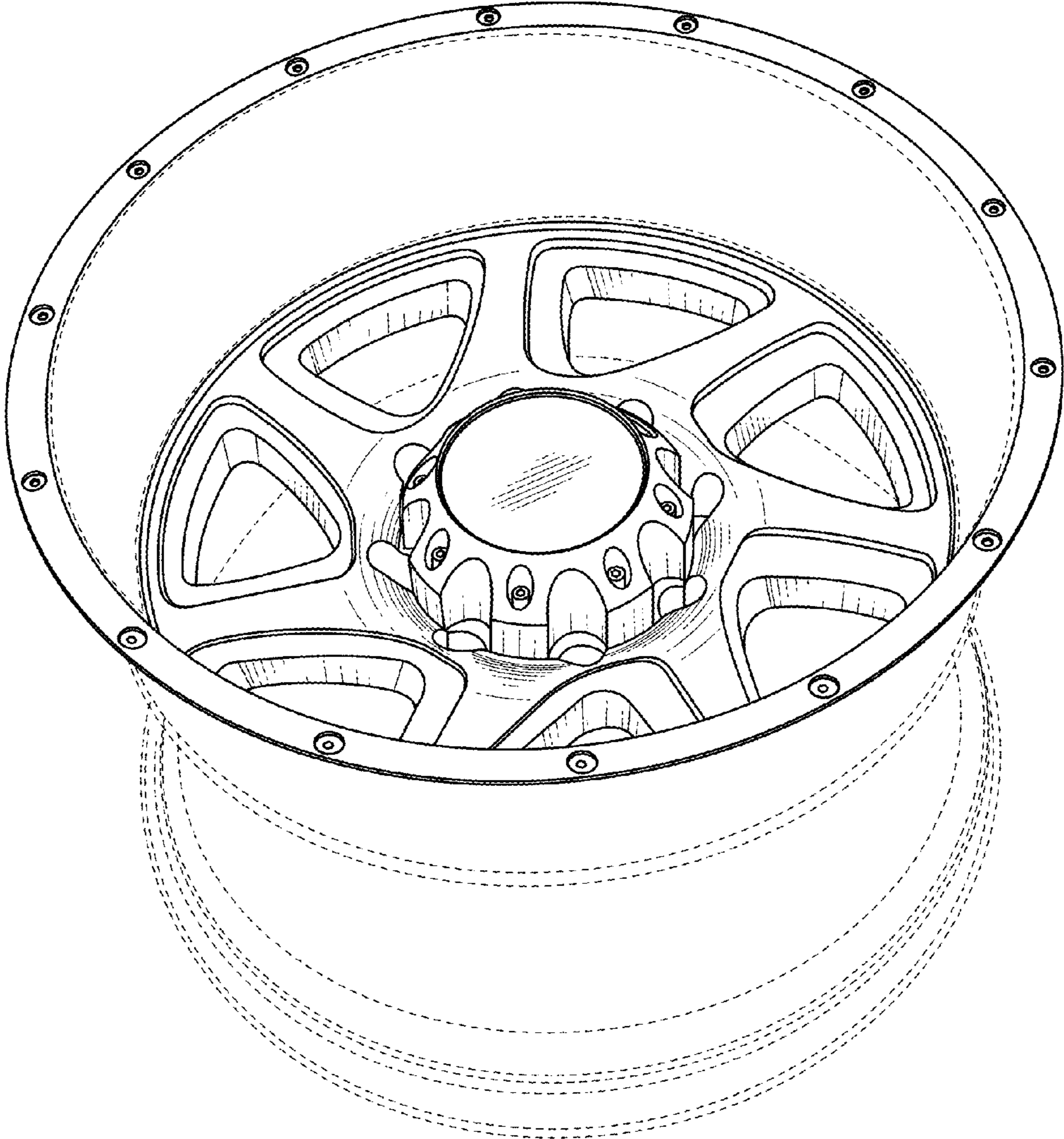


Fig. 1

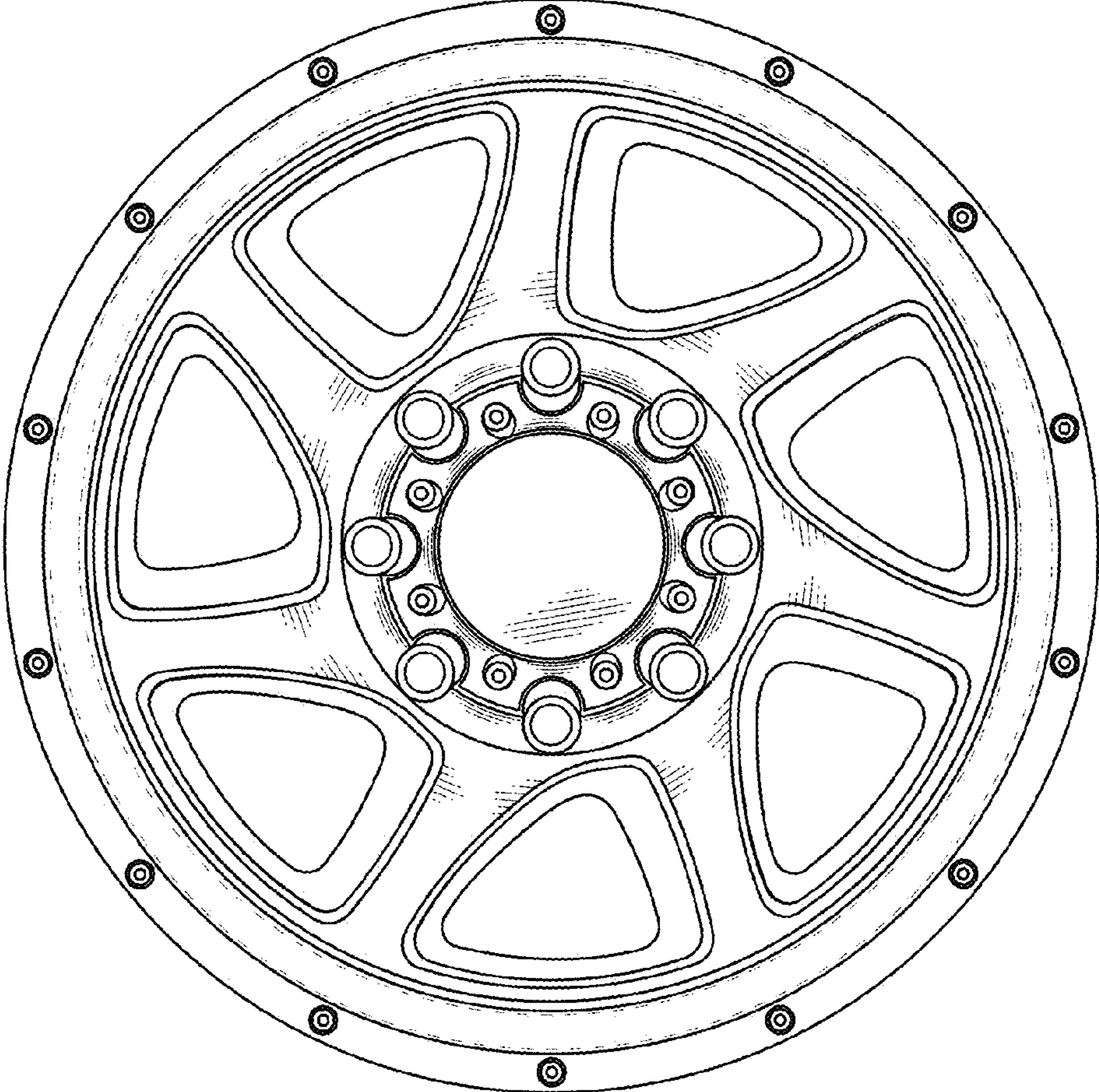


Fig. 2