



US00D766148S

(12) **United States Design Patent**
Schneider

(10) **Patent No.:** **US D766,148 S**

(45) **Date of Patent:** **** Sep. 13, 2016**

(54) **FRONT FENDER FOR A VEHICLE**

(71) Applicant: **Bayerische Motoren Werke Aktiengesellschaft, Munich (DE)**

(72) Inventor: **Alexander Schneider, Munich (DE)**

(73) Assignee: **Bayerische Motoren Werke Aktiengesellschaft, Munich (DE)**

(**) Term: **14 Years**

(21) Appl. No.: **29/518,113**

(22) Filed: **Feb. 20, 2015**

(30) **Foreign Application Priority Data**

Aug. 21, 2014 (DE) 40 2014 100 781

(51) **LOC (10) Cl.** **12-16**

(52) **U.S. Cl.**
USPC **D12/184**

(58) **Field of Classification Search**
USPC D12/88, 90, 91, 92, 181, 184, 196, 400;
D21/424, 433, 434; 280/847, 848, 849,
280/727, 770; 296/180.1, 180.2, 180.5
CPC B62D 25/18; B62D 25/184; B62D 25/02;
B62D 25/16; B62D 25/161; B62D 25/168
See application file for complete search history.

(56) **References Cited**

U.S. PATENT DOCUMENTS

D620,407 S * 7/2010 Froehlich D12/184
D654,413 S * 2/2012 Okumoto D12/184

D658,553 S * 5/2012 Hakamata D12/184
D659,616 S * 5/2012 Matsumoto D12/184
D695,662 S * 12/2013 Suga D12/196
D699,170 S * 2/2014 Okue D12/184
D733,628 S * 7/2015 Goeppel D12/184
D741,761 S * 10/2015 Mueller-Stolz D12/184

* cited by examiner

Primary Examiner — Rosemary K Tarcza

Assistant Examiner — Yolanda Robinson

(74) *Attorney, Agent, or Firm* — Crowell & Moring LLP

(57) **CLAIM**

The ornamental design for a front fender for a vehicle, as shown and described.

DESCRIPTION

This application contains subject matter related to the following co-pending U.S. design patent applications:

Application Ser. No. 29/489,242, filed Apr. 29, 2014 and entitled "Front Fender for a Vehicle"; and

Application Ser. No. 29/518,111, filed herewith and entitled "Vehicle, Toy, and/or Replicas Thereof".

FIG. 1 is a front view of a front fender for a vehicle according to the design;

FIG. 2 is a left perspective view thereof;

FIG. 3 is a right perspective view thereof;

FIG. 4 is a left side view thereof;

FIG. 5 is a right side view thereof;

FIG. 6 is a top view thereof;

FIG. 7 is a bottom view thereof; and,

FIG. 8 is a rear view thereof.

1 Claim, 8 Drawing Sheets

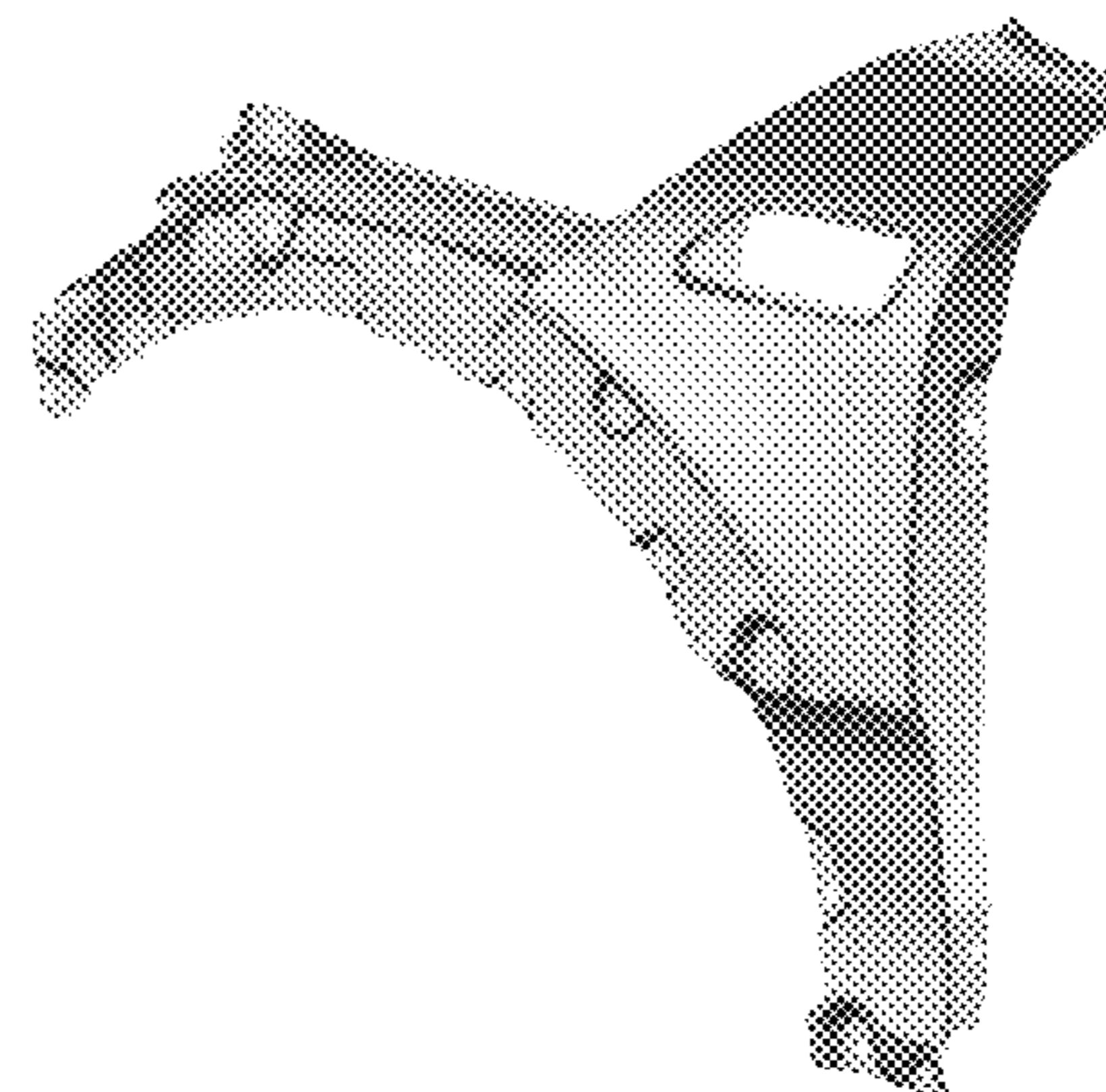
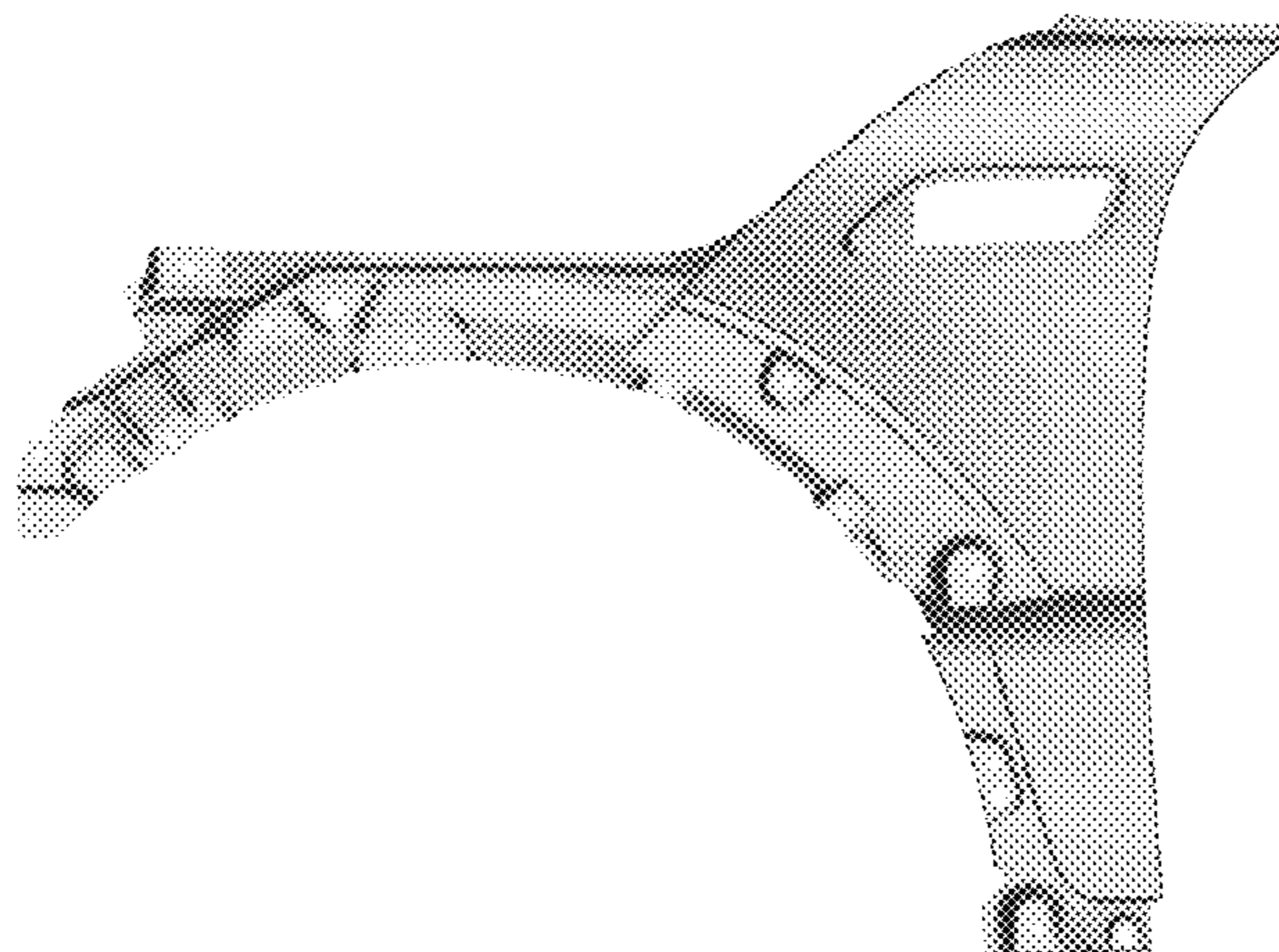




Fig. 1

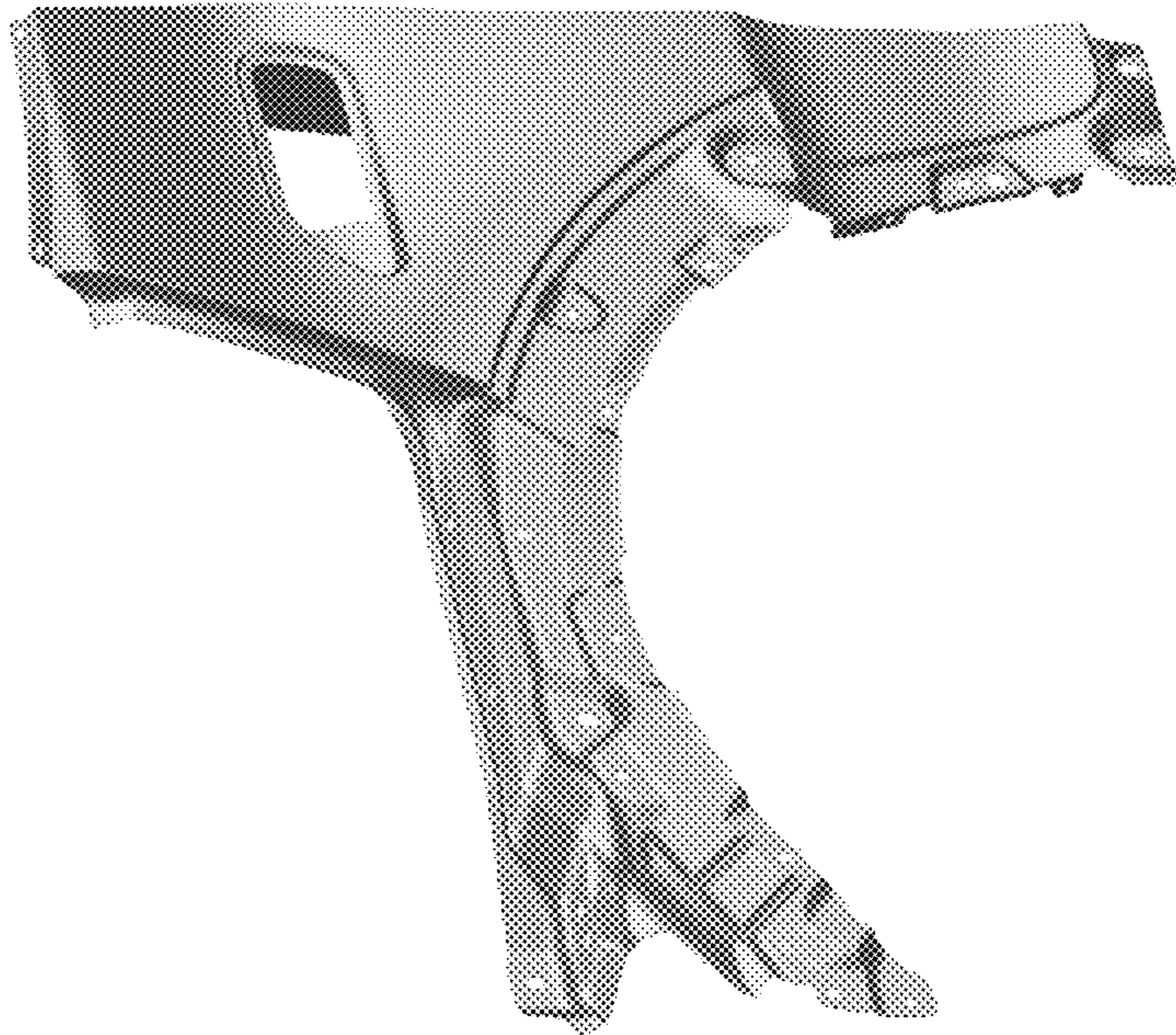


Fig. 2

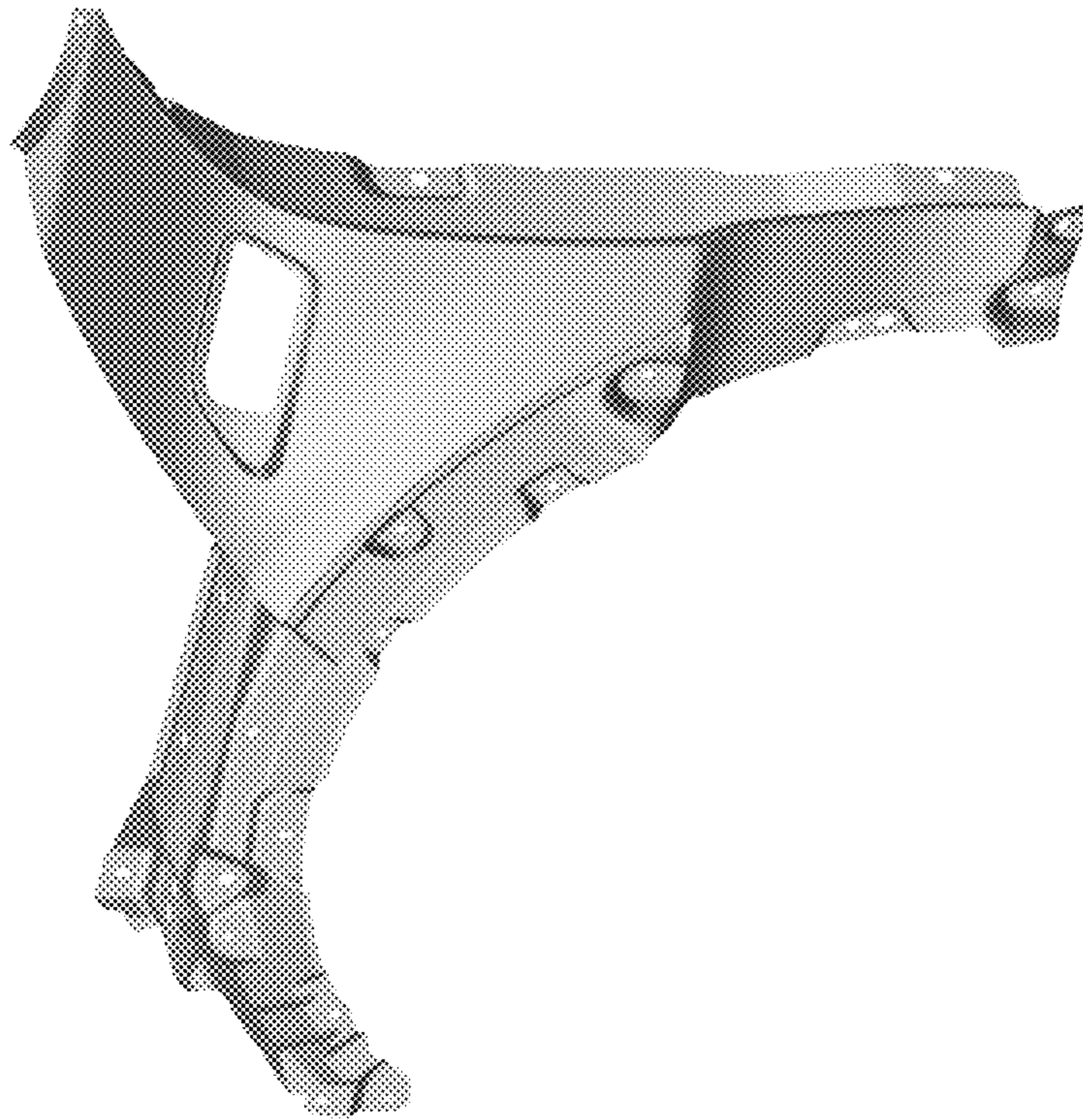


Fig. 3

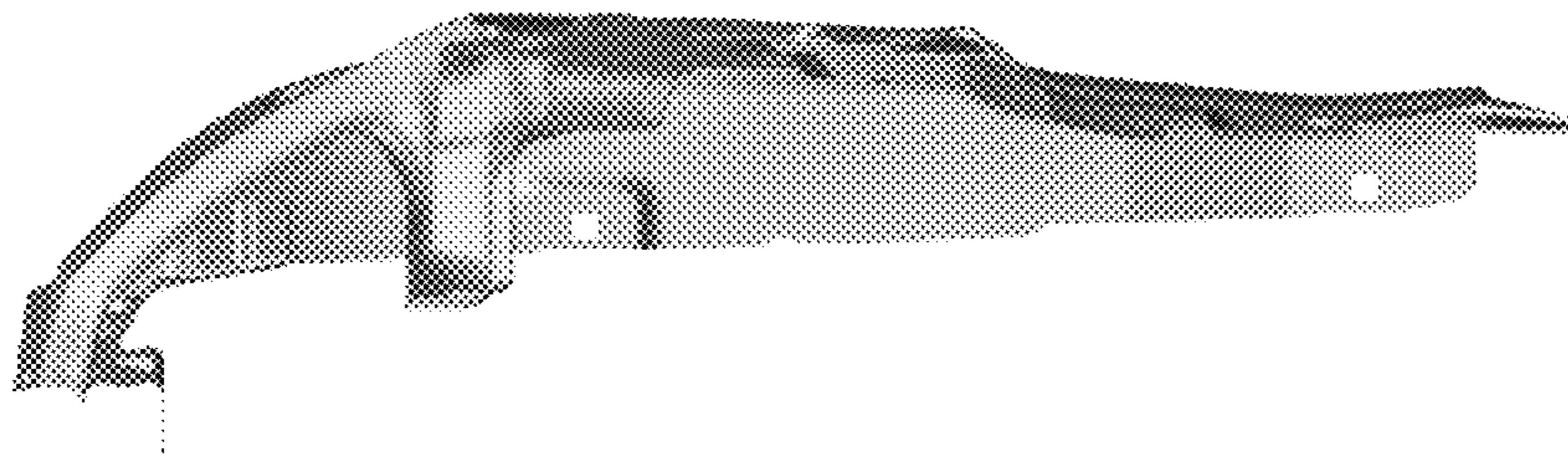


Fig. 4

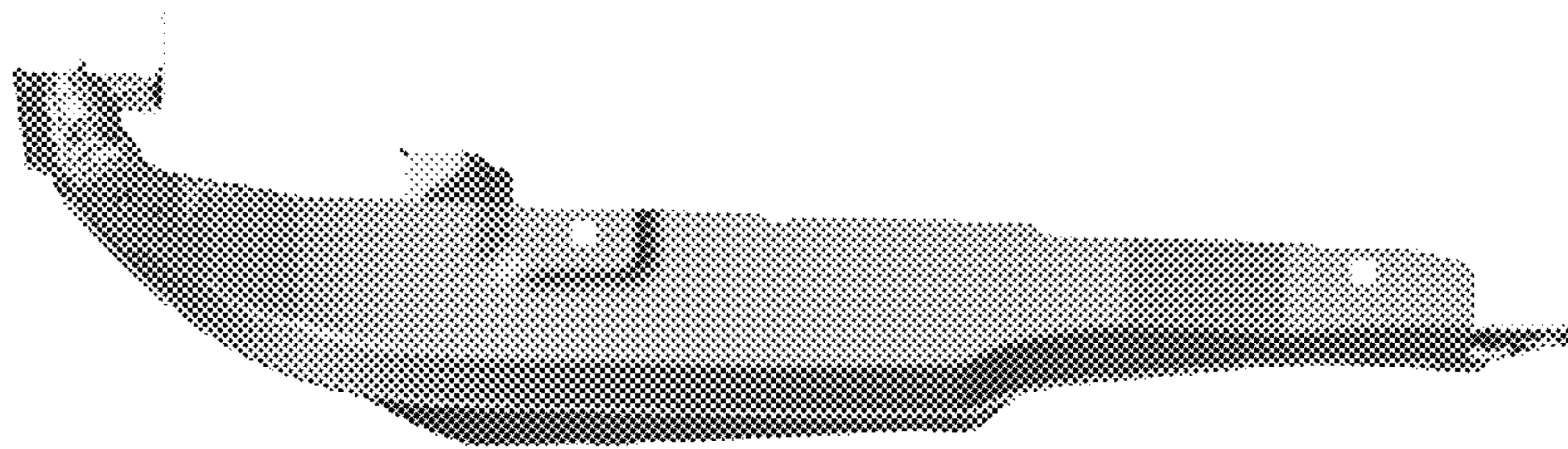


Fig. 5

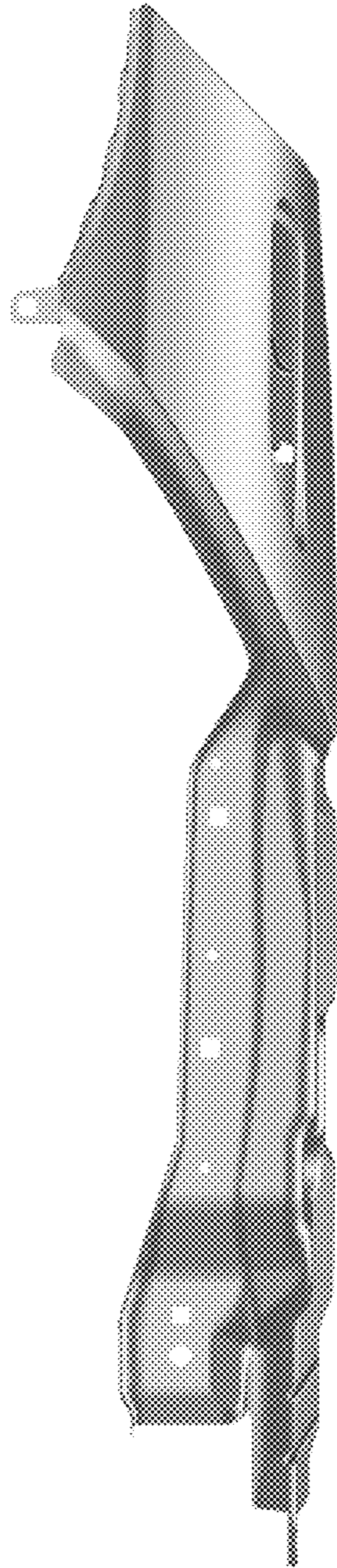


Fig. 6

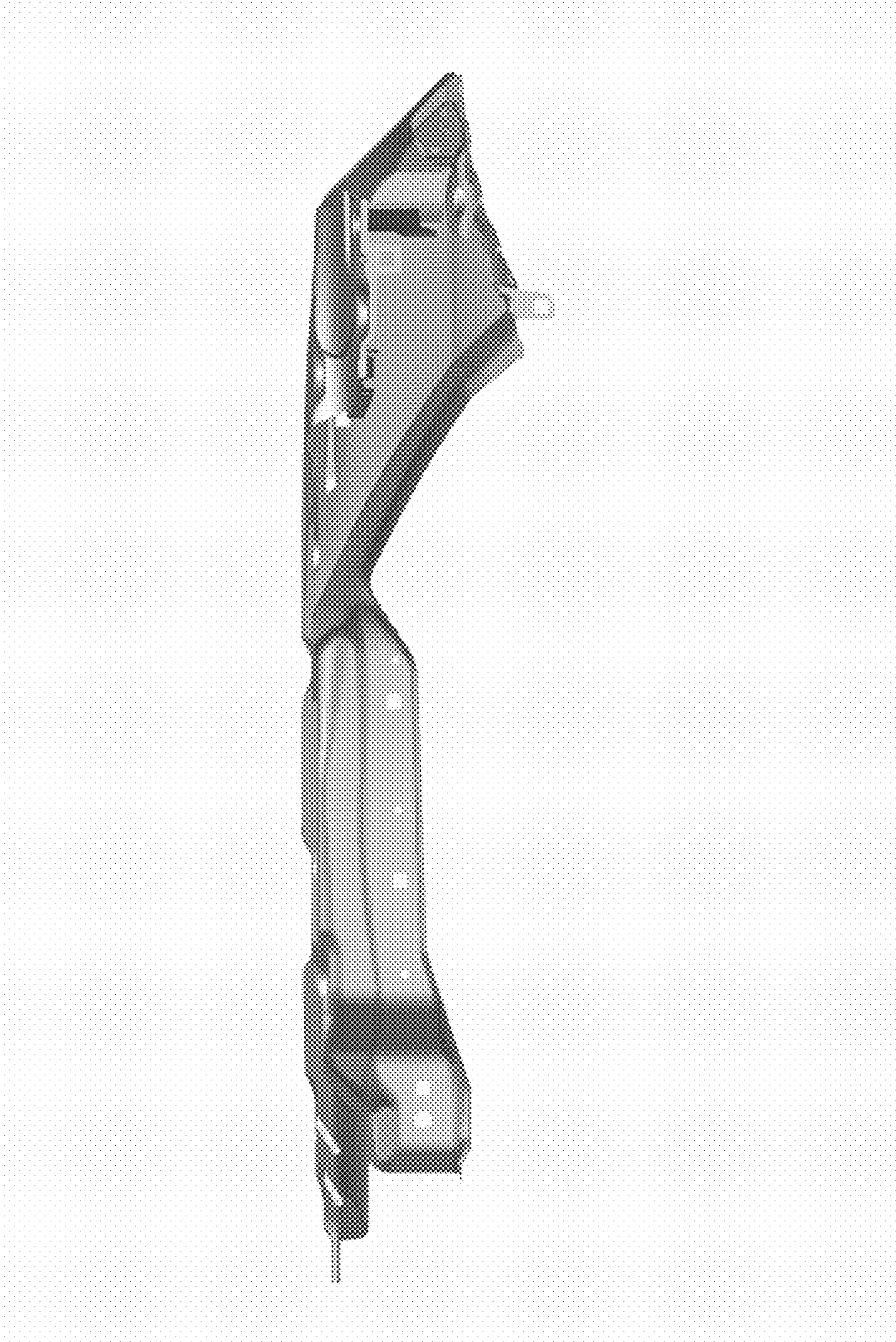


Fig. 7

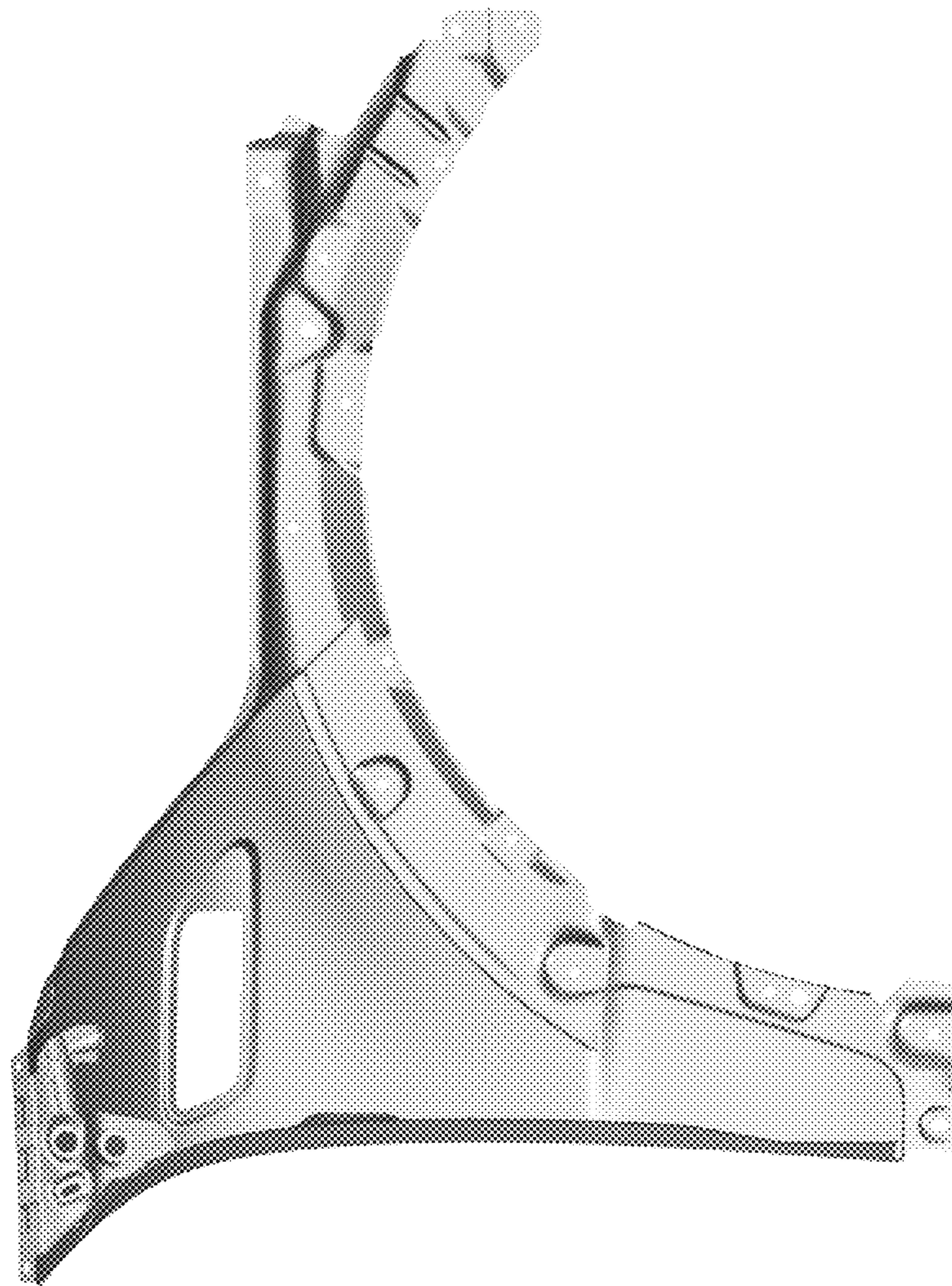


Fig. 8