



US00D766141S

(12) **United States Design Patent** (10) **Patent No.:** **US D766,141 S**
Kim (45) **Date of Patent:** **** Sep. 13, 2016**

- (54) **WHEEL FOR A STROLLER**
- (71) Applicant: **Helen of Troy Limited**, Belleville, St. Michael (BB)
- (72) Inventor: **Sunny Kim**, Astoria, NY (US)
- (73) Assignee: **Helen of Troy Limited**, Belleville, St. Michael (BB)
- (**) Term: **15 Years**
- (21) Appl. No.: **29/541,117**
- (22) Filed: **Sep. 30, 2015**
- (51) **LOC (10) Cl.** **12-12**
- (52) **U.S. Cl.**
USPC **D12/133**
- (58) **Field of Classification Search**
USPC D12/129-133, 204, 207, 208, 209, 211
CPC B62B 7/00-7/04; B62B 9/00-9/28
See application file for complete search history.

D524,196 S *	7/2006	You	D12/133
D568,726 S *	5/2008	Kohagen	D8/375
D583,300 S *	12/2008	Rancati	D12/133
D623,096 S *	9/2010	Gower	D12/129
D667,349 S *	9/2012	Jurkiewicz	D12/133
D667,761 S *	9/2012	Jurkiewicz	D12/133
D739,794 S *	9/2015	Juskowich	D12/133
D739,795 S *	9/2015	Juskowich	D12/133
D757,892 S *	5/2016	Walker	D23/213

* cited by examiner

Primary Examiner — Charles Hanson
(74) *Attorney, Agent, or Firm* — Rankin, Hill & Clark LLP

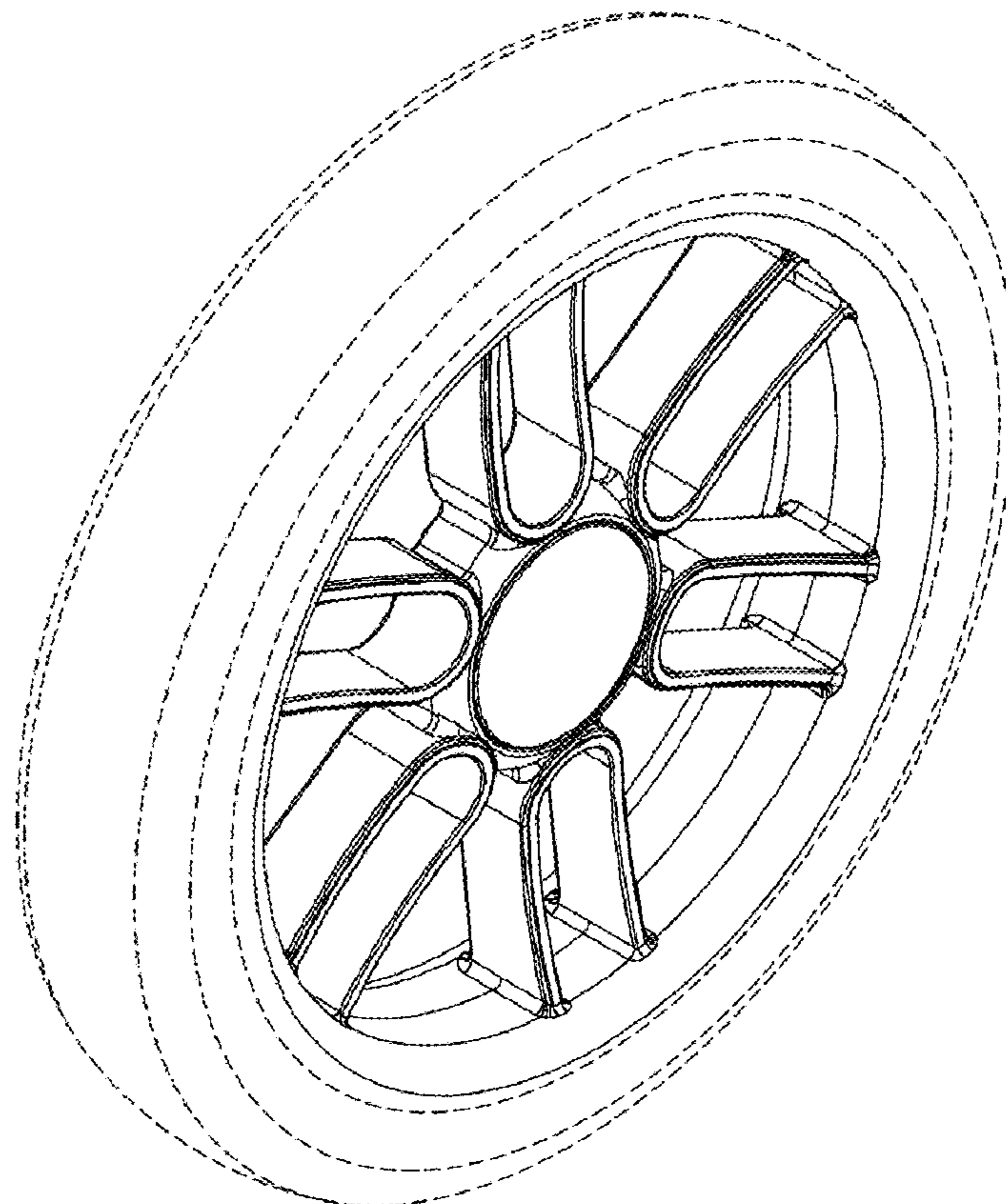
(57) **CLAIM**
The ornamental design for a wheel for a stroller, as shown and described.

DESCRIPTION

FIG. 1 is a perspective view of a wheel for a stroller; FIG. 2 is a left side elevation view thereof; FIG. 3 is another perspective view of the wheel for a stroller; FIG. 4 is a right side elevation view thereof; and, FIG. 5 is a left side elevation view thereof. The broken lines in the drawings, which illustrate environmental structure or boundaries of the wheel for a stroller, do not form a part of the claimed design.

1 Claim, 5 Drawing Sheets

- (56) **References Cited**
U.S. PATENT DOCUMENTS
D414,453 S * 9/1999 Tsai D12/133
D477,261 S * 7/2003 Lin D12/133
D486,762 S * 2/2004 He D12/506



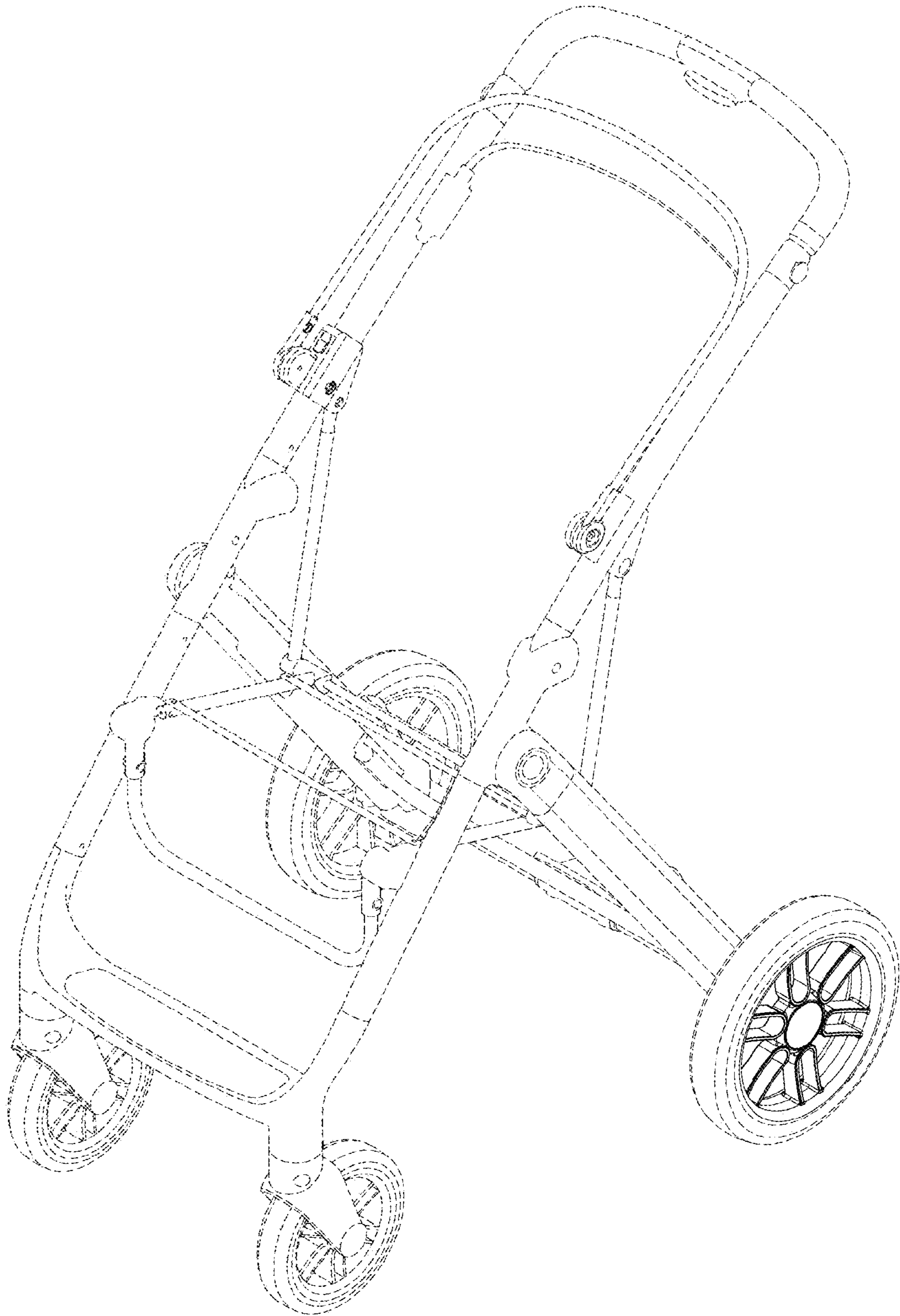


FIG. 1

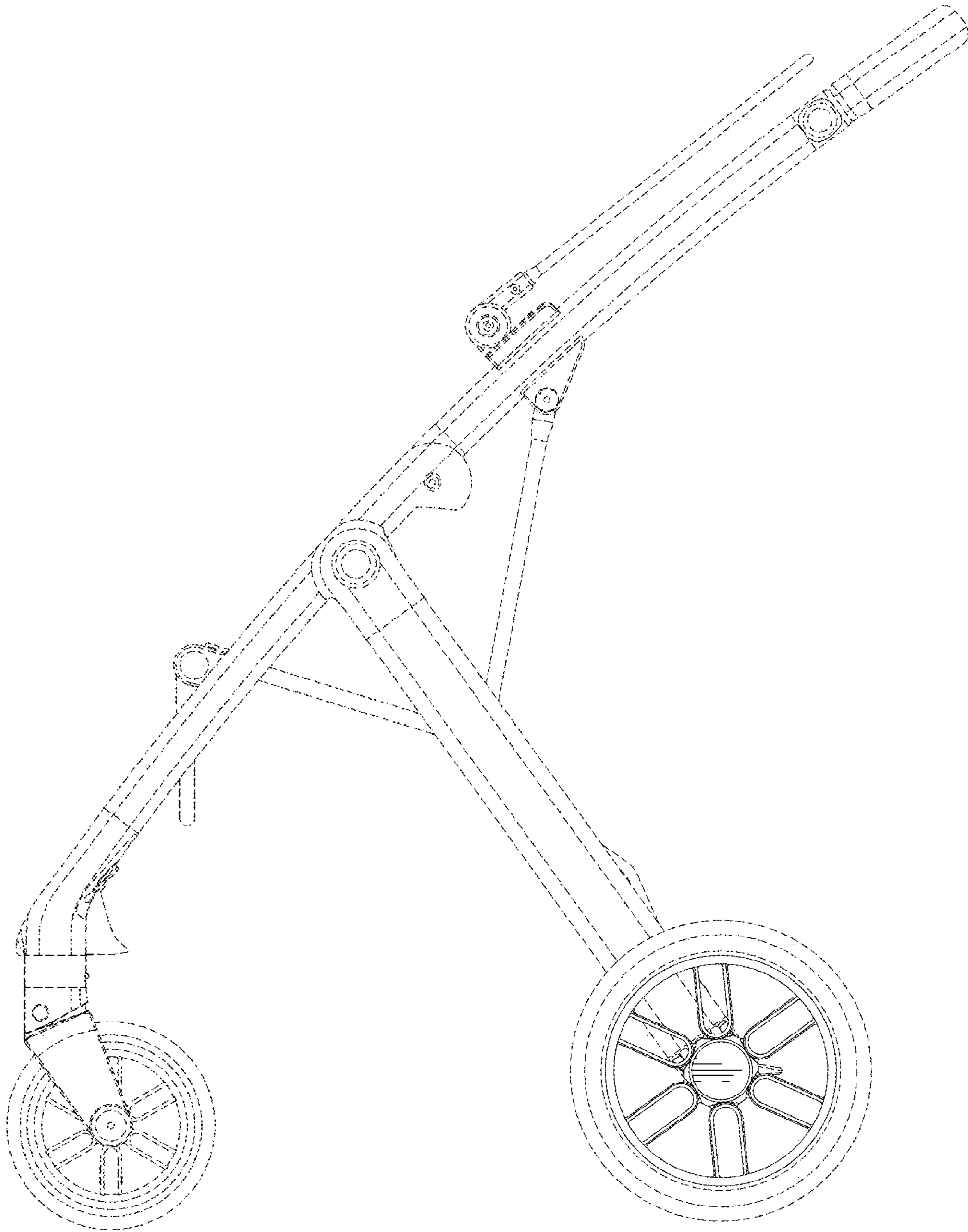


FIG. 2

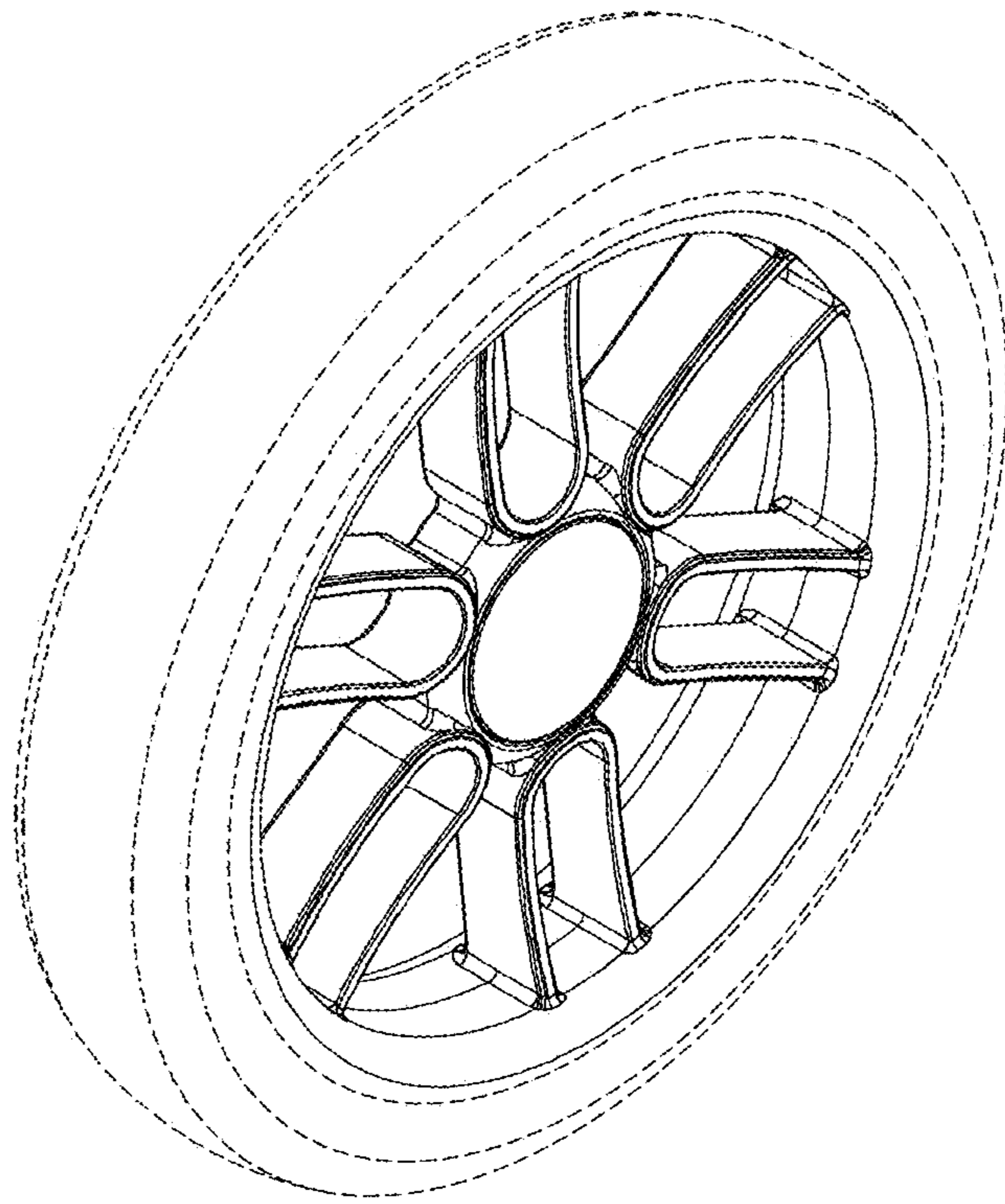


FIG. 3

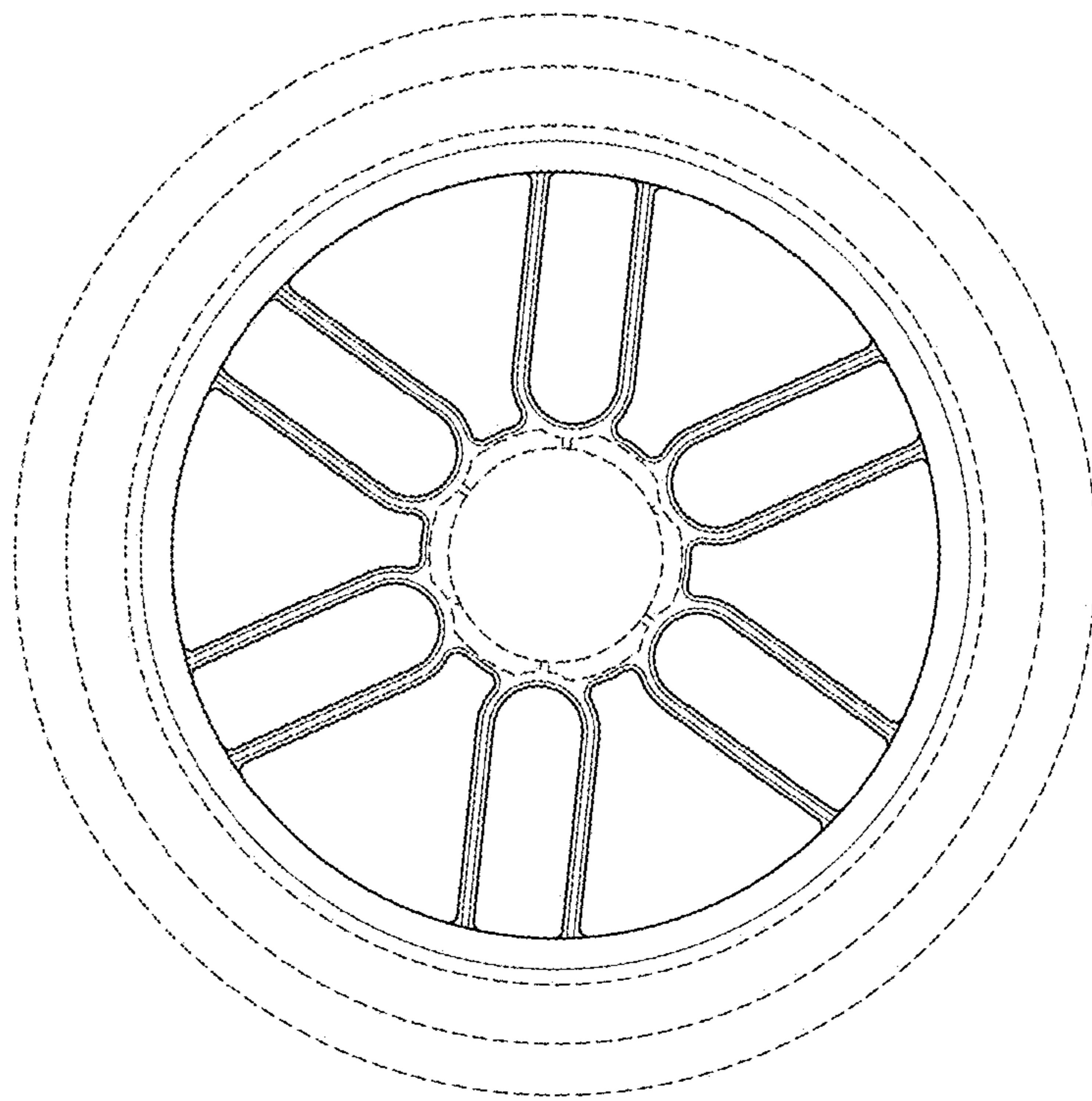


FIG.4

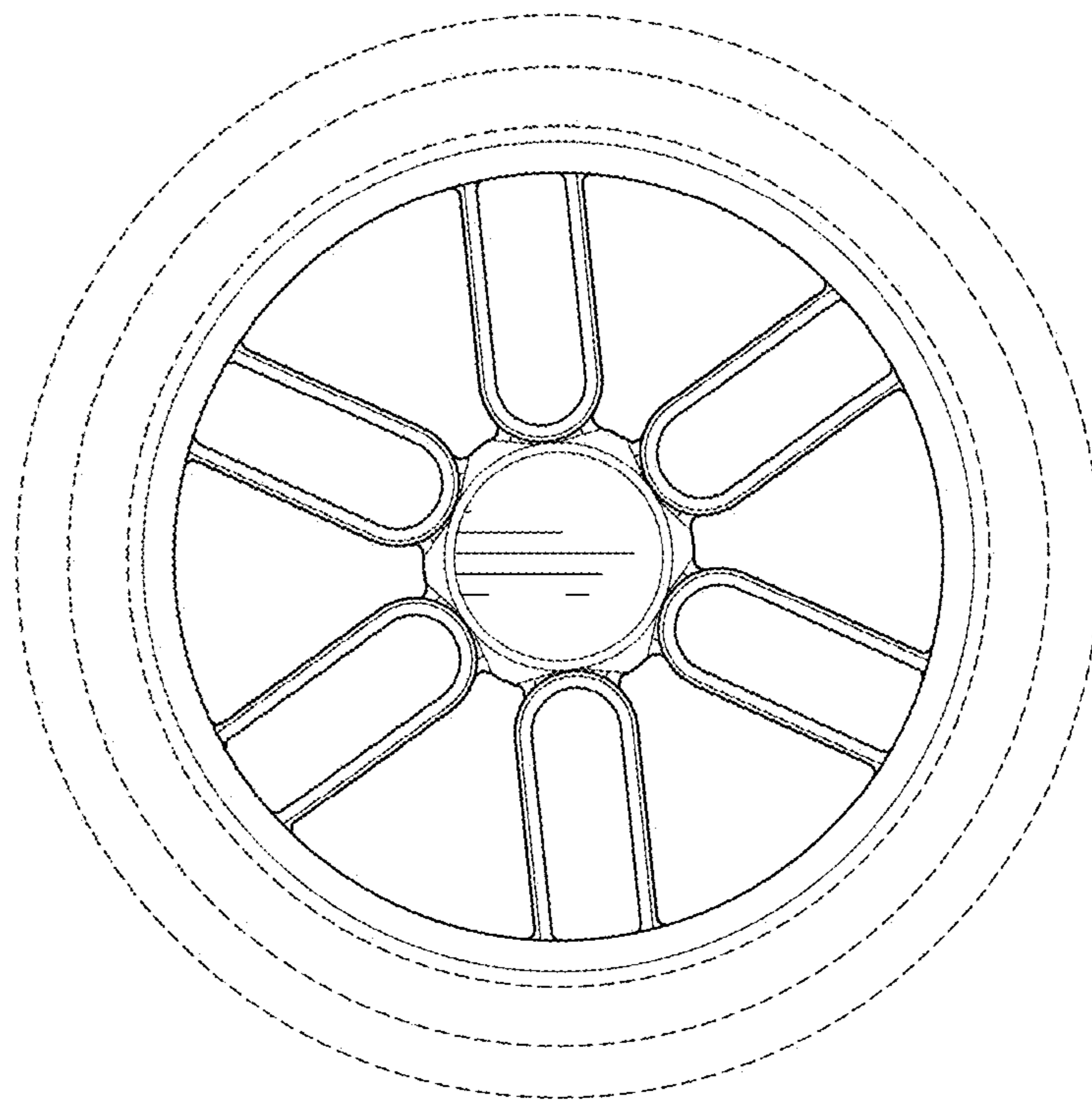


FIG.5