

US00D766140S

(12) **United States Design Patent** (10) **Patent No.:** **US D766,140 S**  
**Chun** (45) **Date of Patent:** **\*\* Sep. 13, 2016**

(54) **ADJUSTABLE TELESCOPING WHEELCHAIR HANDLE**

(71) Applicant: **Tommy Chun**, San Jose, CA (US)

(72) Inventor: **Tommy Chun**, San Jose, CA (US)

(\*\*) Term: **14 Years**

(21) Appl. No.: **29/511,672**

(22) Filed: **Dec. 12, 2014**

(51) **LOC (10) Cl.** ..... **12-12**

(52) **U.S. Cl.**  
USPC ..... **D12/133**

(58) **Field of Classification Search**  
USPC ..... D12/128–133  
CPC .. A61G 5/00–5/14; A61H 3/00; A61H 3/04;  
A61H 2003/001–2003/007; A61H 2003/043;  
A61H 2003/046  
See application file for complete search history.

(56) **References Cited**

**U.S. PATENT DOCUMENTS**

5,044,650	A *	9/1991	Eberle, Jr.	.....	A61G 5/10 280/304.1
5,141,242	A *	8/1992	Henzel	.....	A61G 5/10 280/304.1
D357,217	S *	4/1995	Shirley	.....	D12/133
D401,192	S *	11/1998	Gagnon	.....	D12/131
6,058,953	A *	5/2000	Stefanelli	.....	A45B 3/00 135/66
D506,419	S *	6/2005	Coster	.....	D12/133
D528,780	S *	9/2006	Karasin	.....	D3/10
D530,651	S *	10/2006	Shaffer	.....	D12/133
D573,861	S *	7/2008	Hammer	.....	D8/72
D573,921	S *	7/2008	Guzman	.....	D12/133
7,694,606	B1 *	4/2010	Williams	.....	A61G 5/10 74/551.3
D631,403	S *	1/2011	Knopf	.....	D12/133
D648,248	S *	11/2011	Braaten	.....	D12/133
D654,833	S *	2/2012	Pettersson	.....	D12/133
D705,134	S *	5/2014	Childs	.....	D12/133
8,919,362	B1 *	12/2014	Mortenson	.....	A45B 9/04 135/66

(Continued)

*Primary Examiner* — Charles Hanson

(74) *Attorney, Agent, or Firm* — Richard D. Clarke

(57) **CLAIM**

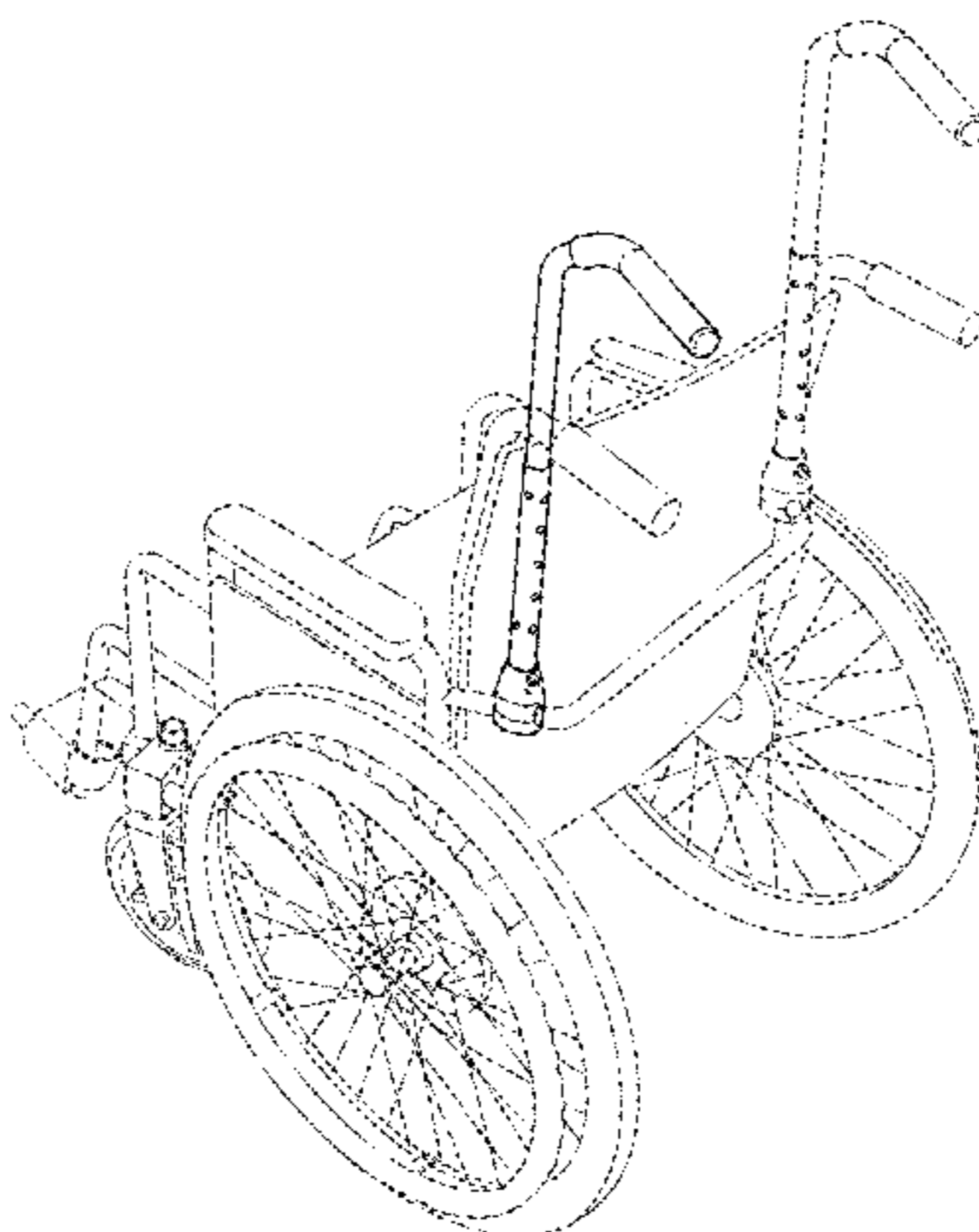
I claim the ornamental design for an adjustable telescoping wheelchair handle, as shown and described.

**DESCRIPTION**

FIG. 1 is a reduced rear, top, and right side elevation perspective, view of the adjustable telescoping wheelchair handle fully extended, in place mounted on a wheelchair; FIG. 2 is a left side elevation perspective view of the adjustable telescoping wheelchair handle fully extended; FIG. 3 is a rear view of the adjustable telescoping wheelchair handle fully extended; FIG. 4 is a right side elevation view of the adjustable telescoping wheelchair handle fully extended; FIG. 5 is a front view of the adjustable telescoping wheelchair handle fully extended; FIG. 6 is a top plan view of the adjustable telescoping wheelchair handle fully extended; FIG. 7 is a bottom plan view of the adjustable telescoping wheelchair handle fully extended; FIG. 8 is a left side elevation view of the adjustable telescoping, wheelchair handle fully retracted; FIG. 9 is a rear view of the adjustable telescoping wheelchair handle fully retracted; FIG. 10 is a top plan view of the adjustable telescoping wheelchair handle fully retracted; FIG. 11 is a right side elevation view of the adjustable telescoping wheelchair handle fully retracted; FIG. 12 is a bottom plan view of the adjustable telescoping wheelchair handle fully retracted; FIG. 13 is a front view of the adjustable telescoping wheelchair handle fully retracted; and, FIG. 14 is an enlarged exploded partial bottom, rear perspective view of the adjustable telescoping wheelchair handle base mount showing assembly of the base mount parts.

The broken lines shown in FIG. 1 illustrate environmental structure for the wheelchair that the adjustable telescoping wheelchair handle is mounted to, and forms no part of the claimed design.

**1 Claim, 3 Drawing Sheets**



# US D766,140 S

Page 2

---

(56)

## References Cited

### U.S. PATENT DOCUMENTS

D720,664 S *	1/2015	Wang	.....	D12/133	
D720,666 S *	1/2015	Farmer	.....	D12/133	* cited by examiner
D747,238 S *	1/2016	Mascull	.....	D12/133	
2012/0060878 A1 *	3/2012	Thiessens	.....	A45B 1/04 135/66	

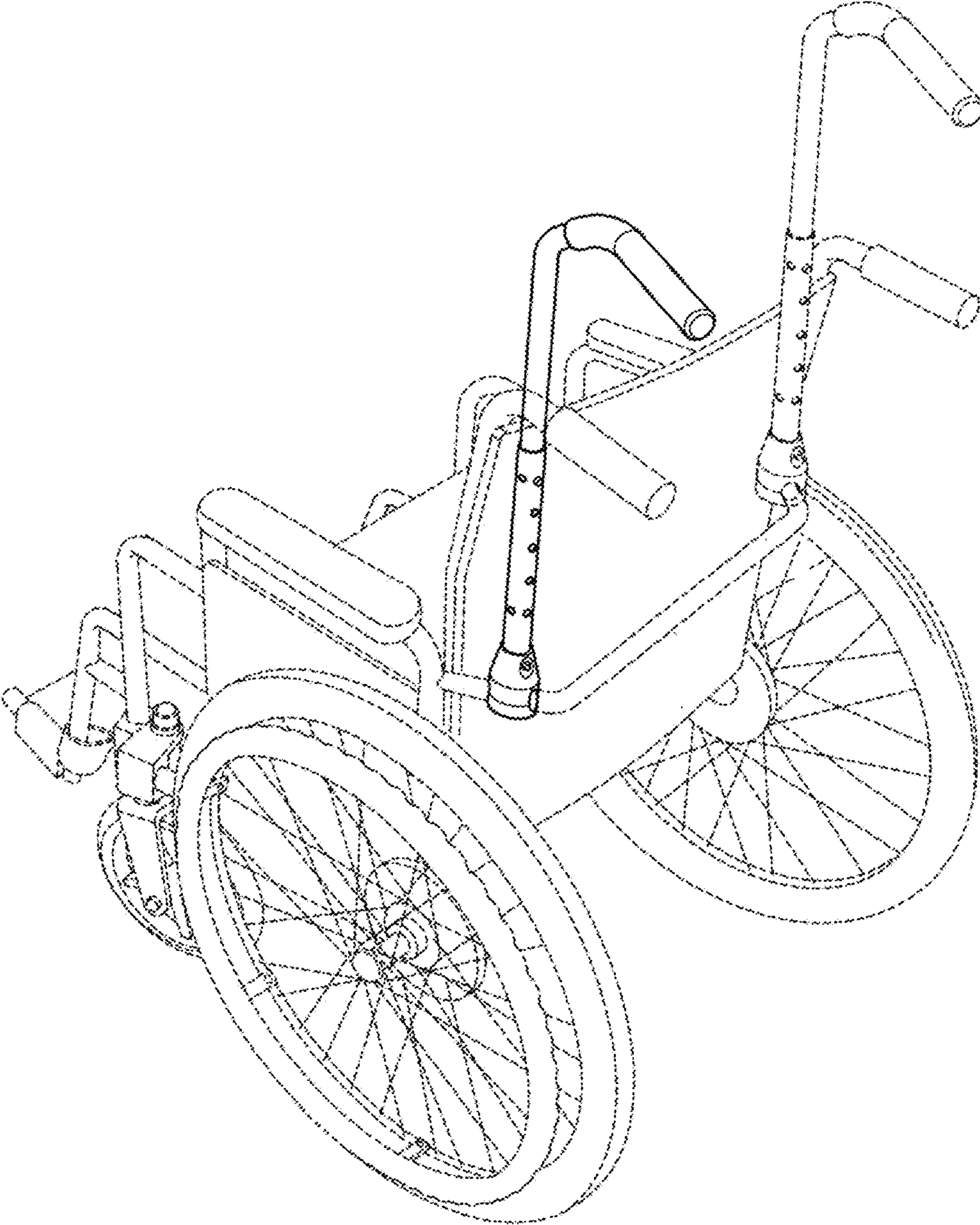


FIG. 1

