



US00D766139S

(12) **United States Design Patent**  
**Chen**

(10) **Patent No.:** **US D766,139 S**

(45) **Date of Patent:** **\*\* Sep. 13, 2016**

(54) **FOUR-WHEEL CART**

(71) Applicant: **Zhicheng Chen**, Guangdong (CN)

(72) Inventor: **Zhicheng Chen**, Guangdong (CN)

(\*\*) Term: **15 Years**

(21) Appl. No.: **29/546,227**

(22) Filed: **Nov. 19, 2015**

(51) **LOC (10) Cl.** ..... **12-12**

(52) **U.S. Cl.**  
USPC ..... **D12/130**

(58) **Field of Classification Search**  
USPC ..... D12/128-133  
CPC ..... A61H 3/00; A61H 3/04; A61H  
2003/001-2003/007; A61H 2003/043; A61H  
2003/046  
See application file for complete search history.

(56) **References Cited**

**U.S. PATENT DOCUMENTS**

8,851,502	B2 *	10/2014	Gaudiano	.....	A61H 3/04 135/67
8,936,262	B2 *	1/2015	Nabeta	.....	A61H 3/04 135/67
8,998,223	B2 *	4/2015	Chang	.....	F16D 59/02 188/20
D739,314	S *	9/2015	Wang	.....	D12/130
9,173,802	B2 *	11/2015	Willis	.....	A61H 3/04
2002/0153684	A1 *	10/2002	Sung	.....	A61H 3/04 280/87.021

2004/0079405	A1 *	4/2004	Sanders	.....	A61H 3/04 135/67
2004/0104559	A1 *	6/2004	Chen	.....	A61H 3/04 280/642
2005/0001398	A1 *	1/2005	Serhan	.....	A61H 3/04 280/87.01
2007/0170699	A1 *	7/2007	Li	.....	A61H 3/04 280/642
2007/0267054	A1 *	11/2007	Meyers	.....	A61H 3/04 135/67
2008/0111349	A1 *	5/2008	Willis	.....	A61H 3/04 280/648
2009/0033052	A1 *	2/2009	Bradshaw	.....	A61H 3/04 280/87.021

\* cited by examiner

*Primary Examiner* — Charles Hanson

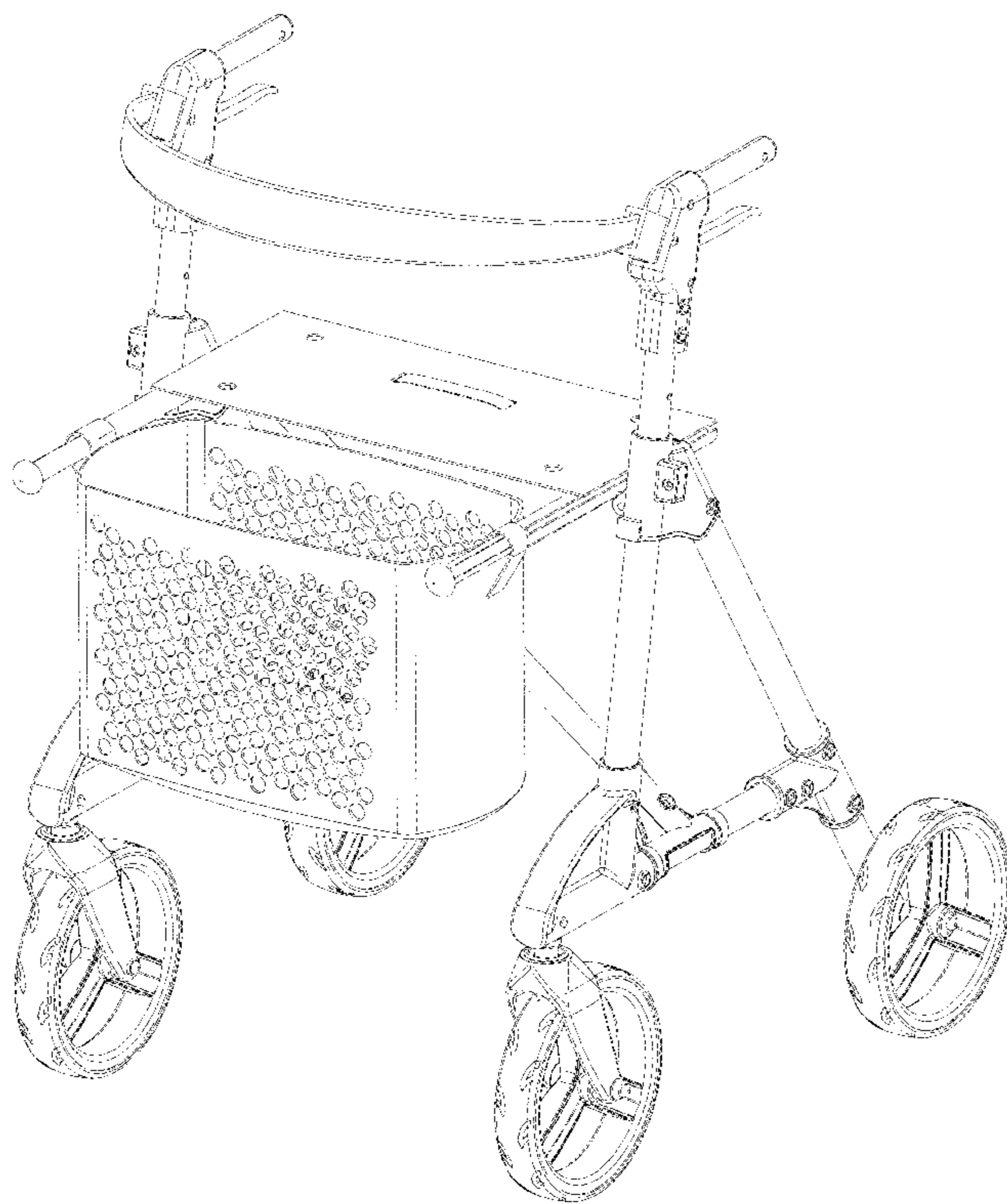
(57) **CLAIM**

The ornamental design for a four-wheel cart, as shown and described.

**DESCRIPTION**

FIG. 1 is a perspective view of the four-wheel cart showing my new design;  
FIG. 2 is another perspective view thereof;  
FIG. 3 is a front elevation view thereof;  
FIG. 4 is a back elevation view thereof;  
FIG. 5 is a left elevation view thereof;  
FIG. 6 is a right elevation view thereof;  
FIG. 7 is a top view thereof; and,  
FIG. 8 is a bottom view thereof.

**1 Claim, 8 Drawing Sheets**



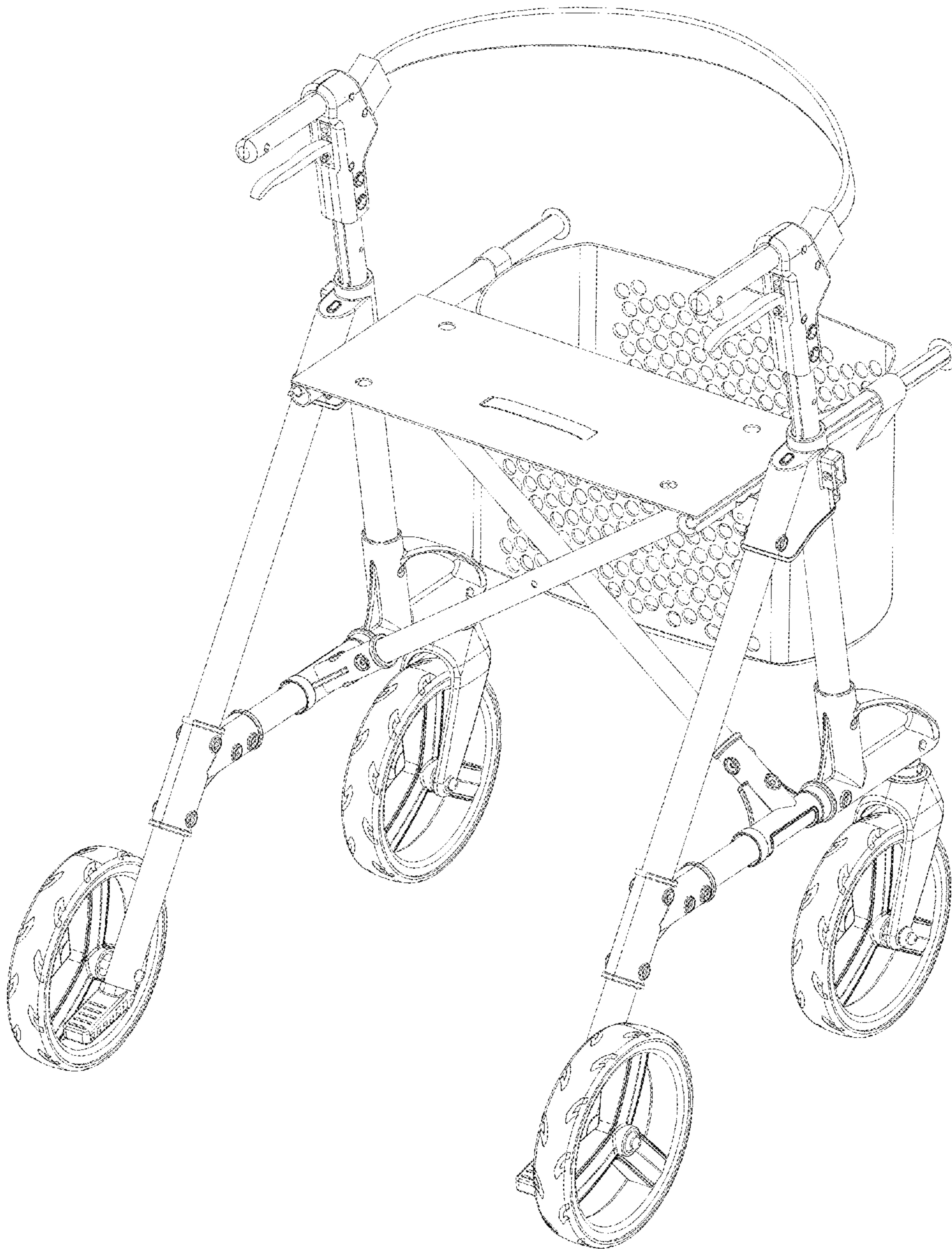


Fig. 1

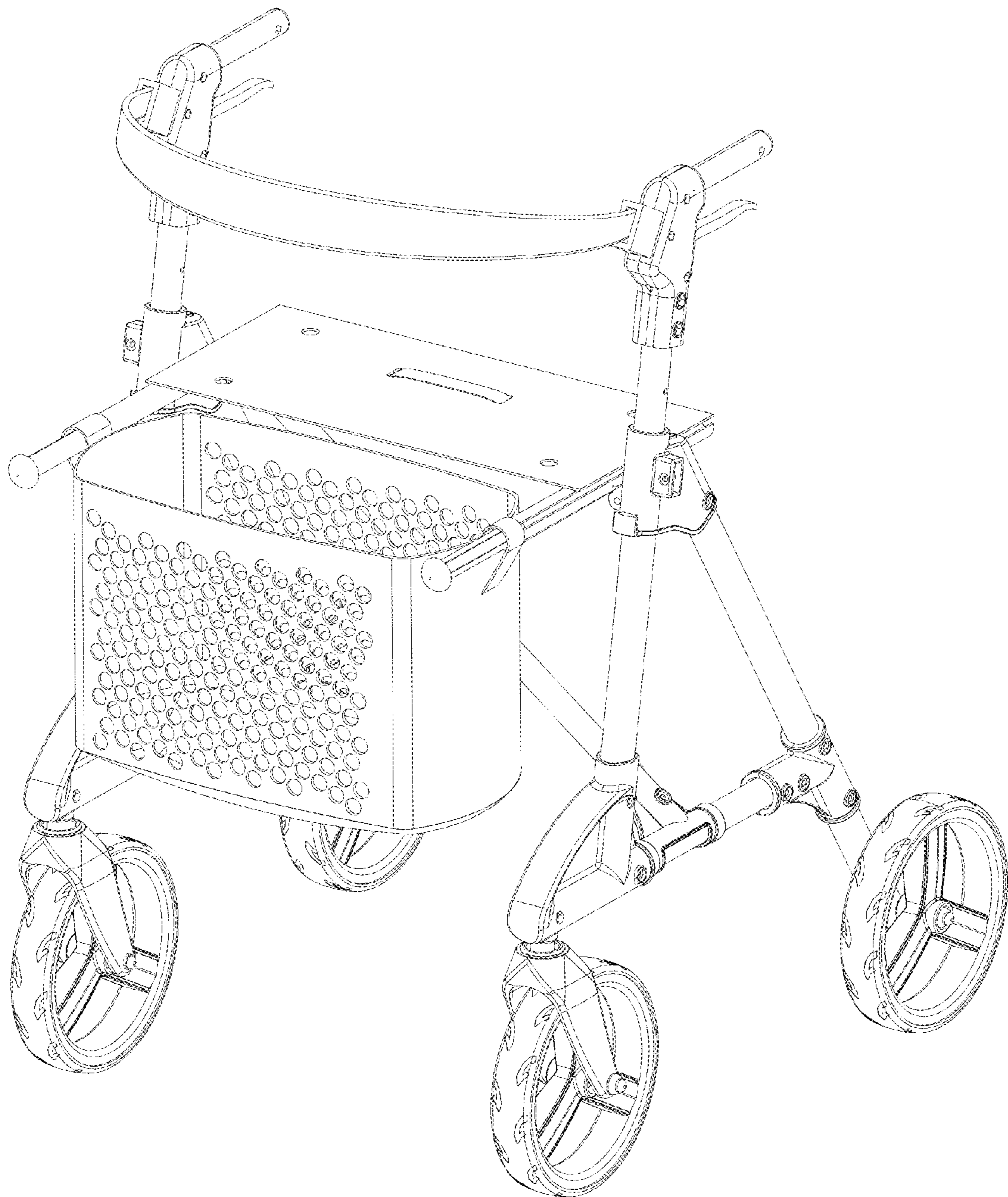


Fig. 2

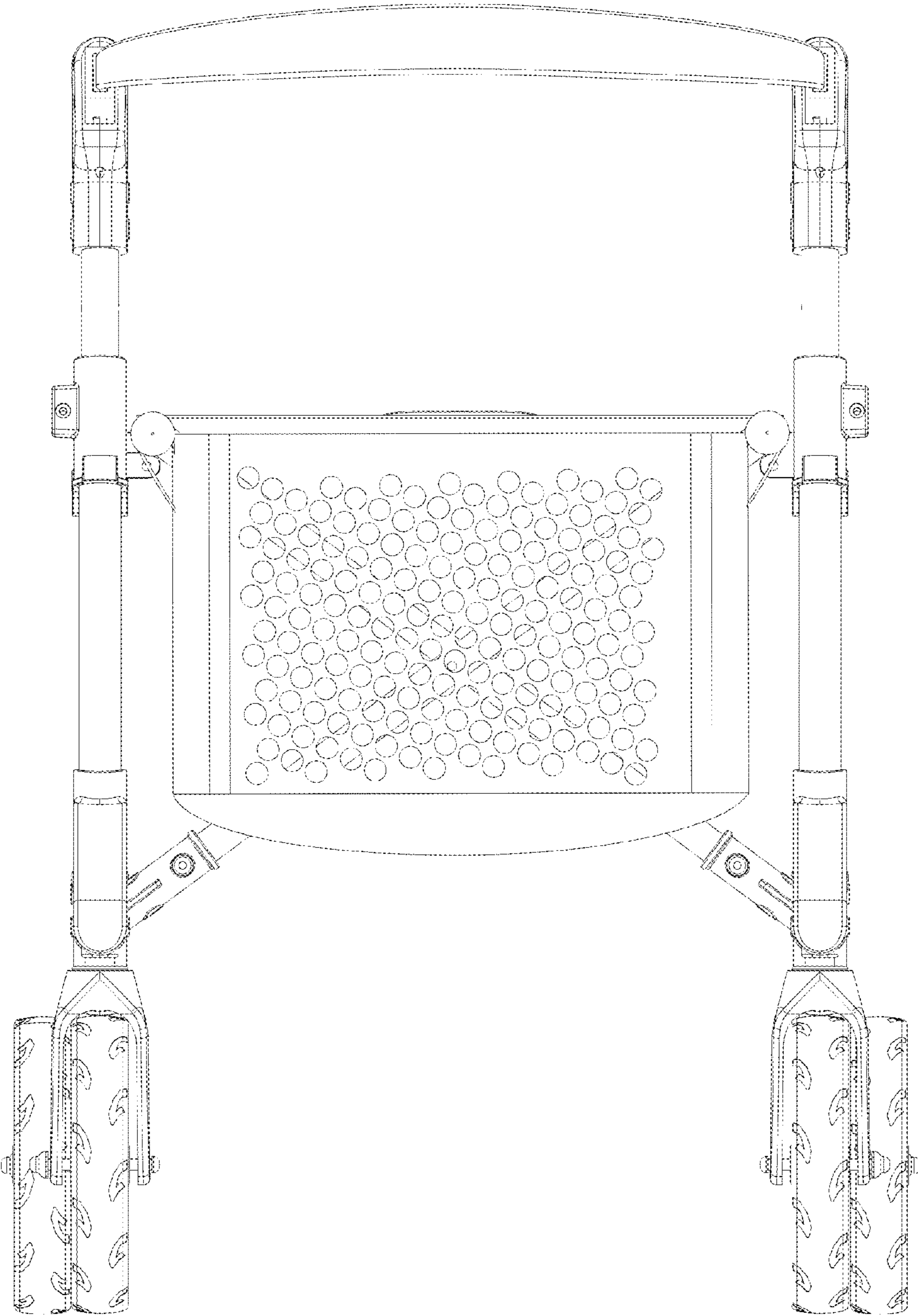


Fig. 3

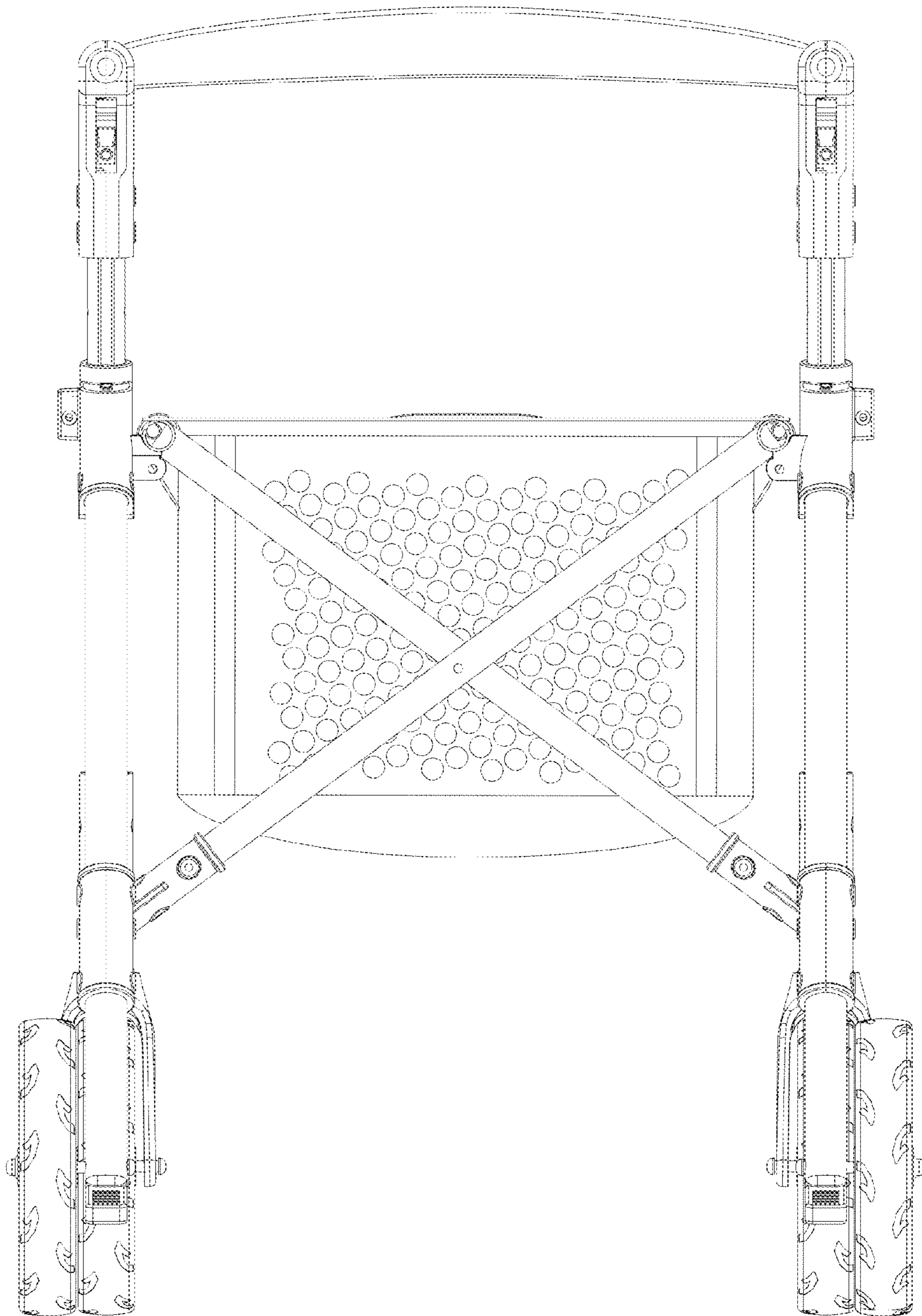


Fig. 4

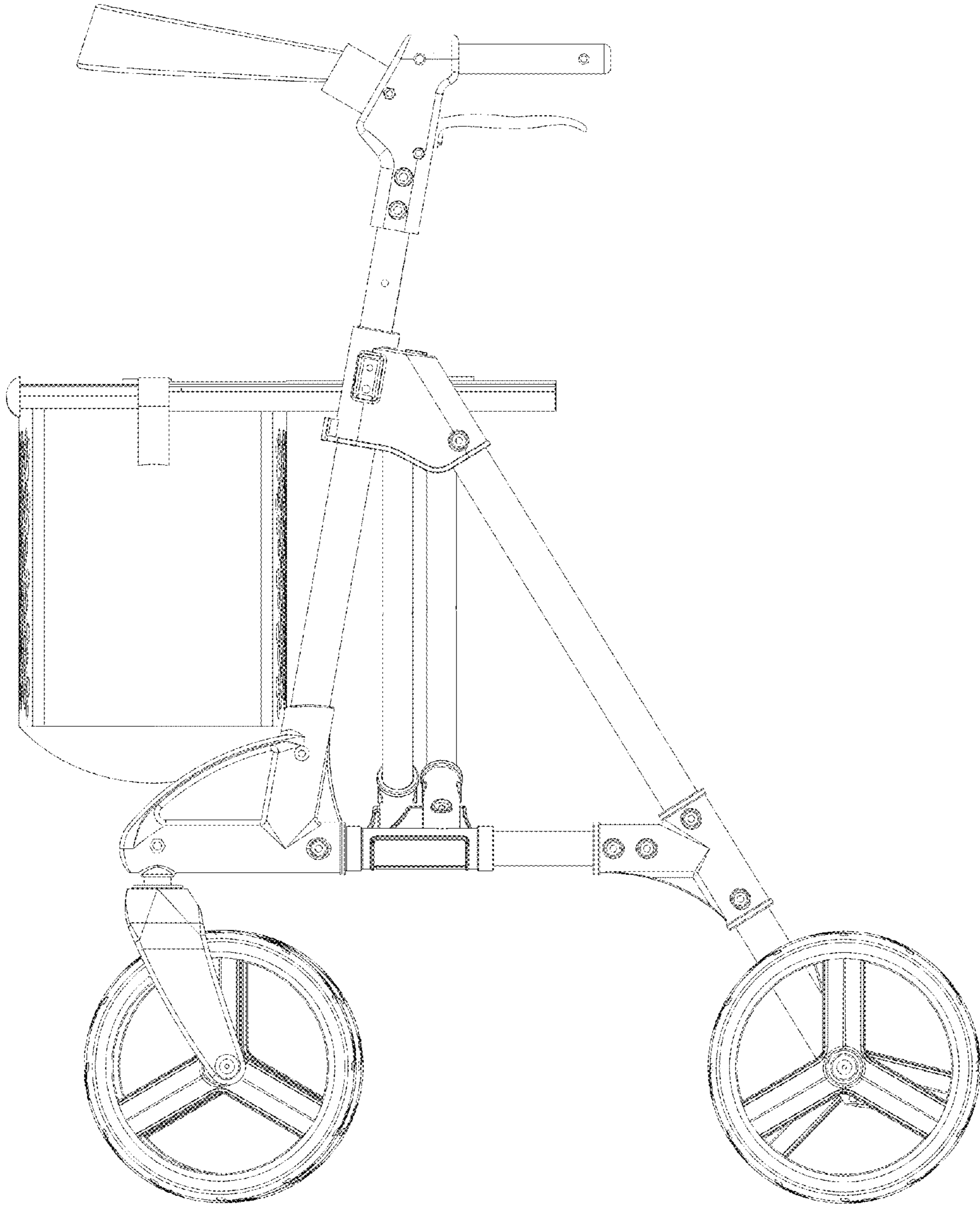


Fig. 5

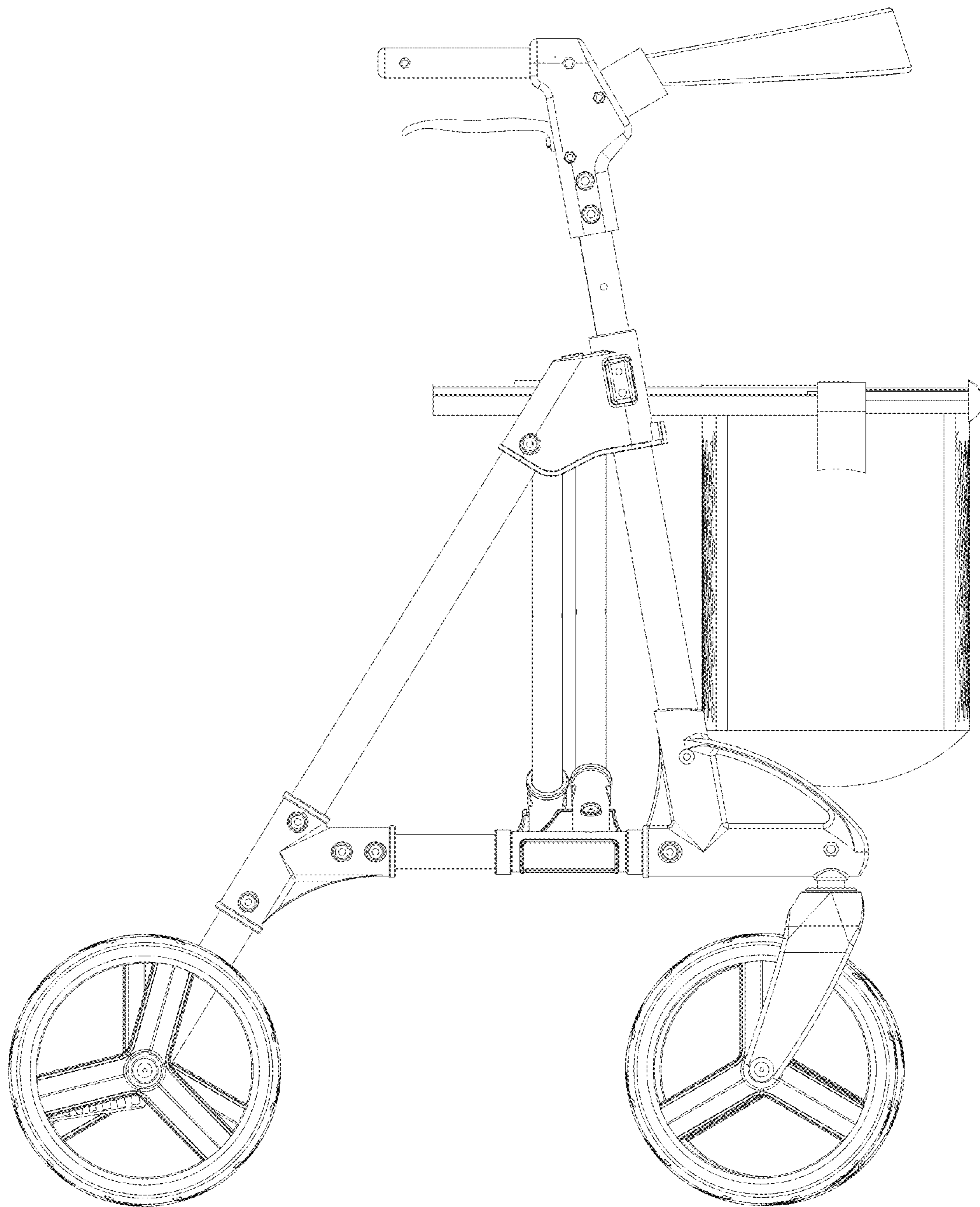


Fig. 6

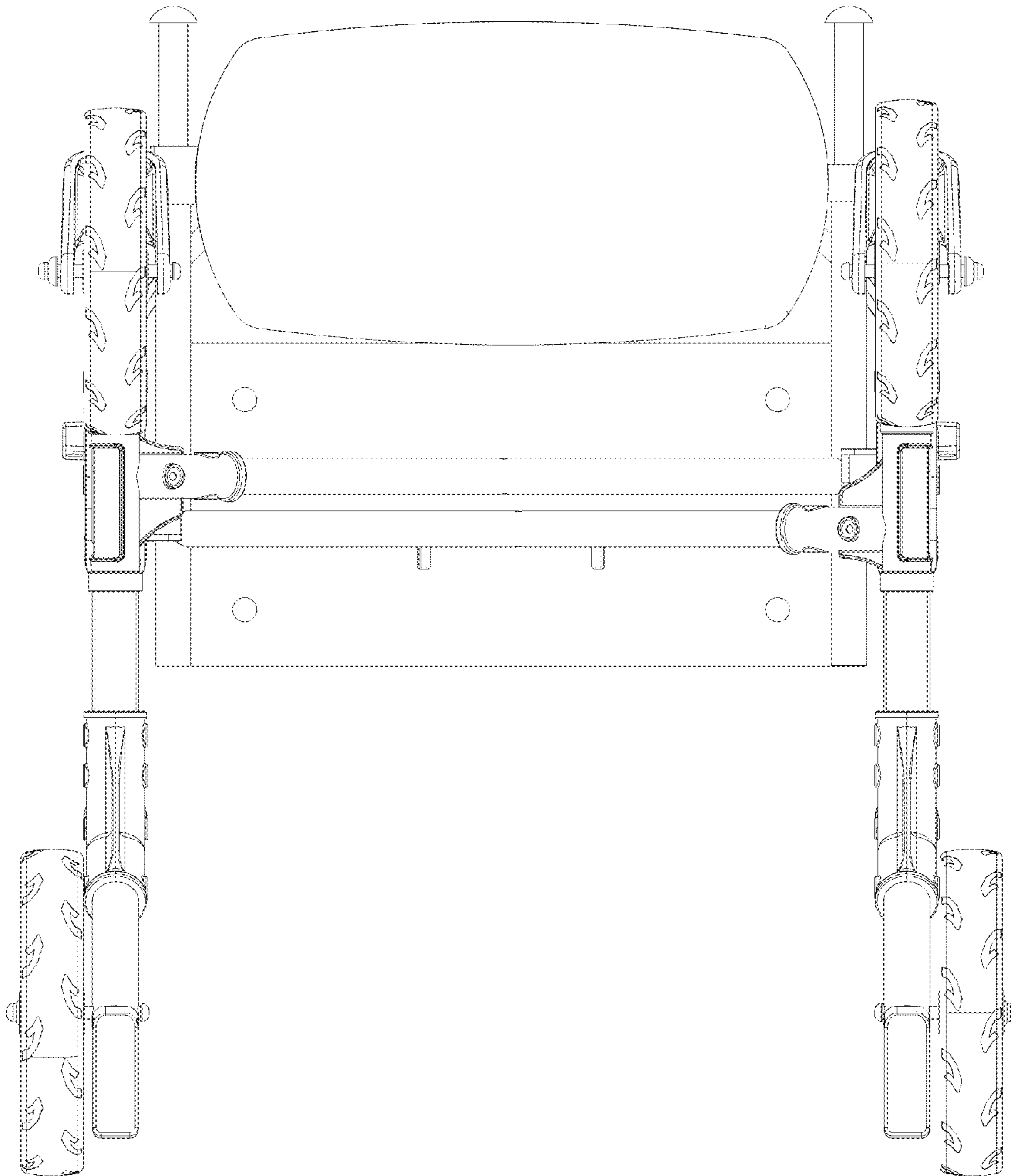


Fig. 7



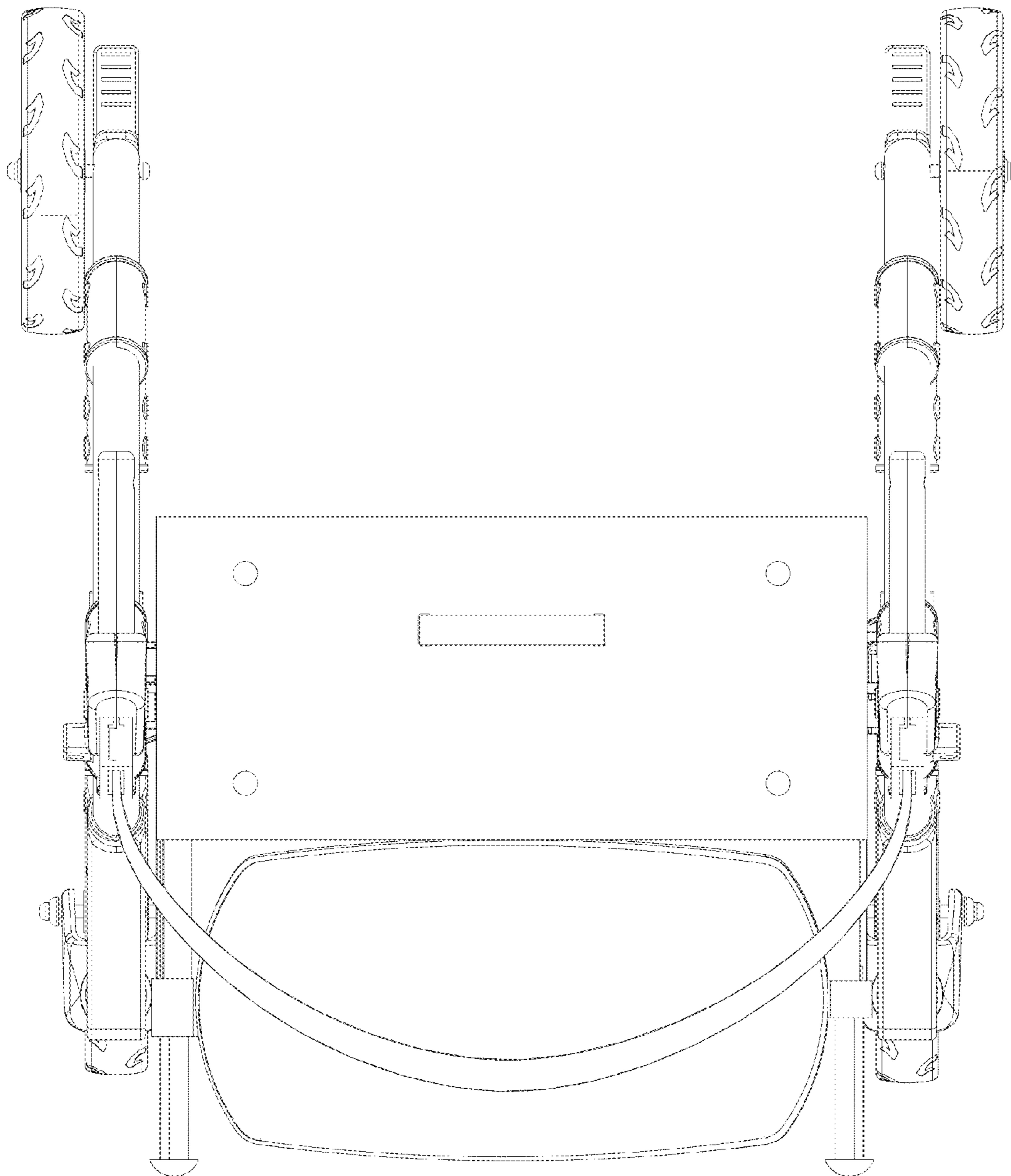


Fig. 8