



US00D766138S

(12) **United States Design Patent** (10) **Patent No.:** **US D766,138 S**
Arbour et al. (45) **Date of Patent:** **** Sep. 13, 2016**

(54) **BASE STATION FOR A BICYCLE SHARING SYSTEM**

(71) Applicant: **TECHNOLOGIES BEWEGEN INC.**,
St-Georges, Beauce (CA)

(72) Inventors: **Dominic Arbour**, Montreal (CA);
Michel Dallaire, Montreal (CA); **Colin Cote**, Montreal (CA)

(73) Assignee: **TECHNOLOGIES BEWEGEN INC.**,
Saint-Georges (CA)

(**) Term: **14 Years**

(21) Appl. No.: **29/499,565**

(22) Filed: **Aug. 15, 2014**

(51) **LOC (10) Cl.** **12-11**

(52) **U.S. Cl.**
USPC **D12/115**

(58) **Field of Classification Search**
USPC D12/115, 120; 211/5, 17-22; 280/293;
224/42.11, 42.12, 42.13, 42.26, 309,
224/324, 325, 533, 545, 924; 248/176.1,
248/309.1

CPC B62H 3/00; B62H 3/10; B62D 43/02;
B60R 9/06; F16M 13/00

See application file for complete search history.

(56) **References Cited**

U.S. PATENT DOCUMENTS

D302,803	S *	8/1989	Villanueva	D12/115
5,841,351	A	11/1998	Rey		
5,917,407	A *	6/1999	Squire	B62H 3/00 194/205
6,006,850	A	12/1999	Yu		
6,081,205	A	6/2000	Williams et al.		
6,249,744	B1	6/2001	Morita		
D456,316	S *	4/2002	Will	D12/115
6,371,230	B1	4/2002	Ciarla et al.		
6,384,717	B1	5/2002	DeVolpi		
6,978,162	B2	12/2005	Russell et al.		

7,034,665	B2	4/2006	Kojika		
7,281,399	B2	10/2007	Gagosz		
7,468,667	B2	12/2008	Moffett		
7,471,191	B2	12/2008	Le Gars et al.		
D593,006	S *	5/2009	Dallaire	D12/115
D594,787	S	6/2009	Dallaire		
D595,618	S *	7/2009	Dallaire	D12/115
D595,646	S	7/2009	McConnell		
D597,896	S	8/2009	Dallaire		
D600,201	S	9/2009	Dallaire		
7,631,885	B2	12/2009	Safarik et al.		
7,726,160	B2	6/2010	Gagosz et al.		
7,729,822	B2	6/2010	Le Gars et al.		
D626,493	S	11/2010	Dallaire et al.		
7,869,576	B1	1/2011	Rodkey et al.		

(Continued)

FOREIGN PATENT DOCUMENTS

EP	2639144	9/2013
FR	2764261	12/1998

Primary Examiner — Philip S Hyder
Assistant Examiner — Darlington Ly

(74) *Attorney, Agent, or Firm* — Norton Rose Fulbright
Canada LLP

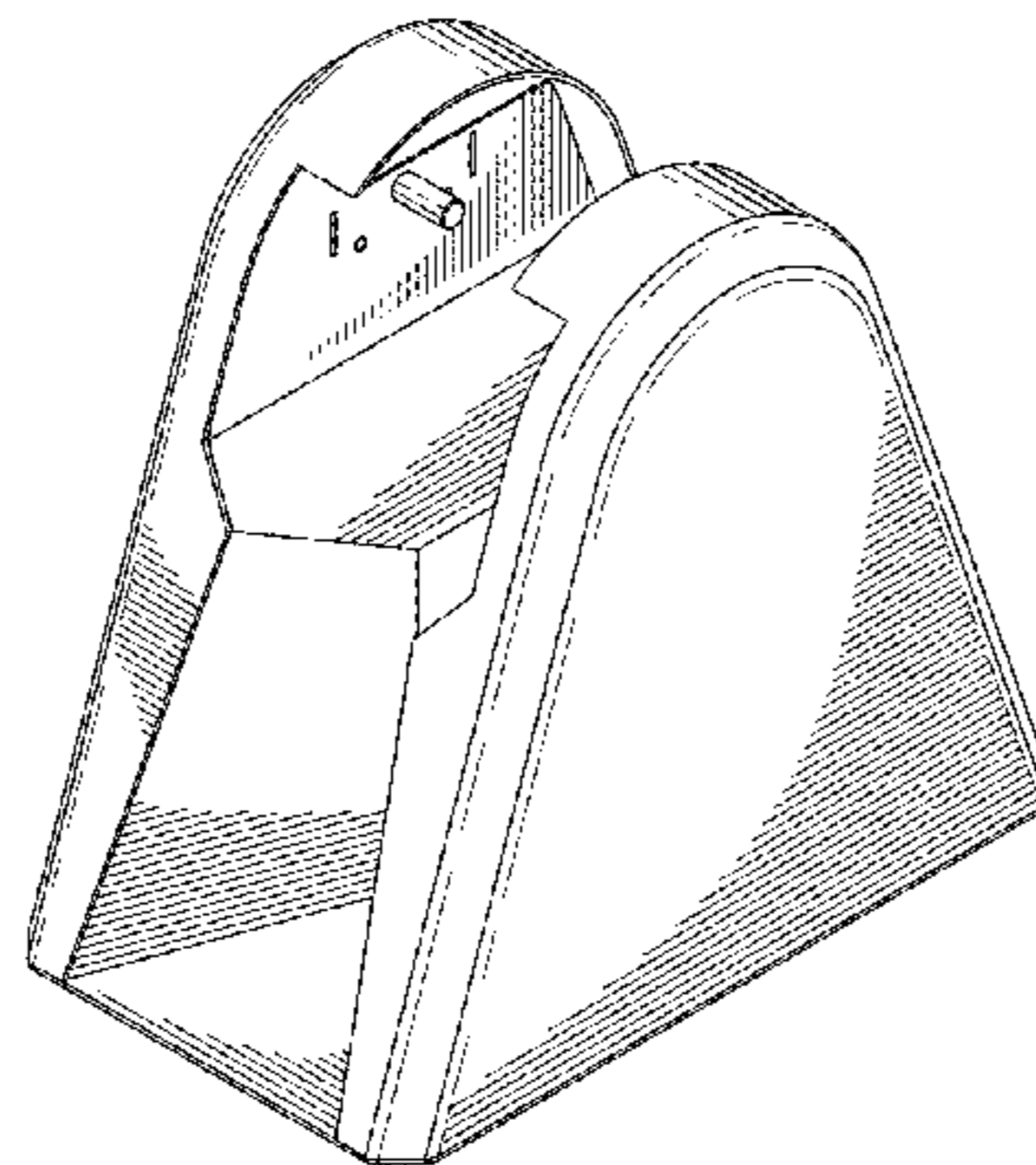
(57) **CLAIM**

The ornamental design for a base station for a bicycle sharing system, as shown and described.

DESCRIPTION

FIG. 1 is a perspective view of a base station for a bicycle sharing system, in accordance with our new design; FIG. 2 is a front elevation view thereof; FIG. 3 is a left side elevation view thereof; FIG. 4 is a right side elevation view thereof; FIG. 5 is a rear elevation view thereof; FIG. 6 is a top plan view thereof; and, FIG. 7 is a bottom plan view thereof. The broken lines in the drawings illustrate portions of the base station for a bicycle sharing system that forms no part of the claimed design.

1 Claim, 4 Drawing Sheets



(56)

References Cited

U.S. PATENT DOCUMENTS

D632,617 S *	2/2011	Kritzer	D12/115	2008/0042811 A1	2/2008	Le Gars	
D634,249 S	3/2011	Dallaire		2008/0135321 A1	6/2008	Ripple et al.	
D634,674 S *	3/2011	Finbow	D12/115	2008/0174431 A1	7/2008	Rodgers	
7,898,439 B2	3/2011	Bettez et al.		2008/0297108 A1	12/2008	Le Gars	
7,920,054 B2	4/2011	Chen et al.		2009/0157289 A1	6/2009	Graessley et al.	
7,946,432 B1	5/2011	Swanson et al.		2009/0181826 A1	7/2009	Turner	
7,976,048 B2	7/2011	Bartolome Garcia et al.		2009/0201127 A1	8/2009	Stobbe et al.	
8,013,569 B2	9/2011	Hartman		2009/0240575 A1	9/2009	Bettez et al.	
8,061,499 B2	11/2011	Khairallah		2009/0266673 A1*	10/2009	Dallaire	B62H 3/02 194/205
8,119,968 B2	2/2012	Bigolin		2009/0315737 A1	12/2009	Gilmour	
8,121,785 B2	2/2012	Swisher et al.		2010/0079266 A1	4/2010	Holt	
8,272,491 B2	9/2012	Khairallah		2010/0117863 A1	5/2010	Dutt	
D668,216 S	10/2012	Dallaire		2010/0228405 A1	9/2010	Morgal et al.	
8,280,619 B2	10/2012	Watkins		2010/0313614 A1	12/2010	Rzepecki	
8,319,091 B2	11/2012	Lyden		2011/0015814 A1	1/2011	Starr et al.	
D673,902 S	1/2013	Dallaire		2011/0037240 A1	2/2011	Krintzae	
8,364,388 B2	1/2013	Naito		2011/0115193 A1	5/2011	Giroux	
8,364,389 B2	1/2013	Dorogusker et al.		2011/0121538 A1	5/2011	Giroux	
8,375,655 B1	2/2013	Welschholz		2011/0148346 A1	6/2011	Gagosz et al.	
8,432,270 B2	4/2013	Lee et al.		2011/0161141 A1	6/2011	Bettez et al.	
8,437,873 B2	5/2013	North		2011/0226708 A1	9/2011	Mercat	
8,438,946 B2	5/2013	Giroux		2011/0307394 A1	12/2011	Rzepecki	
8,448,971 B2	5/2013	Giroux		2012/0042725 A1	2/2012	Cote et al.	
8,504,236 B2	8/2013	Guo et al.		2012/0086183 A1	4/2012	Ken	
8,508,333 B2	8/2013	Kanof		2012/0109511 A1	5/2012	Swisher et al.	
8,517,162 B2	8/2013	Khairallah		2012/0196631 A1	8/2012	Fajstrup Axelsen	
8,536,993 B2	9/2013	Ayotte et al.		2012/0239248 A1	9/2012	Bobbitt	
8,538,688 B2	9/2013	Prehofer		2012/0313568 A1	12/2012	Paluszek et al.	
8,577,528 B2	11/2013	Uyeki et al.		2013/0031121 A1	1/2013	Sera et al.	
8,630,791 B2	1/2014	Yuasa		2013/0042542 A1	2/2013	Welschholz	
8,678,205 B2	3/2014	Mercat		2013/0049674 A1	2/2013	Davis	
8,706,404 B2	4/2014	Crane		2013/0063283 A1	3/2013	Kashima	
8,710,791 B2	4/2014	Gochenaur		2013/0073428 A1	3/2013	Thramann	
8,725,410 B2	5/2014	Ando et al.		2013/0076294 A1	3/2013	Smith	
8,738,212 B1	5/2014	Schieffelin		2013/0076295 A1	3/2013	Tsai et al.	
9,169,673 B2*	10/2015	Chen	E05B 71/00	2013/0080254 A1	3/2013	Thramann et al.	
2002/0113491 A1	8/2002	Eglit et al.		2013/0127395 A1	5/2013	Santos Silva Serra Duarte	
2002/0174077 A1	11/2002	Yui et al.		2013/0150028 A1	6/2013	Akins et al.	
2003/0034873 A1	2/2003	Chase		2013/0158868 A1	6/2013	Chen et al.	
2004/0203564 A1	10/2004	Ho et al.		2013/0166998 A1	6/2013	Sutherland	
2007/0220933 A1*	9/2007	Gagosz	B62H 3/00 70/233	2013/0173159 A1	7/2013	Trum et al.	
2007/0239465 A1	10/2007	Le Gars		2013/0193091 A1	8/2013	Kritzer et al.	
2007/0239478 A1	10/2007	Yui et al.		2013/0255336 A1*	10/2013	Desai	E05B 71/00 70/431
2007/0239627 A1	10/2007	Yui et al.		2013/0268448 A1	10/2013	Kanof	
2007/0250444 A1	10/2007	Yui et al.		2014/0021908 A1	1/2014	McCool et al.	
2008/0018440 A1	1/2008	Aulbers et al.		2014/0136281 A1	5/2014	Culver et al.	
2008/0027794 A1	1/2008	Le Gars et al.		2014/0155100 A1	6/2014	Baldasare et al.	
2008/0034820 A1	2/2008	Gagosz et al.		2014/0156108 A1	6/2014	Reich	

* cited by examiner

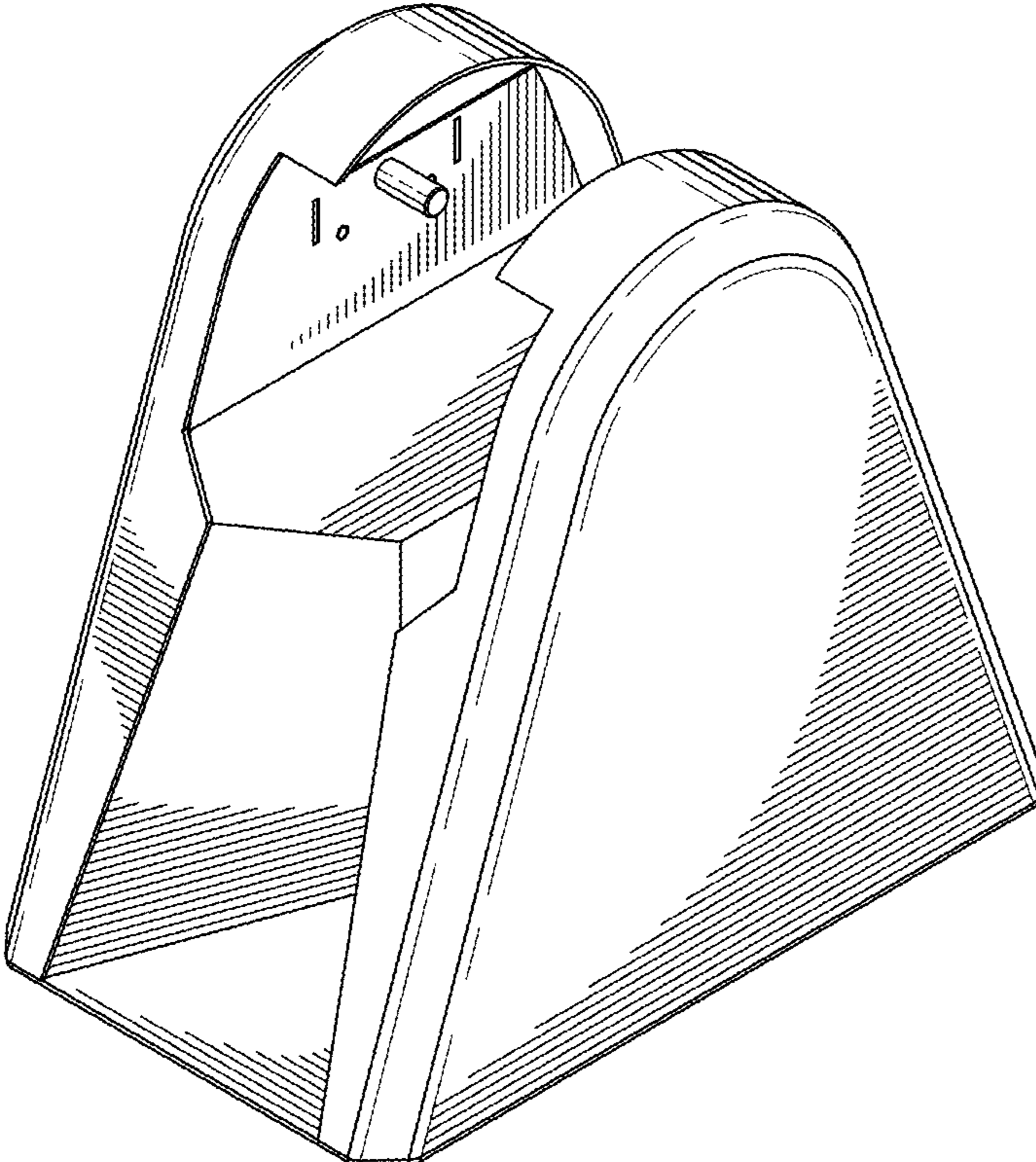


FIG-1

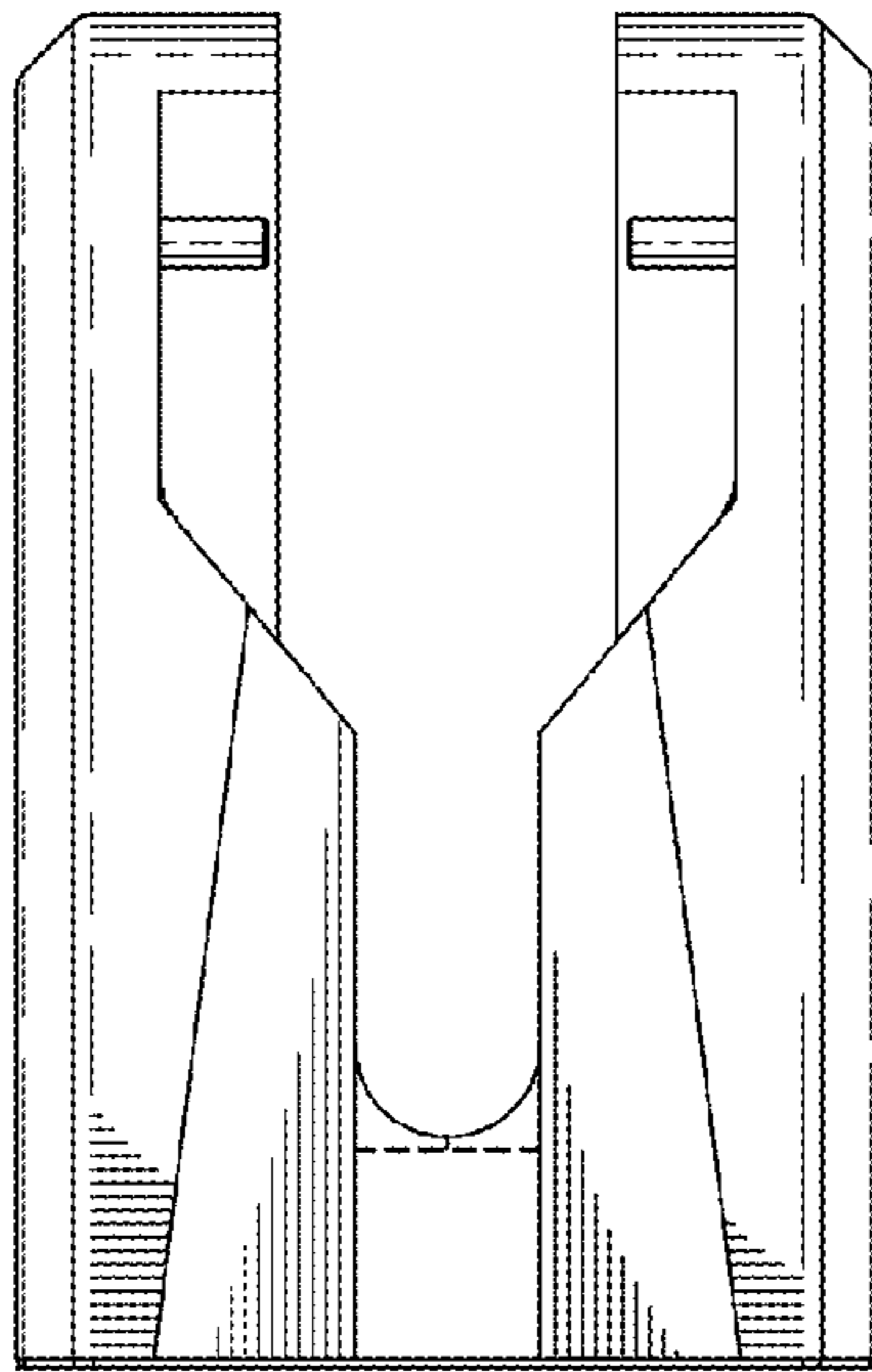


Fig-2

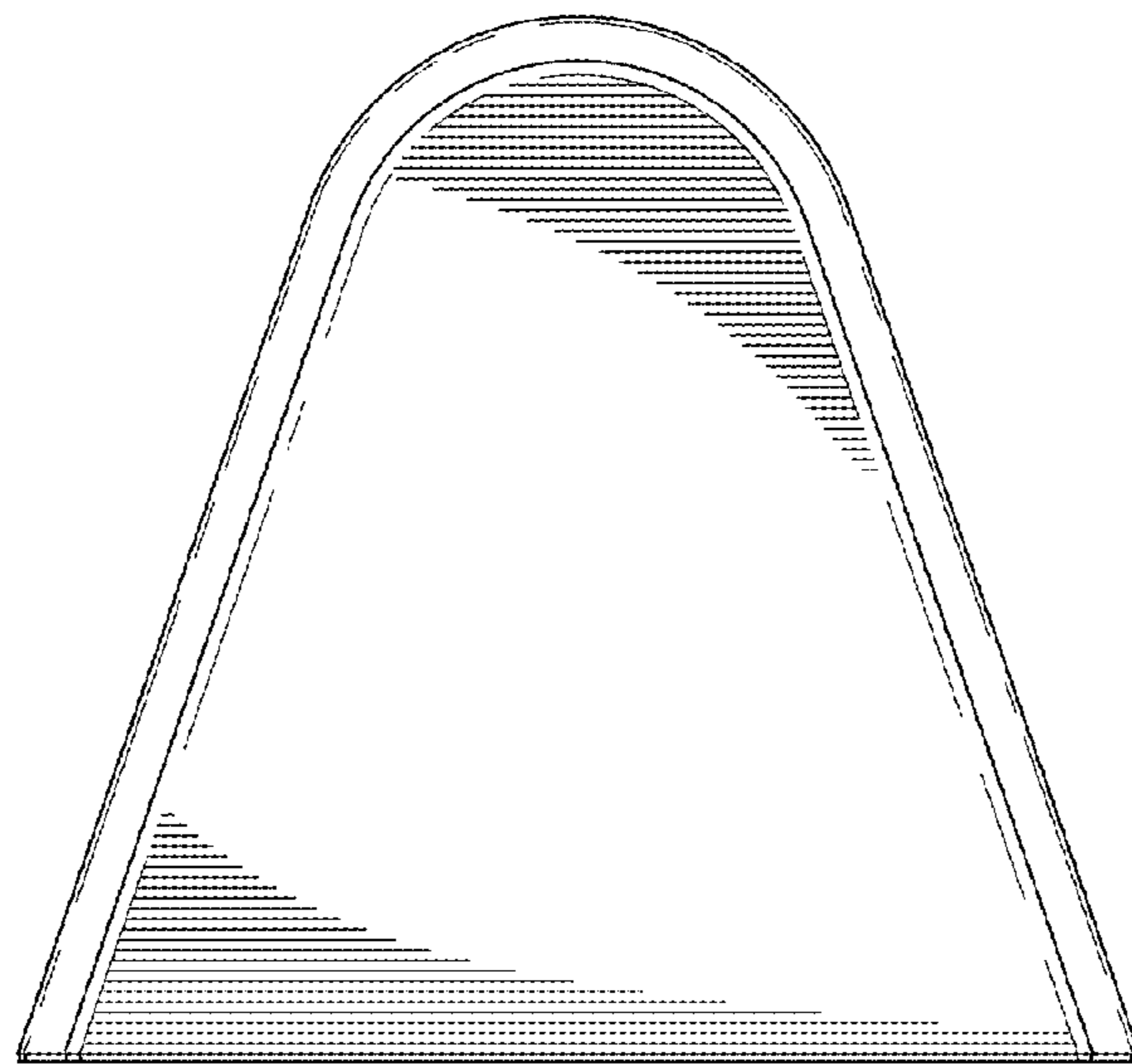


Fig-3

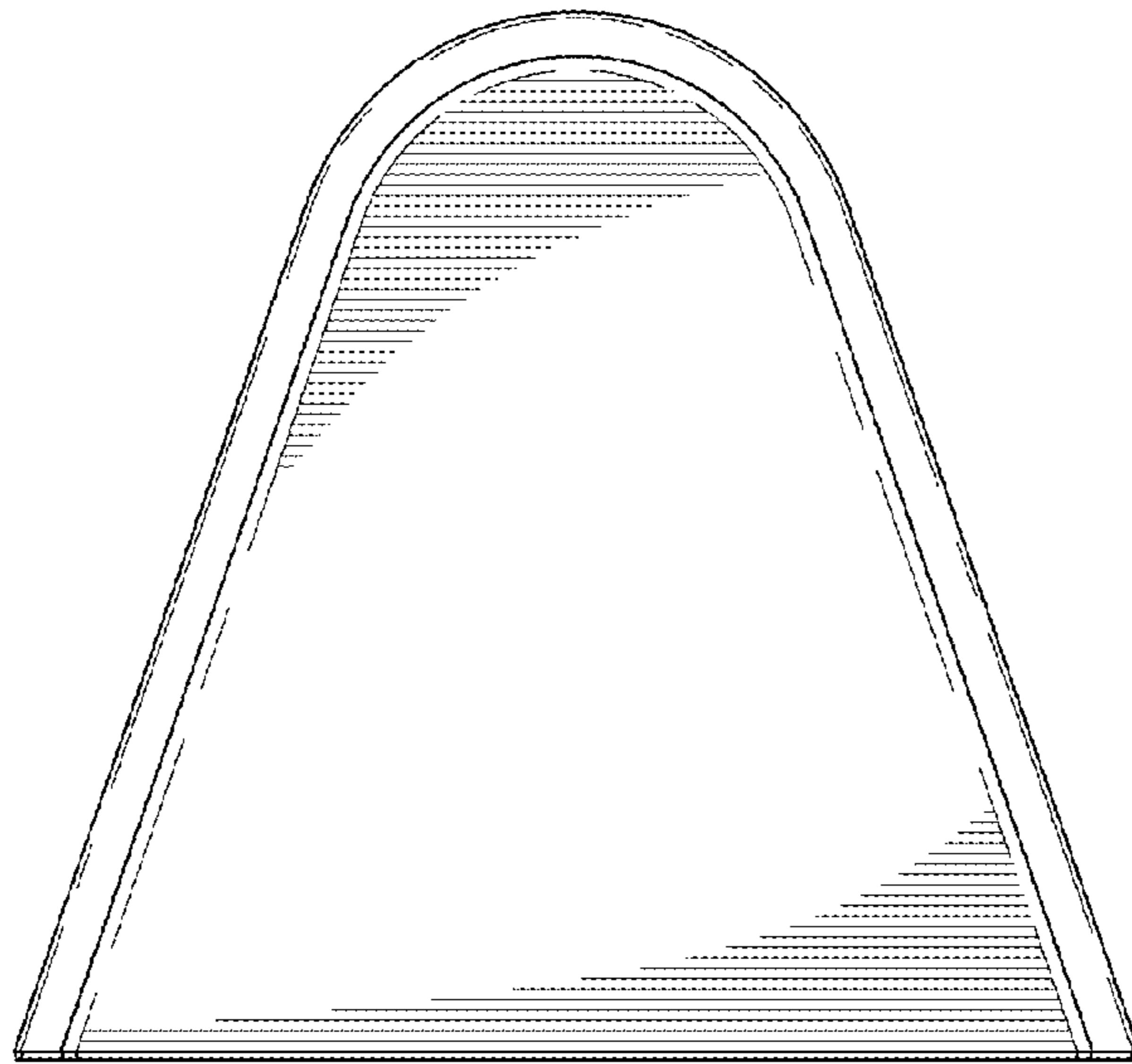


Fig-4

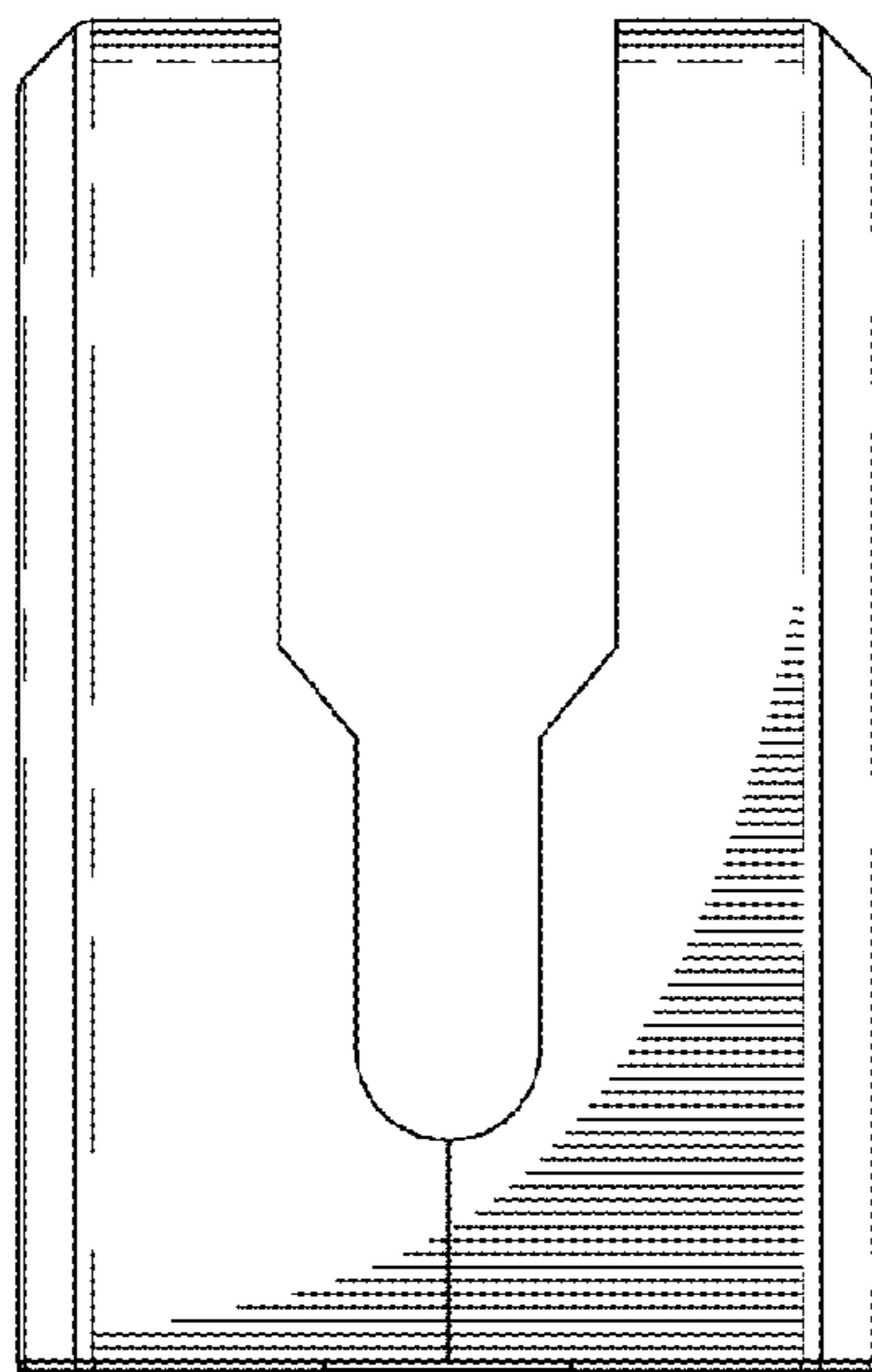


Fig-5

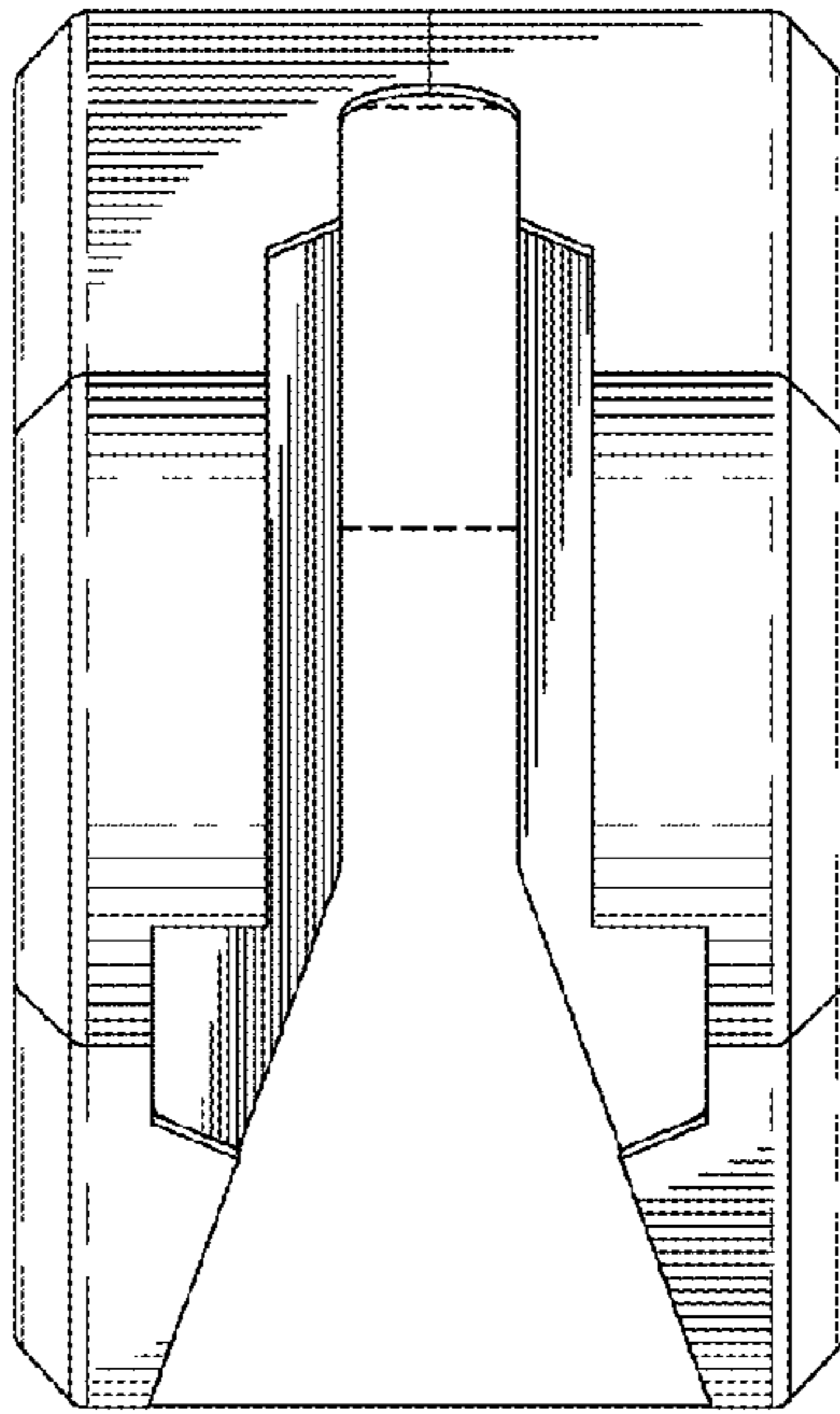


FIG-6



FIG-7