



US00D766135S

(12) **United States Design Patent**
Davidson et al.

(10) **Patent No.:** **US D766,135 S**
(45) **Date of Patent:** **** Sep. 13, 2016**

(54) **MOTORCYCLE**
(71) Applicant: **Harley-Davidson Motor Company Group, LLC**, Milwaukee, WI (US)
(72) Inventors: **Willie G. Davidson**, Delafield, WI (US); **Ray Drea**, Whitfish Bay, WI (US); **Dais Nagao**, Menomonee Falls, WI (US); **Mark Daniels**, Mequon, WI (US); **Frank Savage**, Trenton, WI (US); **Chetaan Shedjale**, Wauwatosa, WI (US)

D462,638 S * 9/2002 Davidson D12/110
D470,799 S * 2/2003 Yamaguchi D12/110
D482,640 S * 11/2003 TaMuRa D12/110
D504,640 S * 5/2005 Conte D12/110
D506,163 S * 6/2005 Uemoto D12/110
D511,718 S * 11/2005 Manchester D12/110
D517,957 S * 3/2006 Savage D12/110
D522,925 S * 6/2006 Nishino D12/110
D524,192 S * 7/2006 Sugimoto D12/110
D525,919 S * 8/2006 Sugimoto D12/110
D528,045 S * 9/2006 Yin D12/110
D544,816 S * 6/2007 Davidson D12/110
D550,591 S * 9/2007 Mugikura D12/110
D567,148 S * 4/2008 Inose D12/110

(73) Assignee: **Harley-Davidson Motor Company Group, LLC**, Milwaukee, WI (US)

(Continued)

(**) Term: **14 Years**

Primary Examiner — Philip S Hyder

Assistant Examiner — Darlington Ly

(21) Appl. No.: **29/492,987**

(74) *Attorney, Agent, or Firm* — Michael Best & Friedrich LLP

(22) Filed: **Jun. 4, 2014**

(51) **LOC (10) Cl.** **12-11**

(57) **CLAIM**

(52) **U.S. Cl.**
USPC **D12/110**

We claim the ornamental design for a motorcycle, as shown and described.

(58) **Field of Classification Search**
USPC D12/109, 110, 111, 114, 117, 126, 184, D12/186; D21/432, 458, 538; 180/210–217, 180/219, 220, 225, 229, 908; 280/103, 124, 280/152.1–152.3, 288.2, 288.4, 304.3, 770, 280/827, 828, 847, 848; 296/77.1, 78.1, 296/181.1, 187.01, 187.12, 192, 193.01, 296/193.04, 193.05, 193.09; 446/440
CPC B62D 37/00; B62D 57/00; B62K 9/00; B62K 11/04; B62K 17/00; B62K 19/48; B62M 7/12; F02B 61/02; A63H 17/21; B62J 17/00; B62J 17/04; B62J 29/00
See application file for complete search history.

DESCRIPTION

FIG. 1 is a front perspective view of a motorcycle according to the present invention.

FIG. 2 is a rear perspective view of the motorcycle of FIG. 1.

FIG. 3 is a front view of the motorcycle of FIG. 1.

FIG. 4 is a rear view of the motorcycle of FIG. 1.

FIG. 5 is a right side view of the motorcycle of FIG. 1; and, FIG. 6 is a left side view of the motorcycle of FIG. 1.

In the figures, The Harley-Davidson bar-and-shield logos that are applied to the motorcycle on the left and right sides of the fuel tank and on the right side of the engine case form no part of the claimed design.

(56) **References Cited**

U.S. PATENT DOCUMENTS

D442,521 S * 5/2001 Pan D12/110
D456,748 S * 5/2002 Keating D12/110

1 Claim, 5 Drawing Sheets



US D766,135 S

Page 2

(56)

References Cited

U.S. PATENT DOCUMENTS

D582,318 S * 12/2008 Kishi D12/110
D582,319 S * 12/2008 Miwa D12/110
D588,503 S * 3/2009 Idei D12/110
D597,892 S * 8/2009 Andoh D12/110

D605,087 S * 12/2009 Wong D12/110
D610,044 S * 2/2010 Sugimoto D12/110
D637,523 S * 5/2011 Sugimoto D12/110
D683,270 S * 5/2013 Song D12/110
D694,154 S * 11/2013 Arru D12/110

* cited by examiner

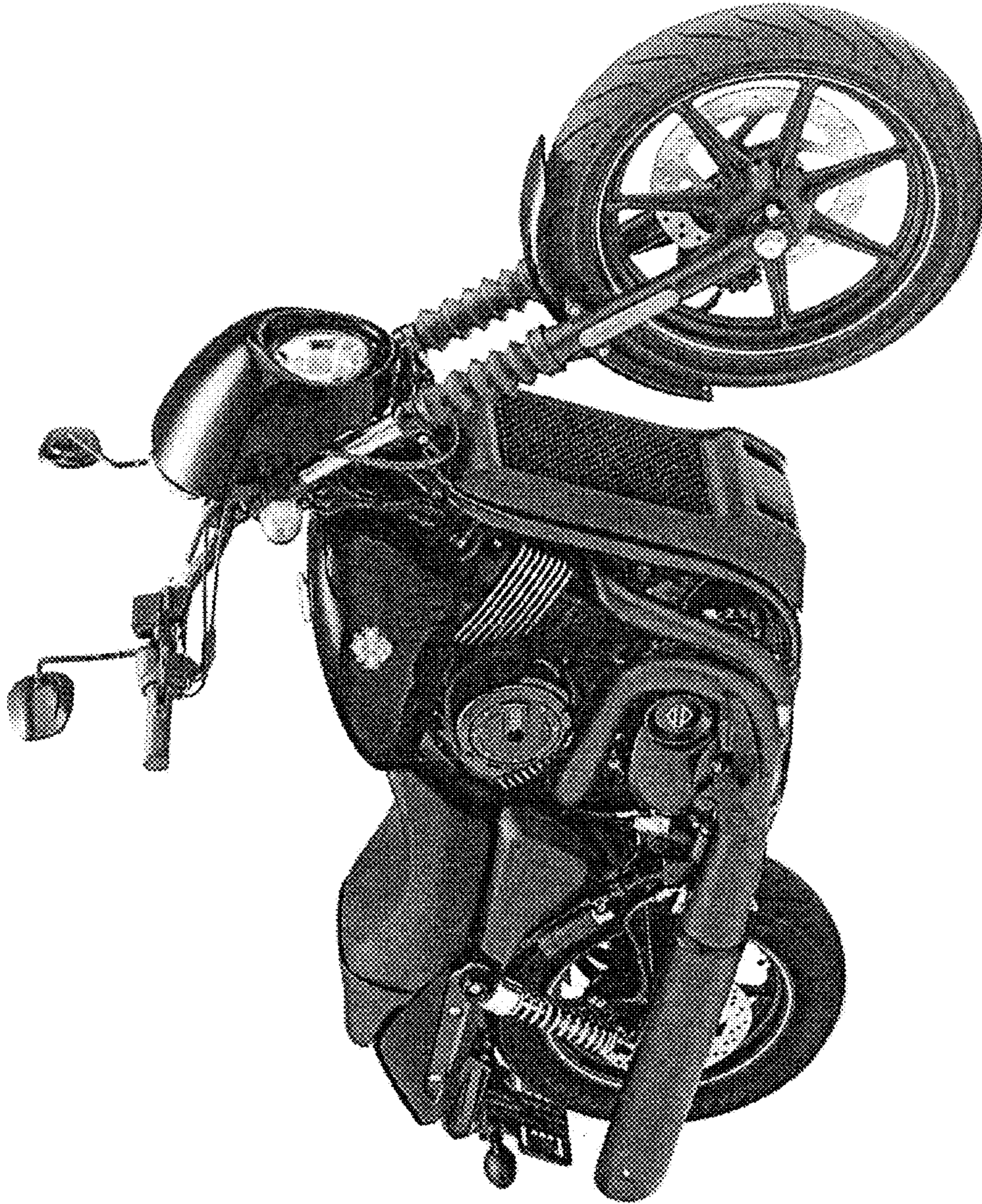


FIG. 1

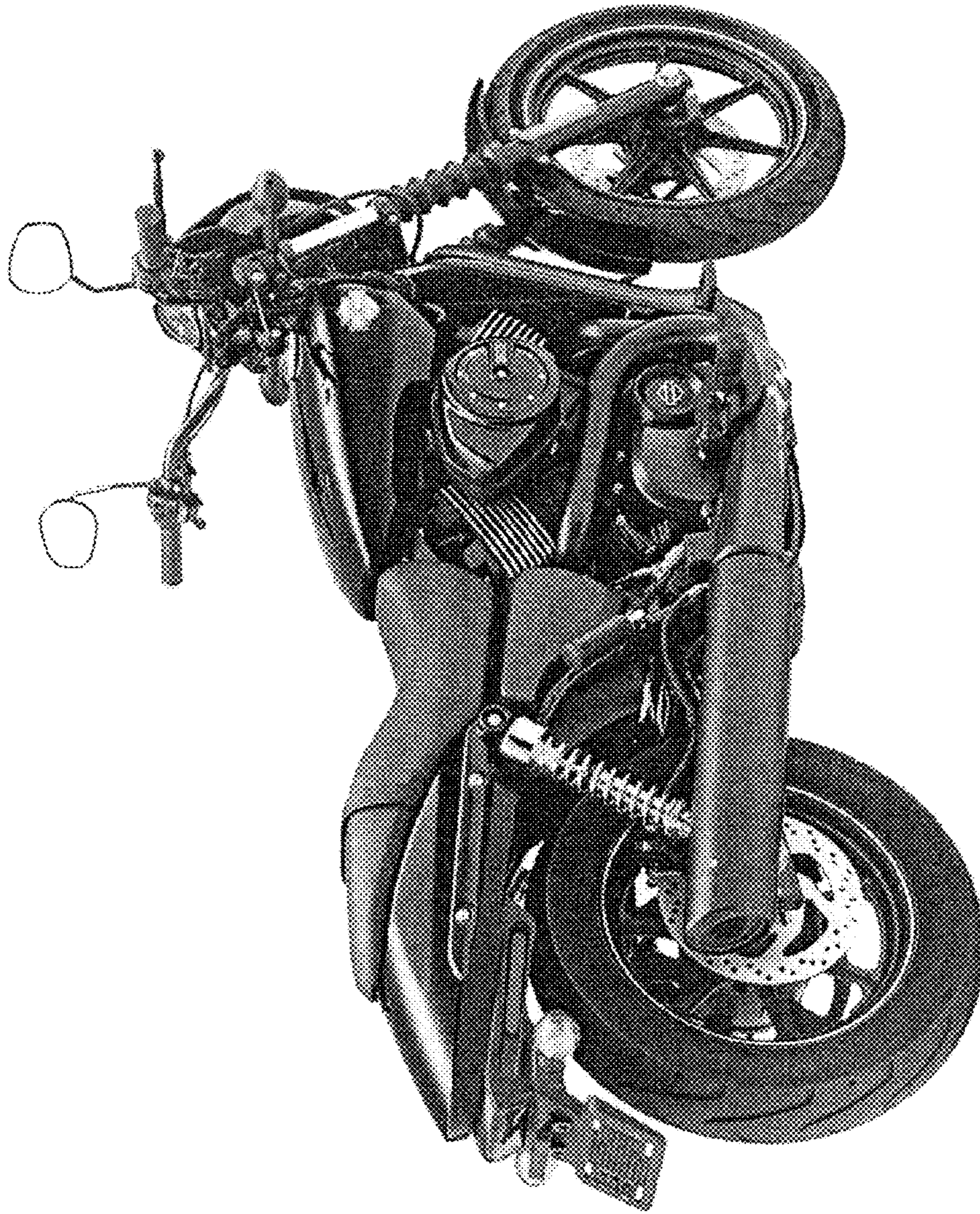


FIG. 2

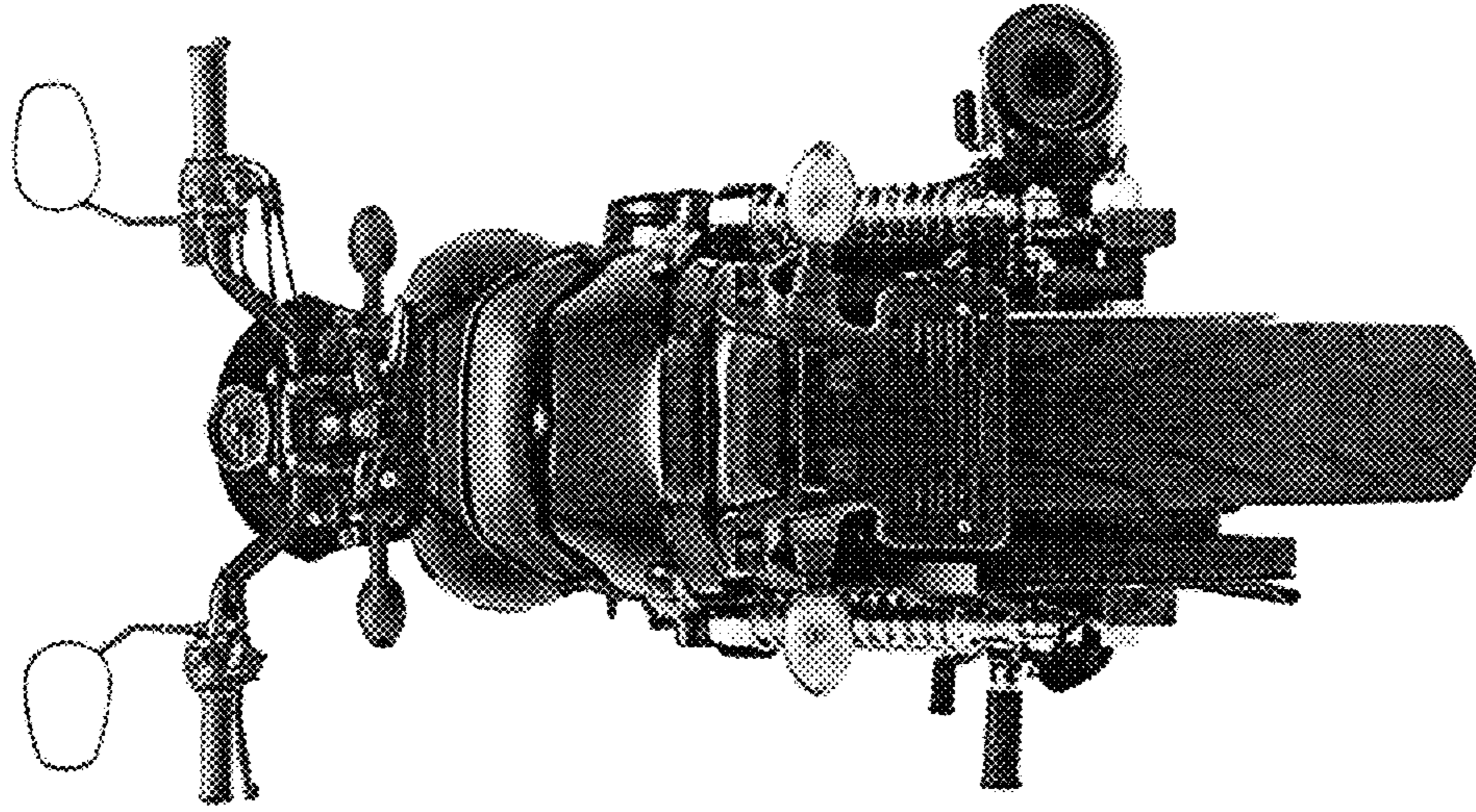


FIG. 4

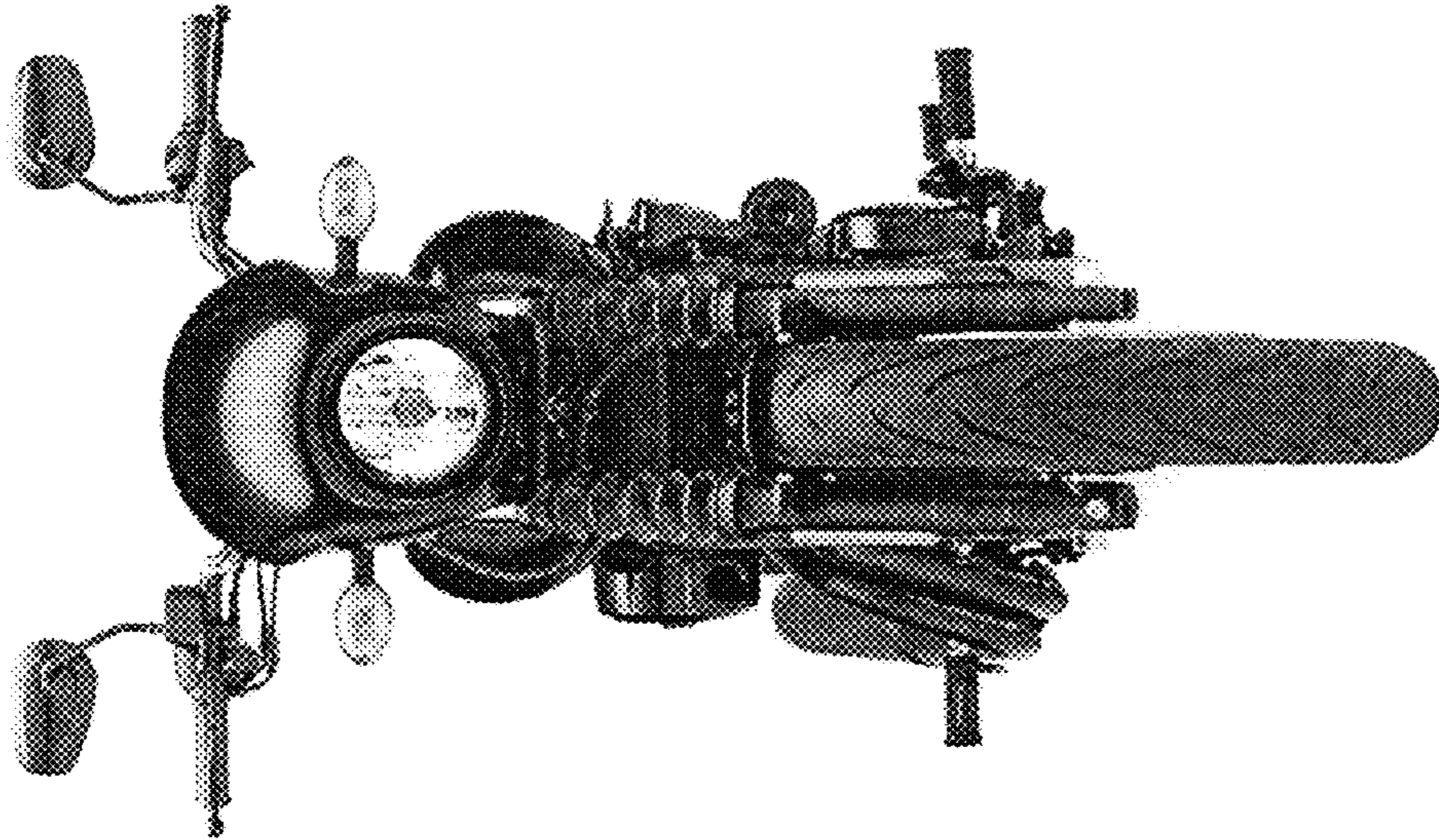


FIG. 3



FIG. 5

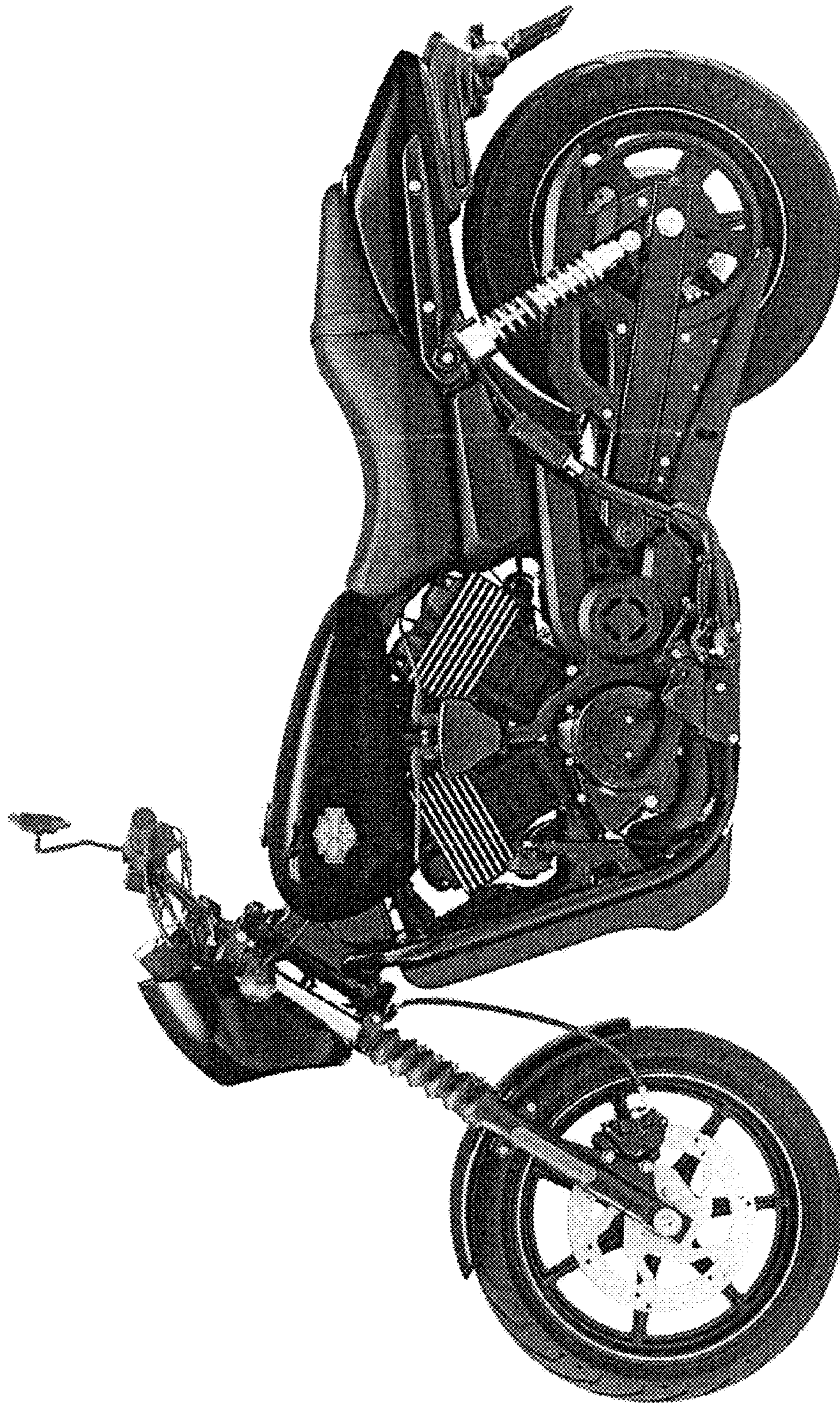


FIG. 6