



US00D766132S

(12) **United States Design Patent** (10) **Patent No.:** **US D766,132 S**
Kubo et al. (45) **Date of Patent:** **** Sep. 13, 2016**

(54) **MOTOR VEHICLE AND/OR TOY REPLICA THEREOF**

(71) Applicants: **Toyota Jidosha Kabushiki Kaisha**,
Toyota-shi, Aichi-ken (JP); **Mazda Motor Corporation**, Aki-gun,
Hiroshima-ken (JP)

(72) Inventors: **Kosuke Kubo**, Okazaki (JP); **Shinichi Isayama**, Hiroshima-ken (JP); **Atsushi Shudo**, Hiroshima-ken (JP); **Shigeki Nakamura**, Hiroshima-ken (JP); **Tadashi Ozeki**, Hiroshima-ken (JP); **Eijirou Mitsuyasu**, Hiroshima-ken (JP)

(73) Assignees: **Toyota Jidosha Kabushiki Kaisha** (JP); **Mazda Motor Corporation** (JP)

(**) Term: **14 Years**

(21) Appl. No.: **29/513,668**

(22) Filed: **Jan. 5, 2015**

(51) **LOC (10) Cl.** **12-08**

(52) **U.S. Cl.**
USPC **D12/91**

(58) **Field of Classification Search**
USPC D12/86, 90-92, 88; D21/421, 433, 434;
296/181.1, 181.5
CPC B62D 35/00; B62D 25/00; B62D 25/06;
B62D 33/00
See application file for complete search history.

(56) **References Cited**

U.S. PATENT DOCUMENTS

D686,531 S * 7/2013 Lamm D12/91
D700,870 S * 3/2014 Jevremovic D12/92

D710,762 S * 8/2014 Mays D12/92
D711,785 S * 8/2014 Tabata D12/92
D713,764 S * 9/2014 Ferlazzo D12/92
D727,211 S * 4/2015 Rugar D12/91
D728,423 S * 5/2015 Rugar D12/91
D728,424 S * 5/2015 Rugar D12/91
D741,752 S * 10/2015 Messale D12/91

FOREIGN PATENT DOCUMENTS

CN 201330040941.4 10/2013
JP 1479616 9/2013

* cited by examiner

Primary Examiner — Melody N Brown

(74) *Attorney, Agent, or Firm* — Saidman DesignLaw Group, LLC

(57) **CLAIM**

The ornamental design for a motor vehicle and/or toy replica thereof, as shown and described.

DESCRIPTION

FIG. 1 is a top, front and right side perspective view of a motor vehicle and/or toy replica thereof showing our new design;
FIG. 2 is a front perspective view thereof;
FIG. 3 is a top, rear and left side perspective view thereof;
FIG. 4 is a rear perspective view thereof;
FIG. 5 is a front view thereof;
FIG. 6 is a rear view thereof;
FIG. 7 is a left side view thereof;
FIG. 8 is a right side view thereof; and,
FIG. 9 is a top view thereof.

1 Claim, 9 Drawing Sheets

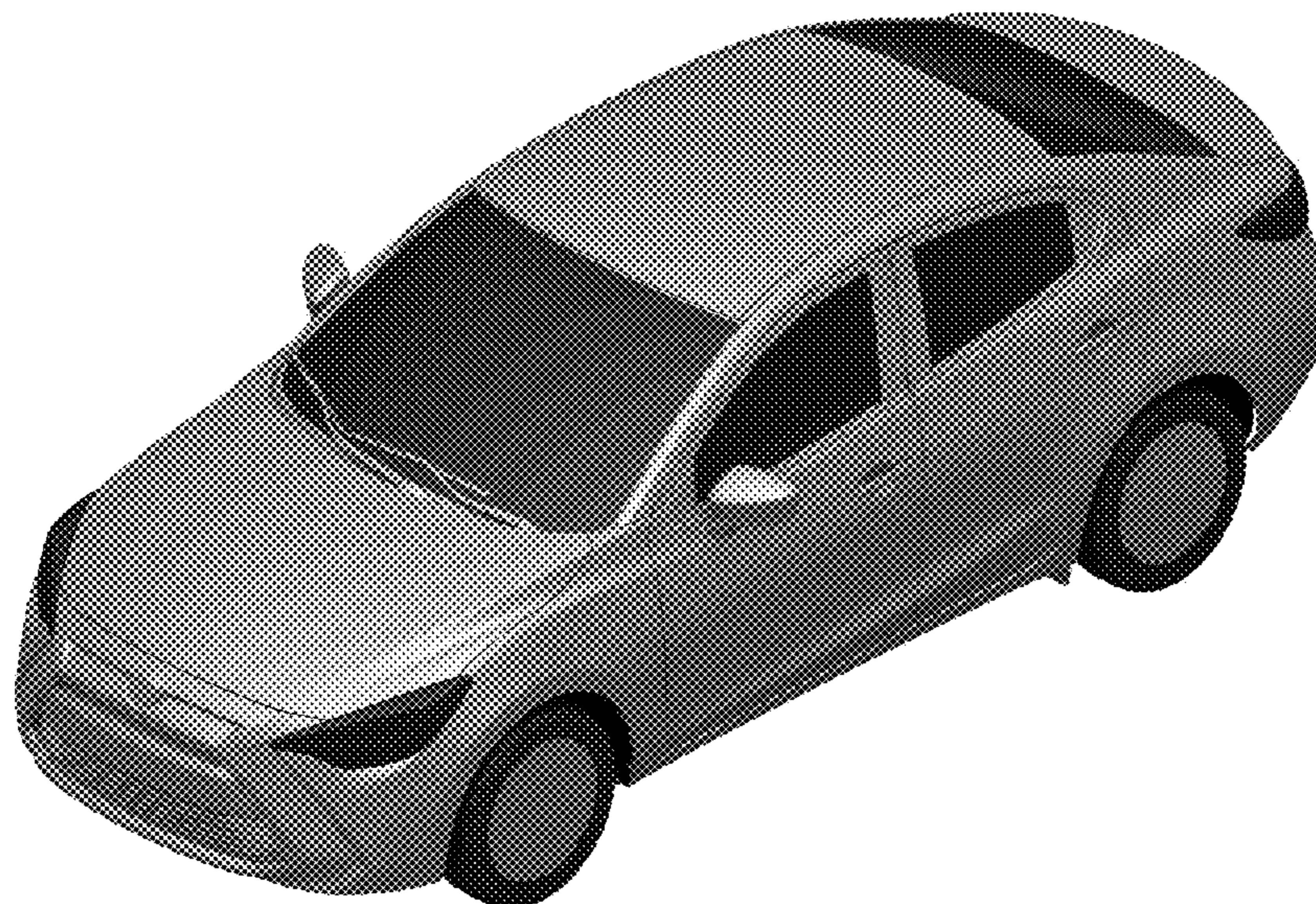




FIG.1



FIG. 2



FIG.3



FIG.4



FIG. 5

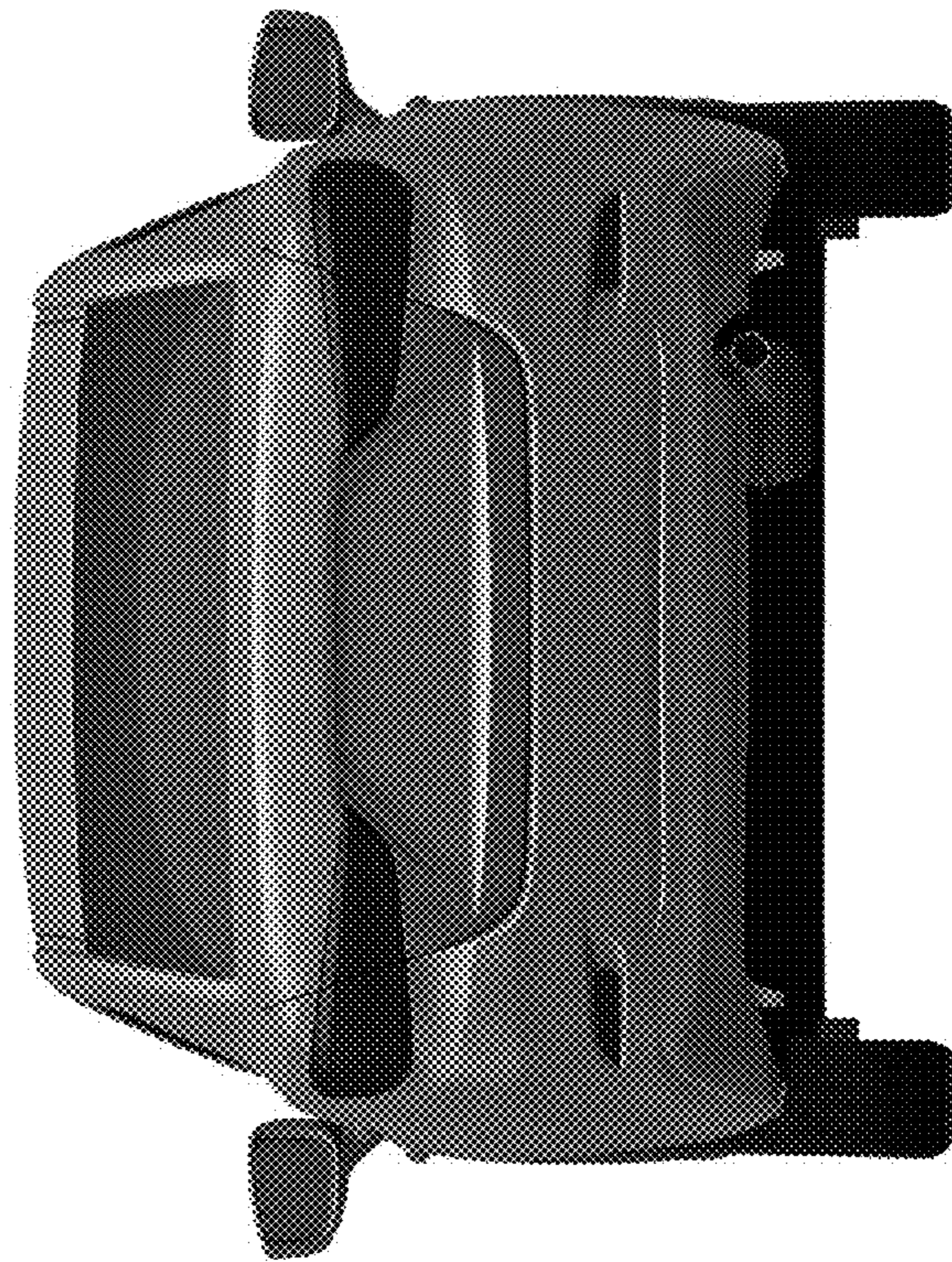


FIG. 6

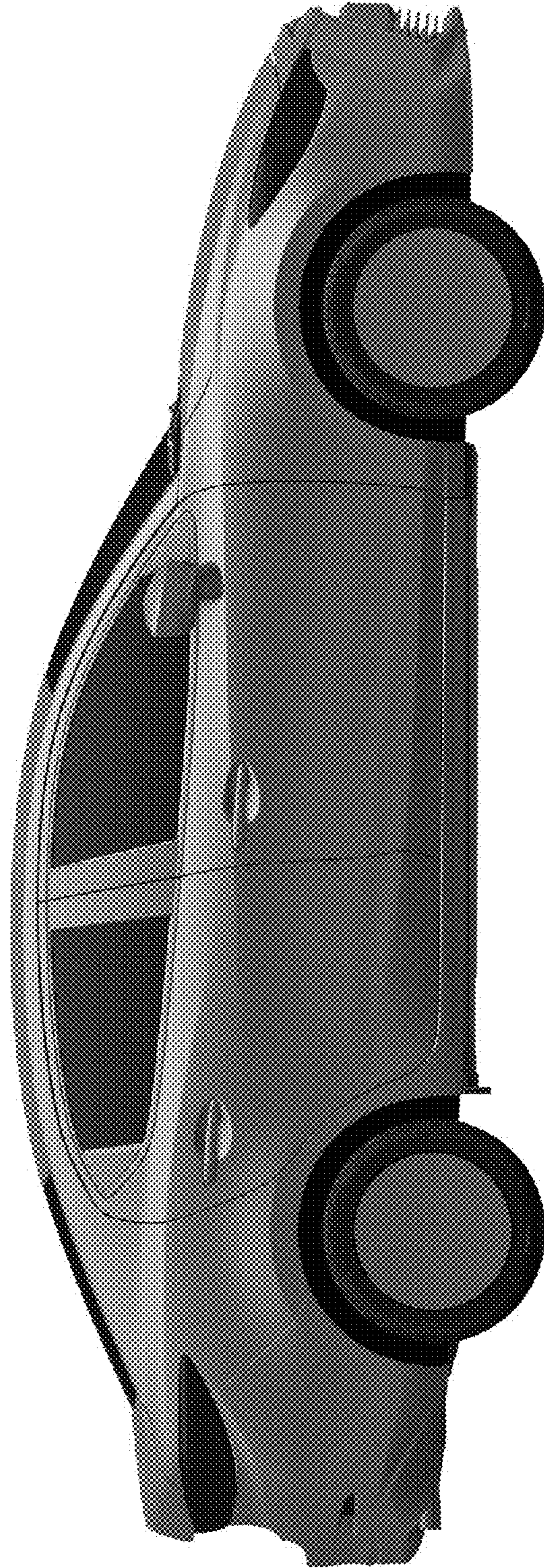


FIG.7

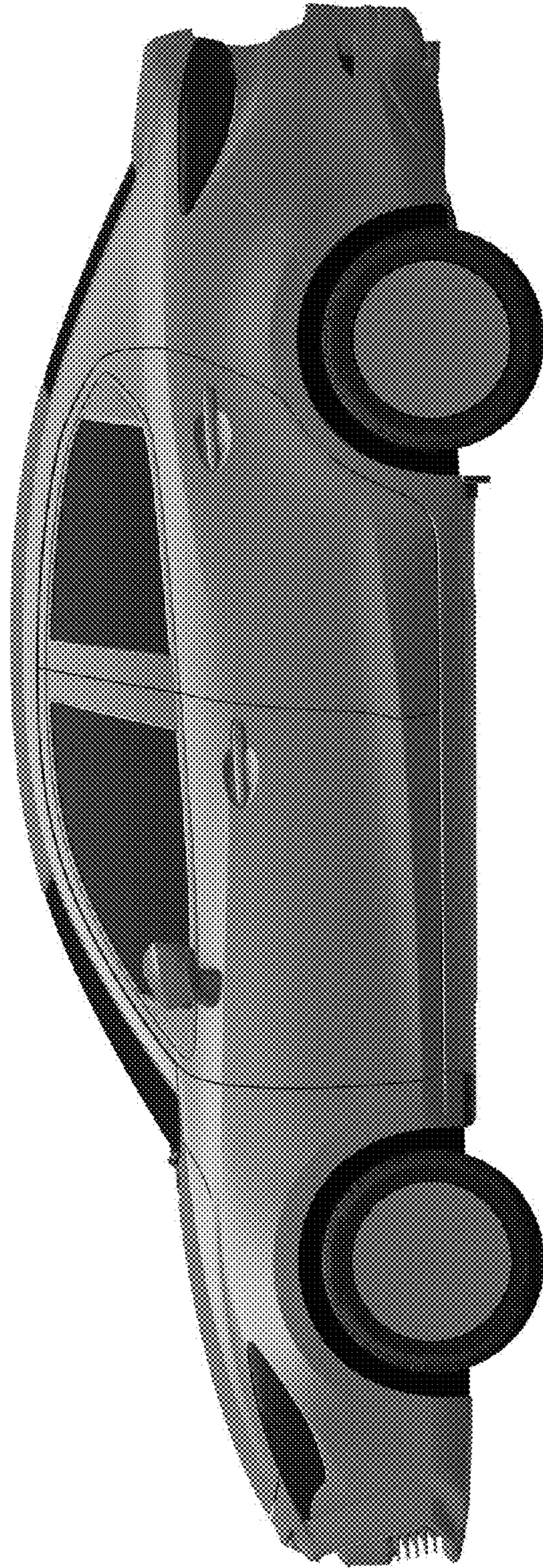


FIG. 8



FIG. 9