



US00D766131S

(12) **United States Design Patent**  
**Harding et al.**

(10) **Patent No.:** **US D766,131 S**  
(45) **Date of Patent:** **\*\* Sep. 13, 2016**

- (54) **THREE-WHEELED VEHICLE**
- (71) Applicant: **Segway Inc.**, Bedford, NH (US)
- (72) Inventors: **Matthew J. Harding**, Hooksett, NH (US); **William J. Twomey**, Manchester, NH (US); **Robert M. Bowman**, Bow, NH (US); **Brendan Collins**, Manchester, NH (US); **Joseph A. Hoell, Jr.**, Dunbarton, NH (US); **Michael J. Casey**, Bedford, NH (US)
- (73) Assignee: **Segway, Inc.**, Bedford, NH (US)
- (\*\*) Term: **14 Years**
- (21) Appl. No.: **29/489,618**
- (22) Filed: **May 1, 2014**

**Related U.S. Application Data**

- (63) Continuation-in-part of application No. 29/487,651, filed on Apr. 10, 2014, now abandoned.
- (51) **LOC (10) Cl.** ..... **12-08**
- (52) **U.S. Cl.**  
USPC ..... **D12/85**
- (58) **Field of Classification Search**  
USPC ..... D12/1, 3, 85, 86, 110; D21/423, 424, D21/433, 434; 296/181.1, 181.5  
CPC .... B62D 21/11; B62D 29/043; B62D 31/00; B62D 49/00; B62D 61/065; B62L 3/00; B62K 5/01; B62K 5/08; B62K 5/027  
See application file for complete search history.

(56) **References Cited**

**U.S. PATENT DOCUMENTS**

- D192,912 S \* 5/1962 Weigel et al. .... D12/85
- D199,384 S \* 10/1964 Laher ..... D12/85
- D267,084 S \* 11/1982 Bittinger ..... D12/85
- D280,089 S \* 8/1985 Blower ..... D12/128

- D305,745 S \* 1/1990 Hayata ..... D12/85
- D414,220 S \* 9/1999 Catto ..... D21/423
- 6,907,949 B1 \* 6/2005 Wang ..... 180/65.51
- D507,206 S \* 7/2005 Wang ..... D12/1
- D540,400 S \* 4/2007 Starr ..... D21/423
- D566,787 S \* 4/2008 Lo ..... D21/423
- D569,308 S \* 5/2008 Bergeron et al. .... D12/7
- D601,922 S \* 10/2009 Imai et al. .... D12/1

(Continued)

**OTHER PUBLICATIONS**

“Pentagon deploys T3 Series electric three-wheeler for perimeter security.” autoblog.com., Jan. 12, 2011 [online], [retrieved on Dec. 31, 2014]. Retrieved from the Internet <URL: <http://www.autoblog.com/2011/01/12/pentagon-t3-series-electric-three-wheeler-security/>>.\*

(Continued)

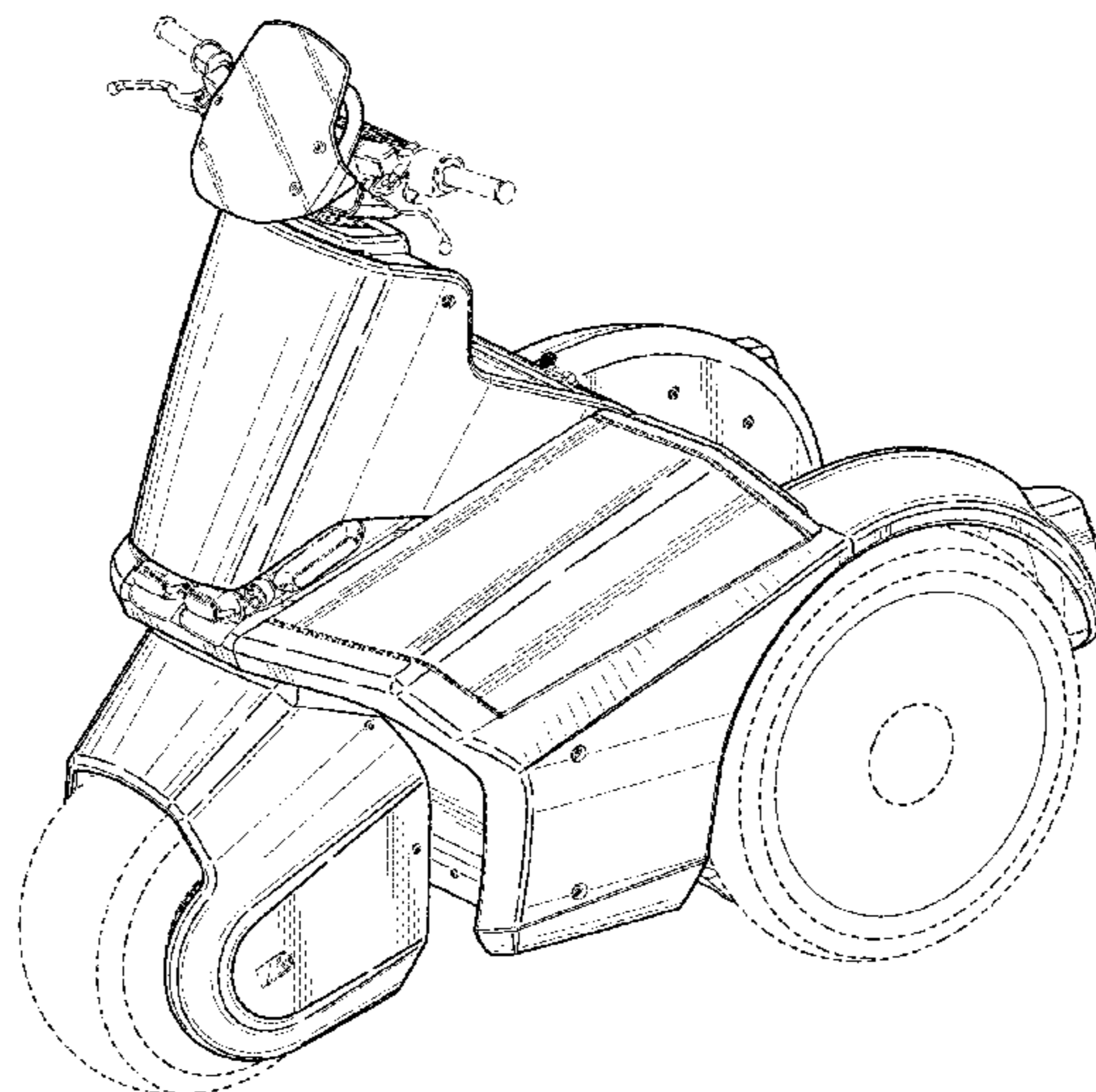
*Primary Examiner* — Philip S Hyder  
*Assistant Examiner* — Darlington Ly  
(74) *Attorney, Agent, or Firm* — Burns & Levinson LLP; Joseph M. Maraia

(57) **CLAIM**  
We claim the ornamental design for a three-wheeled vehicle, as shown and described.

**DESCRIPTION**

FIG. 1 is a front and left side perspective view of the three-wheeled vehicle showing our new design;  
FIG. 2 is a front elevation view thereof;  
FIG. 3 is a left side elevation view thereof;  
FIG. 4 is a right side elevation view thereof;  
FIG. 5 is a rear elevation view thereof;  
FIG. 6 is a rear and right side perspective view thereof; and,  
FIG. 7 is a top plan view thereof.  
The broken lines in the drawings illustrate portions of the three-wheeled vehicle that forms no part of the claimed design.

**1 Claim, 7 Drawing Sheets**



(56)

References Cited

U.S. PATENT DOCUMENTS

D614,998 S \* 5/2010 Fujita ..... D12/85  
D619,045 S \* 7/2010 Fujita ..... D12/85  
D626,031 S \* 10/2010 Doran ..... D12/1  
D626,884 S \* 11/2010 Fujita ..... D12/85  
8,072,185 B2 \* 12/2011 Nam et al. .... 320/116  
D652,642 S \* 1/2012 Etienne ..... D6/356  
8,245,345 B2 \* 8/2012 Pedlar et al. .... 15/49.1  
D687,741 S \* 8/2013 Zhang ..... D12/110  
D699,626 S \* 2/2014 Nam ..... D12/1  
2010/0065361 A1 \* 3/2010 Nam et al. .... 180/211

OTHER PUBLICATIONS

Euvrard, Frederic. "Segway SE-3 Patroller: Un tricycle électrique pour la police (video)." blogautomobile.fr., May 27, 2014 [online], [retrieved on Dec. 31, 2014]. Retrieved from the Internet <URL: <http://blogautomobile.fr/segway-se-3-patroller-un-tricycle-electrique-pour-la-police-video-234437#axzz3Nan7TL0K>>.\*

\* cited by examiner

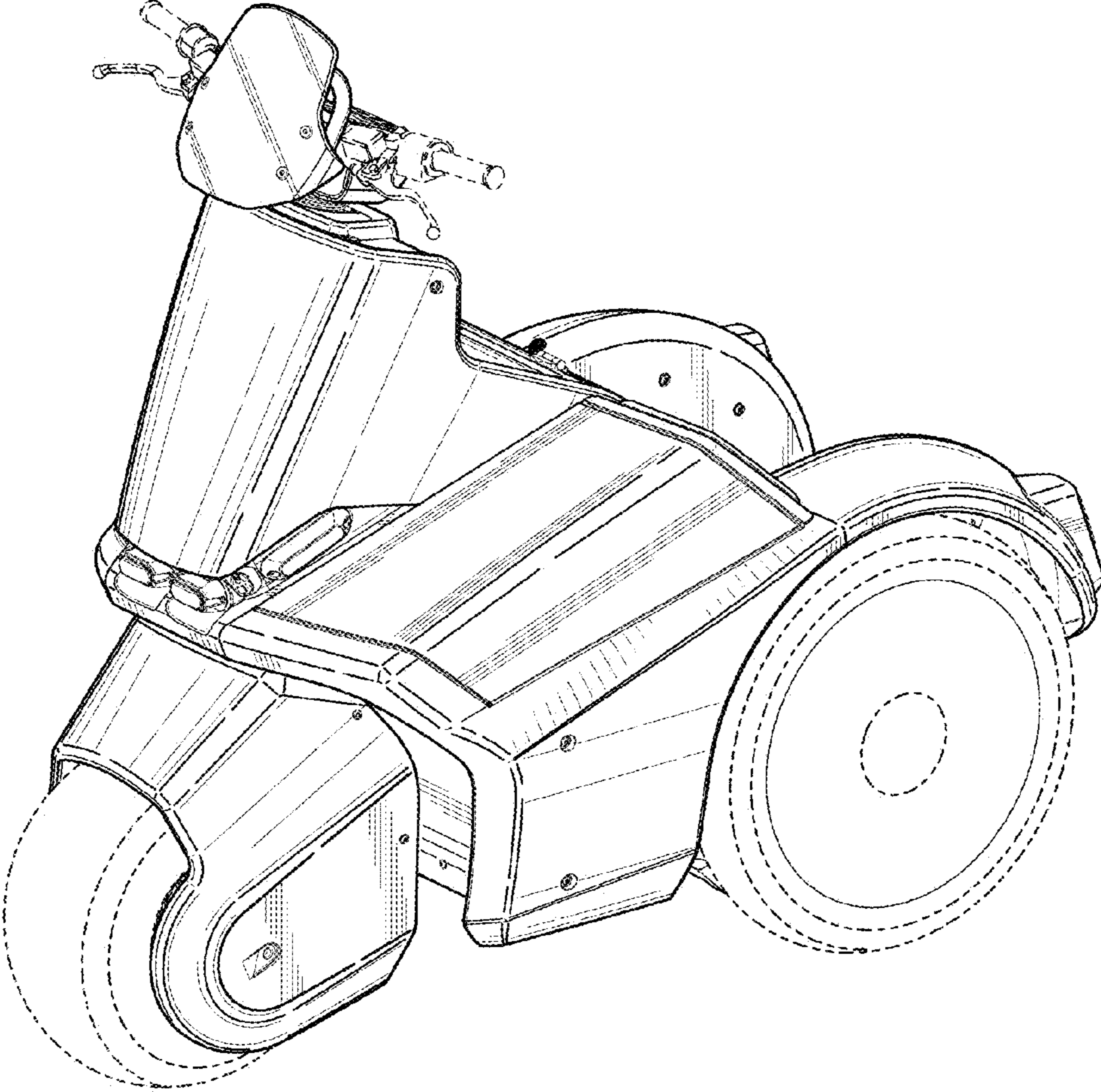


FIG. 1

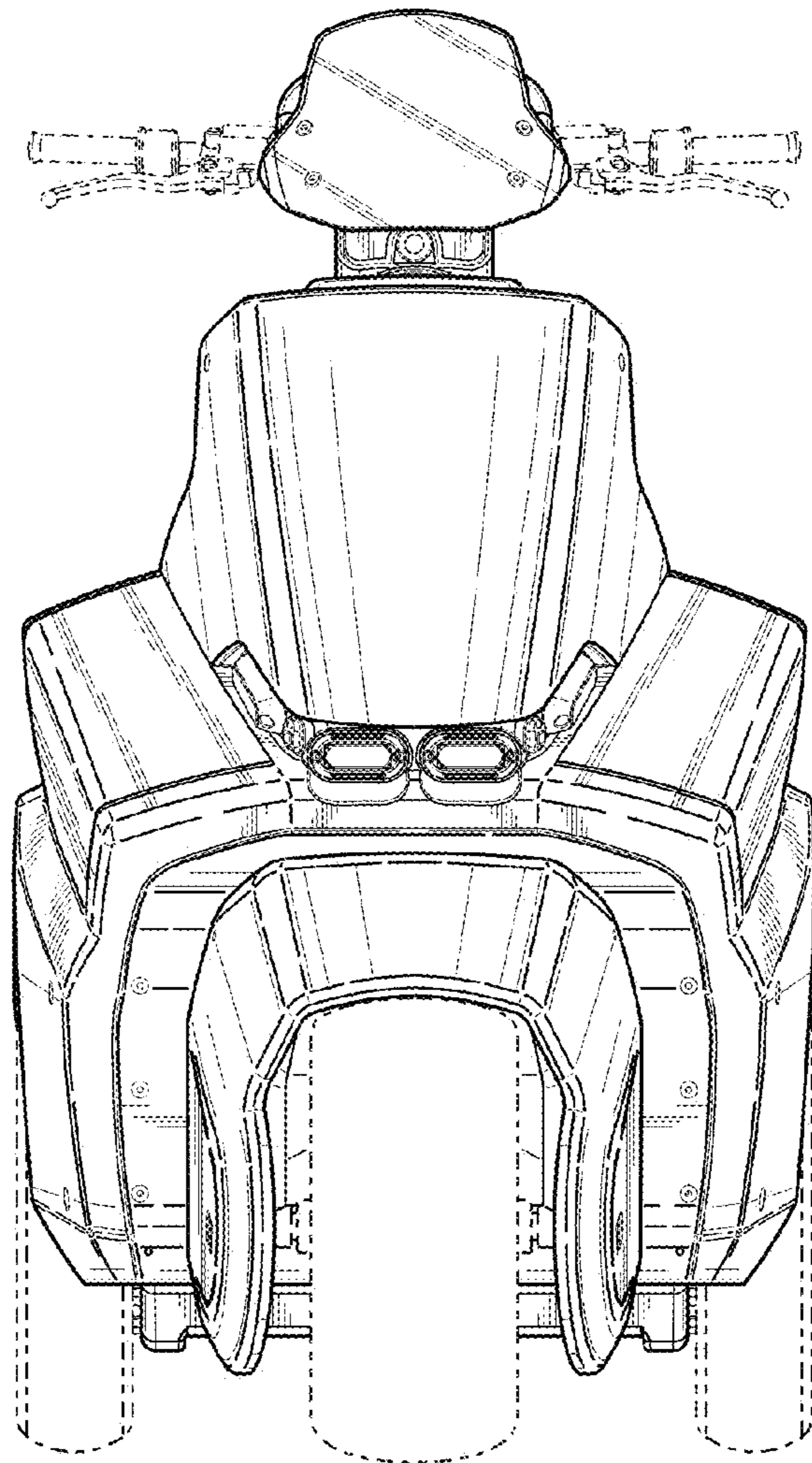


FIG. 2

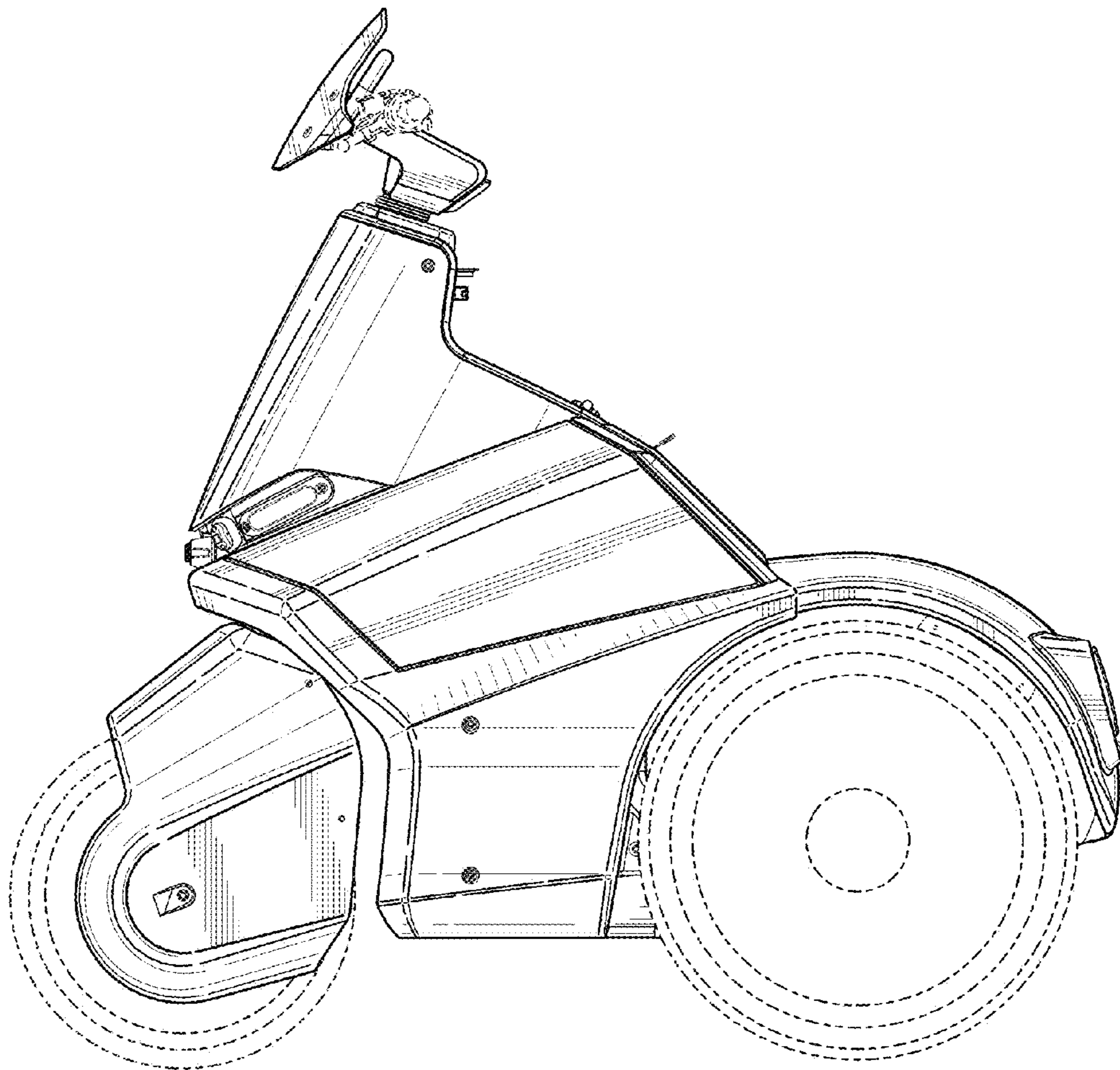


FIG. 3

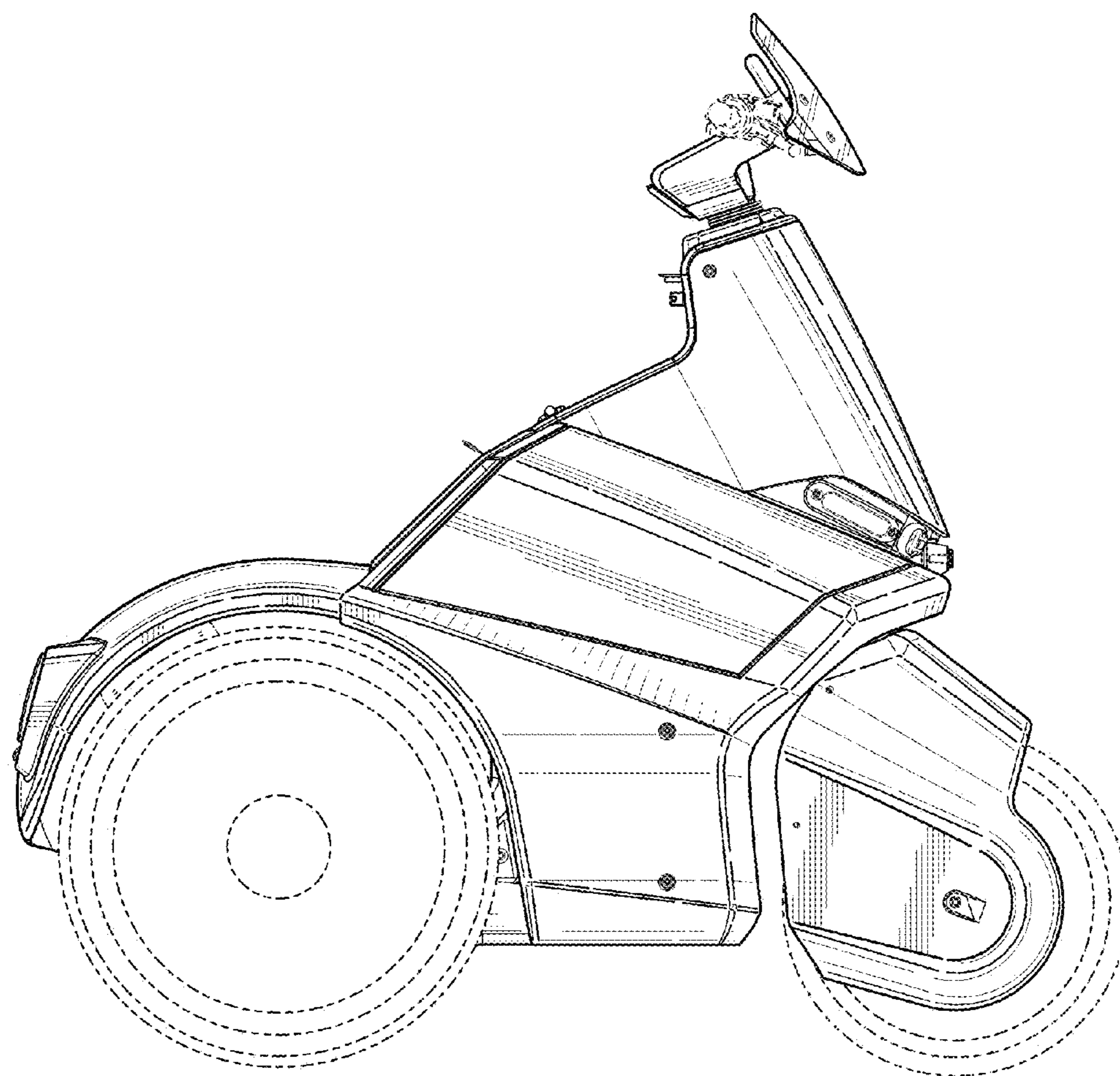


FIG. 4

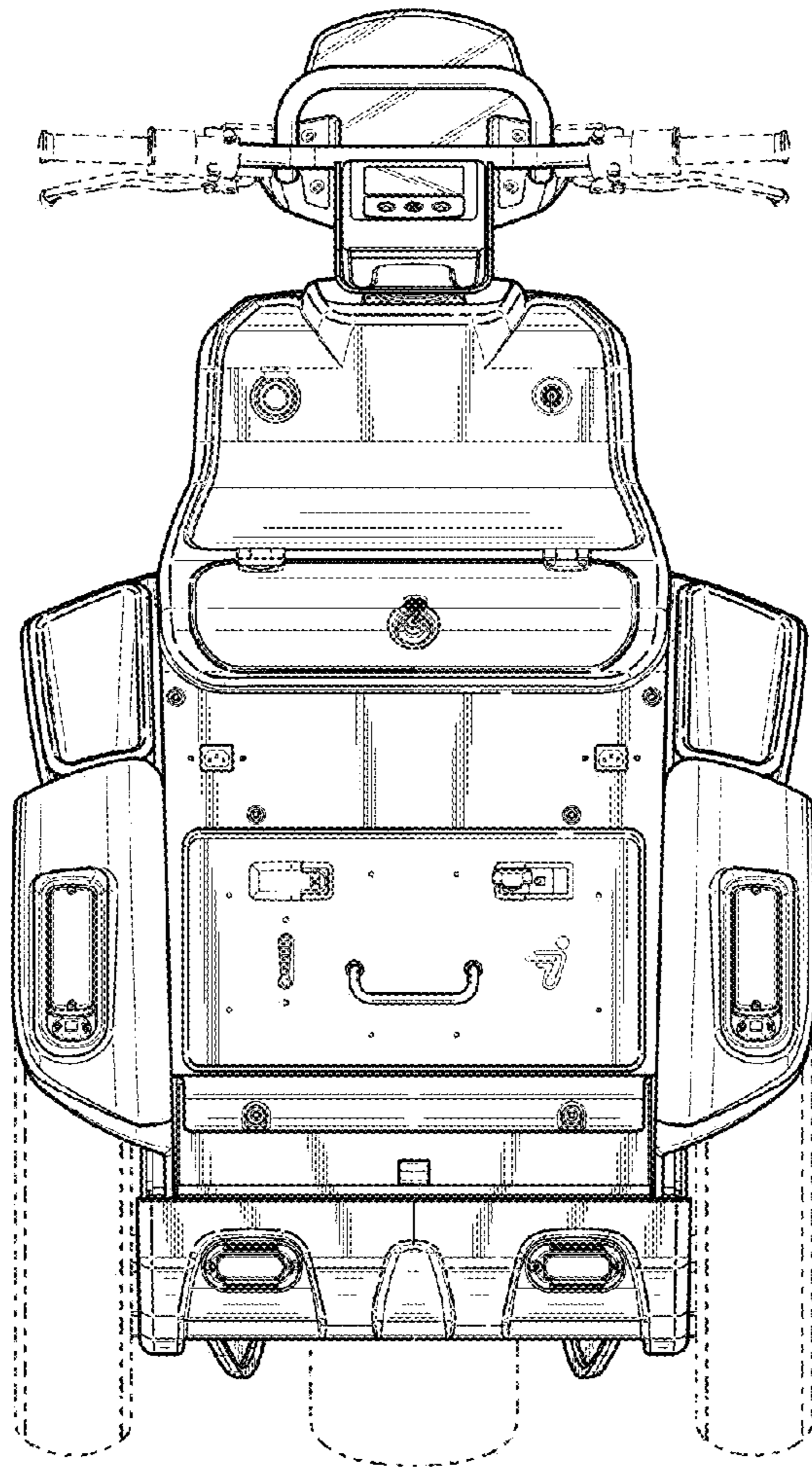


FIG. 5

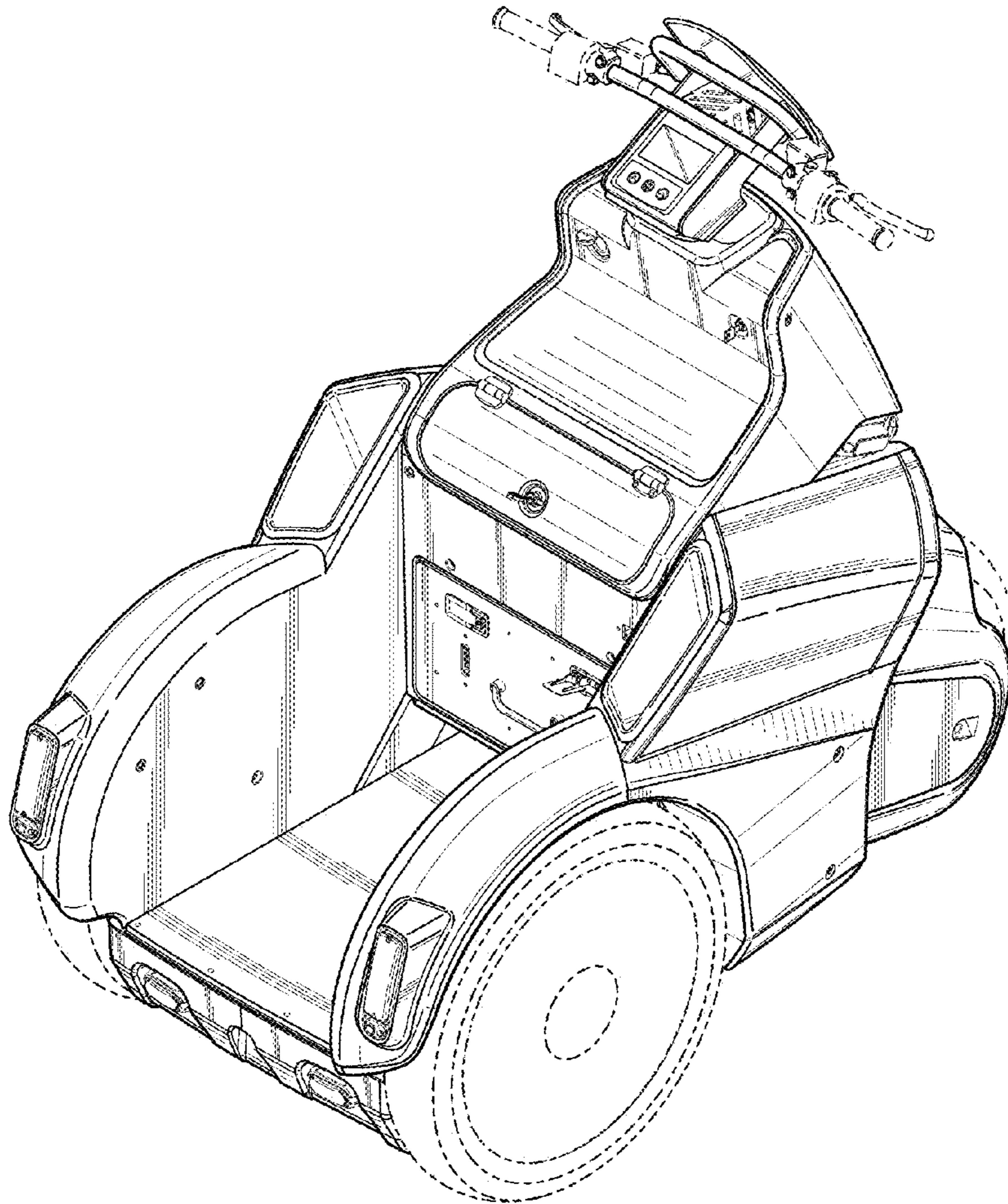


FIG. 6



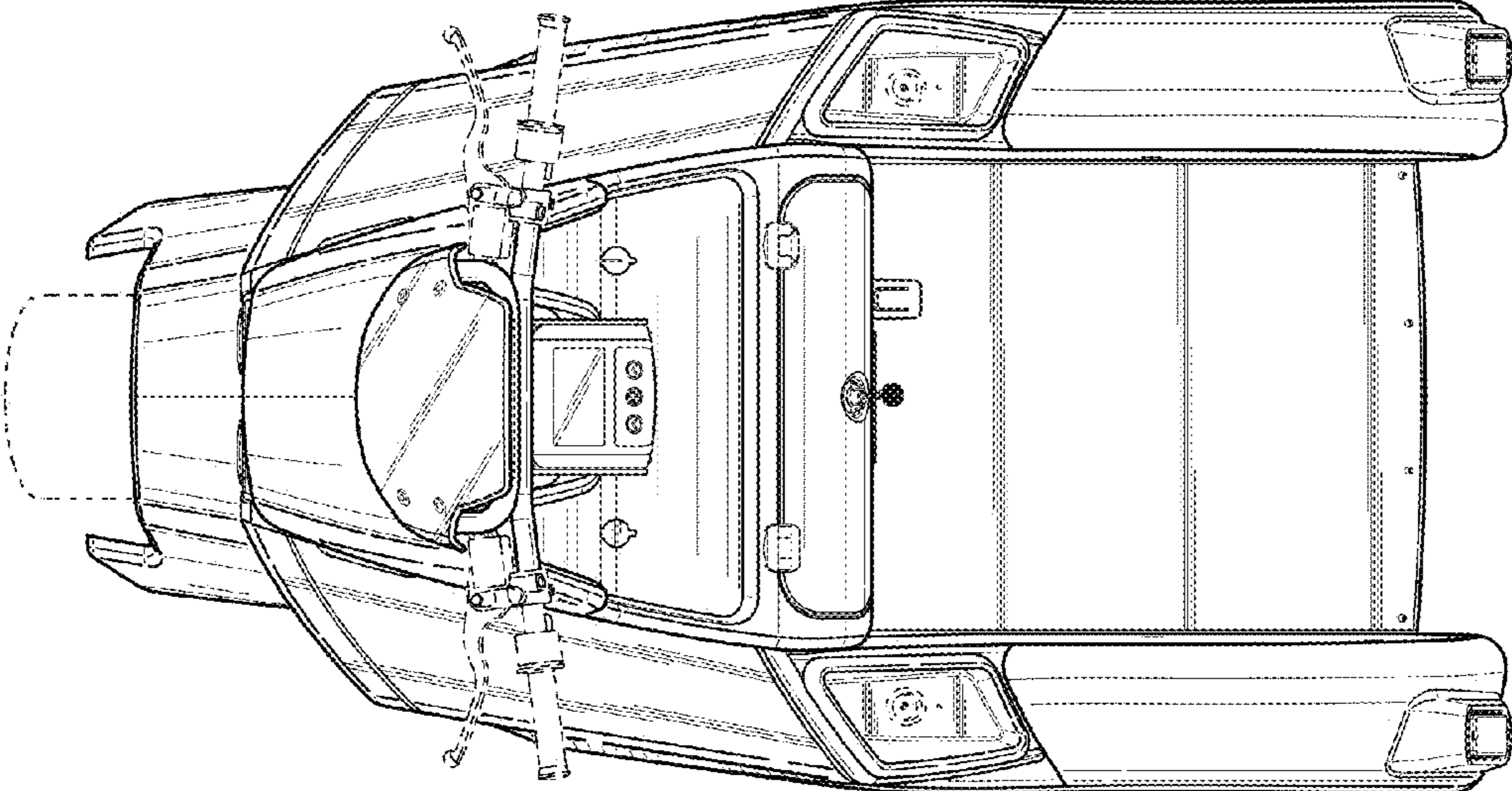


FIG. 7