

US00D766130S

(12) **United States Design Patent**  
**Baron**

(10) **Patent No.:** **US D766,130 S**

(45) **Date of Patent:** **\*\* Sep. 13, 2016**

- (54) **PADDED PROTECTIVE SLEEVE FOR HIP RESTRAINTS ON GOLF AND OTHER TRANSPORTATION CARTS**
- (71) Applicant: **Innovative Accessories, LLC**, Trophy Club, TX (US)
- (72) Inventor: **Dwight David Baron**, Trophy Club, TX (US)
- (73) Assignee: **Innovative Accessories, LLC**, Trophy Club, TX (US)
- (\*\*) Term: **14 Years**
- (21) Appl. No.: **29/517,205**
- (22) Filed: **Feb. 11, 2015**
- (51) **LOC (10) Cl.** ..... **12-02**
- (52) **U.S. Cl.**  
USPC ..... **D12/16; D12/400**
- (58) **Field of Classification Search**  
USPC ..... D12/16, 421, 318, 400; D6/716.2, 356, D6/361, 360, 364, 367; 297/411.2, 411.46; 5/646, 922; 280/751, 748  
CPC ..... B60N 2/449; B60N 2/4492; B60N 2/46; B60N 2/38; B60N 2/4613; B60N 2/2872; B60N 2002/0264; B60N 2/44; B60R 21/04; B60R 21/0428  
See application file for complete search history.

6,468,450	B1 *	10/2002	Takei	.....	B29C 33/123 264/275
6,827,405	B1 *	12/2004	Roberts	.....	A47C 7/546 297/188.18
D549,496	S *	8/2007	Stringfellow	.....	D6/601
D572,069	S *	7/2008	McQueen	.....	D6/611
D729,691	S *	5/2015	Baron	.....	D12/16
D729,692	S *	5/2015	Baron	.....	D12/16
D729,693	S *	5/2015	Baron	.....	D12/16
D730,240	S *	5/2015	Baron	.....	D12/16
D730,241	S *	5/2015	Baron	.....	D12/16
D730,242	S *	5/2015	Baron	.....	D12/16
D730,243	S *	5/2015	Baron	.....	D12/16
2014/0008954	A1 *	1/2014	Ramteke	.....	A47C 1/02 297/256.16
2014/0367949	A1 *	12/2014	Baron	.....	B60R 21/0428 280/751

\* cited by examiner

**OTHER PUBLICATIONS**

Watson, Daniel S., BS, Mehan, Tracy J., MA; Smith, Gary A., MD, DRPH; McKenzie, Lara B., Phd, MA; Golf Cart-Related Injuries in the U.S., Am J Prev Med 2008; 35 (1); Elsevier.

*Primary Examiner* — T. Chase Nelson  
*Assistant Examiner* — Ania Aman  
(74) *Attorney, Agent, or Firm* — Locke Lord LLP

(57) **CLAIM**  
The ornamental design for a padded protective sleeve for hip restraints on golf and other transportation carts, as shown and described.

(56) **References Cited**  
U.S. PATENT DOCUMENTS

2,419,412	A *	4/1947	McArthur	.....	B60N 2/4673 297/188.14
2,871,928	A *	2/1959	Swenson	.....	B60N 2/46 297/411.23
4,867,500	A *	9/1989	Oosterbaan	.....	B60N 2/46 296/37.8
D336,791	S *	6/1993	Stidd	.....	D12/318
5,395,161	A *	3/1995	Spykerman	.....	B60N 2/46 297/411.2
D398,173	S *	9/1998	Velez	.....	D6/601
D431,944	S *	10/2000	Cazarez	.....	D12/421

**DESCRIPTION**

FIG. 1 is a perspective view of a prior art golf cart with the two embodiments of padded protective sleeves for hip restraints on golf and other transportation carts in place showing my new design;  
FIG. 2 is a perspective view of the first embodiment of the padded protective sleeve for hip restraints on golf and other transportation carts;  
FIG. 3 is a perspective view of the first embodiment of the padded protective sleeve for hip restraints on golf and other transportation carts;

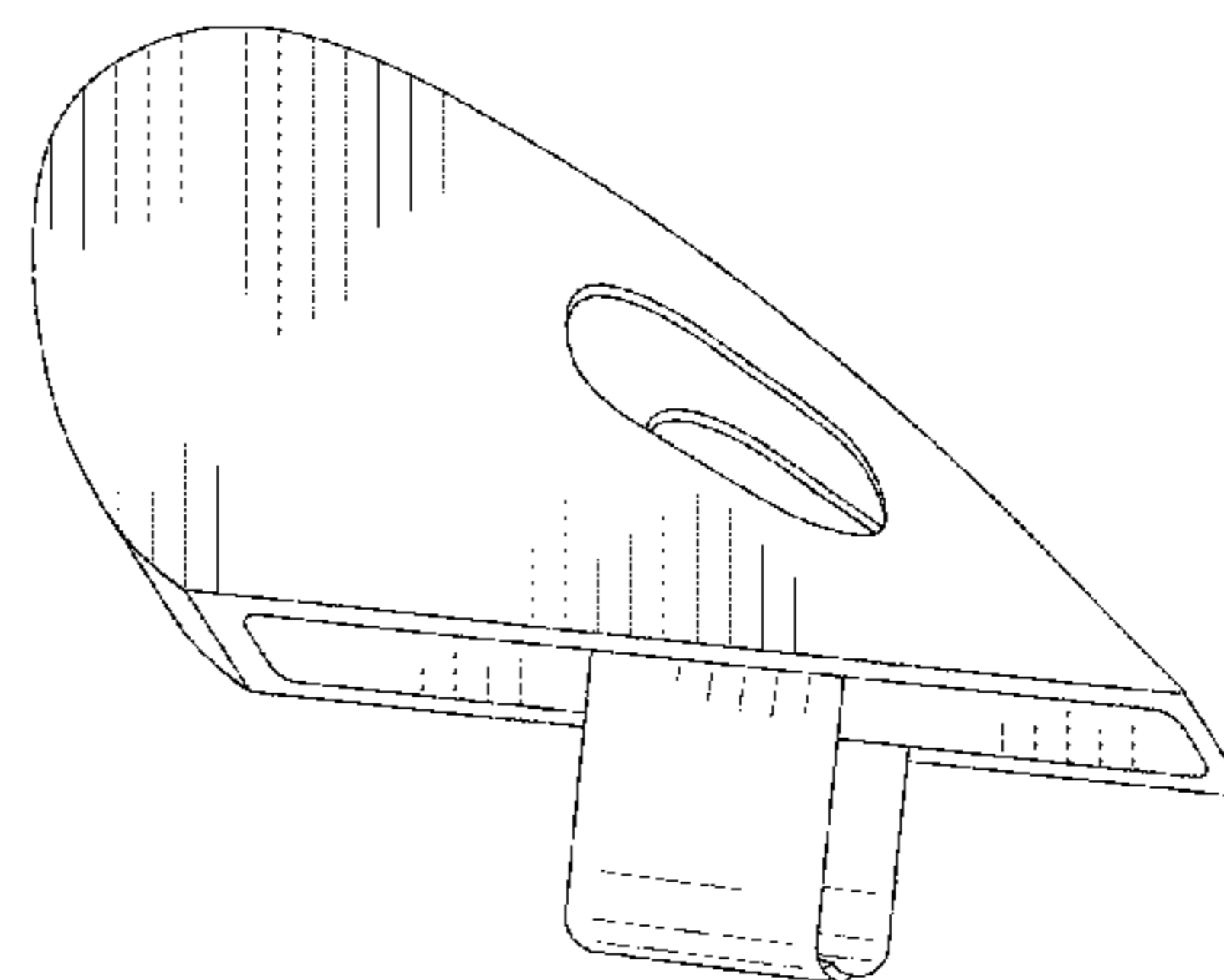
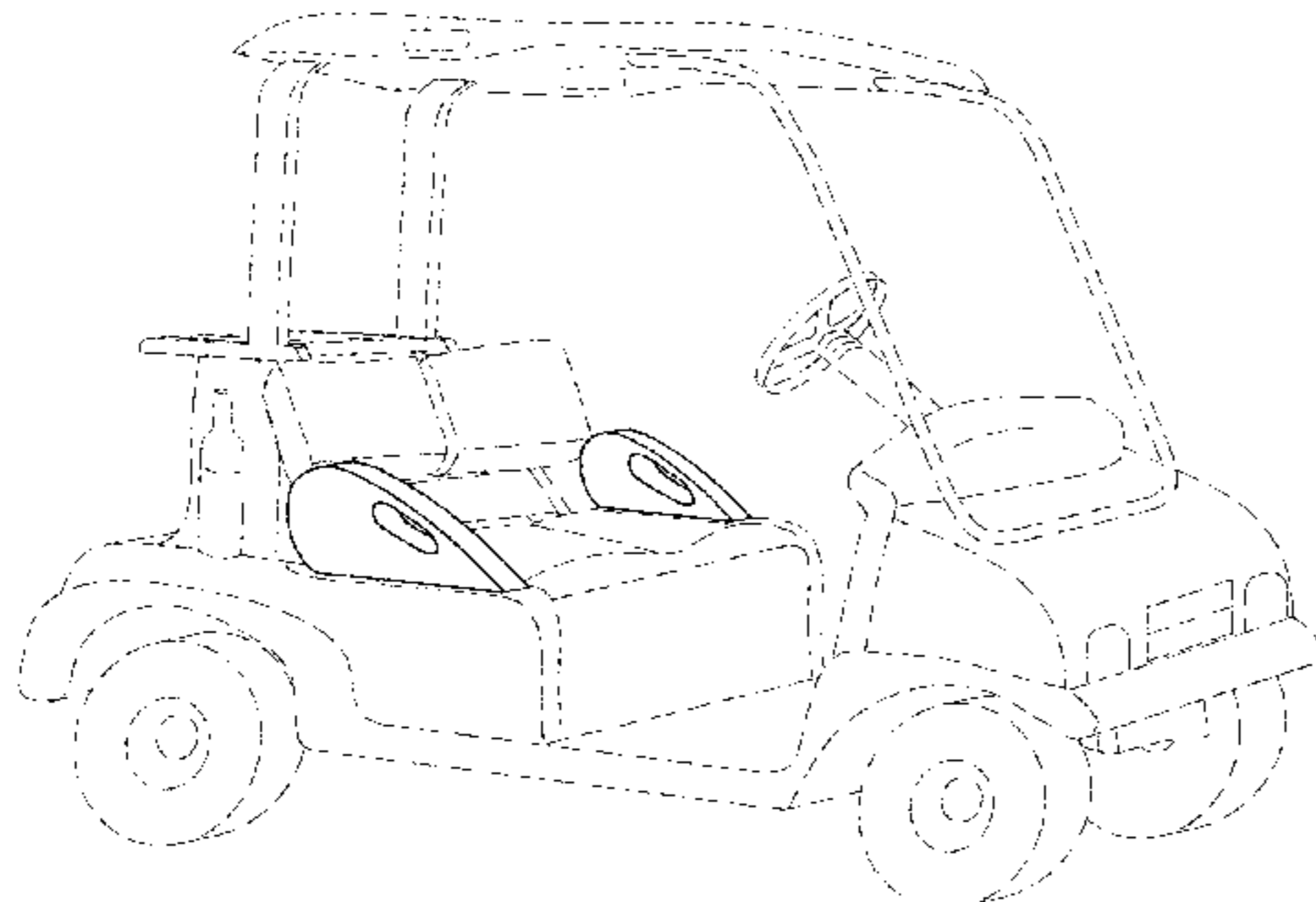


FIG. 4 is a top plan view of the first embodiment of the padded protective sleeve for hip restraints on golf and other transportation carts;

FIG. 5 is a bottom plan view of the first embodiment of the padded protective sleeve for hip restraints on golf and other transportation carts;

FIG. 6 is a left elevation end view of the first embodiment of the padded protective sleeve for hip restraints on golf and other transportation carts;

FIG. 7 is a right elevation end view of the first embodiment of the padded protective sleeve for hip restraints on golf and other transportation carts;

FIG. 8 is a perspective view of the second embodiment of the padded protective sleeve for hip restraints on golf and other transportation carts;

FIG. 9 is a perspective view of the second embodiment of the padded protective sleeve for hip restraints on golf and other transportation carts;

FIG. 10 is a top view of the second embodiment of the padded protective sleeve for hip restraints on golf and other transportation carts;

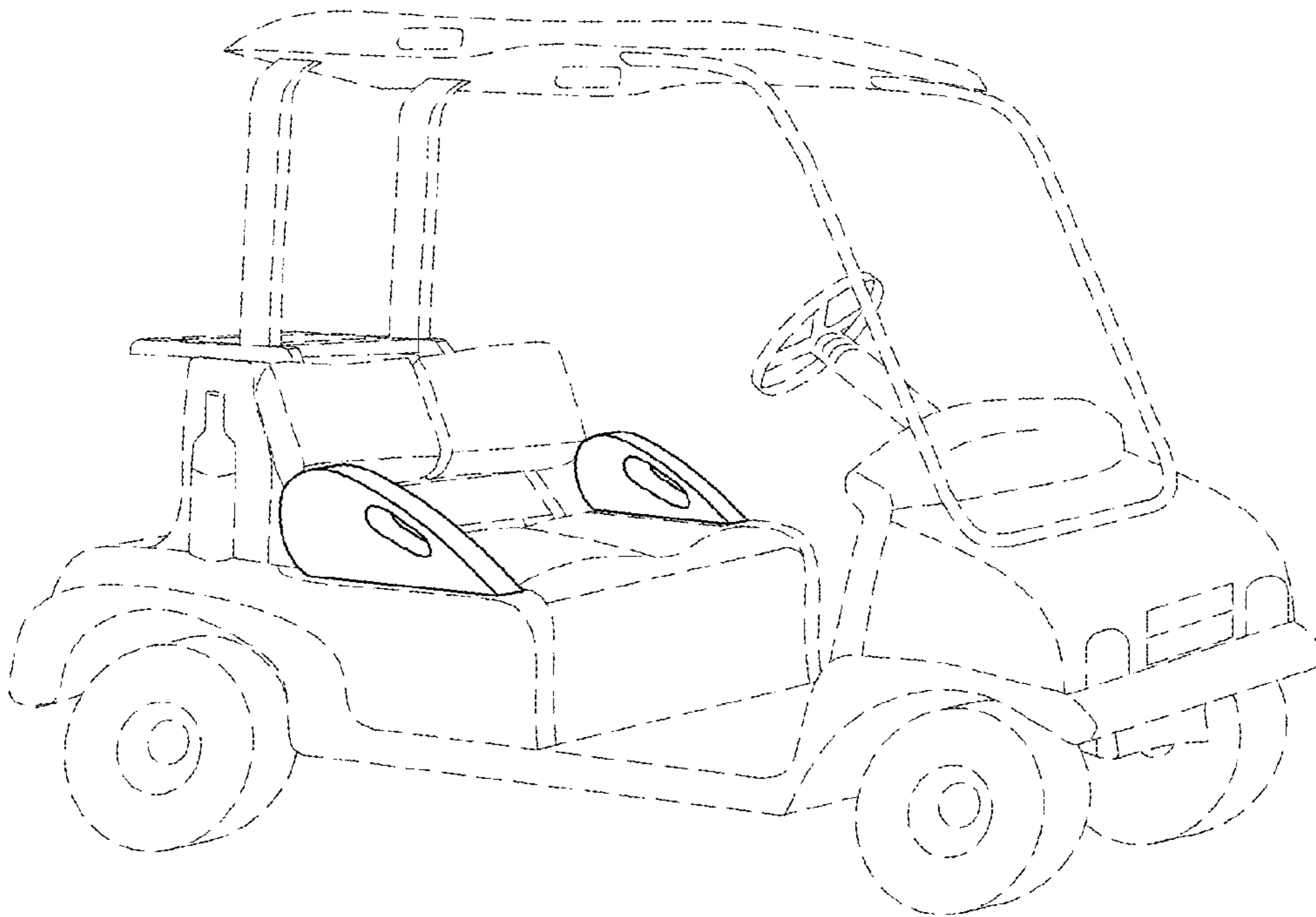
FIG. 11 is a bottom plan view of the second embodiment of the padded protective sleeve for hip restraints on golf and other transportation carts;

FIG. 12 is a left elevation end view of the second embodiment of the padded protective sleeve for hip restraints on golf and other transportation carts; and,

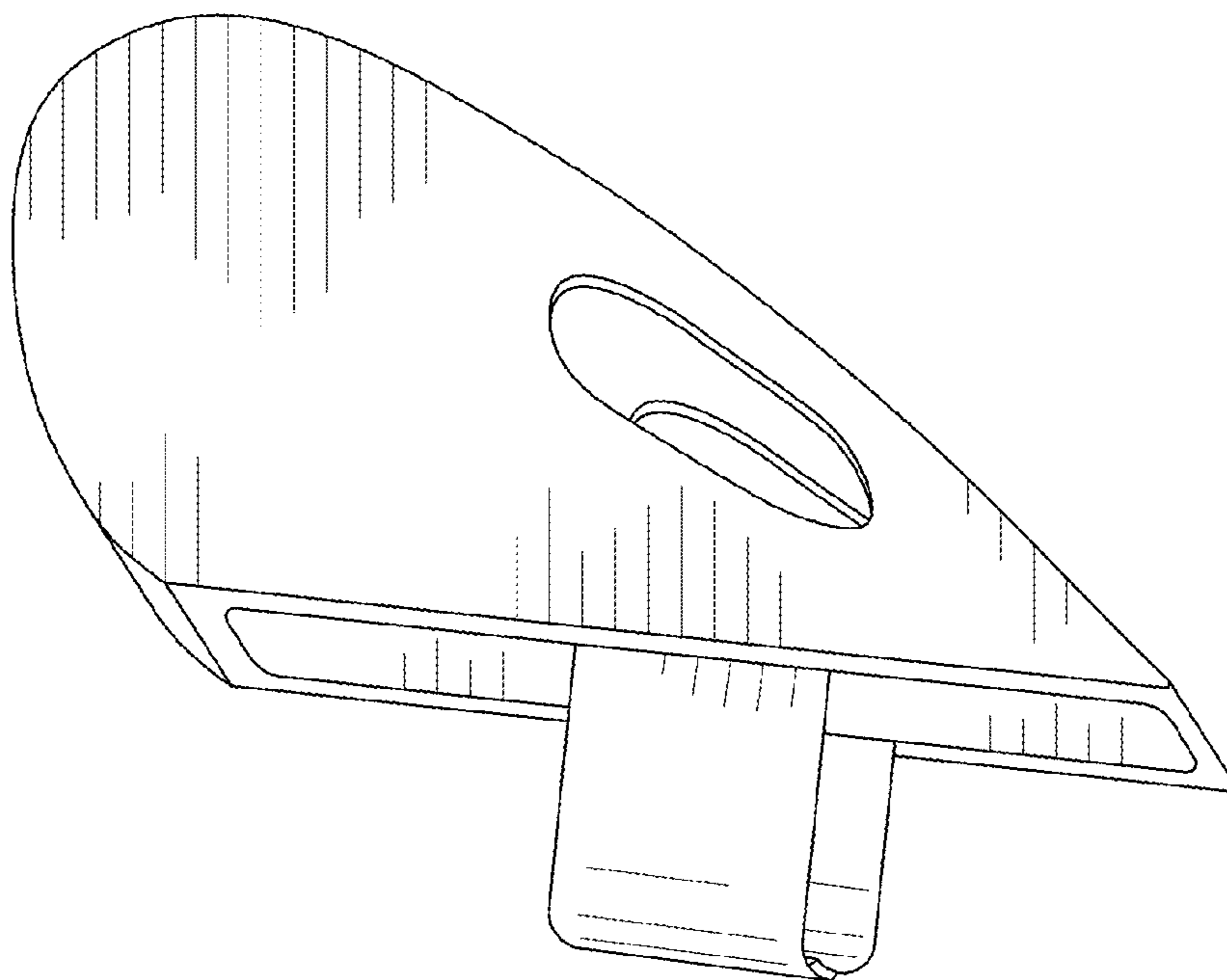
FIG. 13 is a right elevation end view of the second embodiment of the padded protective sleeve for hip restraints on golf and other transportation carts.

The broken line showing of a golf cart in FIG. 1 is included for the purpose of showing the environment in which the padded protective sleeve for hip restraints on golf and other transportation carts is used, and forms no part of the claimed design.

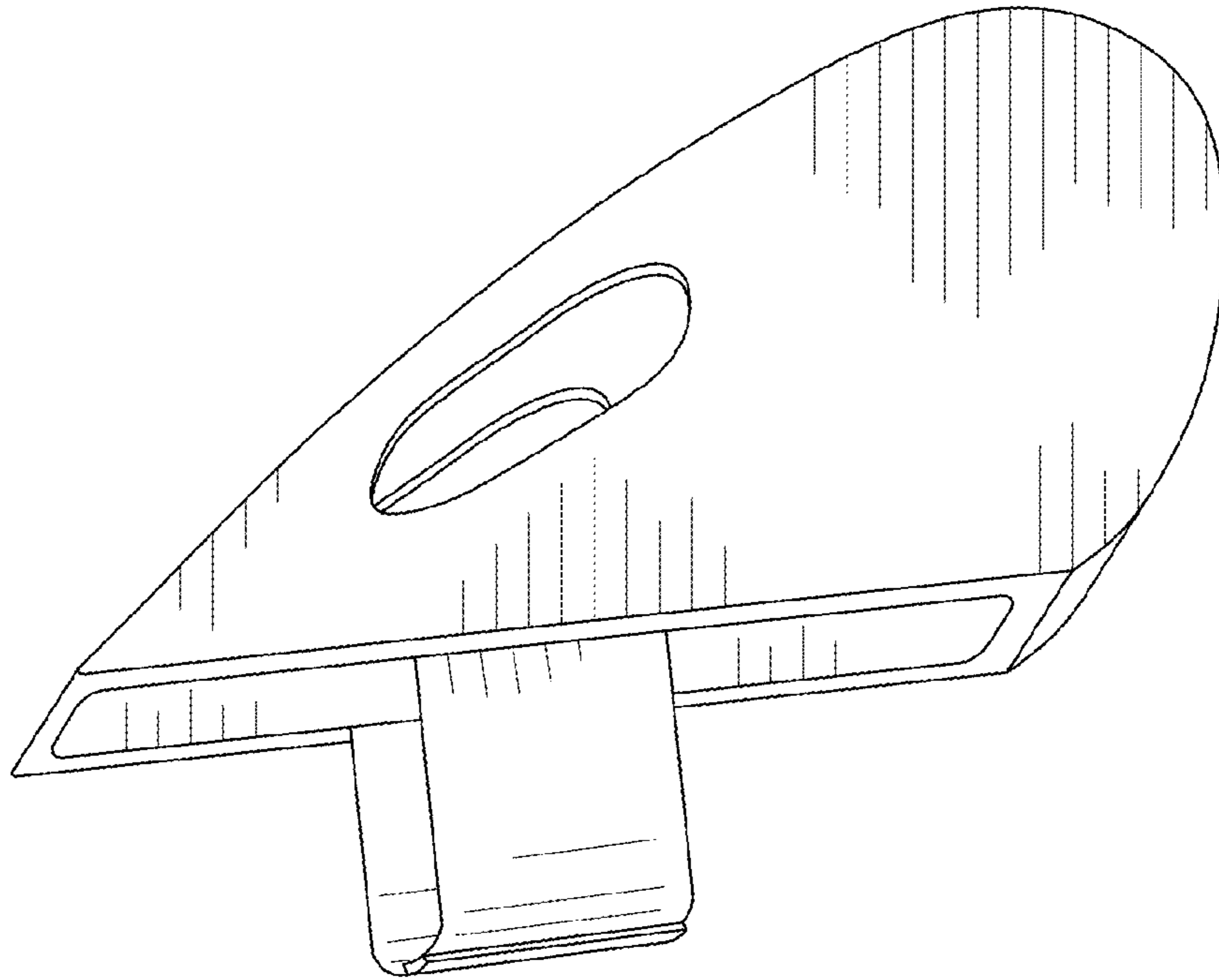
**1 Claim, 6 Drawing Sheets**



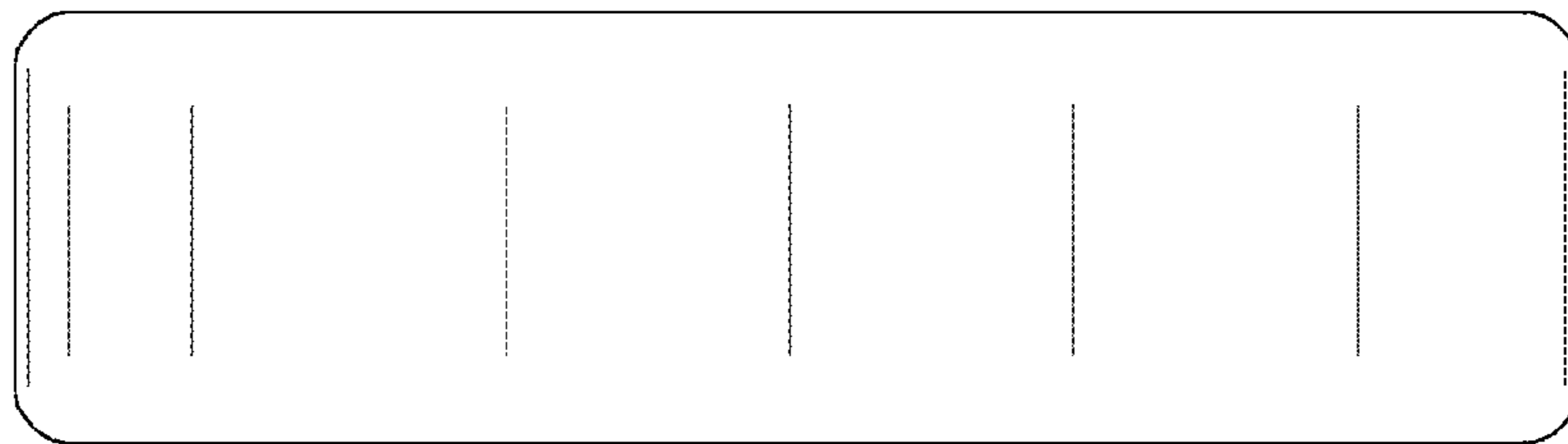
*FIG. 1*



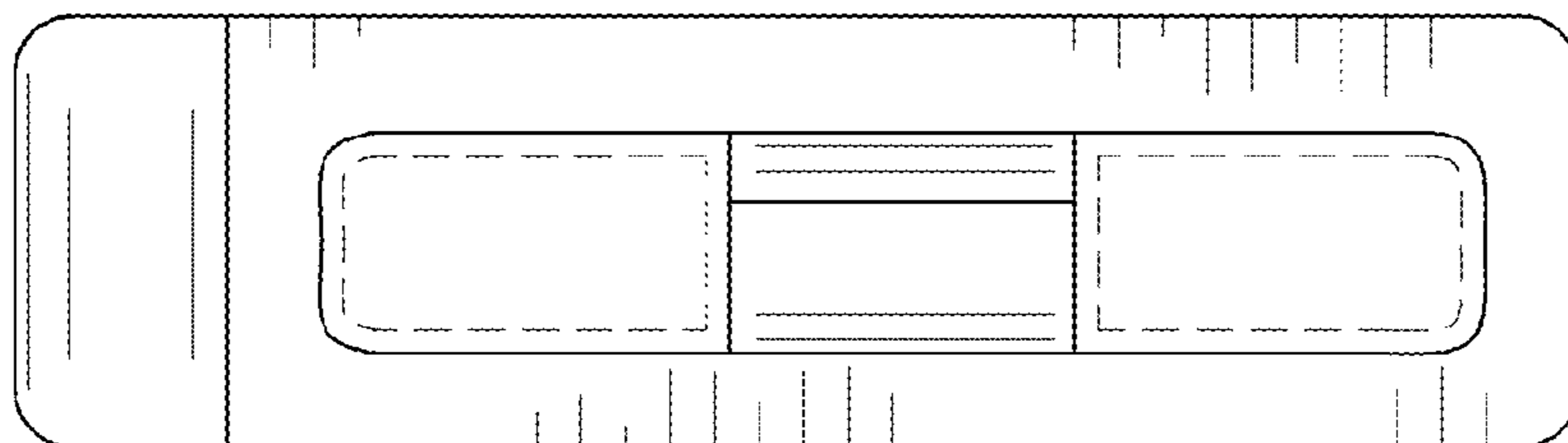
*FIG. 2*



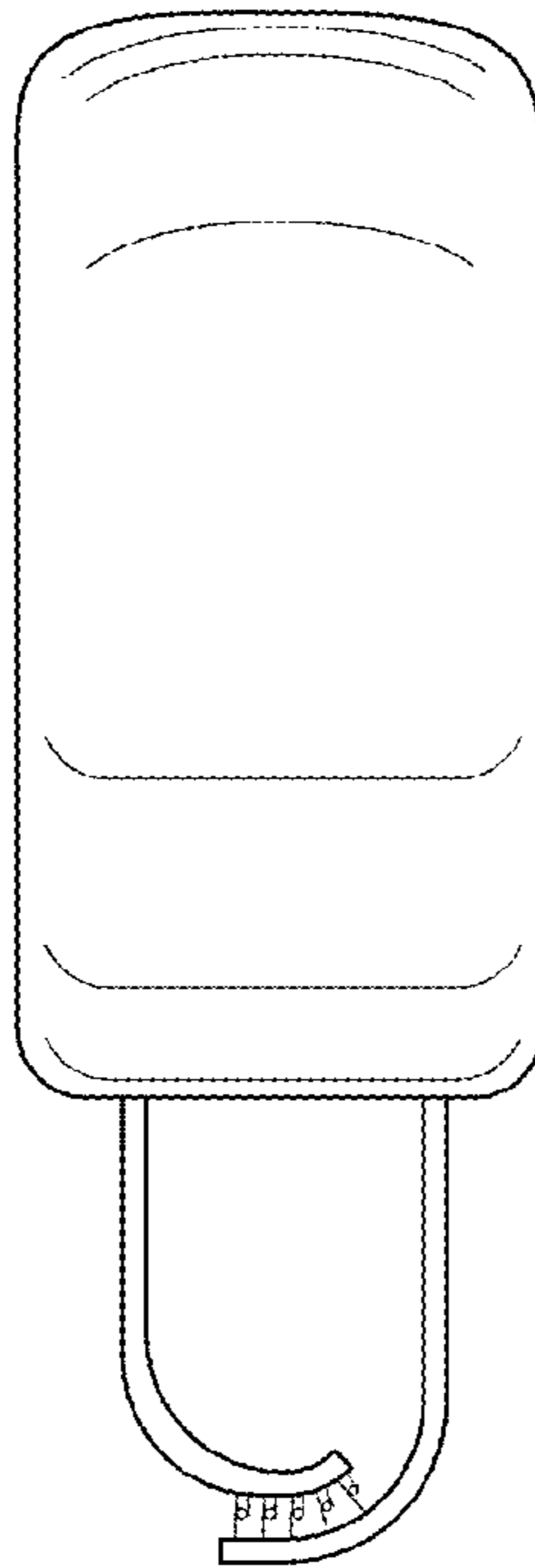
*FIG. 3*



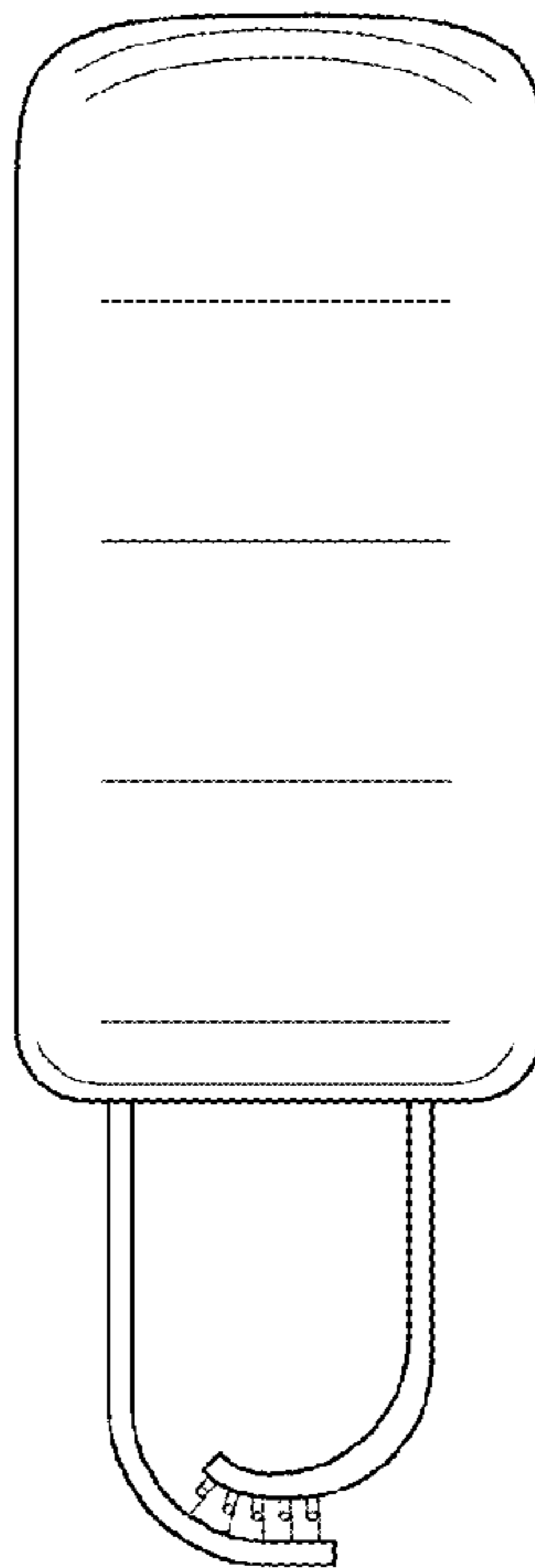
*FIG. 4*



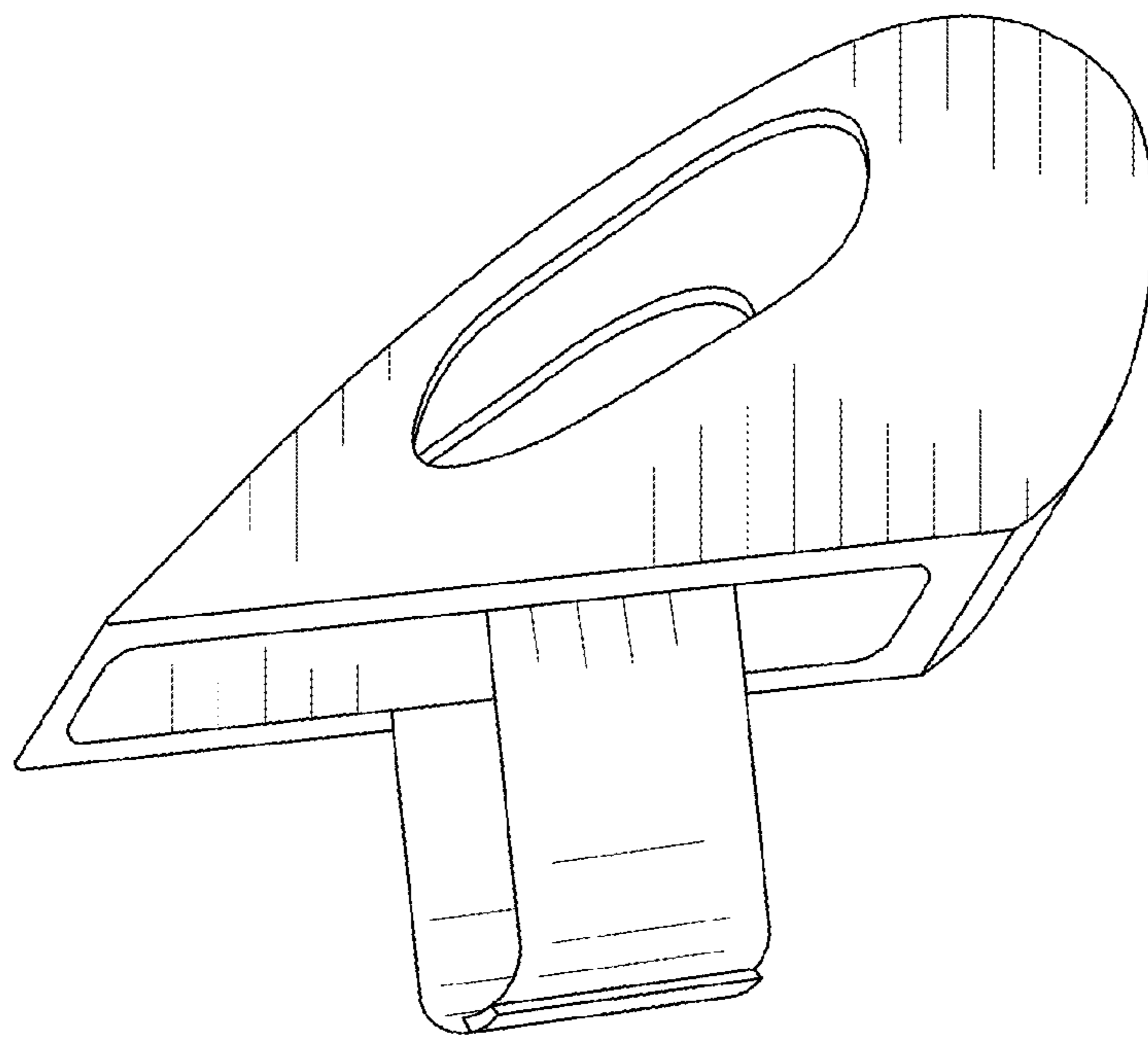
*FIG. 5*



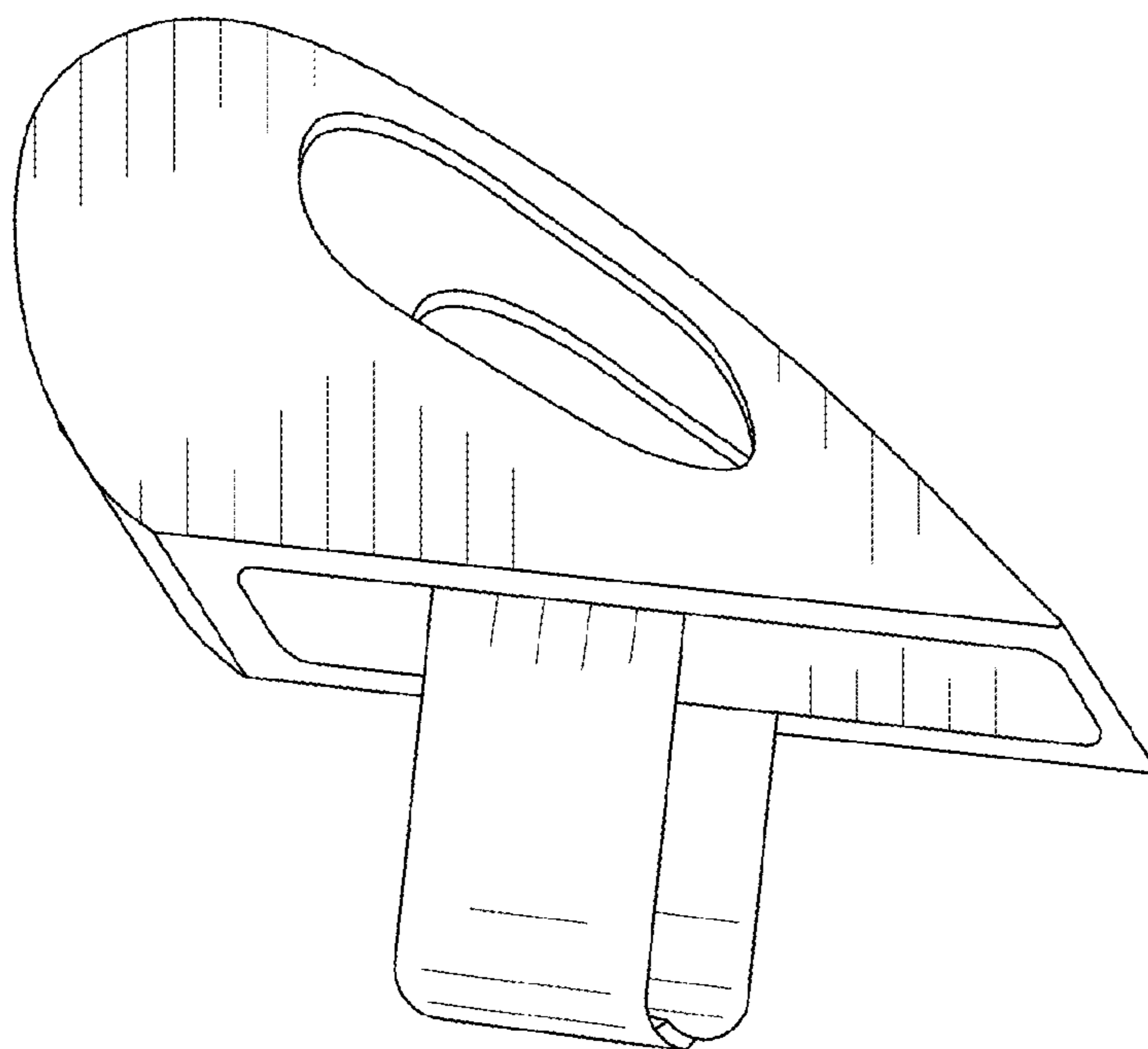
*FIG. 6*



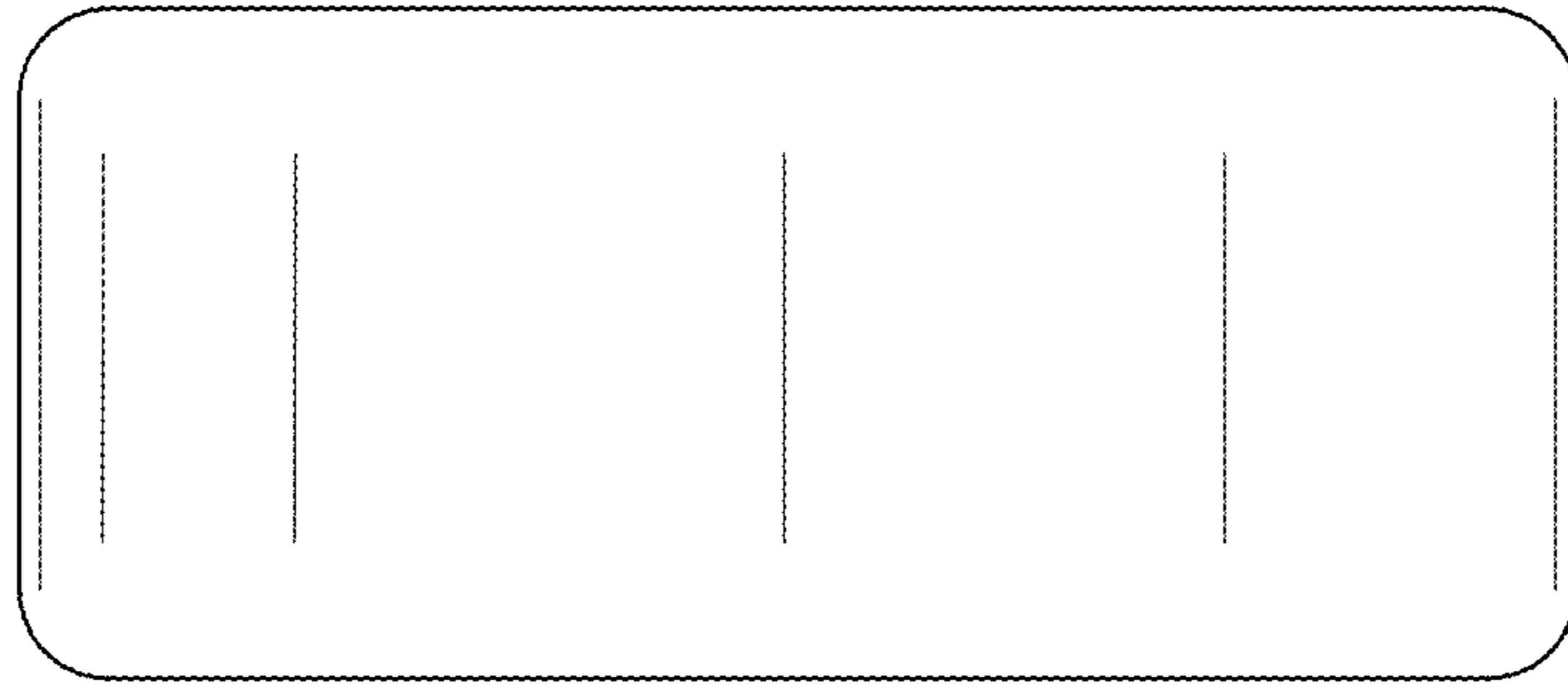
*FIG. 7*



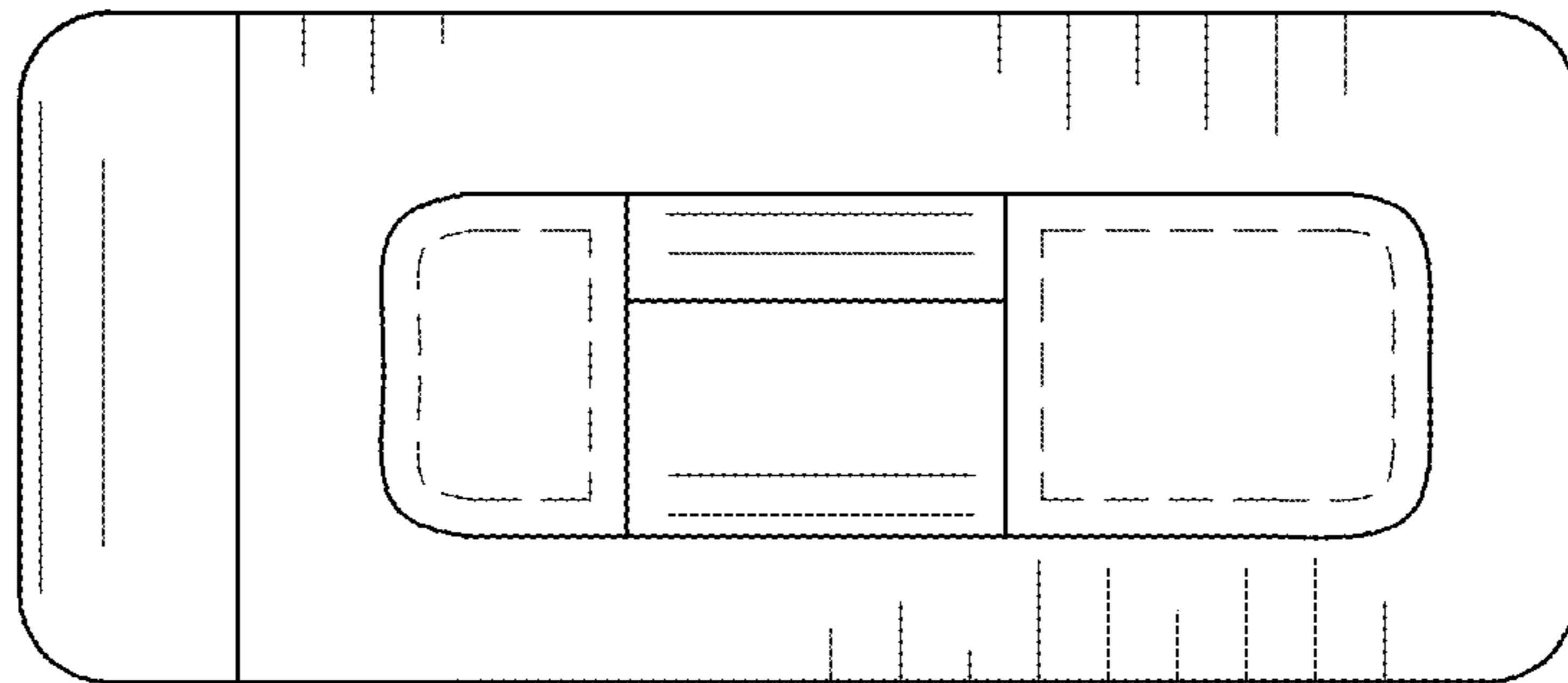
*FIG. 8*



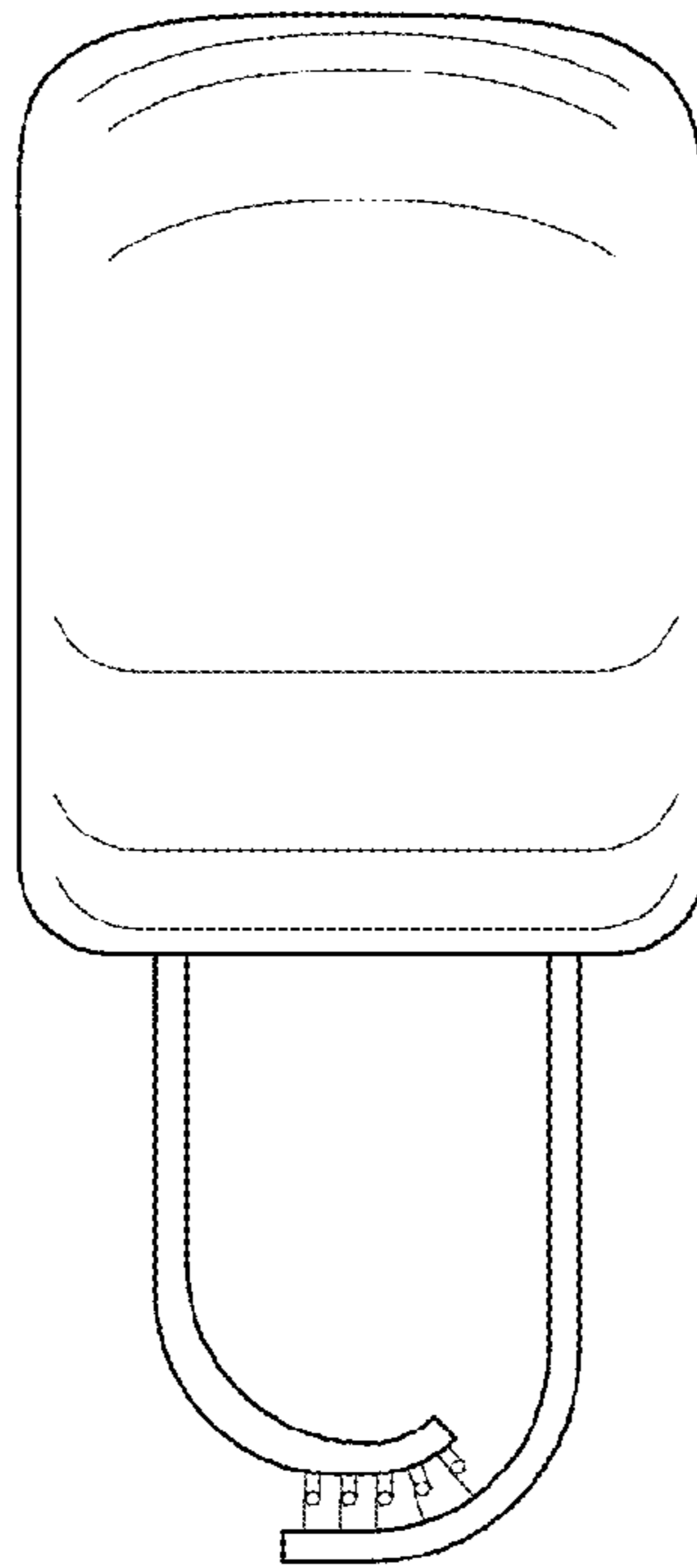
*FIG. 9*



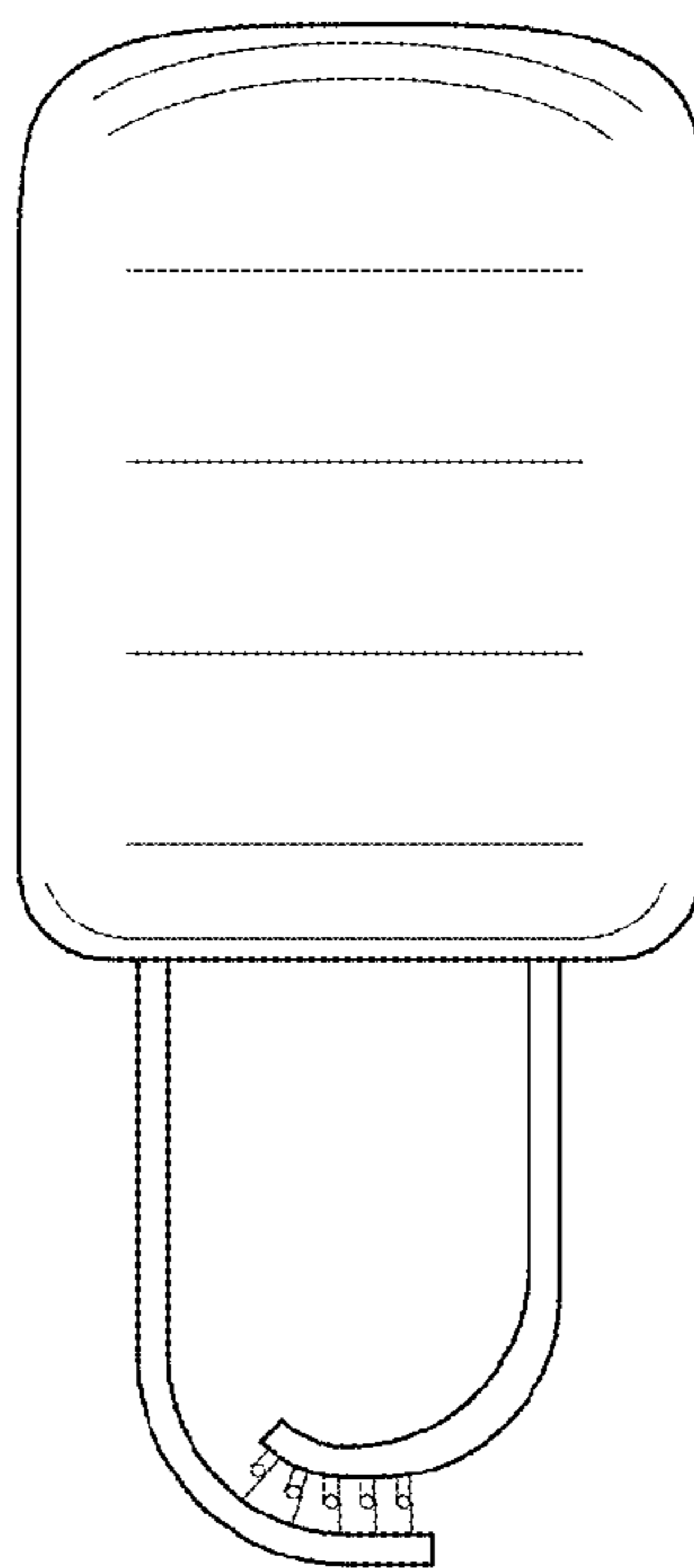
*FIG. 10*



*FIG. 11*



*FIG. 12*



*FIG. 13*