



US00D766128S

(12) **United States Design Patent** (10) **Patent No.:** **US D766,128 S**
Mihlbauer (45) **Date of Patent:** **** Sep. 13, 2016**

- (54) **FISH TANK VASE**
- (71) Applicant: **CENTRAL GARDEN & PET COMPANY**, Walnut Creek, CA (US)
- (72) Inventor: **Brad L. Mihlbauer**, Mukwonago, WI (US)
- (73) Assignee: **CENTRAL GARDEN & PET COMPANY**, Walnut Creek, CA (US)
- (**) Term: **14 Years**
- (21) Appl. No.: **29/524,523**
- (22) Filed: **Apr. 21, 2015**
- (51) **LOC (10) Cl.** **11-02**
- (52) **U.S. Cl.**
USPC **D11/152**
- (58) **Field of Classification Search**
USPC D6/403-405, 556-558; D11/143-156, D11/164; D7/545, 584, 587; 47/67
CPC A01G 9/02; A01G 9/021; A01G 9/023; A01G 9/024; A01G 9/028; A01G 9/04; A01G 9/042; A01G 9/14
See application file for complete search history.

D406,081 S *	2/1999	Antonio	D11/143
D424,471 S *	5/2000	Souris	D11/146
D482,637 S *	11/2003	Gilad	D11/143
D558,853 S *	1/2008	Gu	D23/201
D615,273 S *	5/2010	Magee	D23/202
D632,211 S *	2/2011	Bradley	D11/153
D690,072 S *	9/2013	Harshman	D99/5
9,271,587 B2 *	3/2016	Newby	A47G 7/044

* cited by examiner

Primary Examiner — Elizabeth Albert

(74) *Attorney, Agent, or Firm* — Grossman, Tucker, Perreault & Pfleger, PLLC

(57) **CLAIM**

The ornamental design for a fish tank vase, as shown and described.

DESCRIPTION

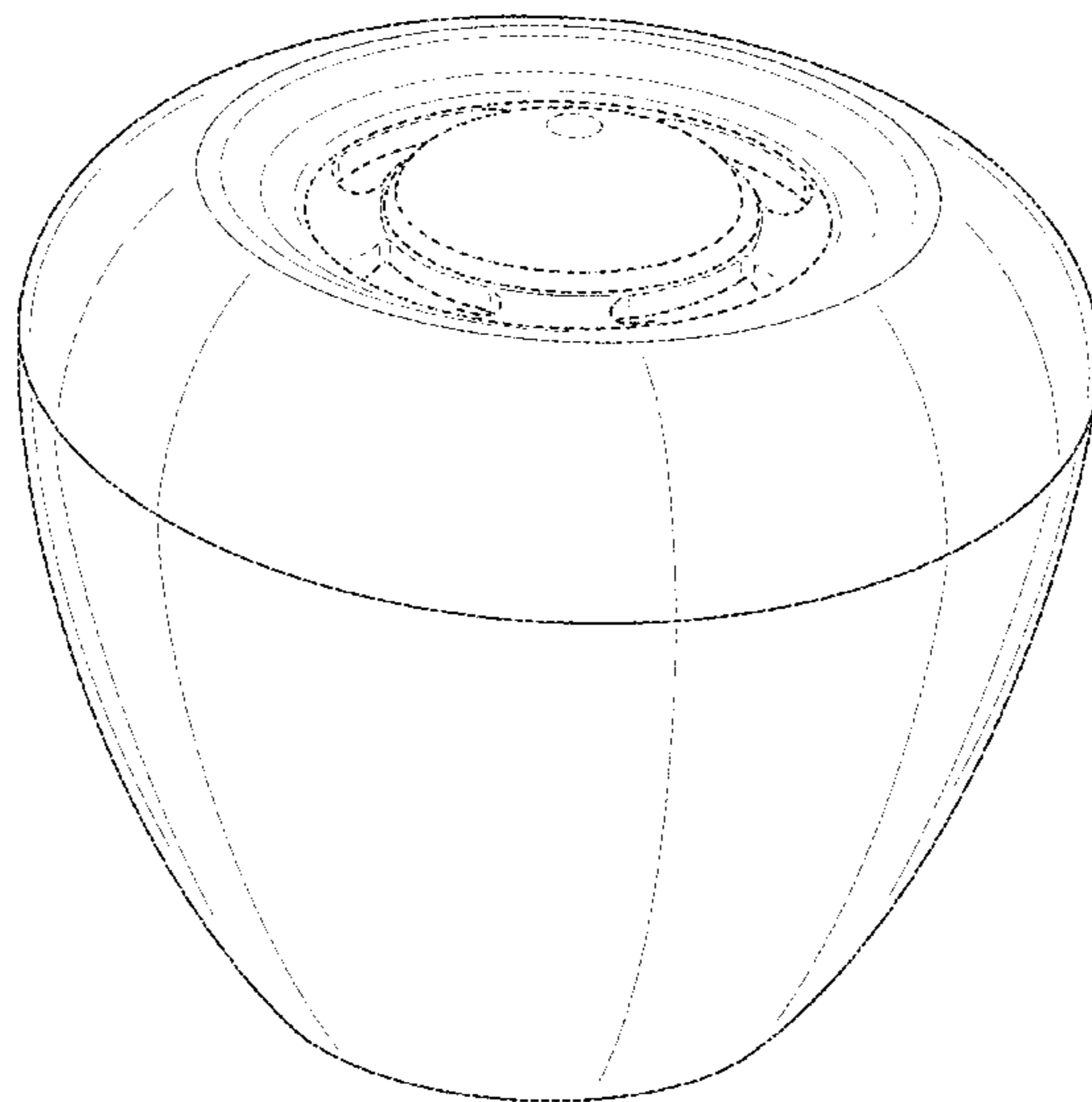
FIG. 1 is a perspective view of a fish tank vase showing my new design;
 FIG. 2 is a side view of thereof;
 FIG. 3 is a top view thereof;
 FIG. 4 is a bottom view thereof;
 FIG. 6 is another top view thereof in a different environment;
 FIG. 7 is still another view thereof in a different environment; and,
 FIG. 8 is still another view thereof in a different environment.
 The broken lines shown in the drawings are included for the purpose of illustrating environmental structure and form no part of the claimed design.
 The additional FIGS. 6-8 show top views of the fish tank vase in different environments, it being understood that all other views of the claimed design are the same as FIGS. 1, 2, 4, and 5.

(56) **References Cited**

U.S. PATENT DOCUMENTS

D42,402 S *	4/1912	Simons	D11/153
D85,918 S *	1/1932	Dugdale	D11/153
D85,919 S *	1/1932	Dugdale	D11/153
D185,488 S *	6/1959	Burck et al.	D11/154
D203,191 S *	12/1965	Kaplan	D11/150
4,525,950 A *	7/1985	Glassman	A47G 7/06 428/13
D345,848 S *	4/1994	May	D11/152
5,353,546 A *	10/1994	Bock	A61L 9/12 239/51.5
D362,647 S *	9/1995	Rahr	D11/152

1 Claim, 8 Drawing Sheets



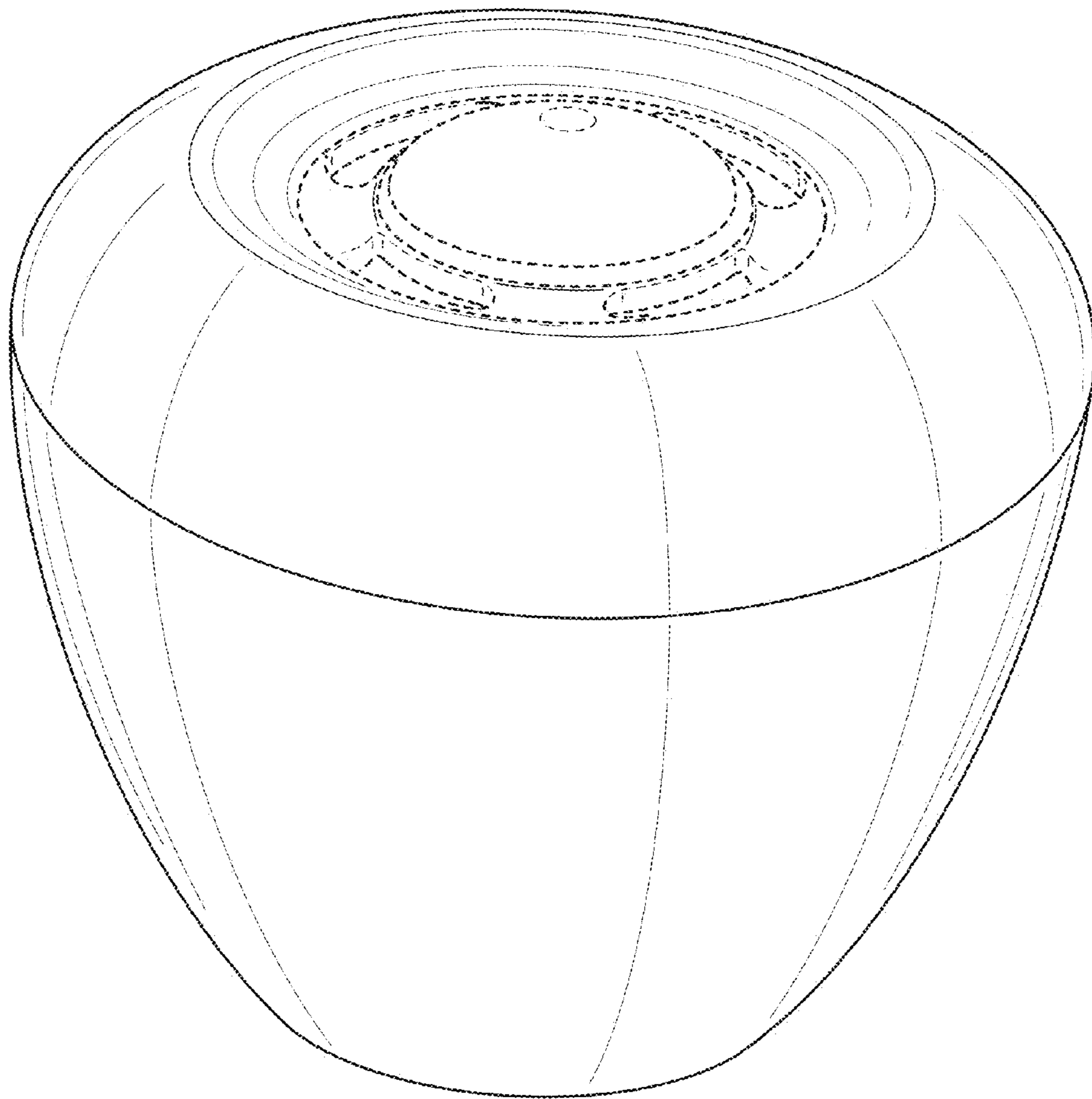


FIG. 1

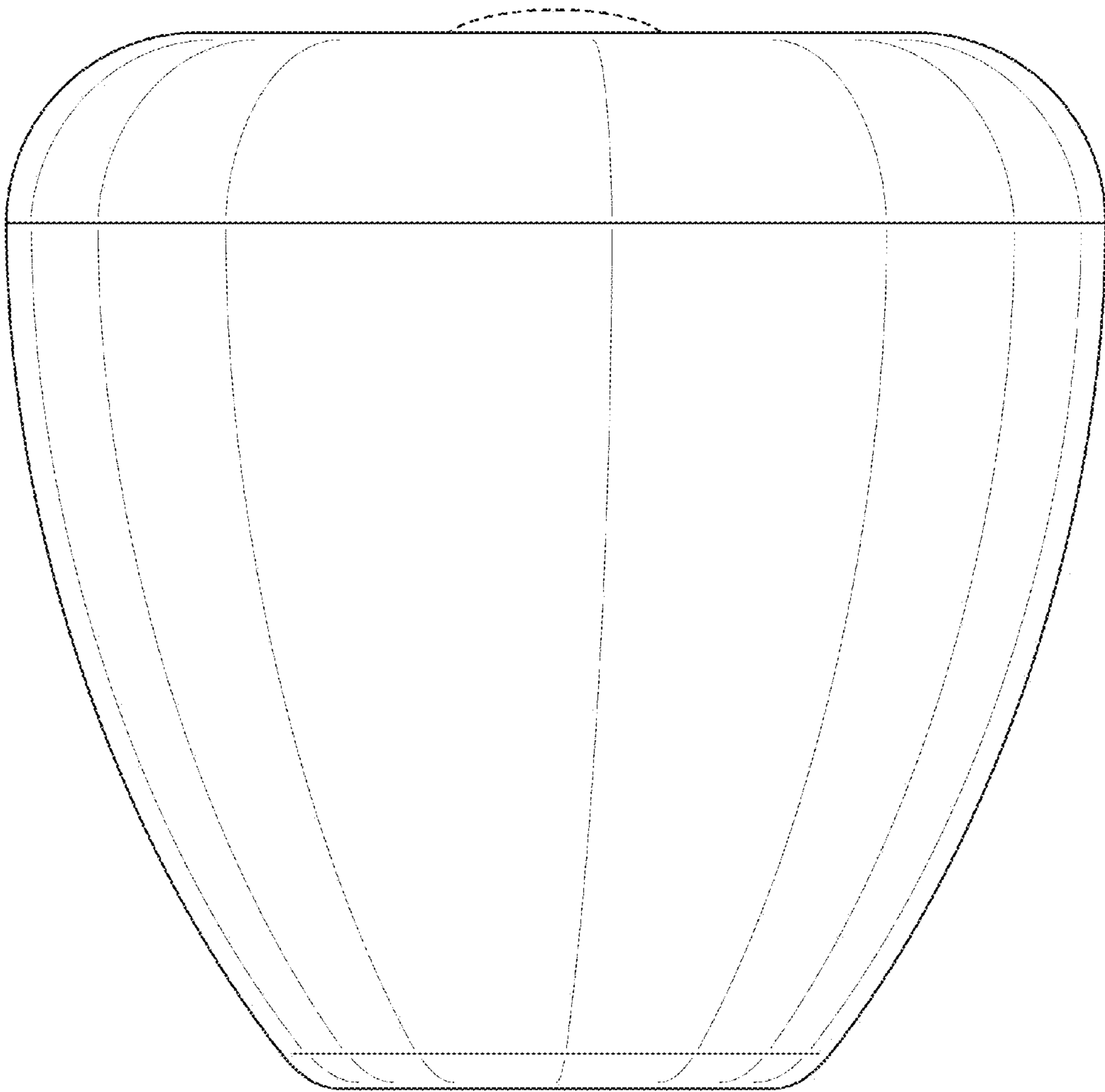


FIG. 2

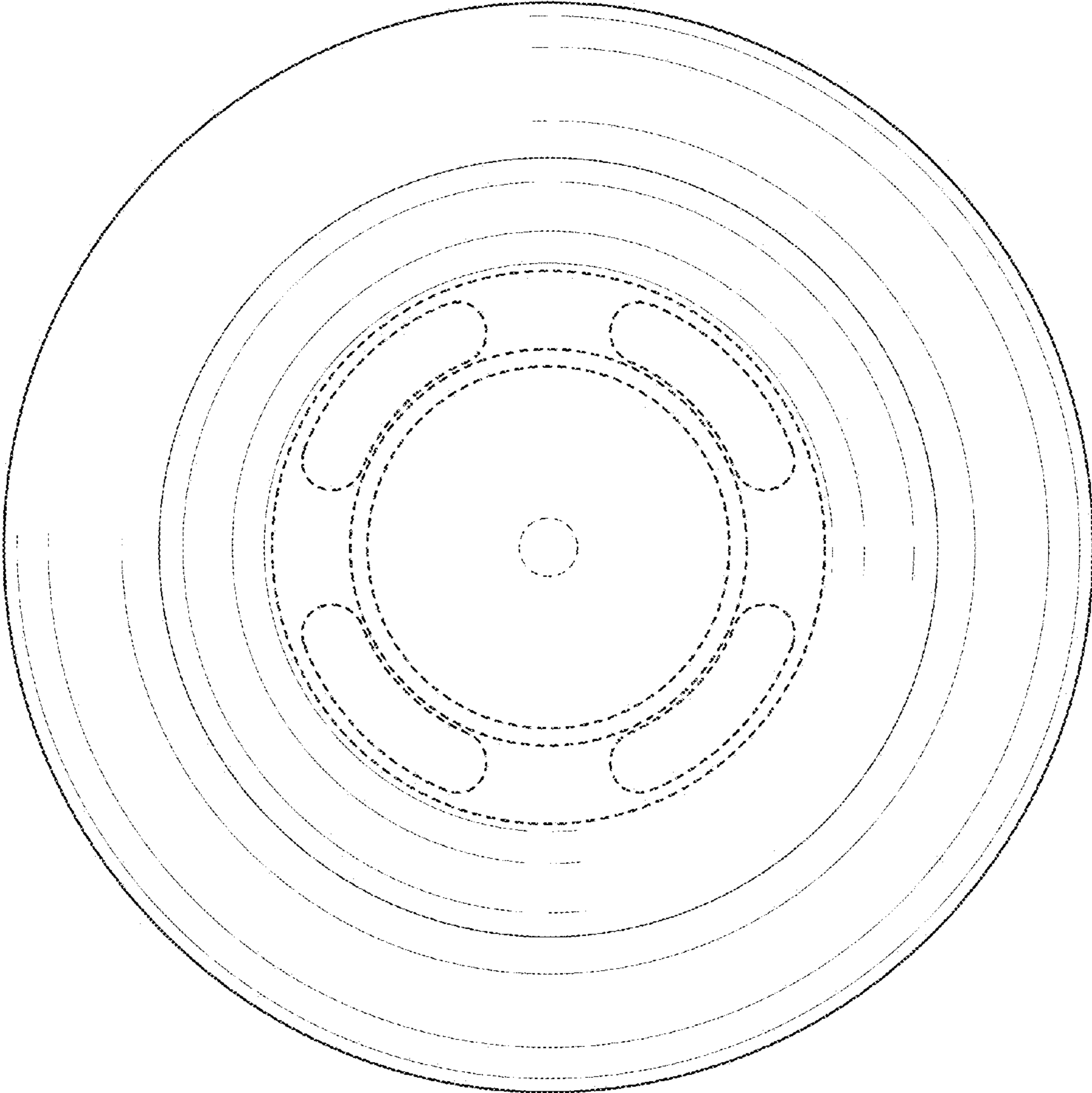


FIG. 3

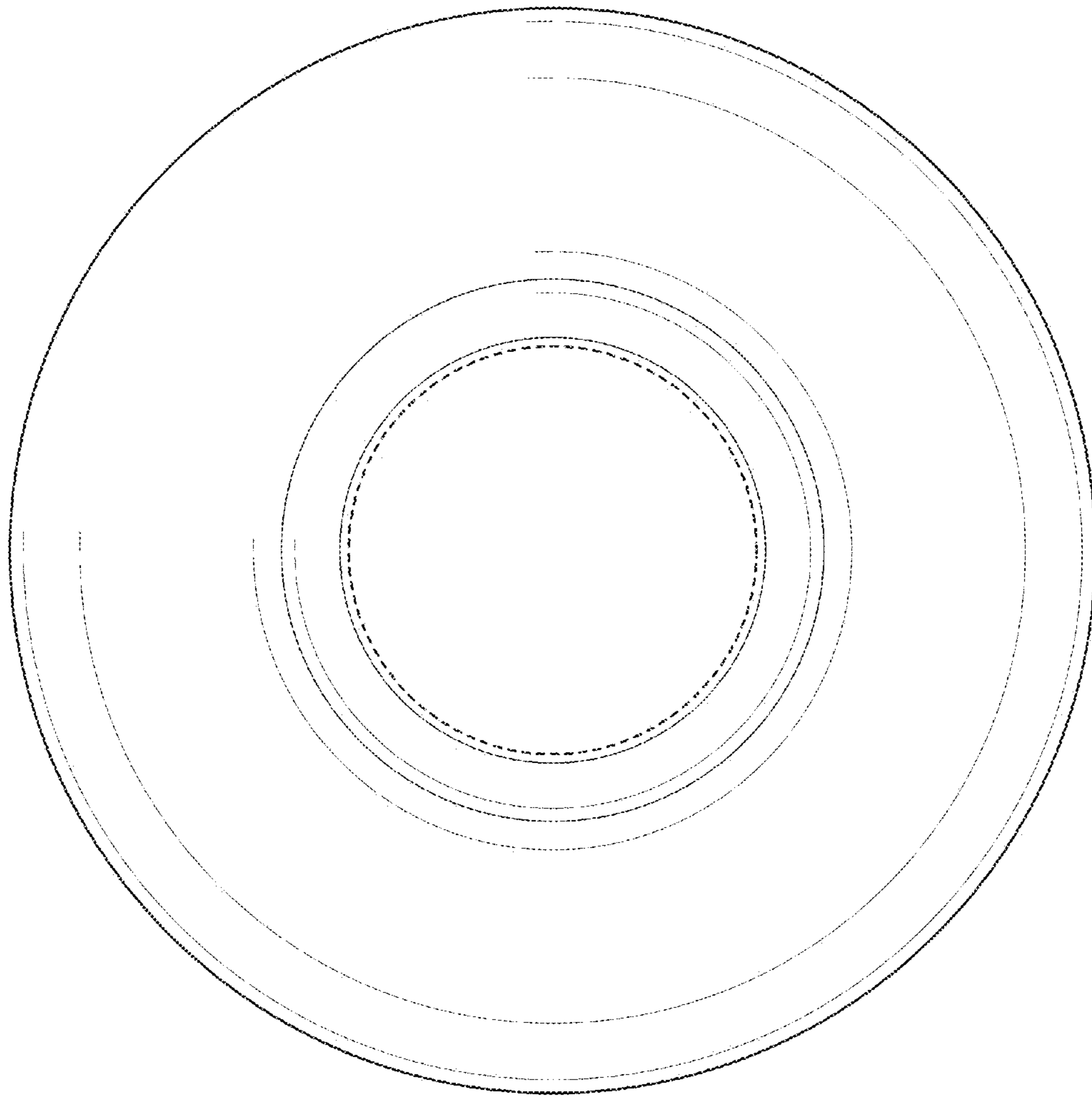


FIG. 4

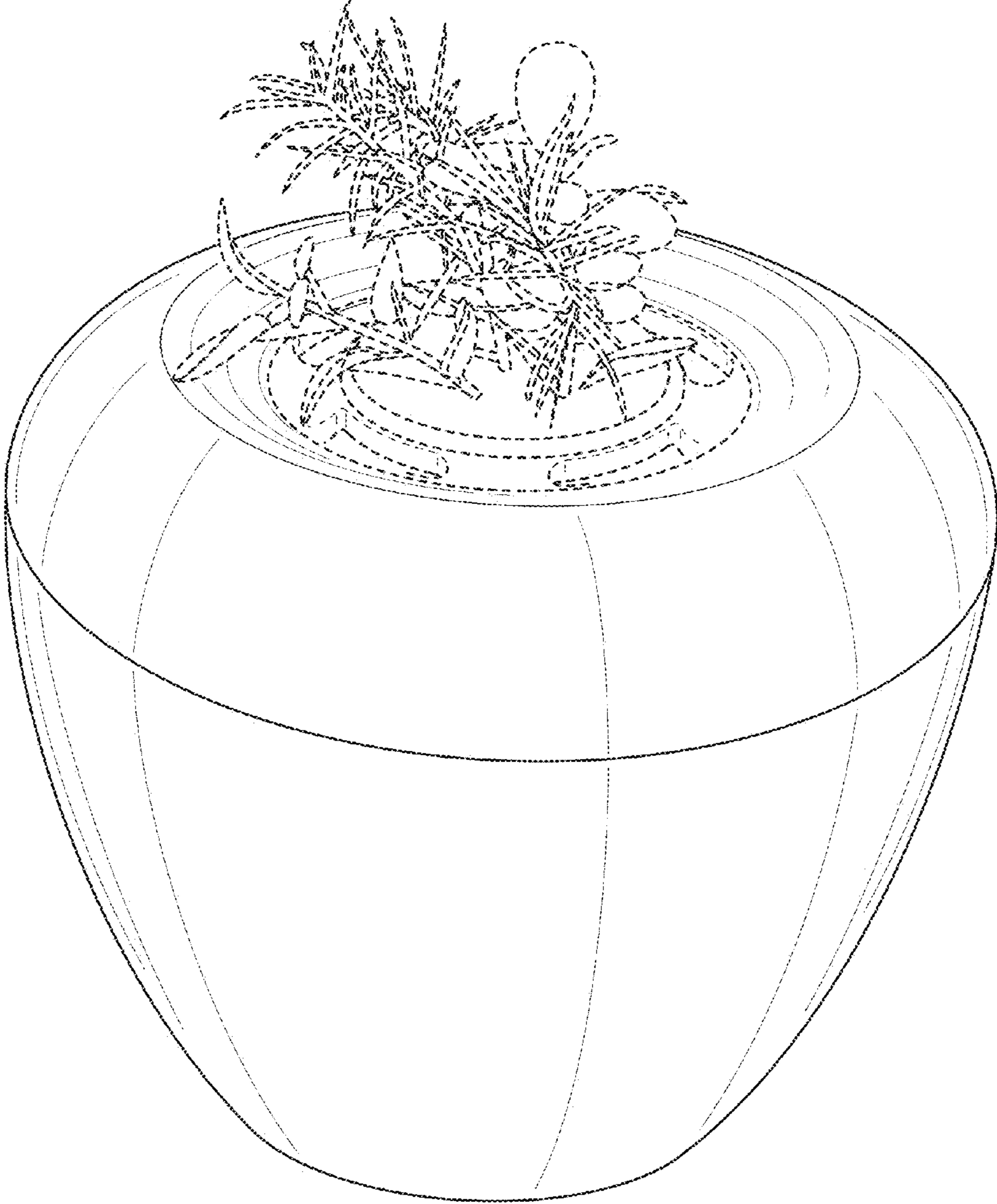


FIG. 5

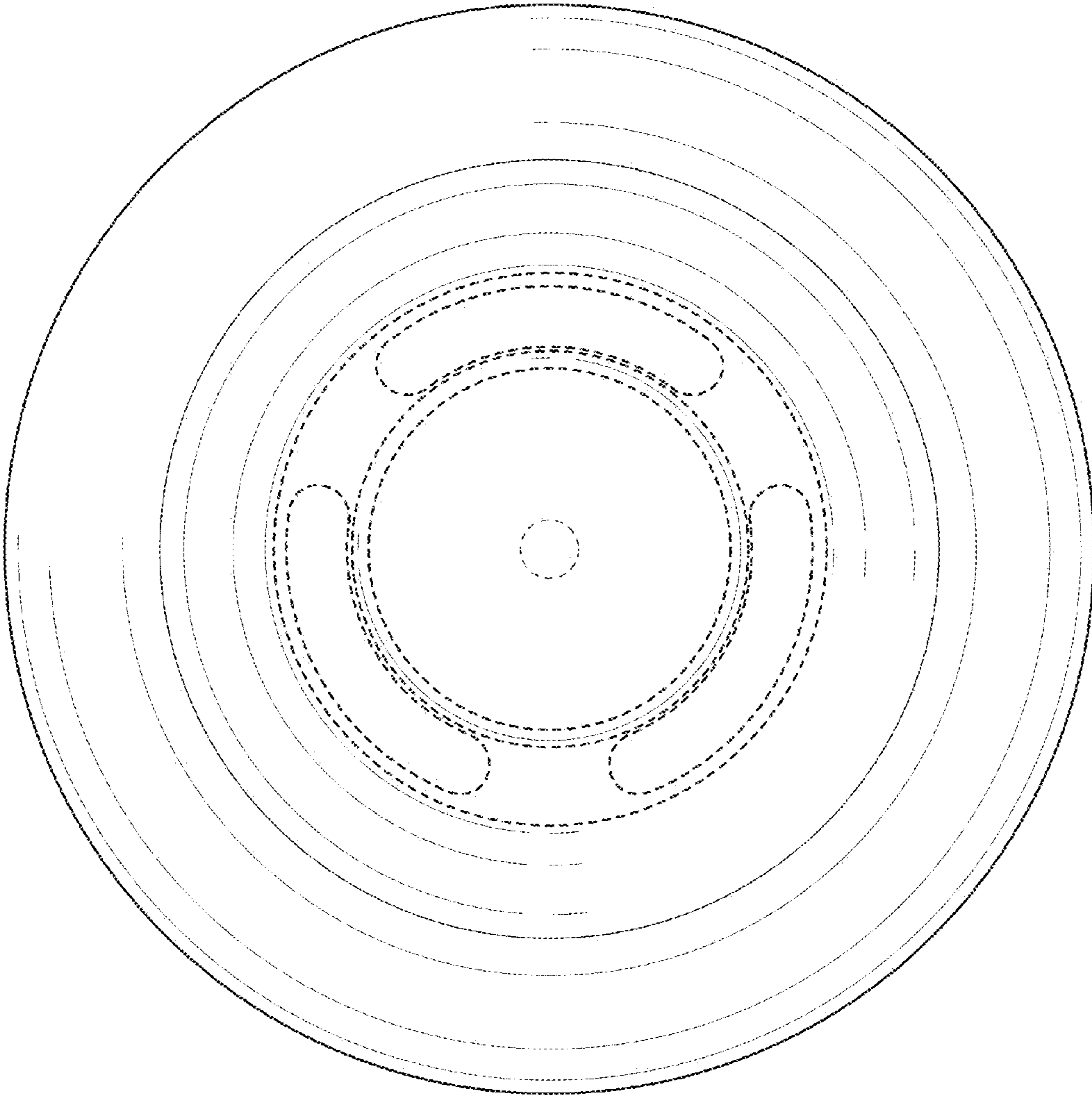


FIG. 6

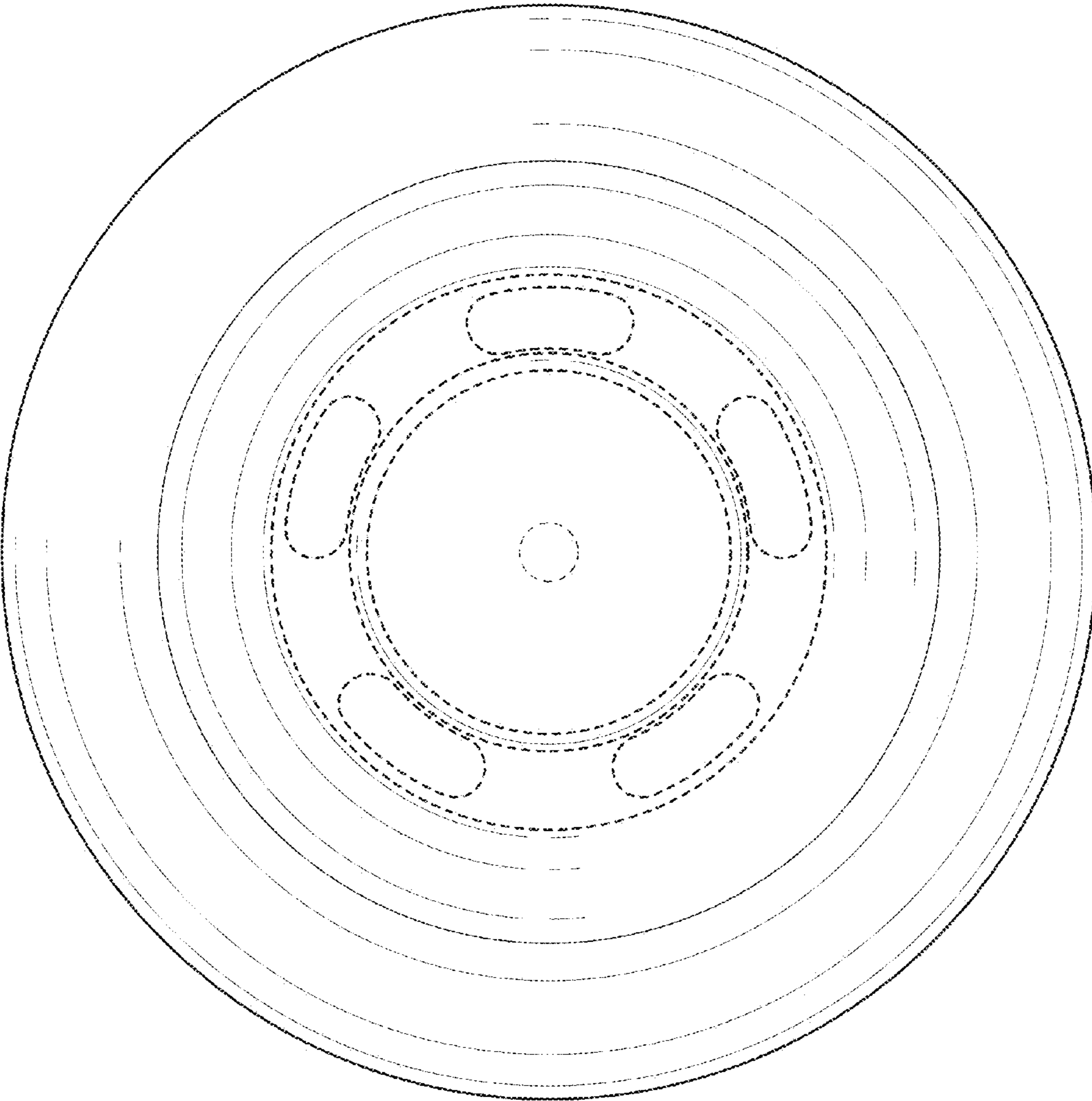


FIG. 7

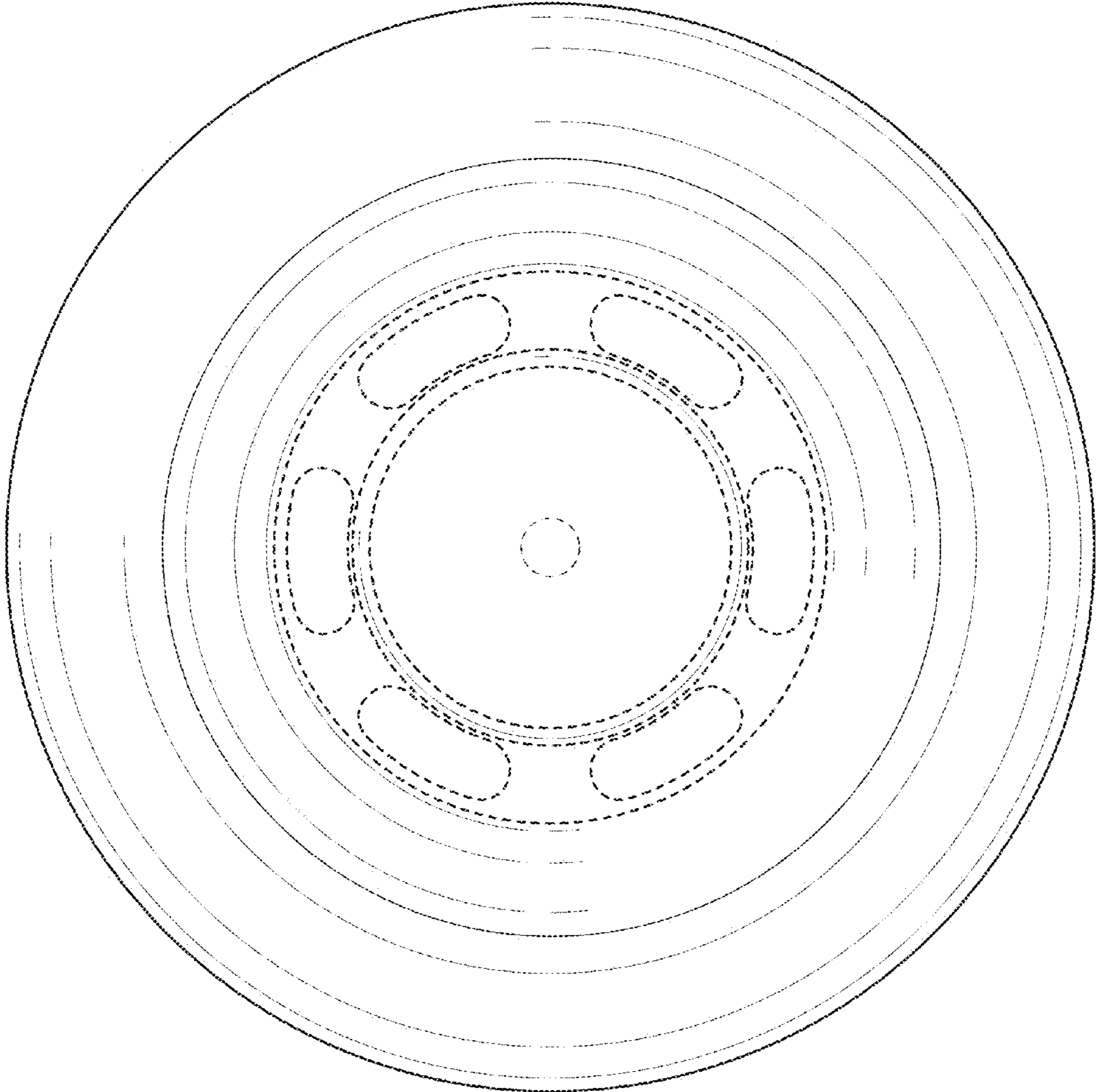


FIG. 8