



US00D766127S

(12) **United States Design Patent** (10) **Patent No.:** **US D766,127 S**
Siegel et al. (45) **Date of Patent:** **** Sep. 13, 2016**

(54) **PLANTER**

- (71) Applicant: **Apple Inc.**, Cupertino, CA (US)
- (72) Inventors: **Jonathan P. Siegel**, San Francisco, CA (US); **Christopher M. Green**, Woodside, CA (US); **Christopher Daniel Peak**, Oakland, CA (US); **Patrick O'Brien**, West Nyack, NY (US); **Jennifer Ross Wynn**, San Francisco, CA (US); **Richard P. Howarth**, San Francisco, CA (US); **Stefan Behling**, London (GB); **David Summerfield**, London (GB); **James McGrath**, Cupertino, CA (US); **Rafe Bertram**, London (GB); **Raoul Skrein Bumballa**, London (GB); **Susana Varela De Sagarra**, London (GB); **Neil Bancroft**, London (GB); **Charlotte Hofstetter**, San Francisco, CA (US); **Andrea Fender Badgley**, San Francisco, CA (US); **John De Maio**, Cupertino, CA (US); **Afroditi Kavallieraki**, London (GB)
- (73) Assignee: **Apple Inc.**, Cupertino, CA (US)
- (**) Term: **14 Years**
- (21) Appl. No.: **29/522,921**
- (22) Filed: **Apr. 3, 2015**

Related U.S. Application Data

- (63) Continuation-in-part of application No. 29/517,034, filed on Feb. 9, 2015.
- (51) **LOC (10) Cl.** **11-02**
- (52) **U.S. Cl.**
USPC **D11/152**
- (58) **Field of Classification Search**
USPC D6/403-405, 556-558; D11/143-156, D11/164; D7/545, 584, 587; 47/67
CPC A01G 9/02; A01G 9/021; A01G 9/023; A01G 9/024; A01G 9/028; A01G 9/04; A01G 9/042; A01G 9/14
See application file for complete search history.

(56) **References Cited**

U.S. PATENT DOCUMENTS

2,598,763	A *	6/1952	De Roo	F24F 13/062 454/310
3,284,039	A *	11/1966	Brunner	A47G 7/041 248/121
D229,080	S *	11/1973	Mihm	D11/146
D241,462	S *	9/1976	Criscklello	D11/152
4,515,108	A *	5/1985	Rankin, Jr.	A01G 9/02 119/428
D279,175	S *	6/1985	Eklof	D11/143
4,540,417	A *	9/1985	Poler	A61F 9/0017 424/429
4,561,476	A *	12/1985	Bunkoczy	B65D 88/04 141/311 R
5,704,162	A *	1/1998	Holtkamp, Jr.	A01G 27/04 47/79
6,006,472	A *	12/1999	Holtkamp, Jr.	A61L 9/127 47/79
6,055,773	A *	5/2000	Yang	A01G 9/02 119/61.1
D428,120	S *	7/2000	Zaldivar	D23/261
D439,682	S *	3/2001	Murdick	D26/7

(Continued)

Primary Examiner — Elizabeth Albert

(74) *Attorney, Agent, or Firm* — Sterne, Kessler, Goldstein & Fox P.L.L.C.

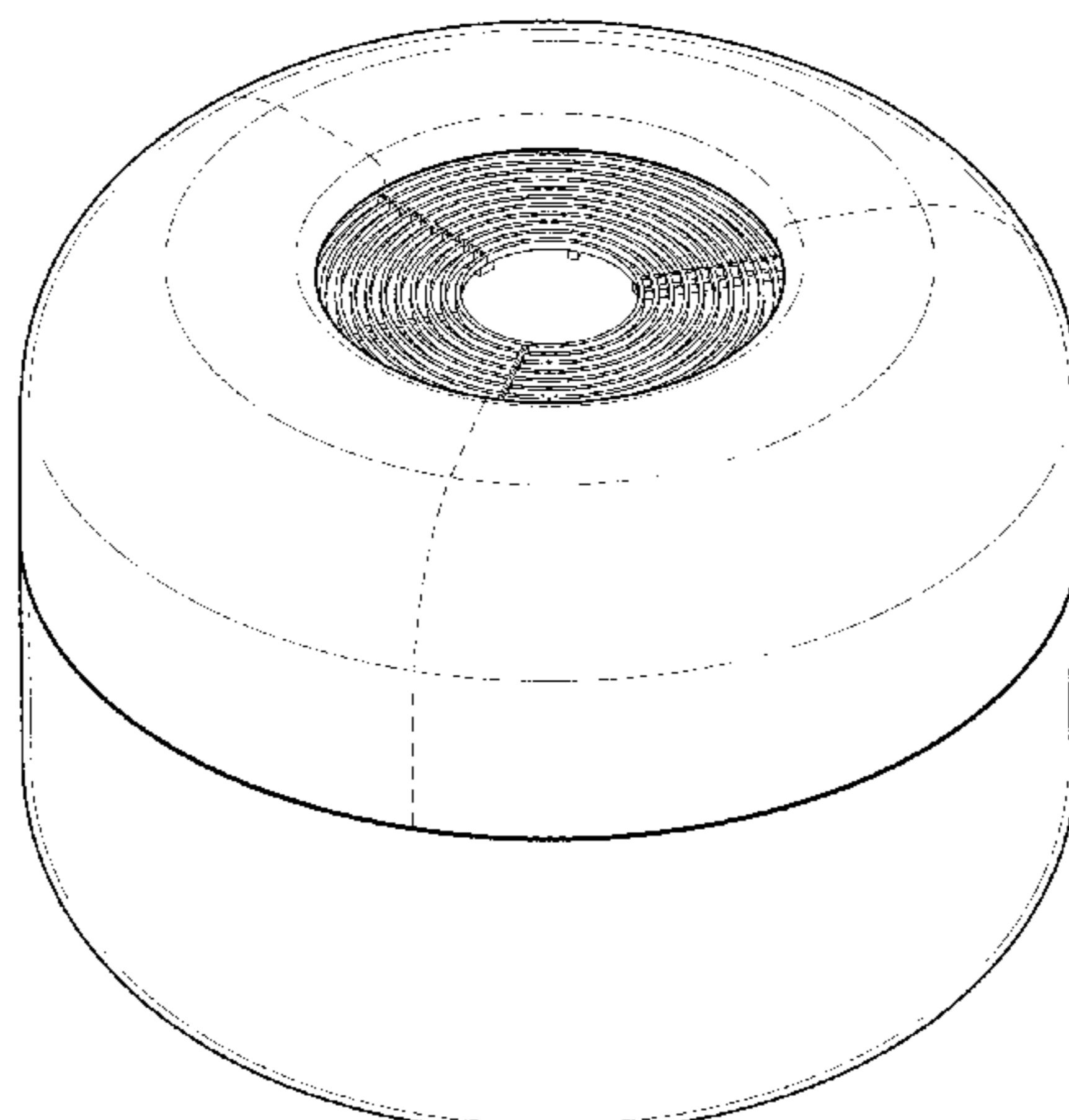
(57) **CLAIM**

The ornamental design for a planter, as shown and described.

DESCRIPTION

FIG. 1 is a top front perspective view of a planter showing our new design;
 FIG. 2 is a front view thereof;
 FIG. 3 is a rear view thereof;
 FIG. 4 is a left side view thereof;
 FIG. 5 is a right side view thereof;
 FIG. 6 is a top view thereof; and,
 FIG. 7 is a bottom view thereof.
 The broken lines in the Figures show portions of the planter that form no part of the claimed design.

1 Claim, 7 Drawing Sheets



US D766,127 S

Page 2

(56)

References Cited

U.S. PATENT DOCUMENTS

D496,474 S *	9/2004	Murdick	D26/7	D590,219 S *	4/2009	Jabs	D8/1
D523,750 S *	6/2006	Lee	D28/82	D616,616 S *	5/2010	Byrne	D30/160
7,263,800 B2 *	9/2007	Taddeo	A47G 7/07 47/41.11	7,758,711 B1 *	7/2010	Querubin	A01G 9/02 156/293
				D661,223 S *	6/2012	Jaworski	D11/143
				D742,562 S *	11/2015	Kasha	D26/22

* cited by examiner

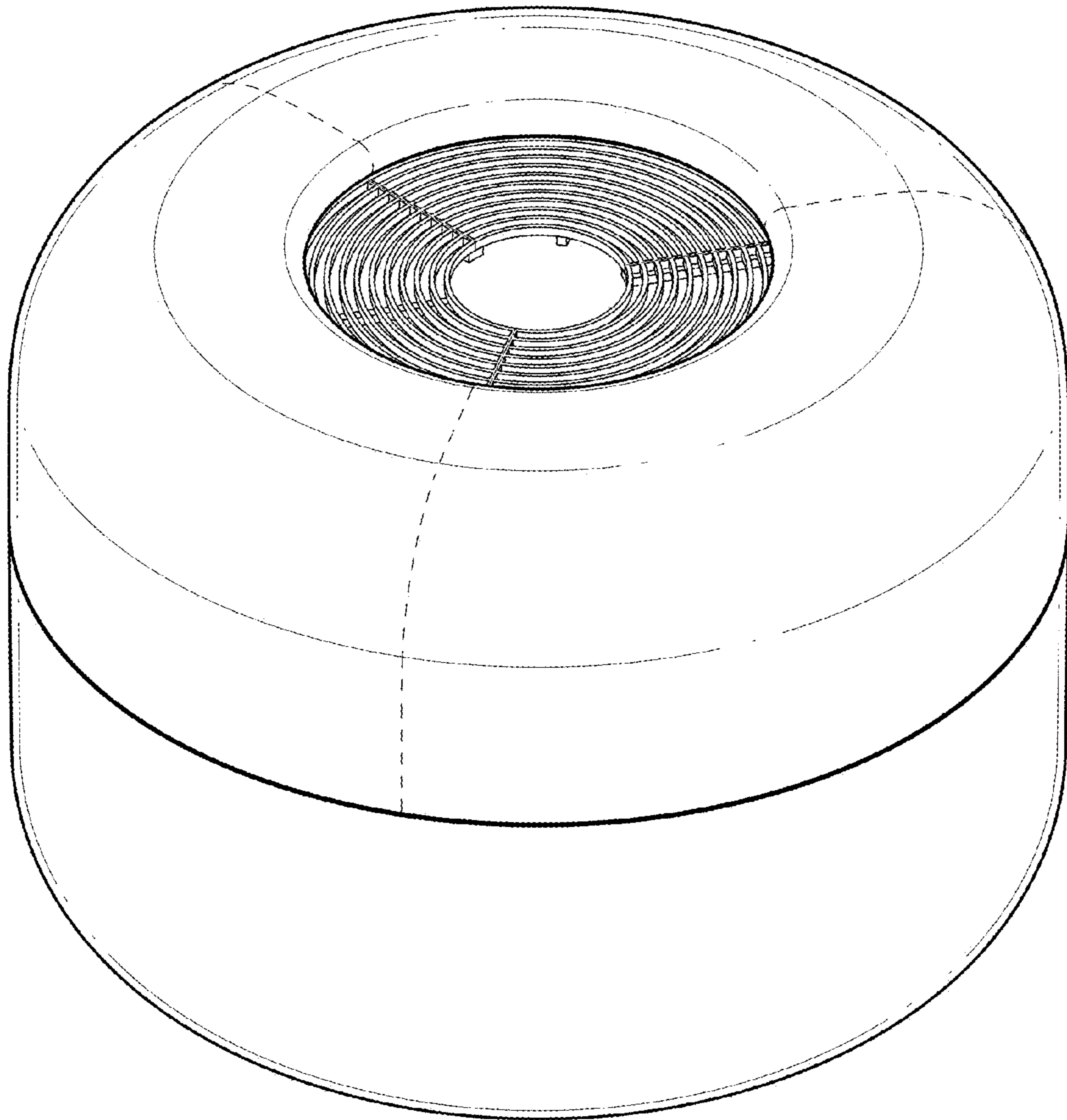


FIG 1

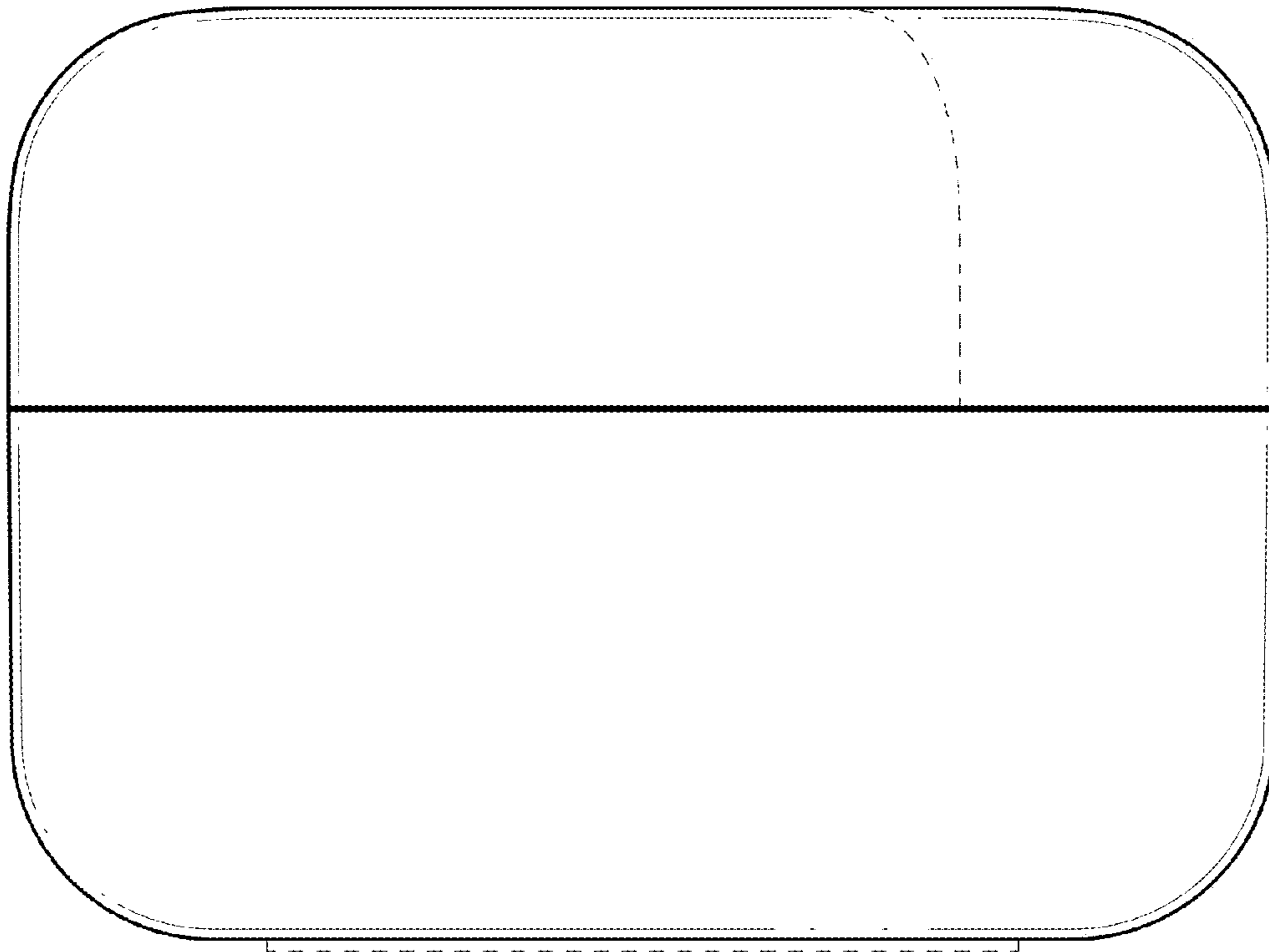


FIG. 2

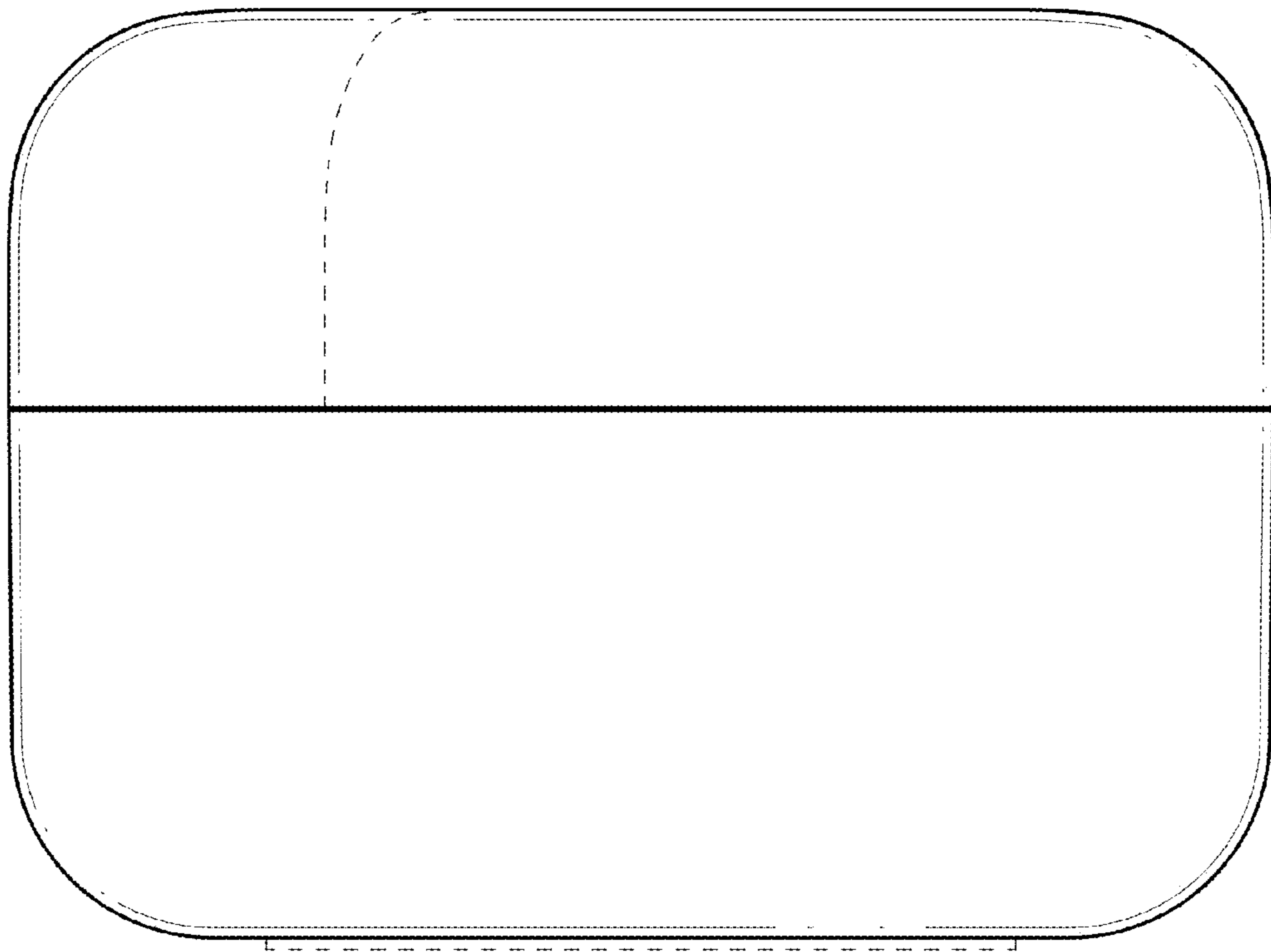


FIG. 3

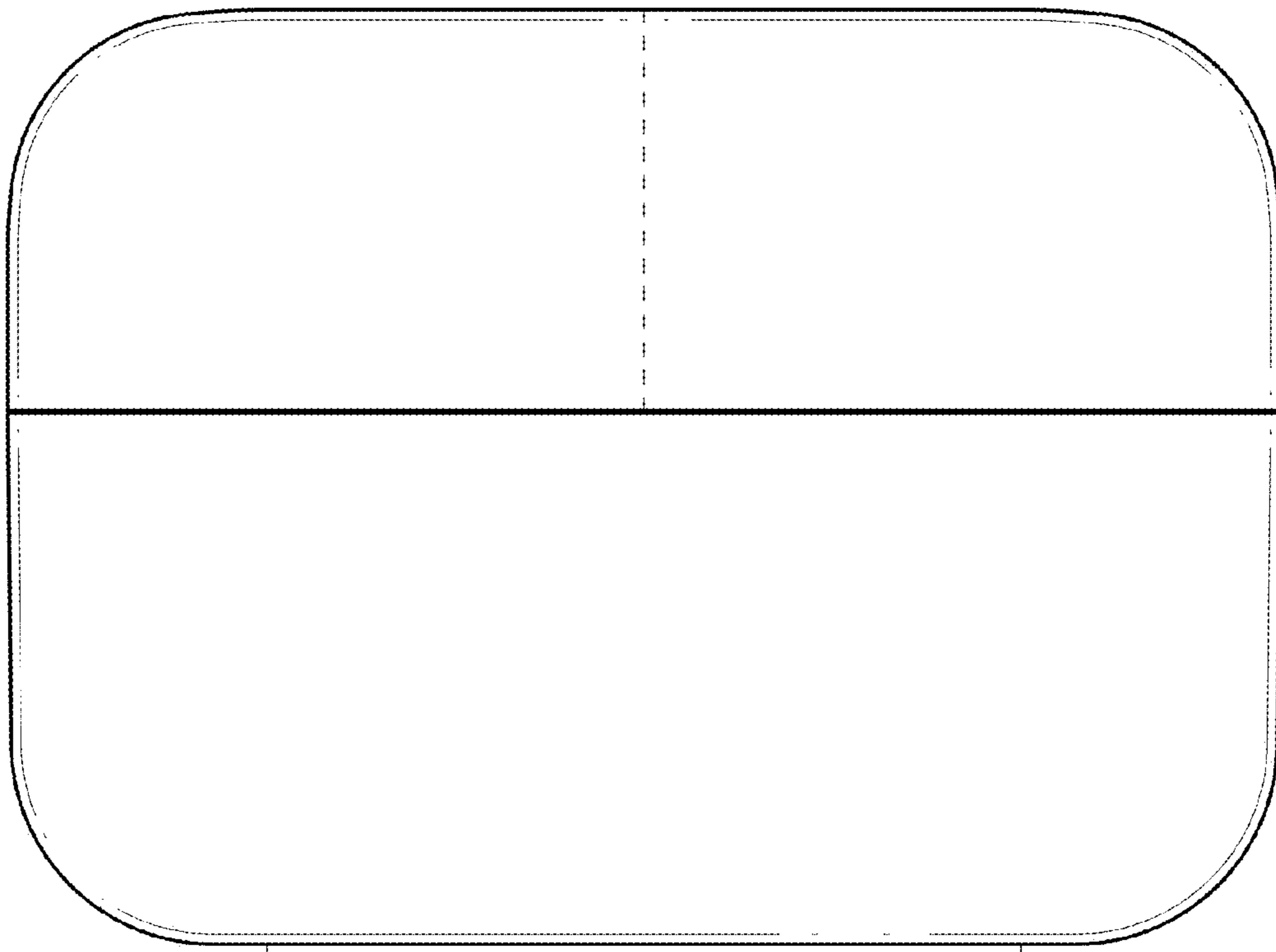


FIG. 4

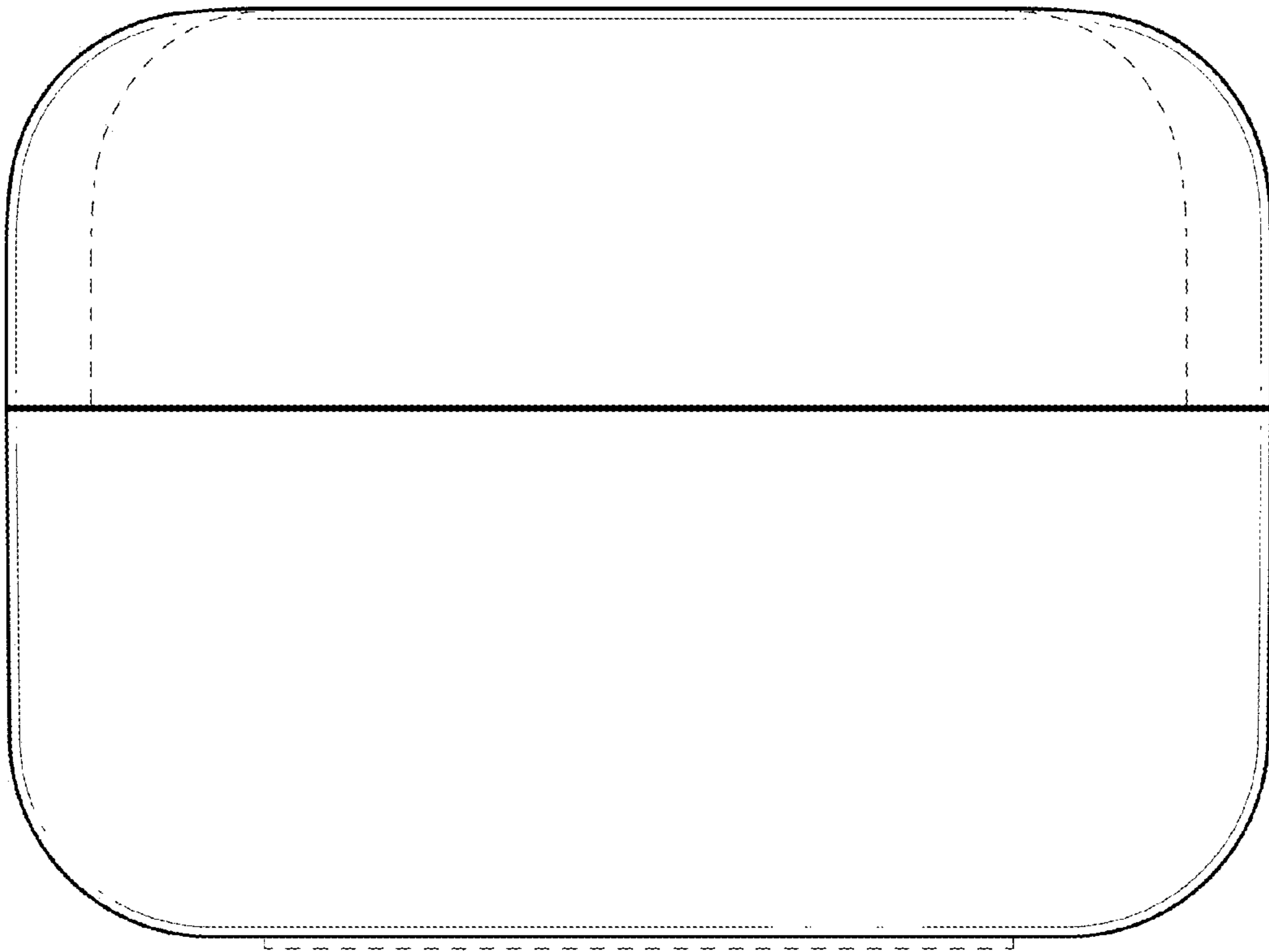


FIG. 5

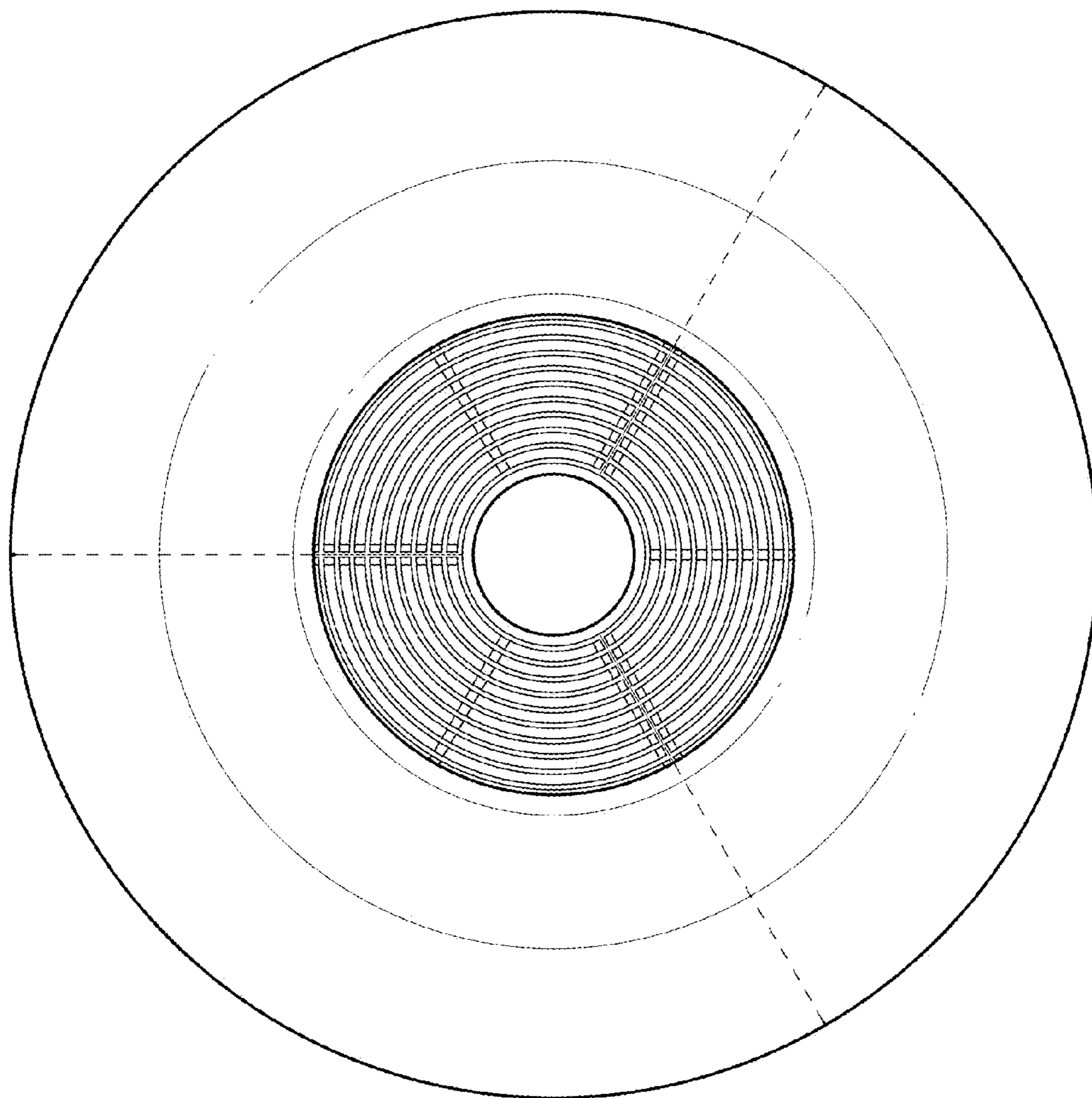


FIG. 6

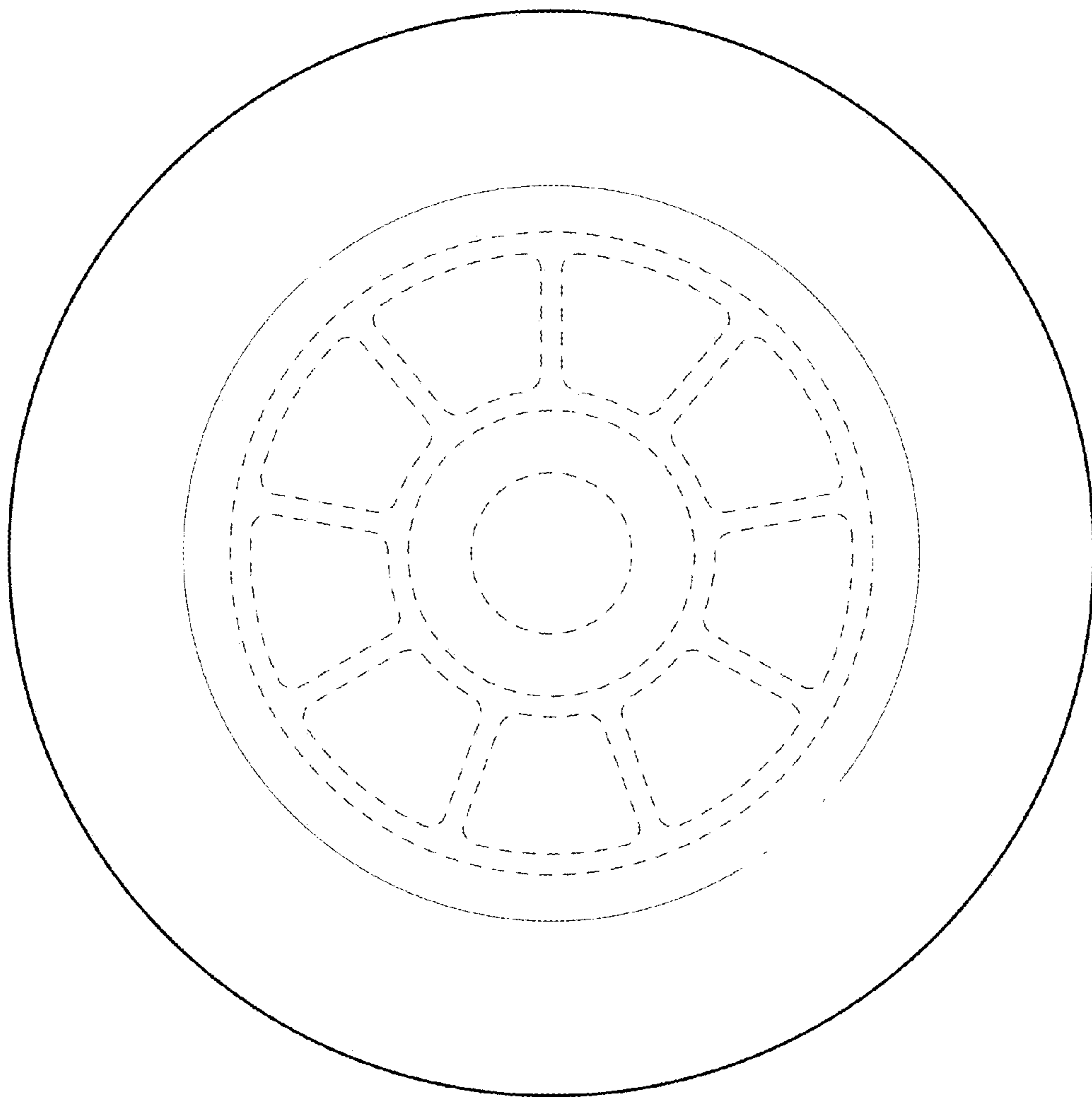


FIG. 7