



US00D766126S

(12) **United States Design Patent**
Walker

(10) **Patent No.:** **US D766,126 S**

(45) **Date of Patent:** **** Sep. 13, 2016**

(54) **CROSS WITH ORNAMENTAL FACE**

(71) Applicant: **Dina Lisa Walker**, Highland Lakes, NJ (US)

(72) Inventor: **Dina Lisa Walker**, Highland Lakes, NJ (US)

(**) Term: **14 Years**

(21) Appl. No.: **29/469,663**

(22) Filed: **Oct. 11, 2013**

(51) **LOC (10) Cl.** **11-03**

(52) **U.S. Cl.**
USPC **D11/96**

(58) **Field of Classification Search**
USPC D11/30, 40, 44, 48, 60, 79, 81, 86, D11/95-116, 125, 131, 133, 149, 157, 211, D11/217, 219, 120, 90; 63/1.11, 1.12, 1.13, 63/1.14, 1.16, 1.18, 13, 14.1, 35, 39, 63/18-19; D99/17, 23, 25, 27, 30; 428/3; D10/83
CPC A44C 15/001; A44C 9/0053; A44C 15/0015; A44C 1/00; A44C 15/00; A44C 7/00; A44C 25/004; A44C 5/0092; A44C 11/002; A47G 33/02

See application file for complete search history.

(56) **References Cited**

U.S. PATENT DOCUMENTS

- 1,112,640 A * 10/1914 Mix A44C 25/004 63/18
- D105,470 S * 8/1937 Belove D10/33
- D216,371 S * 12/1969 Winchell D11/81
- D300,079 S * 2/1989 Smith D99/27
- D455,672 S * 4/2002 Knezevich D11/96
- D506,945 S 7/2005 Guthrie, III

- D511,711 S * 11/2005 Steshik D11/96
- D518,939 S 4/2006 Borgerding
- 7,117,570 B1 10/2006 Borgerding

(Continued)

OTHER PUBLICATIONS

<http://www.totallycrosses.com/10or12inchpersonalizedrusticweddingcross-3.aspx>, Sep. 2013.

(Continued)

Primary Examiner — T. Chase Nelson

Assistant Examiner — Mark Cavanna

(57) **CLAIM**

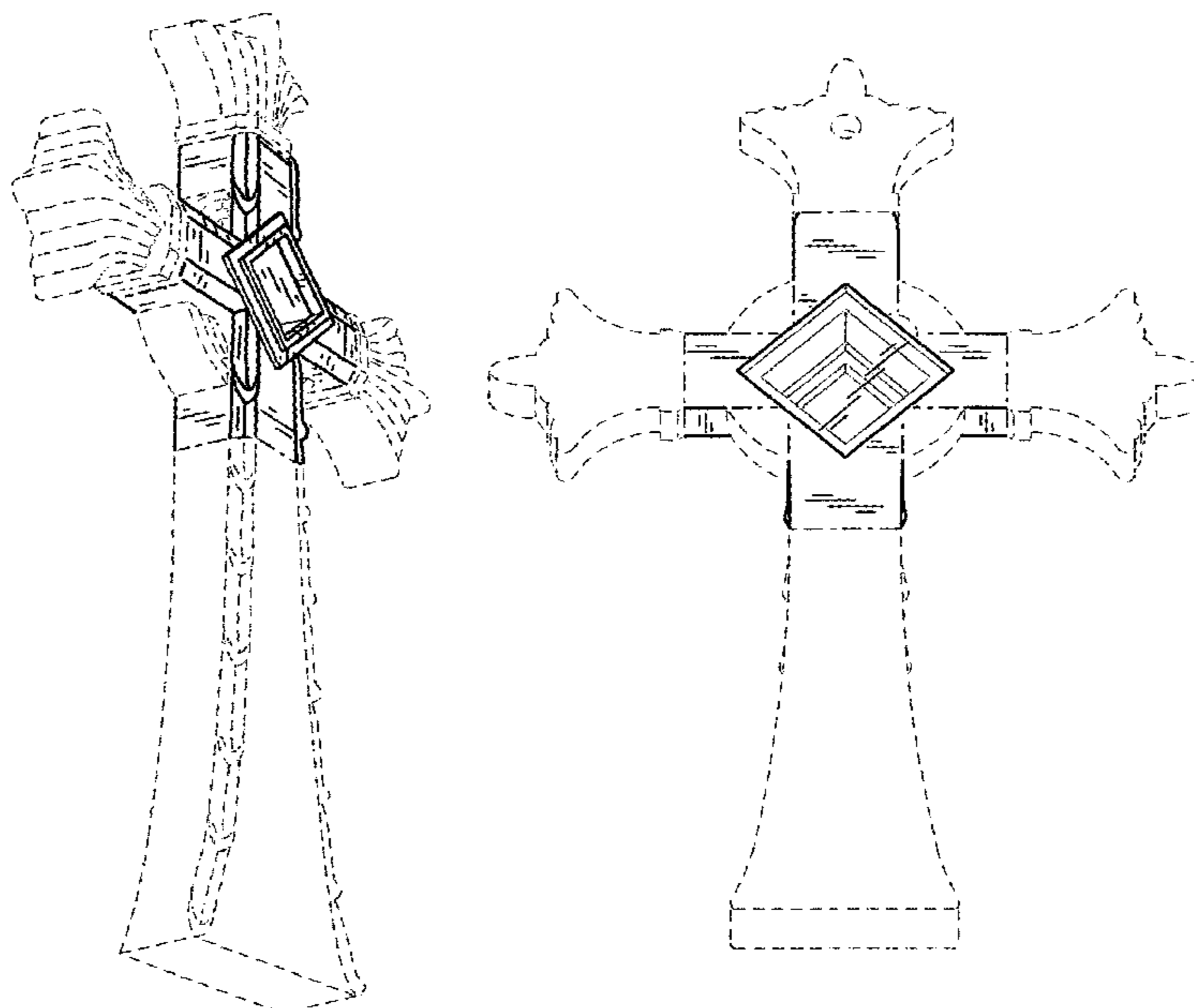
The ornamental design for a cross with ornamental face, as shown and described.

DESCRIPTION

FIG. 1 is a perspective front view of the cross with ornamental face;
 FIG. 2 is a front view of the cross with ornamental face;
 FIG. 3 is a rear view of the cross with ornamental face;
 FIG. 4 is a left side view of the cross with ornamental face; the right side view being a mirror image thereof;
 FIG. 5 is a top view of the cross with ornamental face;
 FIG. 6 is a bottom view of the cross with ornamental face;
 FIG. 7 is a perspective back view of the cross with ornamental face, illustrating a removable back member, shown as a transparent member for clarity; and,
 FIG. 8 is a section view of the cross with ornamental face taken along reference line in FIG. 2.

The equally spaced, dash-dash broken lines show portions of the cross with ornamental face that form no part of the claimed design. The long dash-short dash broken lines shows the bounds of the claim and also form no part of the claimed design.

1 Claim, 4 Drawing Sheets



(56)

References Cited

U.S. PATENT DOCUMENTS

D578,275 S 10/2008 Shantz et al.
D580,815 S * 11/2008 Powell D11/96
D610,481 S * 2/2010 Sandberg D11/96
D615,449 S * 5/2010 Hayden D11/96
D653,988 S * 2/2012 Hayden D11/96
D656,429 S 3/2012 Cadigan
D666,120 S * 8/2012 Austin D11/120
D678,118 S 3/2013 Cadigan
D679,624 S 4/2013 Ribbins
D687,338 S * 8/2013 Cadigan D11/96

OTHER PUBLICATIONS

<http://www.totallycrosses.com/large15inchpersonalizedrusticweddingcross.aspx>, Sep. 2013.
<http://www.Int.com/product/occasions/690637-16310/roman-pack-of-4-love-never-fails-40th-wedding-anniversary-wall-crosses-7.html>, Sep. 2013.
<http://www.francetravelplanner.com/go/pyrenees/lourdes/see/basilicas.html>, Sep. 2013.
<http://www.catholiccompany.com/first-communion-photo-wall-cross-blue-p3021770/>, Sep. 2013.

* cited by examiner

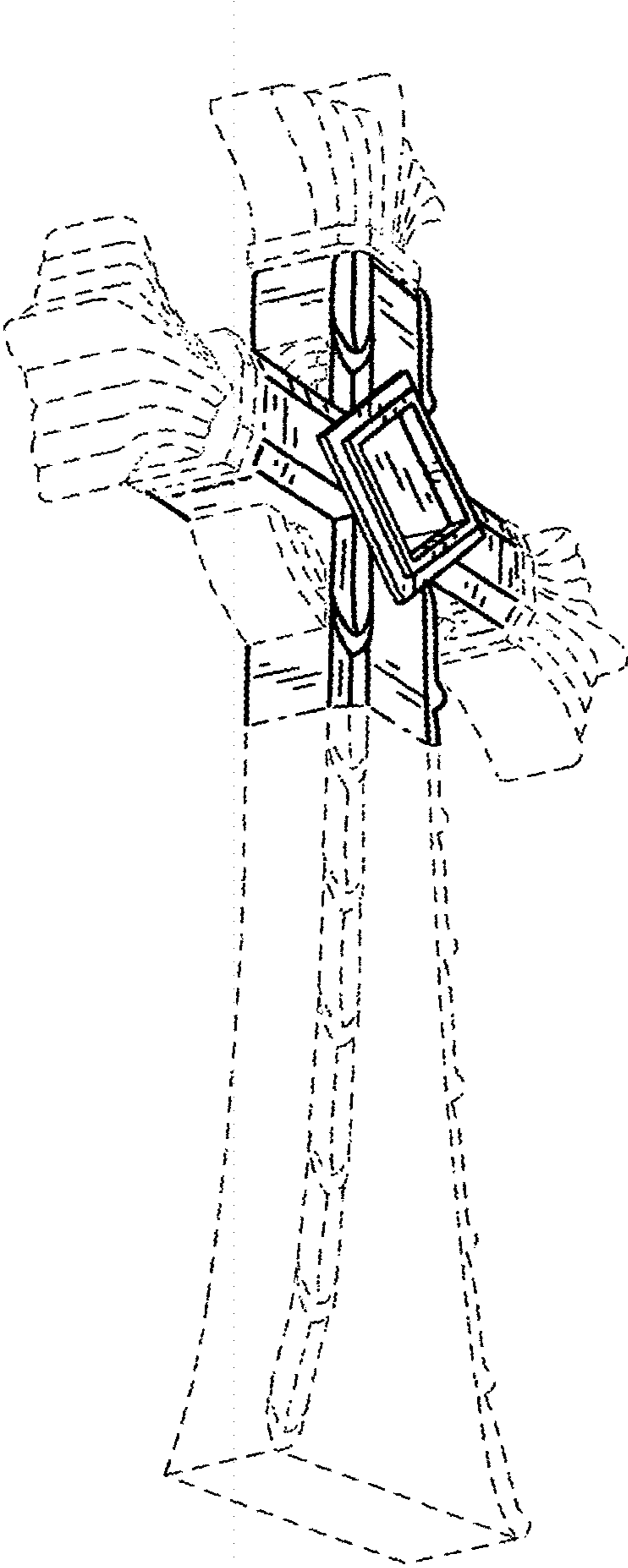


FIG. 1

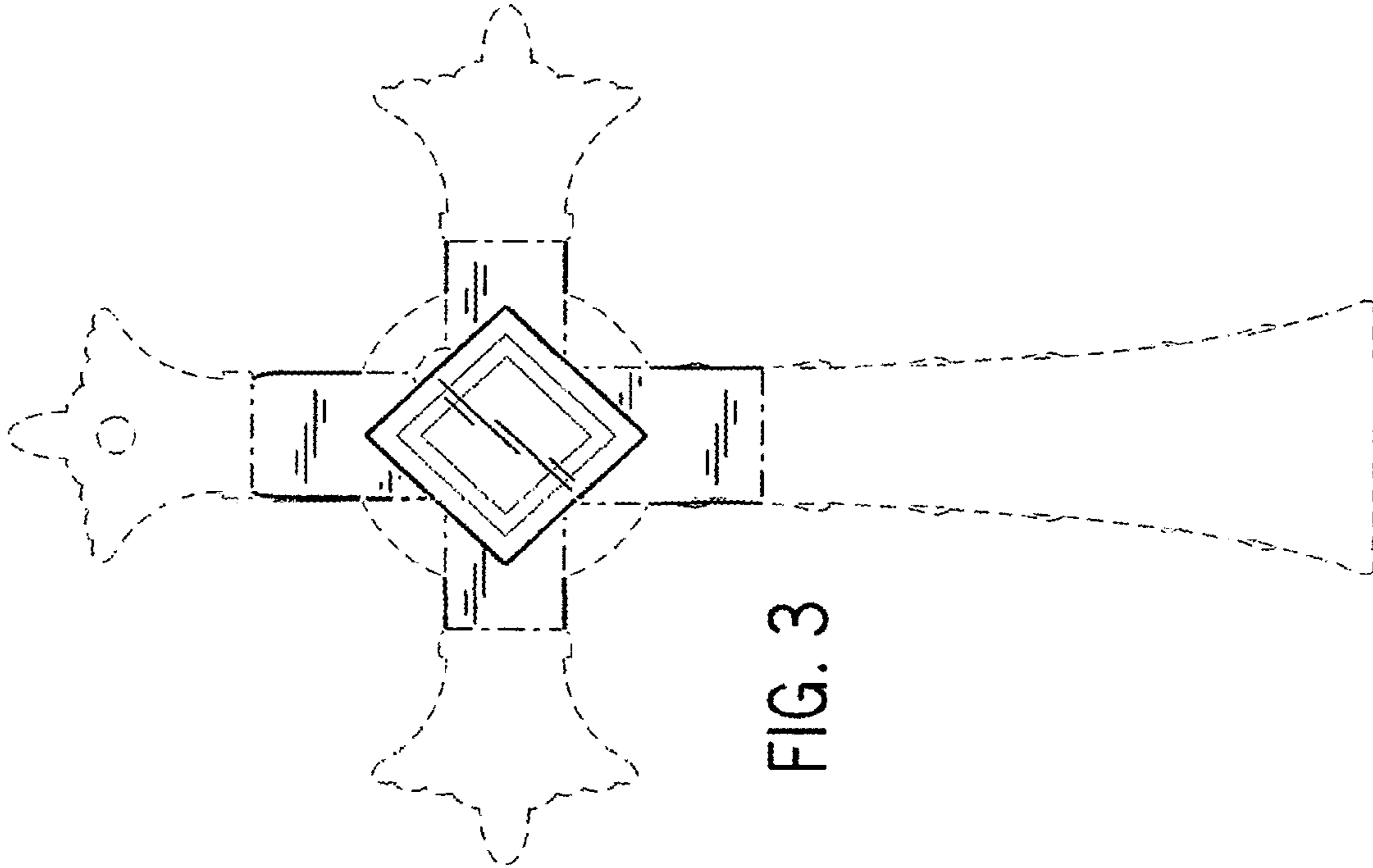


FIG. 3

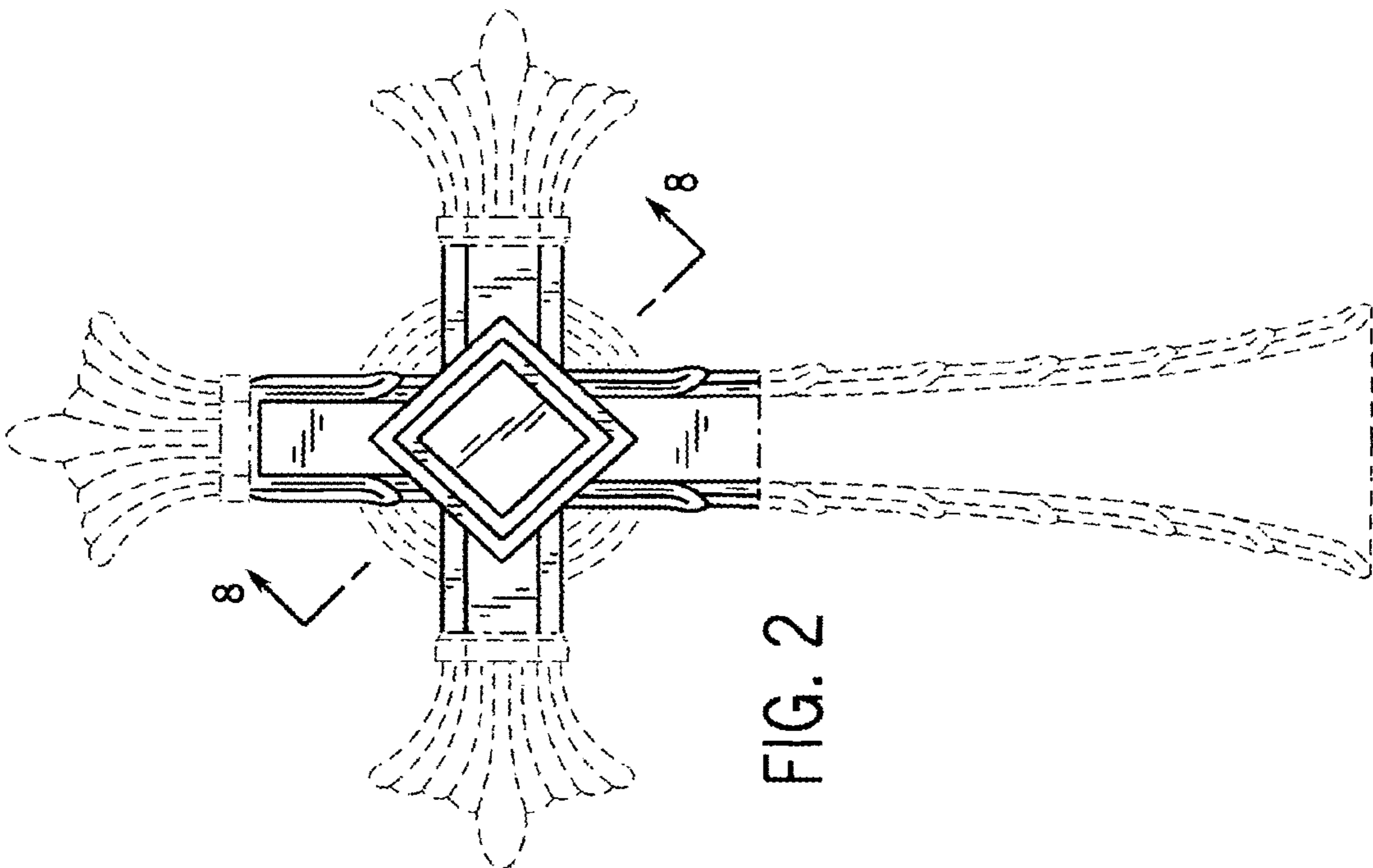


FIG. 2

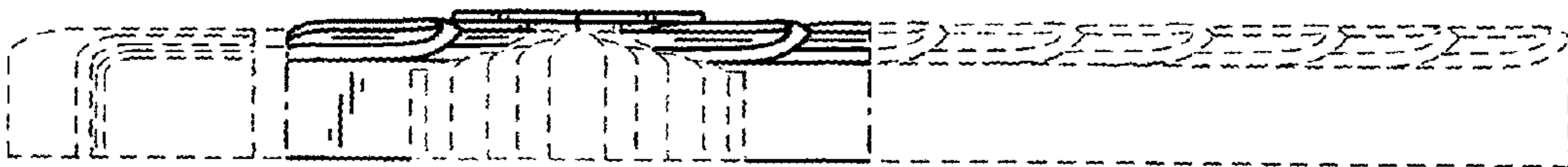


FIG. 4

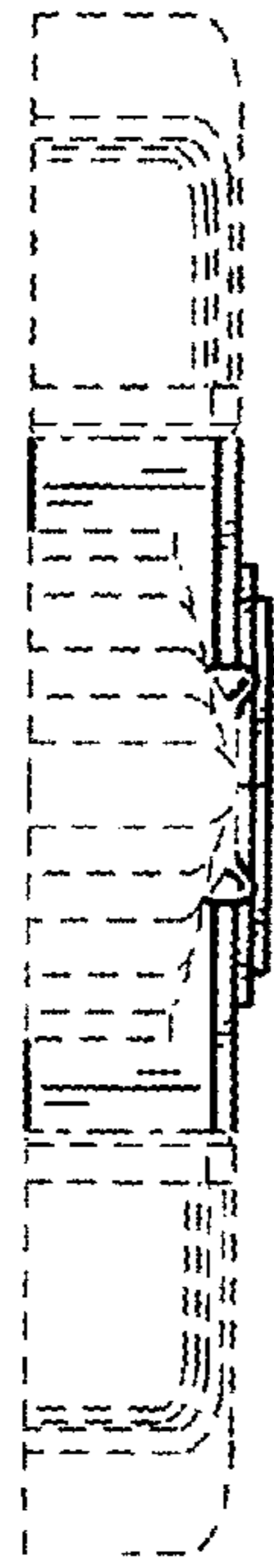


FIG. 5

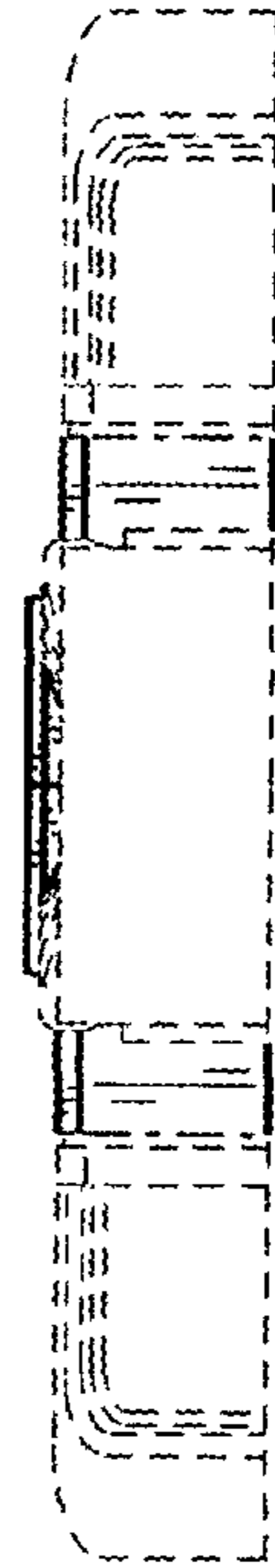


FIG. 6

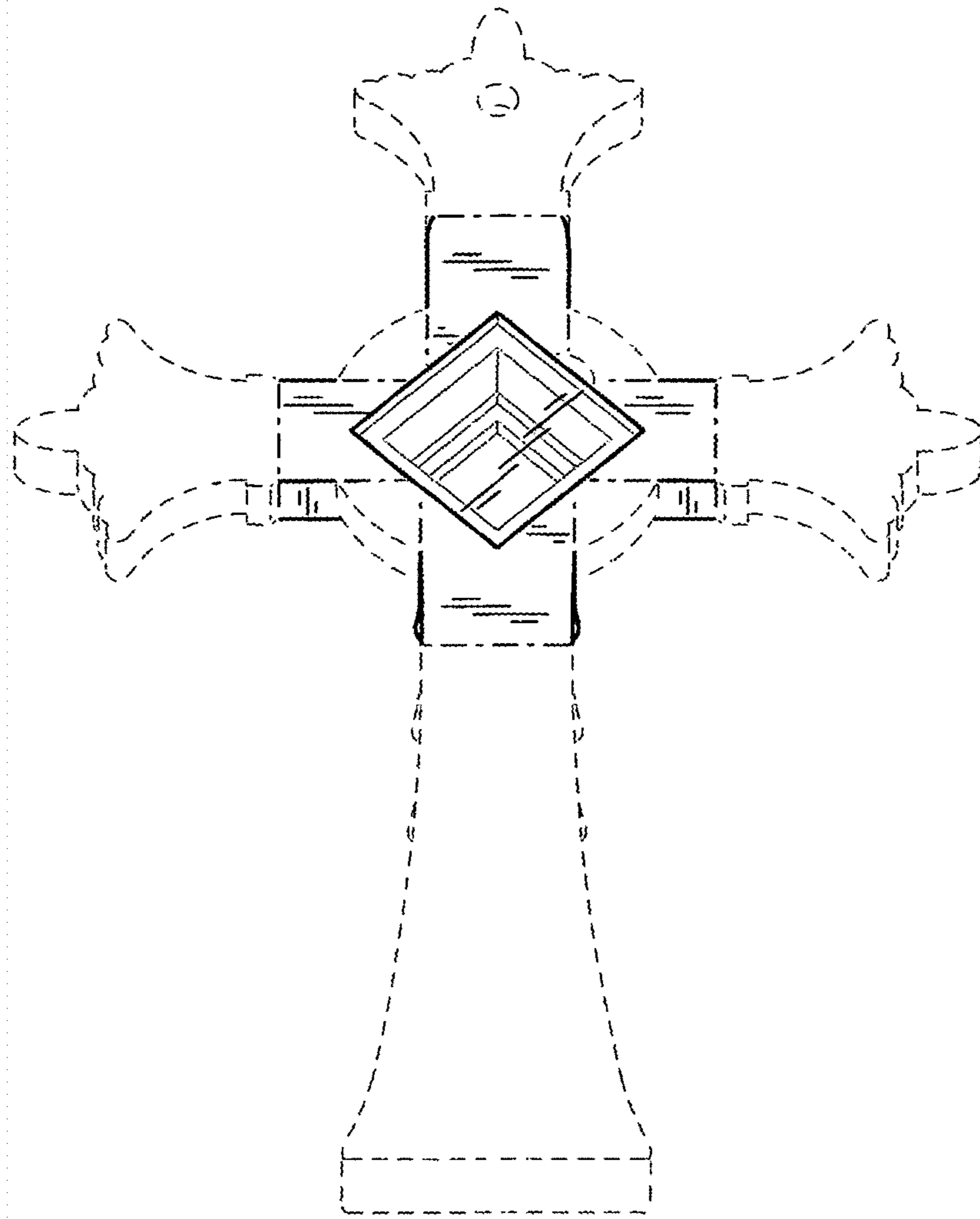


FIG. 7

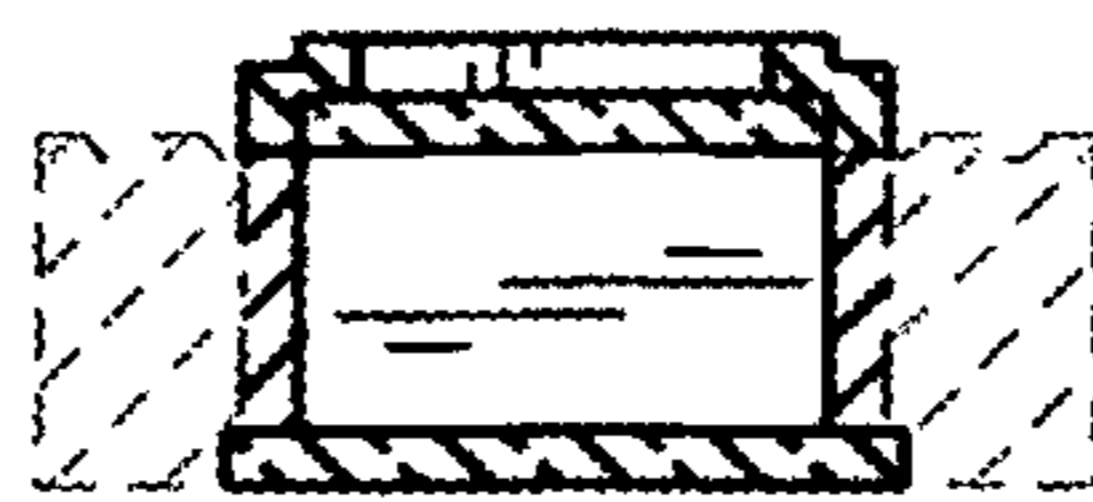


FIG. 8