



US00D766118S

(12) **United States Design Patent**
Wong

(10) **Patent No.:** **US D766,118 S**

(45) **Date of Patent:** **** Sep. 13, 2016**

(54) **CLAMP METER**

(71) Applicant: **Kingston Wong**, Beach Park, IL (US)

(72) Inventor: **Kingston Wong**, Beach Park, IL (US)

(73) Assignee: **KLEIN TOOLS, INC.**, Lincolnshire, IL (US)

(**) Term: **15 Years**

(21) Appl. No.: **29/531,915**

(22) Filed: **Jun. 30, 2015**

(51) **LOC (10) Cl.** **10-04**

(52) **U.S. Cl.**
USPC **D10/79**

(58) **Field of Classification Search**

USPC D10/78, 79
CPC G01R 1/04; G01R 1/0408; G01R 1/0416;
G01R 1/0425; G01R 1/06; G01R 1/067;
G01R 15/125; G01R 1/22; G01R 15/12;
G01R 15/18; G01R 15/186; G01R 1/07;
G01R 1/16772; G01R 1/16788

See application file for complete search history.

(56) **References Cited**

U.S. PATENT DOCUMENTS

D401,172 S *	11/1998	Kuramoto	D10/79
D422,229 S *	4/2000	Kuramoto	D10/79
D452,659 S *	1/2002	Harju	D10/79
D457,451 S *	5/2002	Chen	D10/79
D467,190 S *	12/2002	Ikeda	D10/79
7,163,336 B2 *	1/2007	Blakeley, III	G01J 5/02 374/120

* cited by examiner

Primary Examiner — Antoine D Davis

(74) *Attorney, Agent, or Firm* — Peter D. Papavasiliou

(57) **CLAIM**

The ornamental design for a clamp meter, as shown and described.

DESCRIPTION

FIG. 1 is a front top left side perspective view of clamp meter having the inventive design;

FIG. 2 is a front bottom left side perspective view of the clamp meter shown in FIG. 1;

FIG. 3 is a rear top left side perspective view of the clamp meter shown in FIG. 1;

FIG. 4 is a rear bottom left side perspective view of the clamp meter shown in FIG. 1;

FIG. 5 is a front side orthogonal view of the clamp meter shown in FIG. 1;

FIG. 6 is a rear side orthogonal view of the clamp meter shown in FIG. 1;

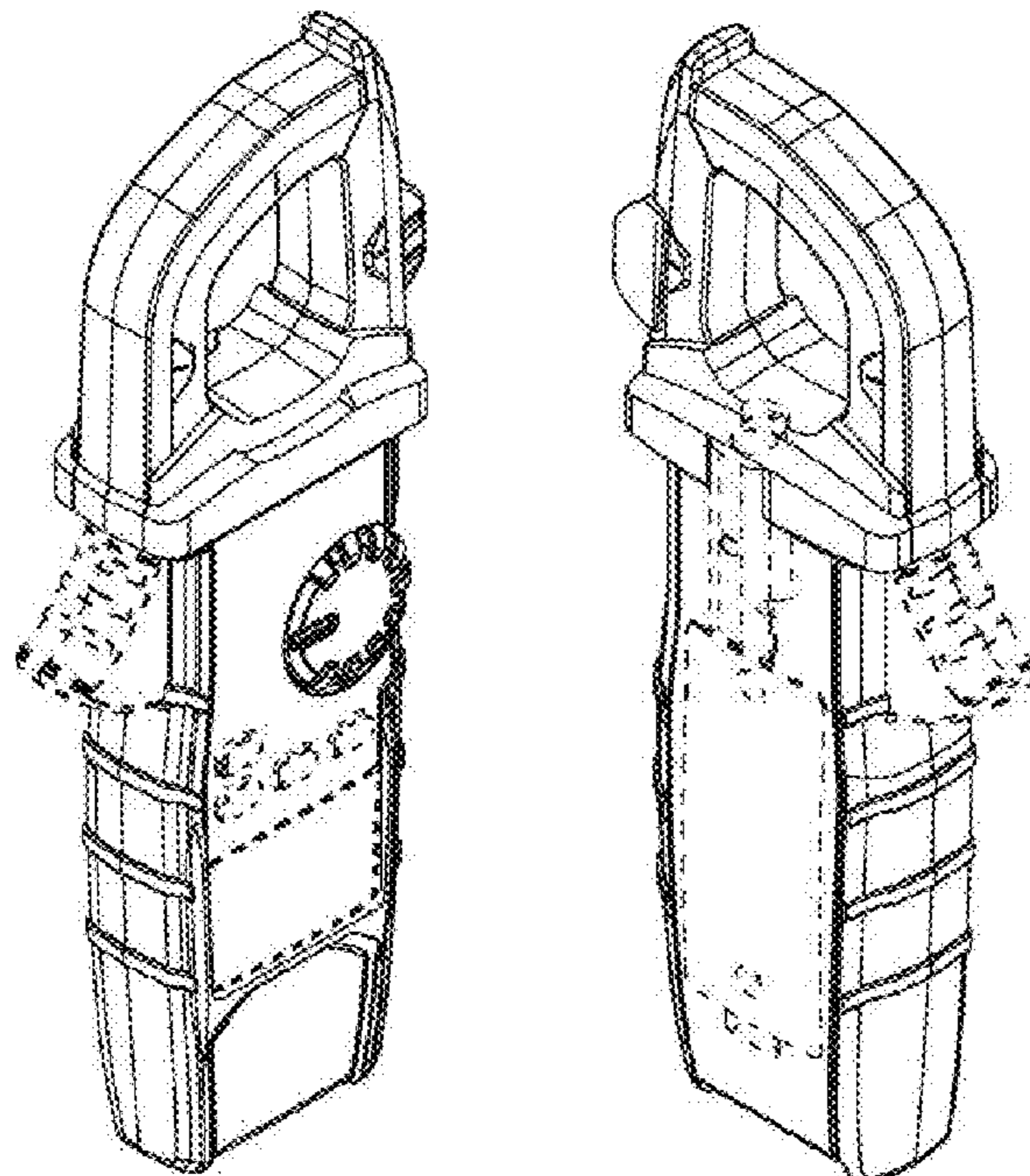
FIG. 7 is a right side orthogonal view of the clamp meter shown in FIG. 1;

FIG. 8 is a bottom side orthogonal view of the clamp meter shown in FIG. 1; and,

FIG. 9 is a top side orthogonal view of the clamp meter shown in FIG. 1.

The broken line showing of structural features is included for the purpose of illustrating non-claimed subject matter and forms no part of the claimed design.

1 Claim, 8 Drawing Sheets



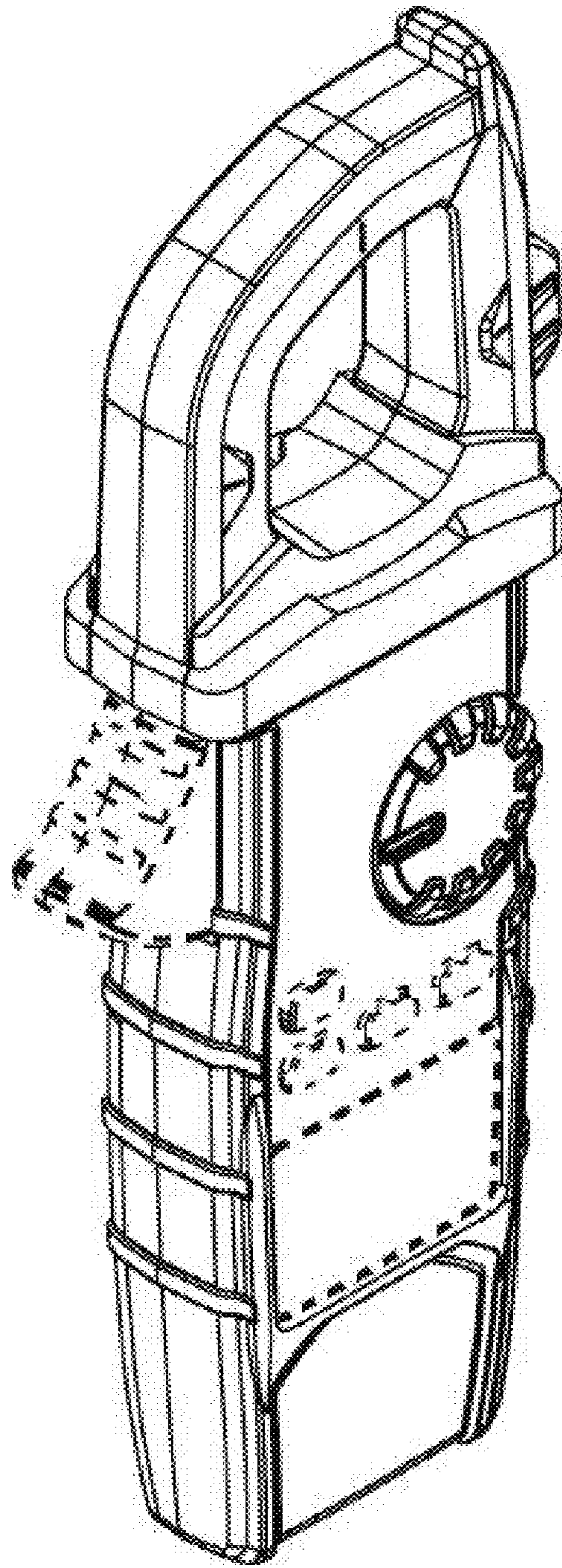


Fig. 1

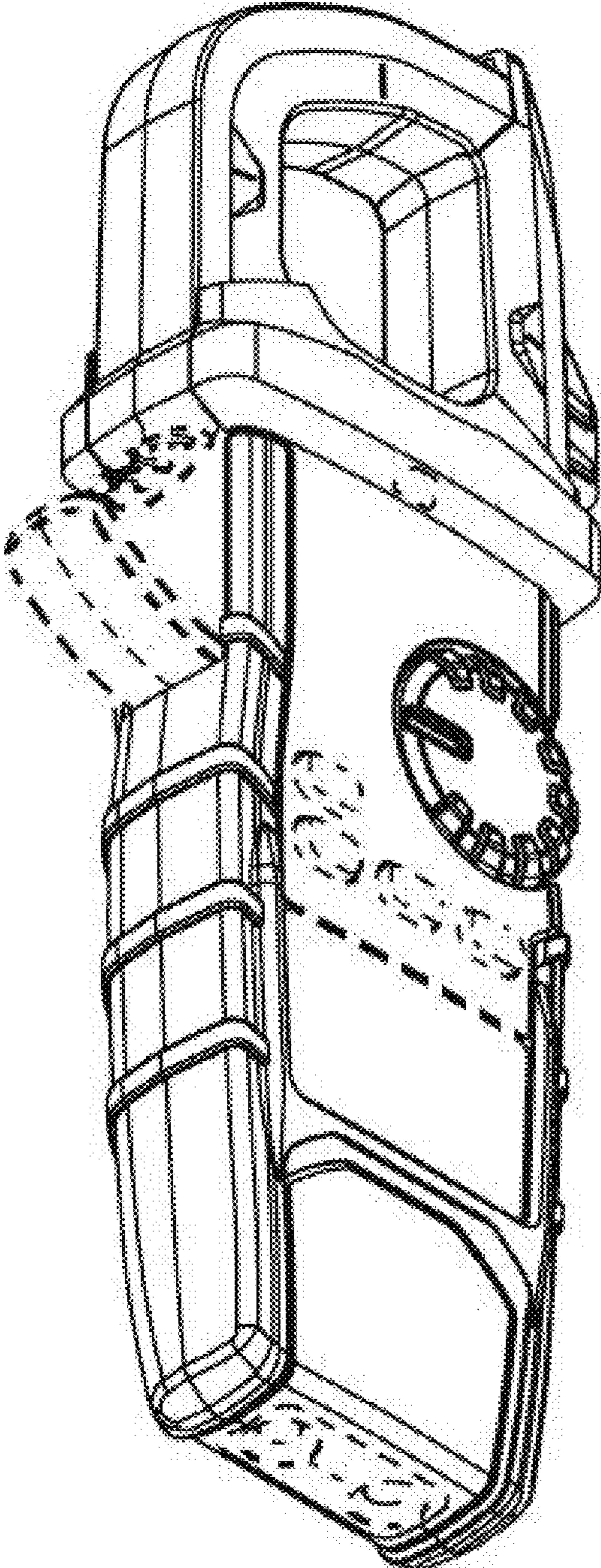


Fig. 2

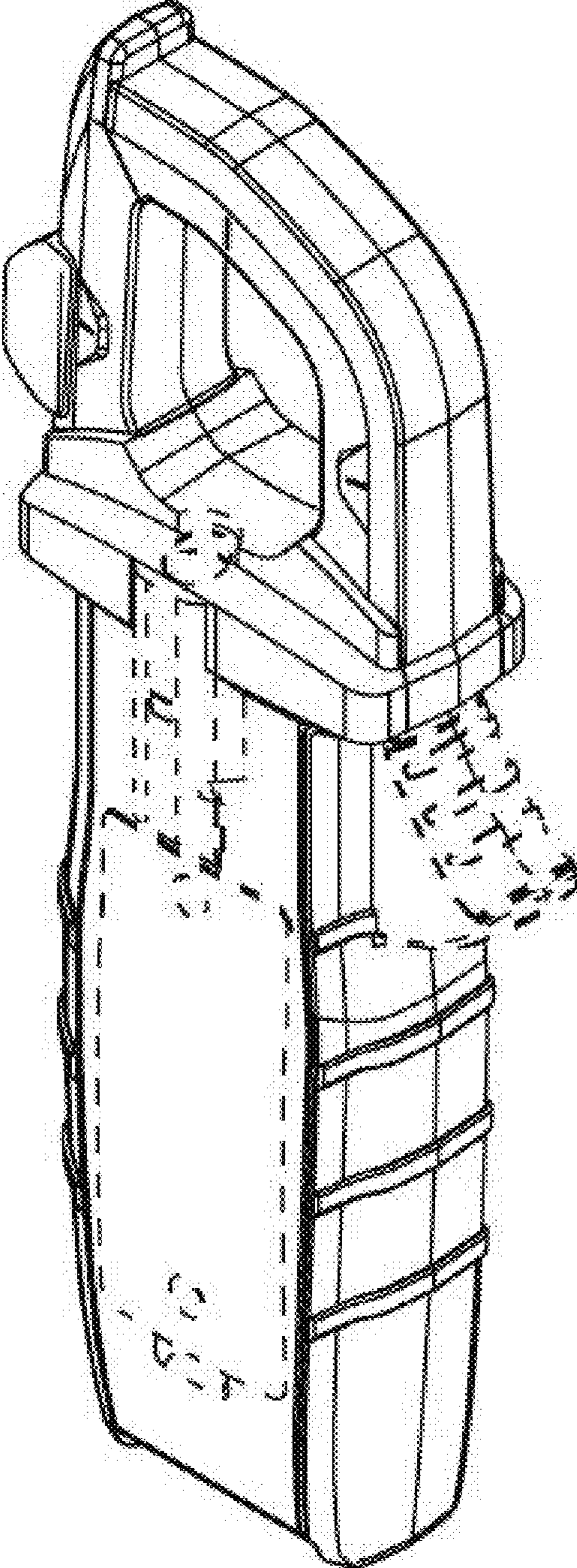


Fig. 3

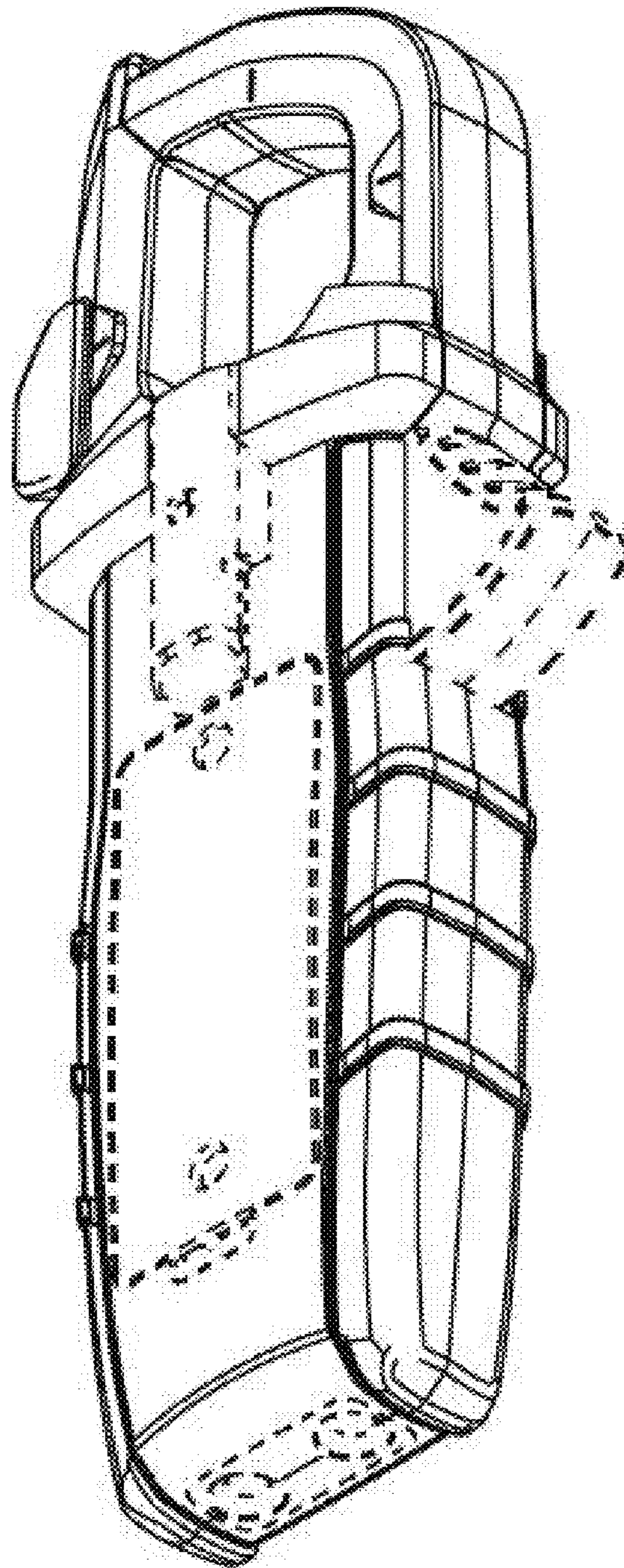


Fig. 4

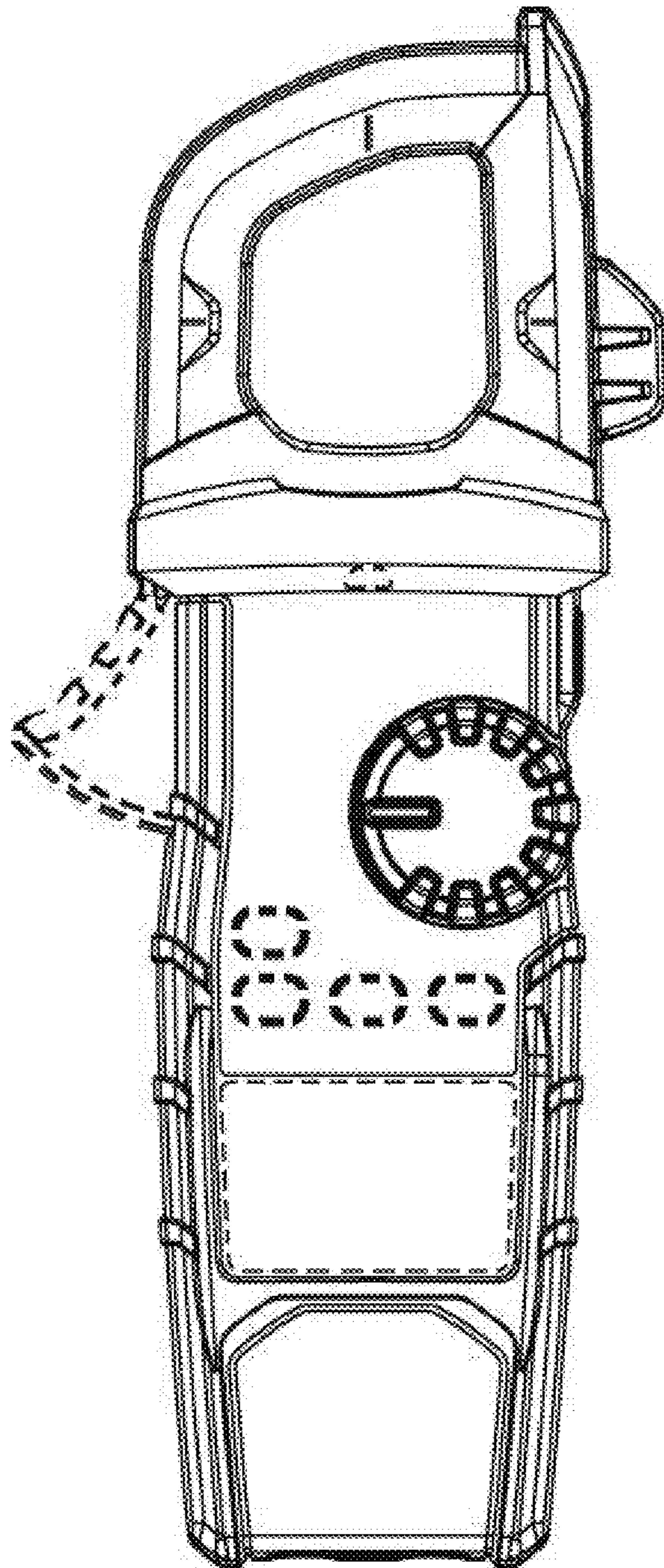


Fig. 5

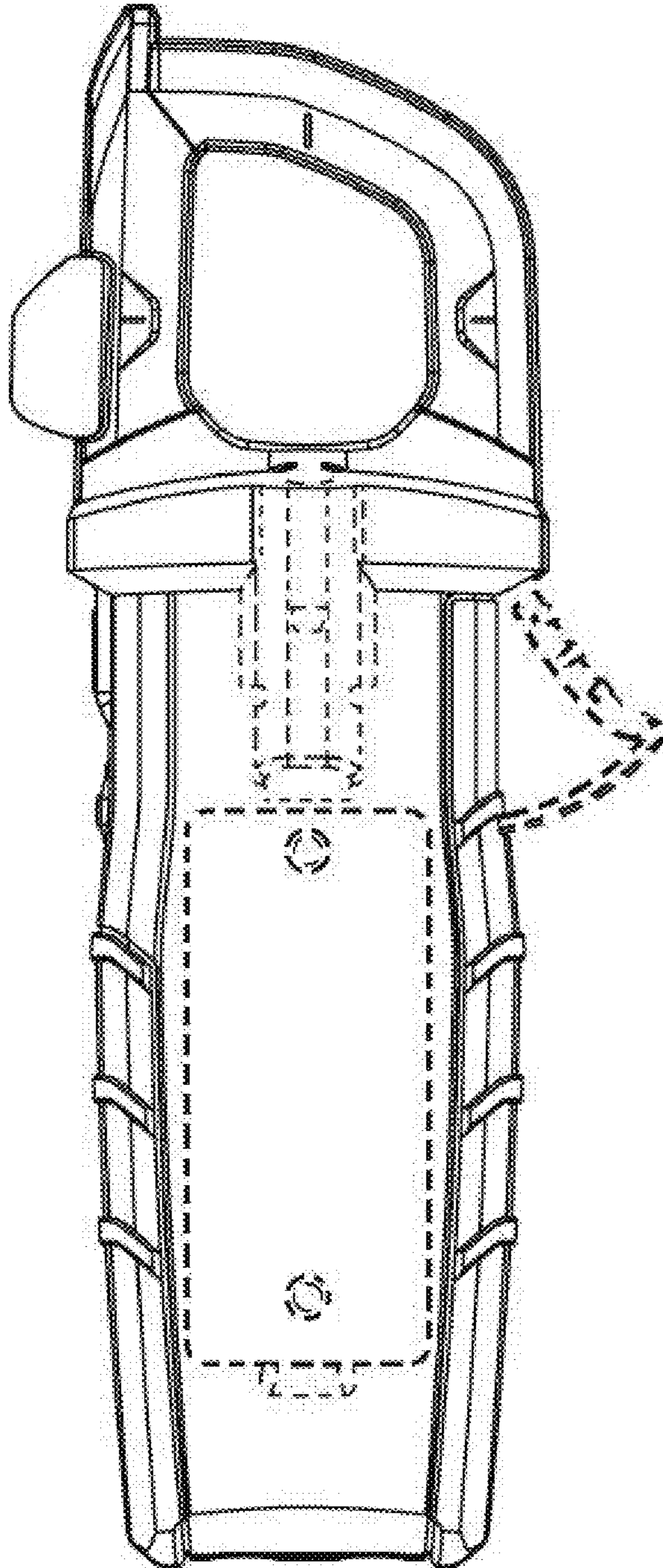


Fig. 6

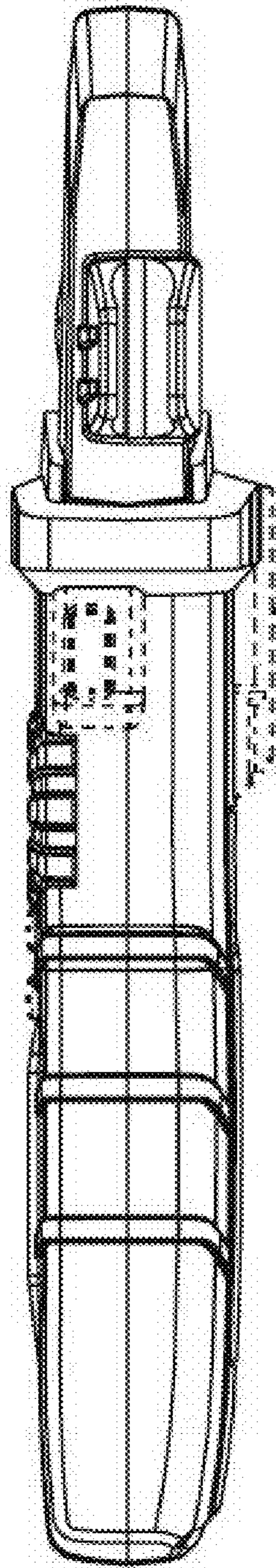


Fig. 7

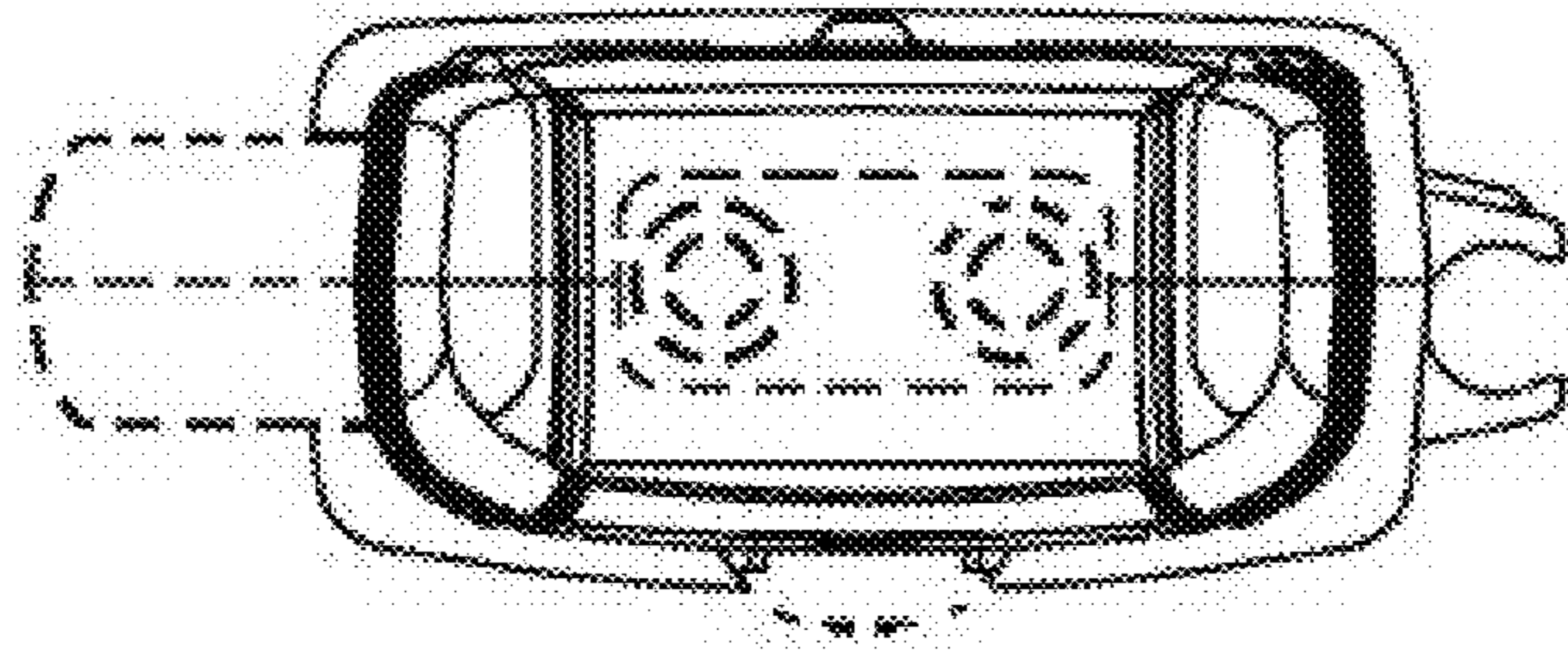


Fig. 8

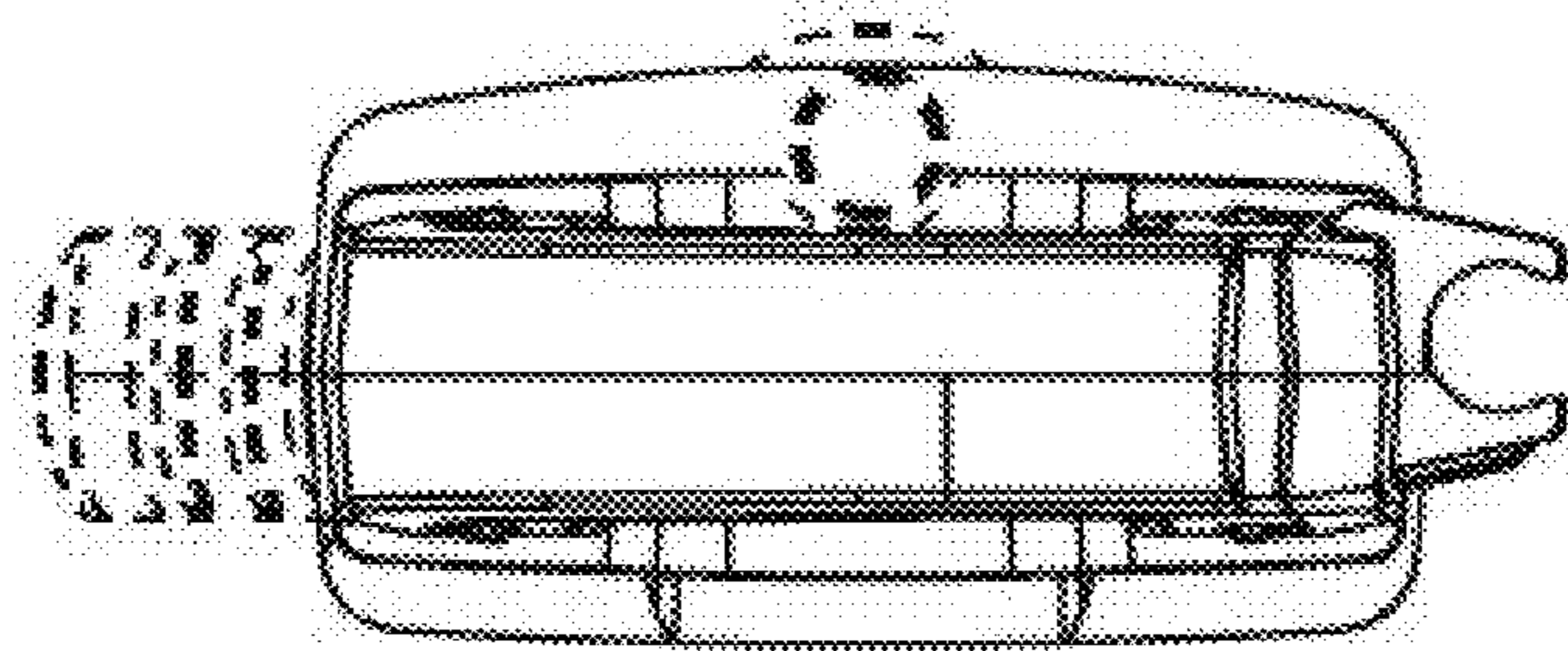


Fig. 9