

US00D766116S

(12) **United States Design Patent** (10) **Patent No.:** **US D766,116 S**
Jaite (45) **Date of Patent:** **** *Sep. 13, 2016**

(54) **SCAN TOOL**

8,370,016 B2 * 2/2013 Webster et al. 701/29.1

(71) Applicant: **Thomas Jonathan Jaite**, Willoughby Hills, OH (US)

* cited by examiner

(72) Inventor: **Thomas Jonathan Jaite**, Willoughby Hills, OH (US)

Primary Examiner — Antoine D Davis

(74) *Attorney, Agent, or Firm* — Baker & Hostetler LLP

(73) Assignee: **Bosch Automotive Service Solutions Inc.**, Warren, MI (US)

(57) **CLAIM**

(*) Notice: This patent is subject to a terminal disclaimer.

The ornamental design for a scan tool, as shown and described.

(**) Term: **14 Years**

DESCRIPTION

(21) Appl. No.: **29/458,227**

(22) Filed: **Jun. 17, 2013**

(51) **LOC (10) Cl.** **10-04**

(52) **U.S. Cl.**
USPC **D10/78**

(58) **Field of Classification Search**
USPC D10/65, 78; D14/347, 138 AA, 507, D14/426; 324/76.12, 426, 500; 340/438-441, 425.5; 701/24, 29.1, 701/31.4, 33.2, 33.4, 33.9, 102, 203; 702/182, 119, 123, 183; 714/E11.207; 717/136, 142, 143
CPC . F02D 28/00; G07C 5/0808; G07C 2205/02; G07C 5/008; G07C 5/0858; G06F 17/00; G06Q 30/0639
See application file for complete search history.

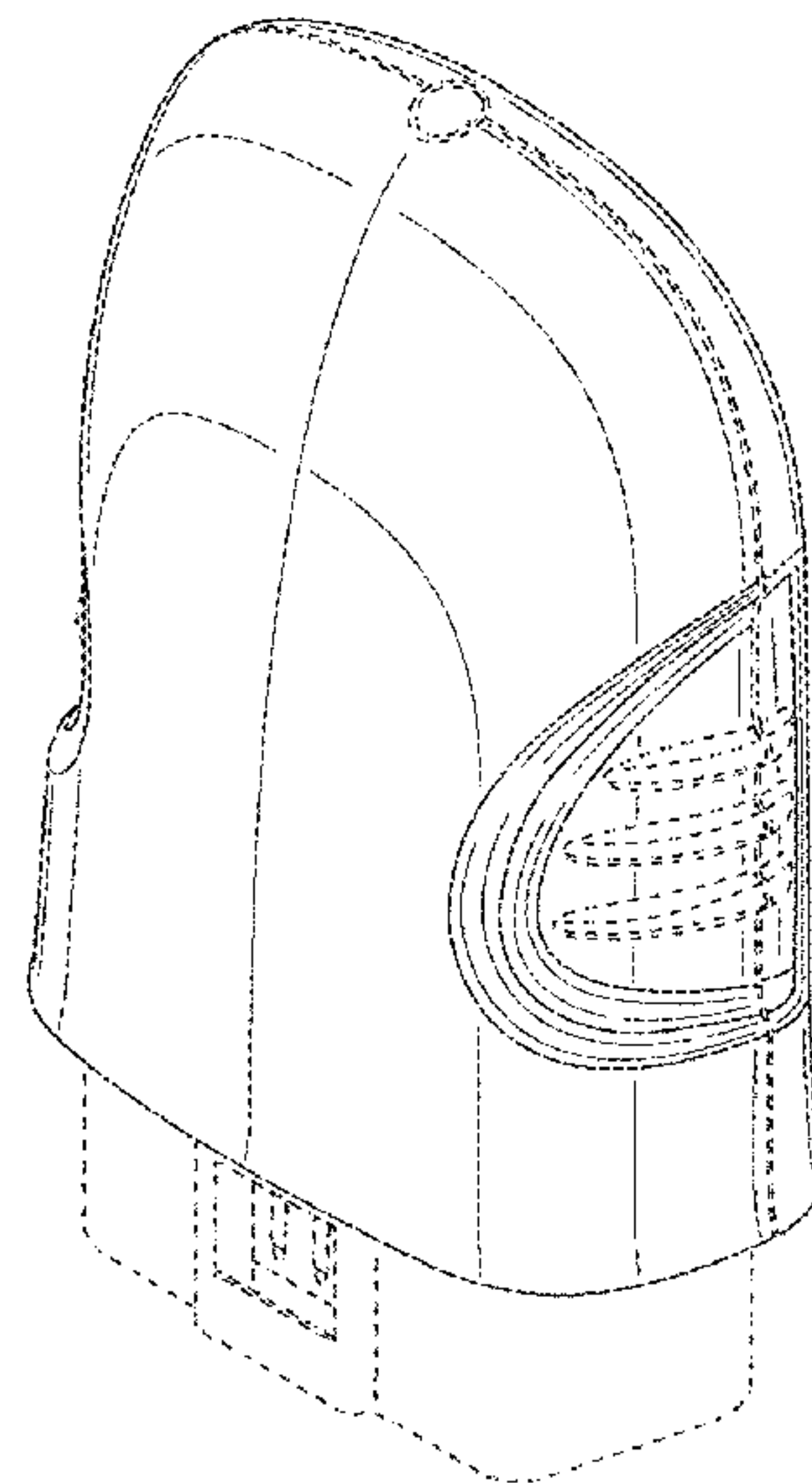
FIG. 1 is a perspective view of a scan tool showing a first embodiment of our new design;
FIG. 2 is a front view of the design shown in FIG. 1;
FIG. 3 is a rear view of the design shown in FIG. 1;
FIG. 4 is a left side view of the design shown in FIG. 1;
FIG. 5 is a right side view of the design shown in FIG. 1;
FIG. 6 is a top view of the design shown in FIG. 1;
FIG. 7 is a bottom view of the design shown in FIG. 1;
FIG. 8 is a perspective view of a scan tool showing a second embodiment of our new design;
FIG. 9 is a front view of the design shown in FIG. 8;
FIG. 10 is a rear view of the design shown in FIG. 8;
FIG. 11 is a left side view of the design shown in FIG. 8;
FIG. 12 is a right side view of the design shown in FIG. 8;
FIG. 13 is a top view of the design shown in FIG. 8; and, FIG. 14 is a bottom view of the design shown in FIG. 8.
The broken line showing of features in FIGS. 1-14 are included for the purpose of illustration and form no part of the claimed design.

(56) **References Cited**

U.S. PATENT DOCUMENTS

7,885,739 B2 * 2/2011 Chinnadurai et al. 701/33.4
8,027,763 B2 * 9/2011 Webster et al. 701/33.9

1 Claim, 14 Drawing Sheets



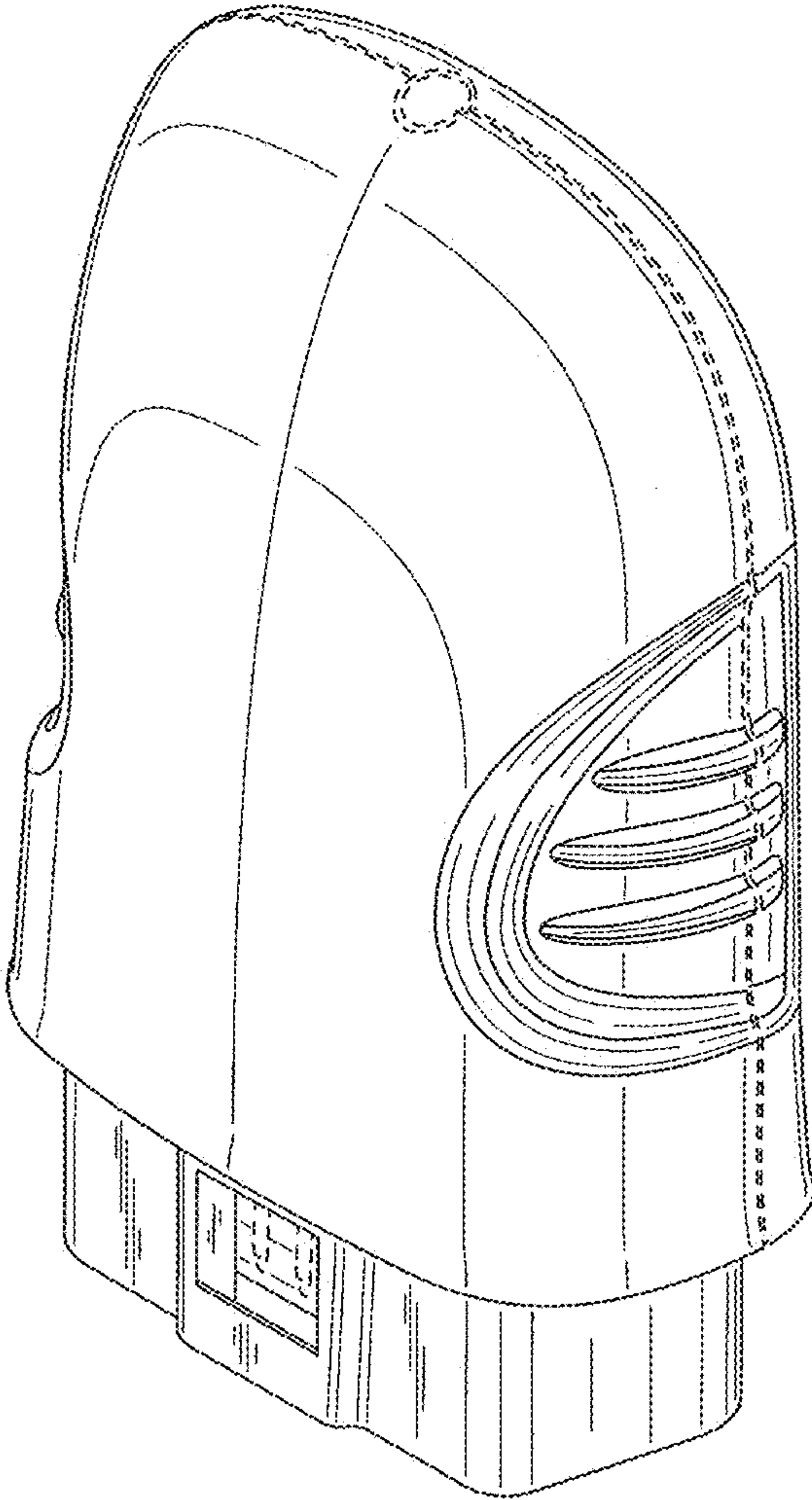


FIG.1

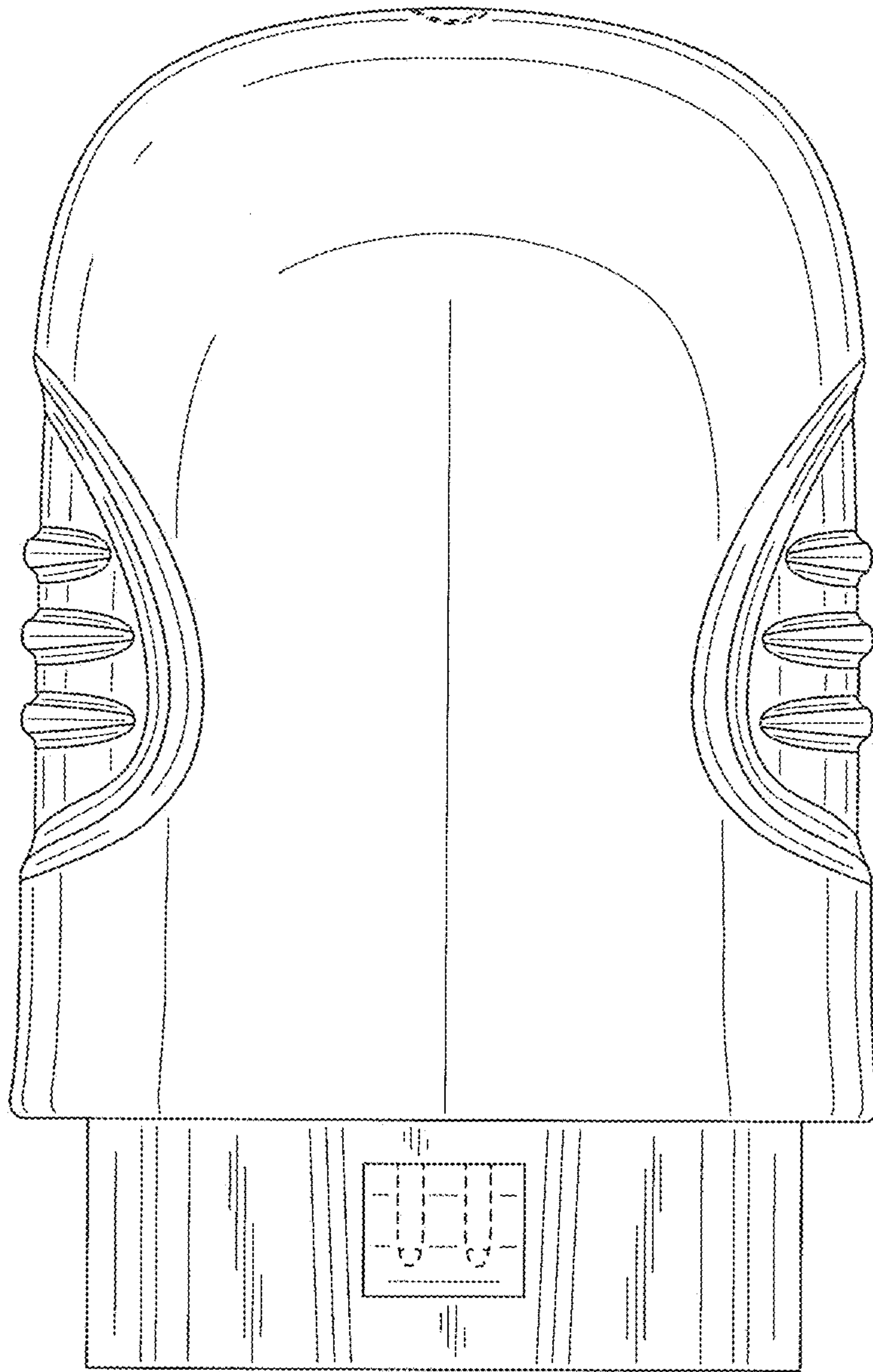


FIG.2

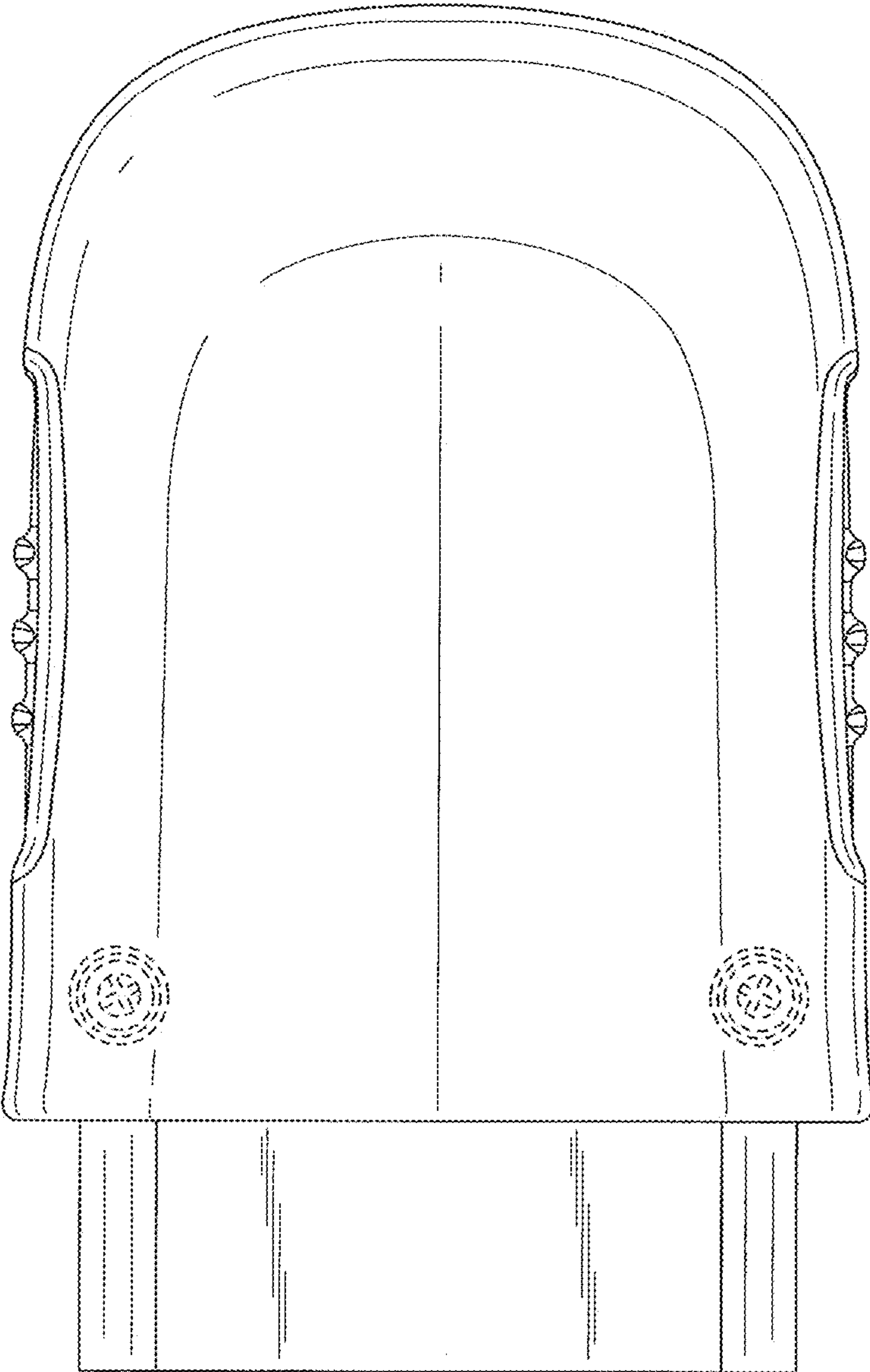


FIG.3

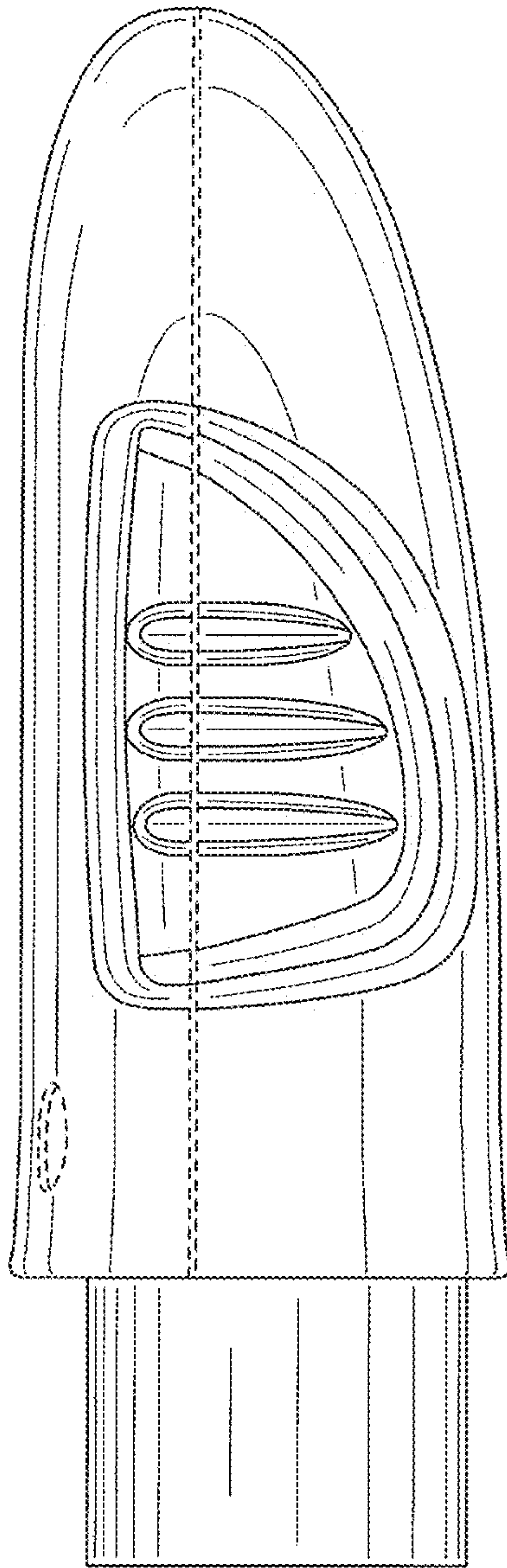


FIG.4

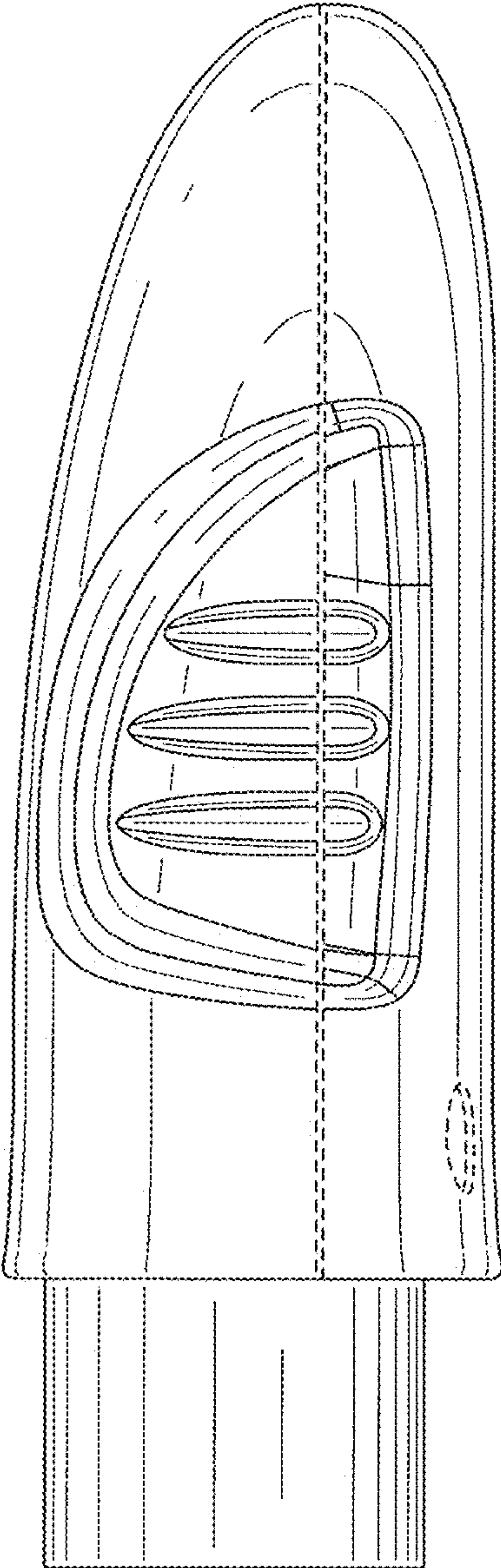


FIG.5

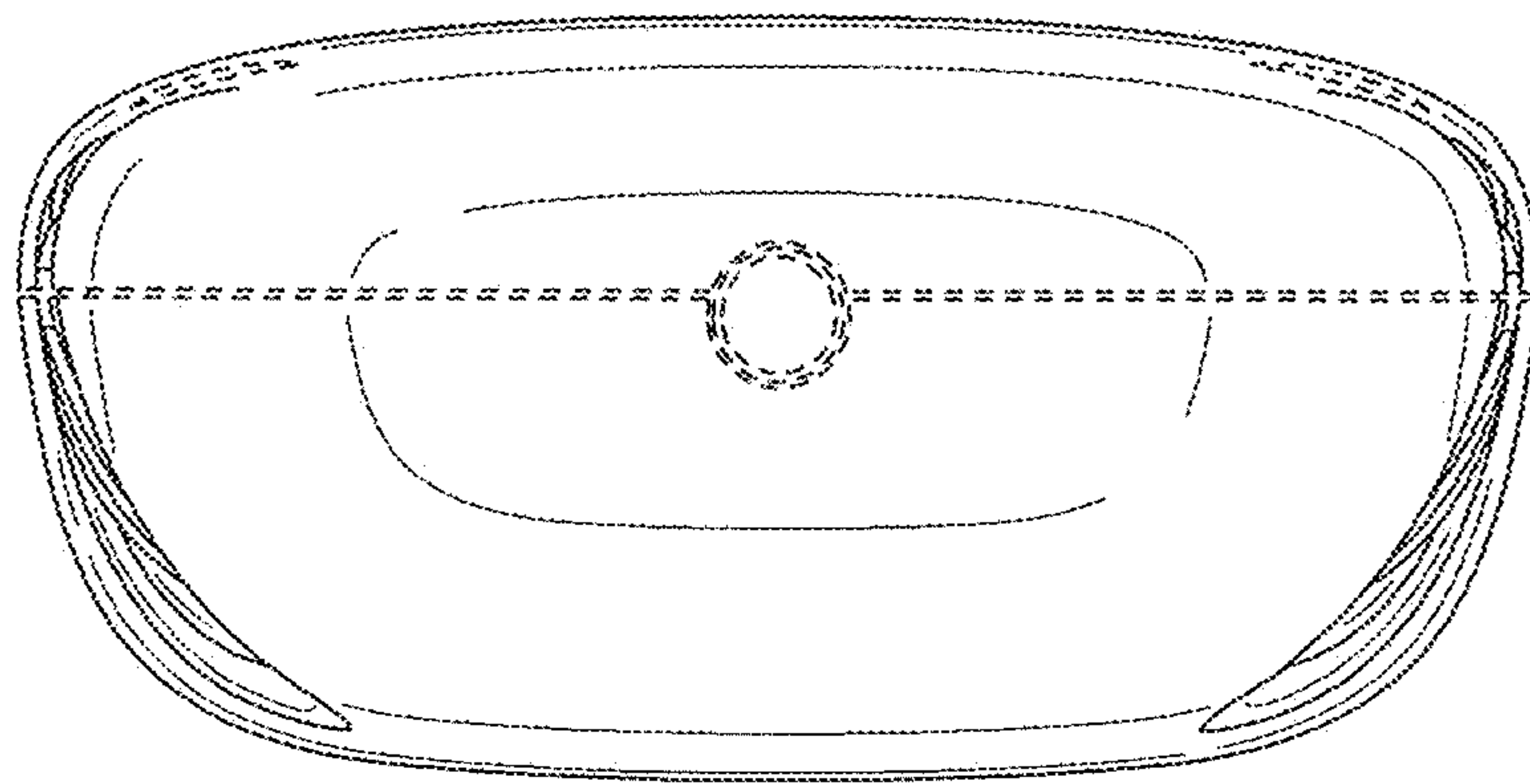


FIG.6

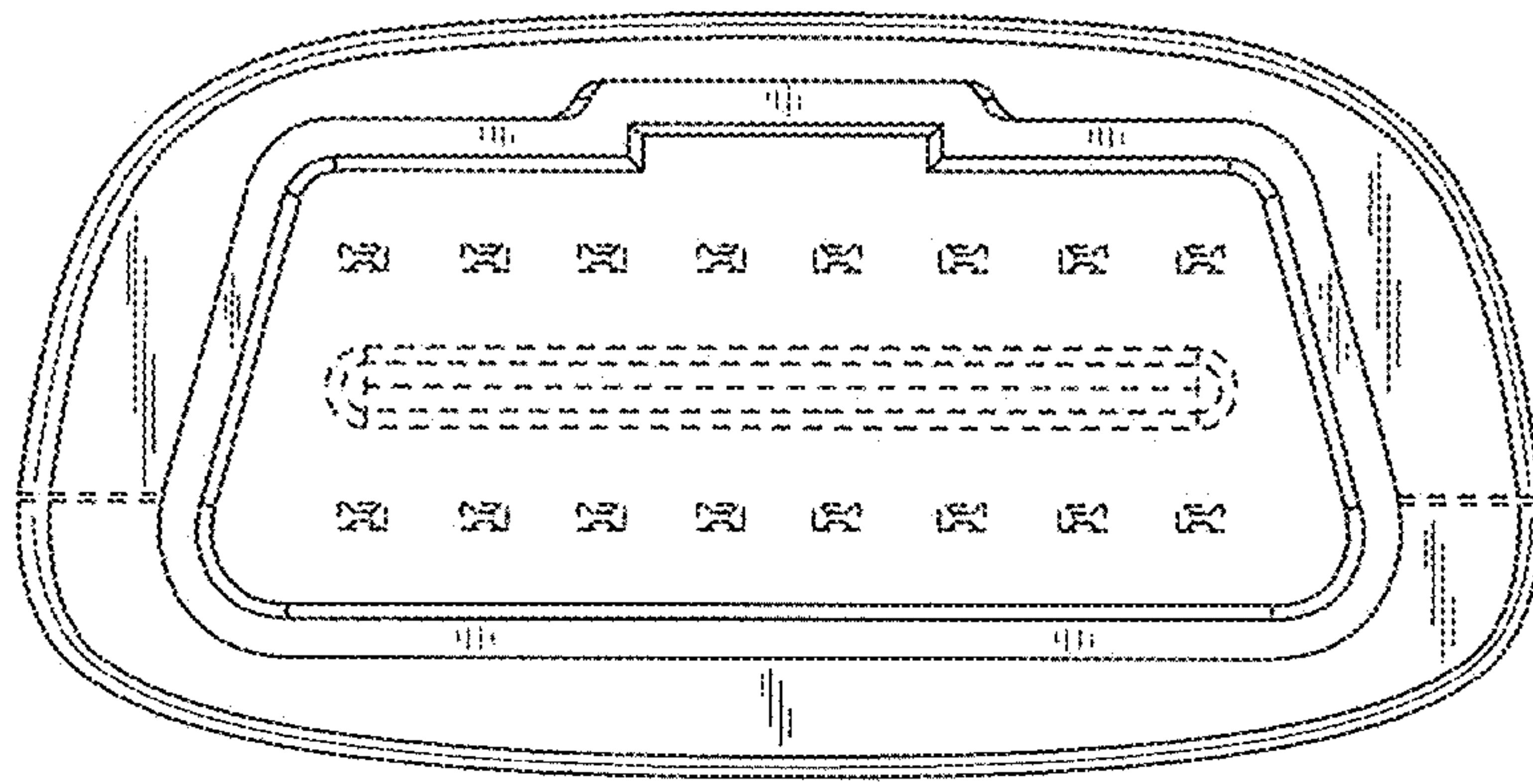


FIG.7

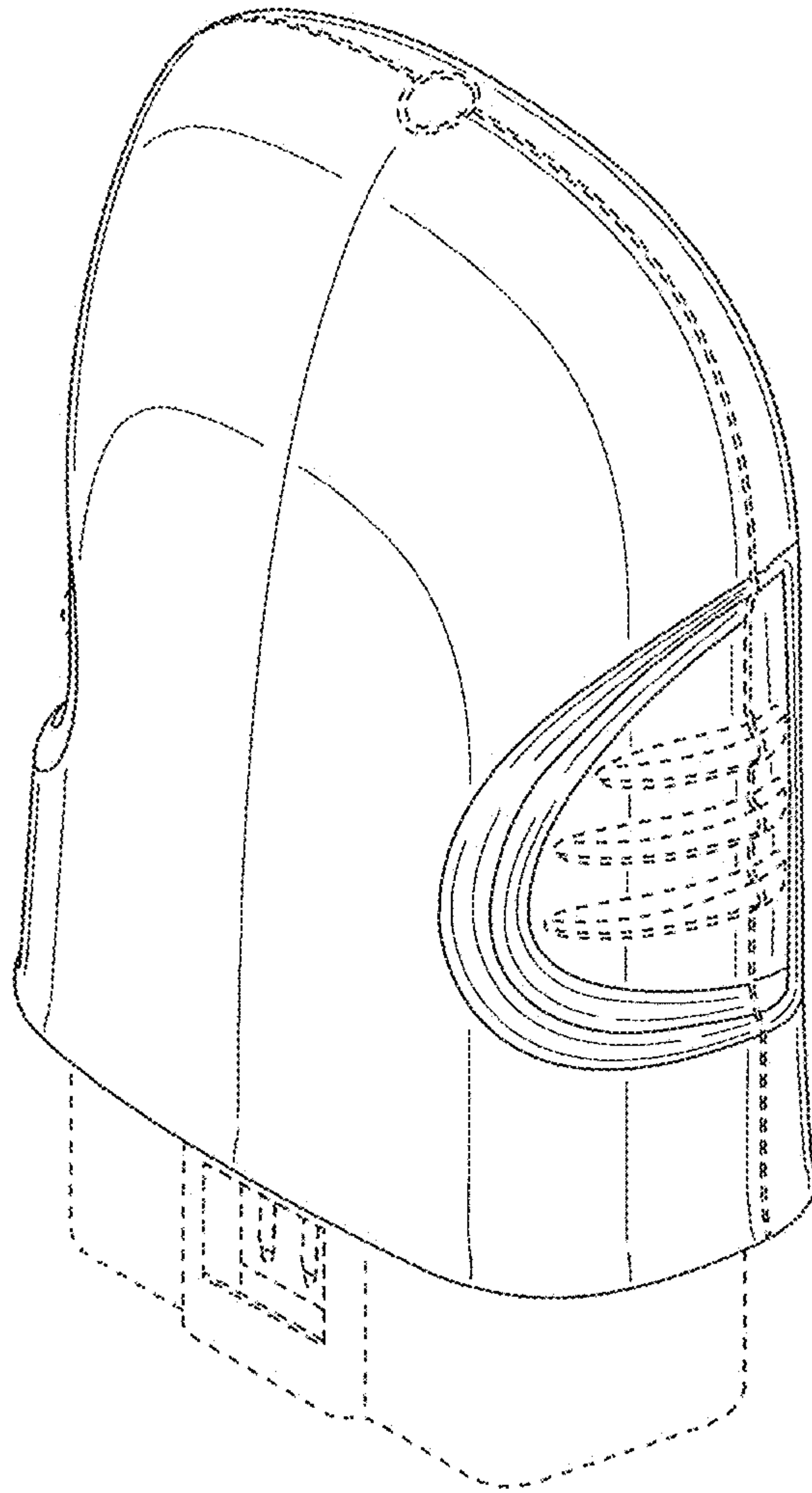


FIG.8

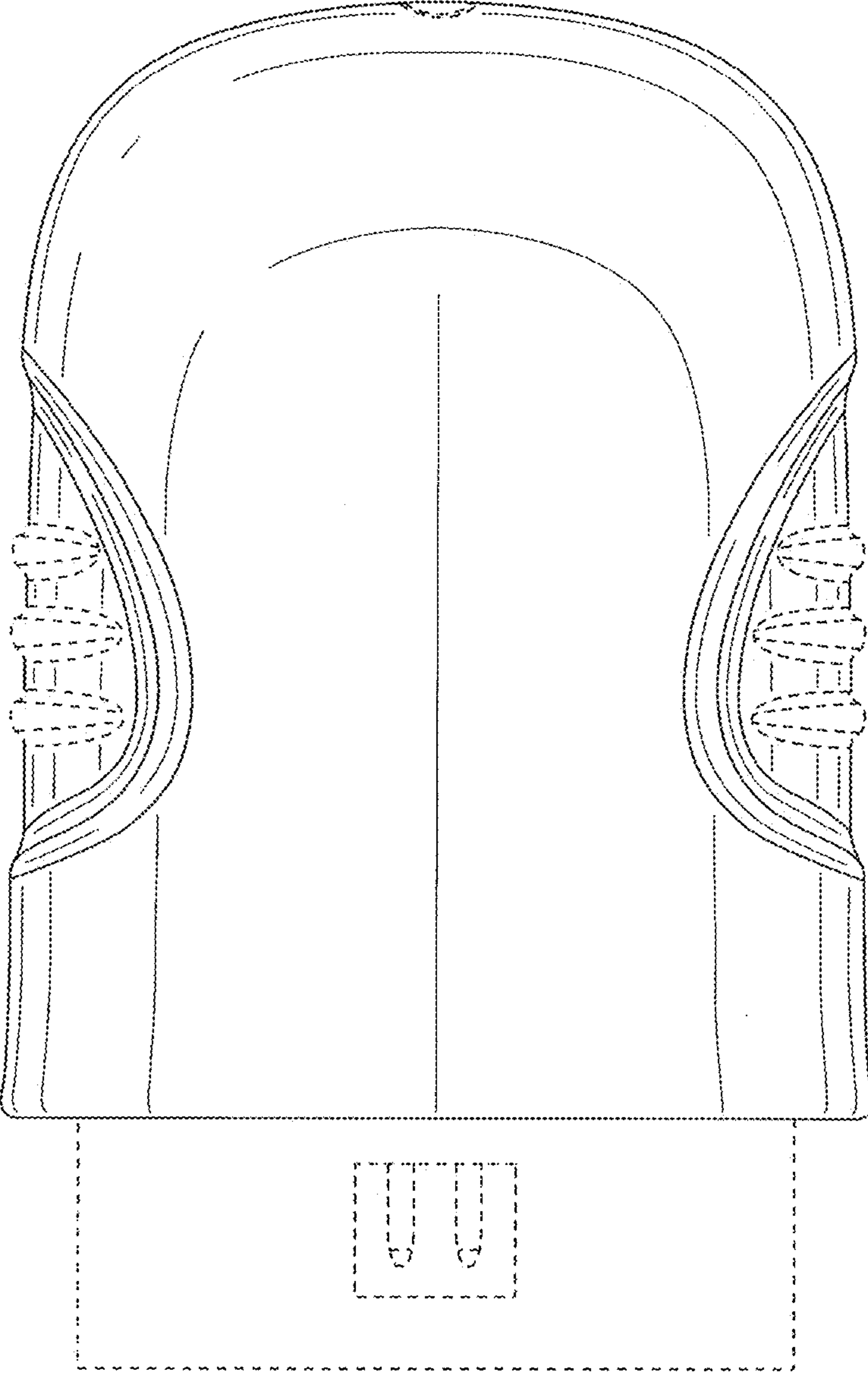


FIG.9

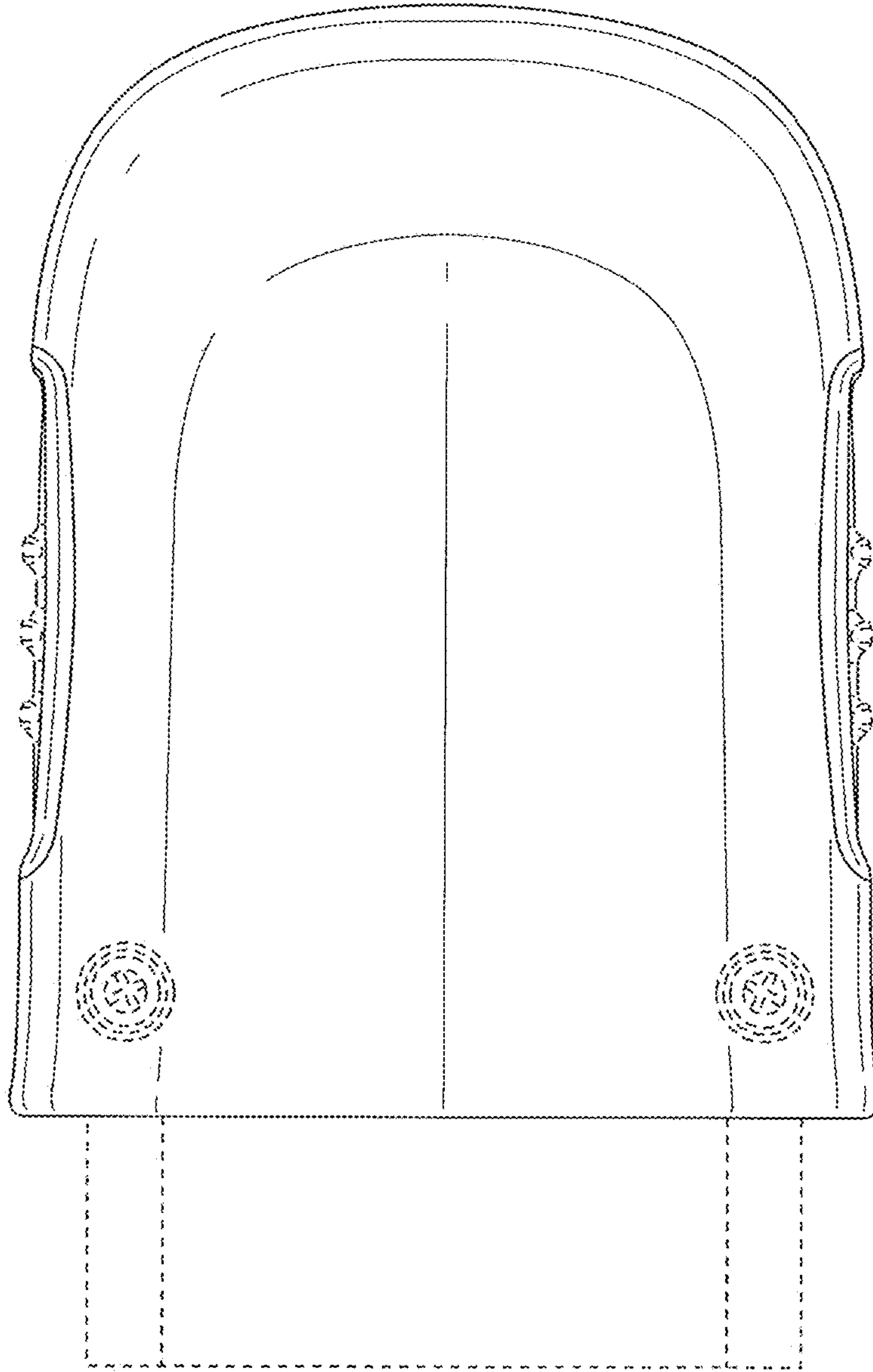


FIG. 10

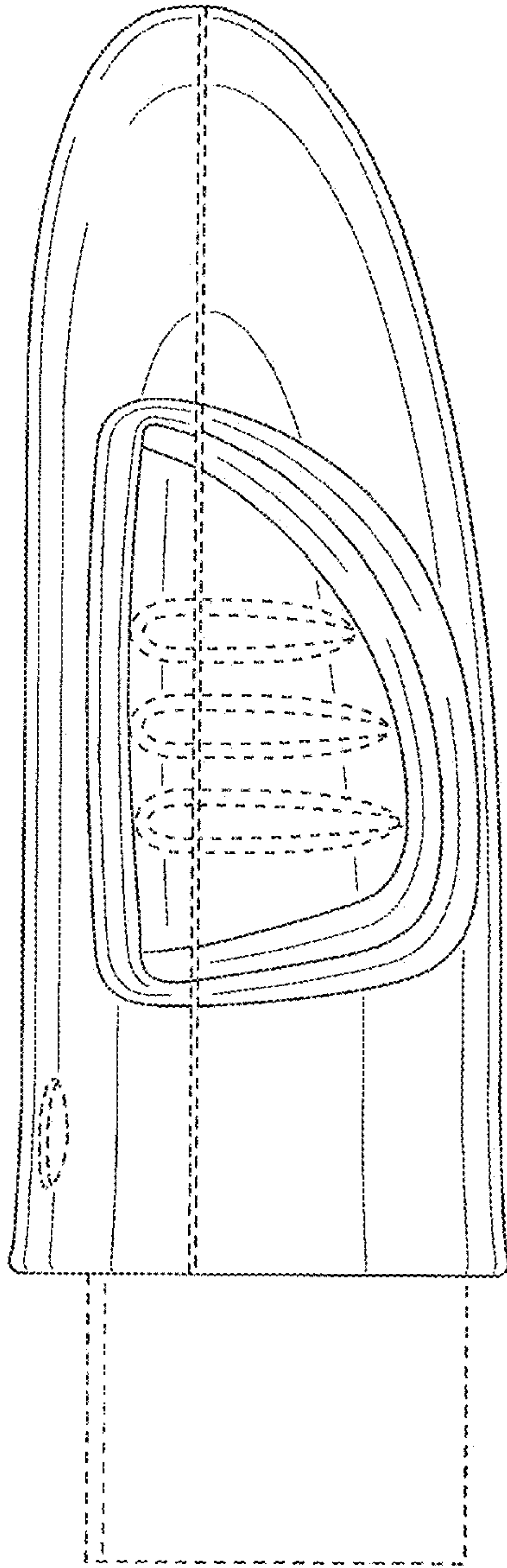


FIG.11

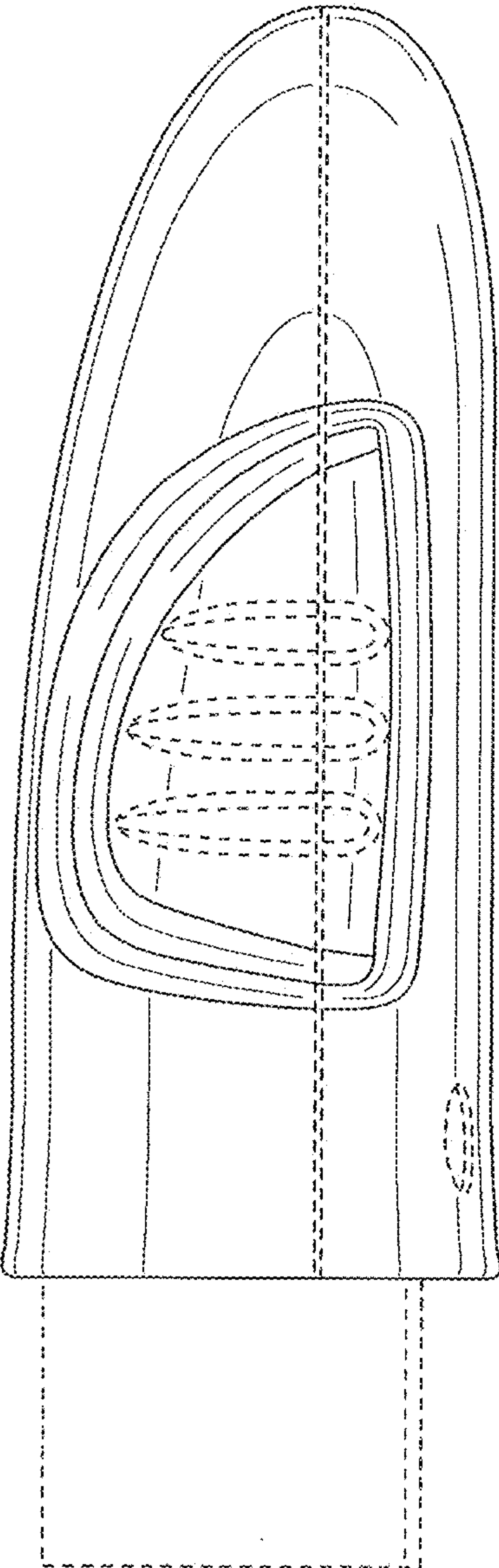


FIG.12

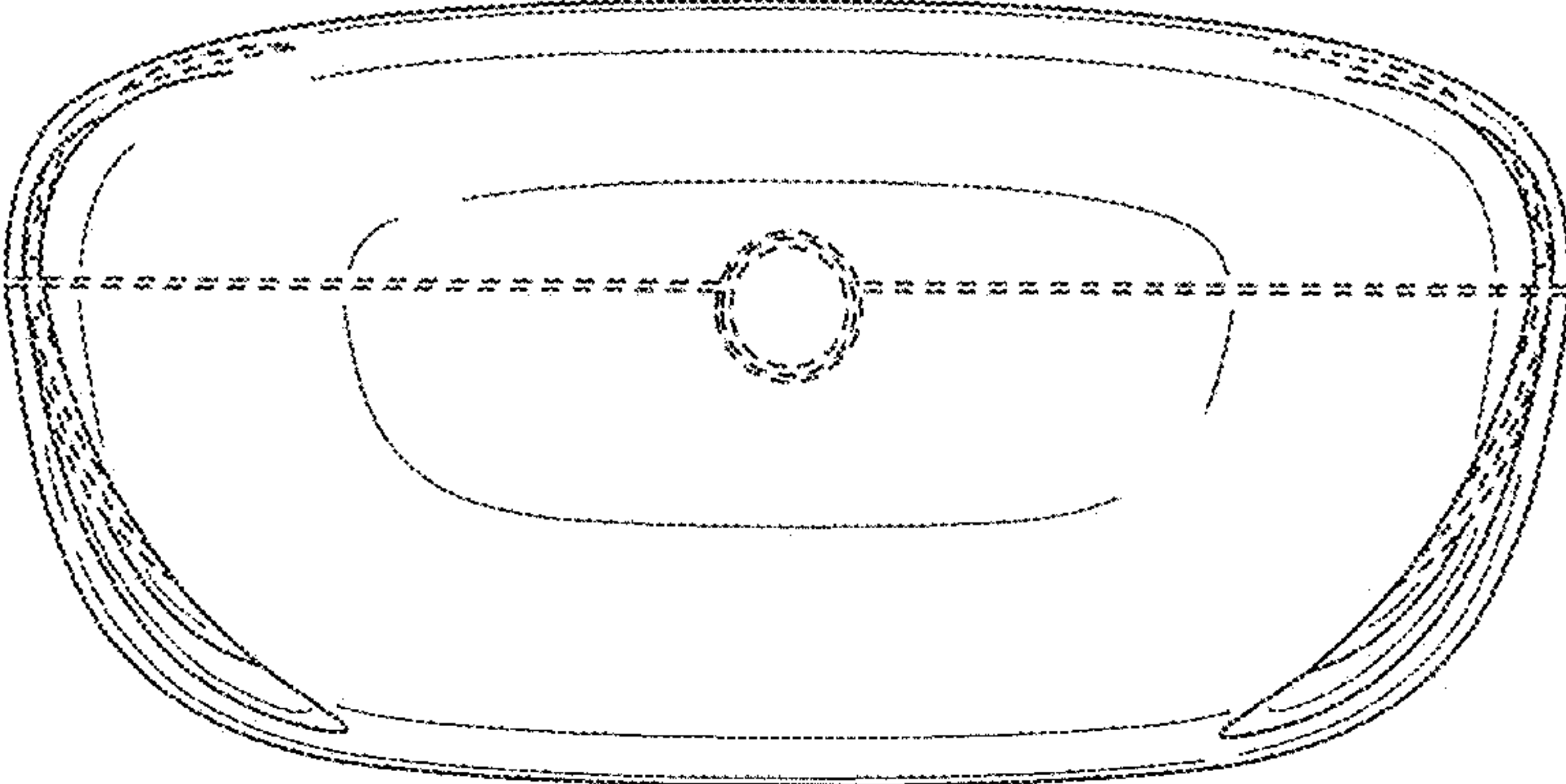


FIG.13

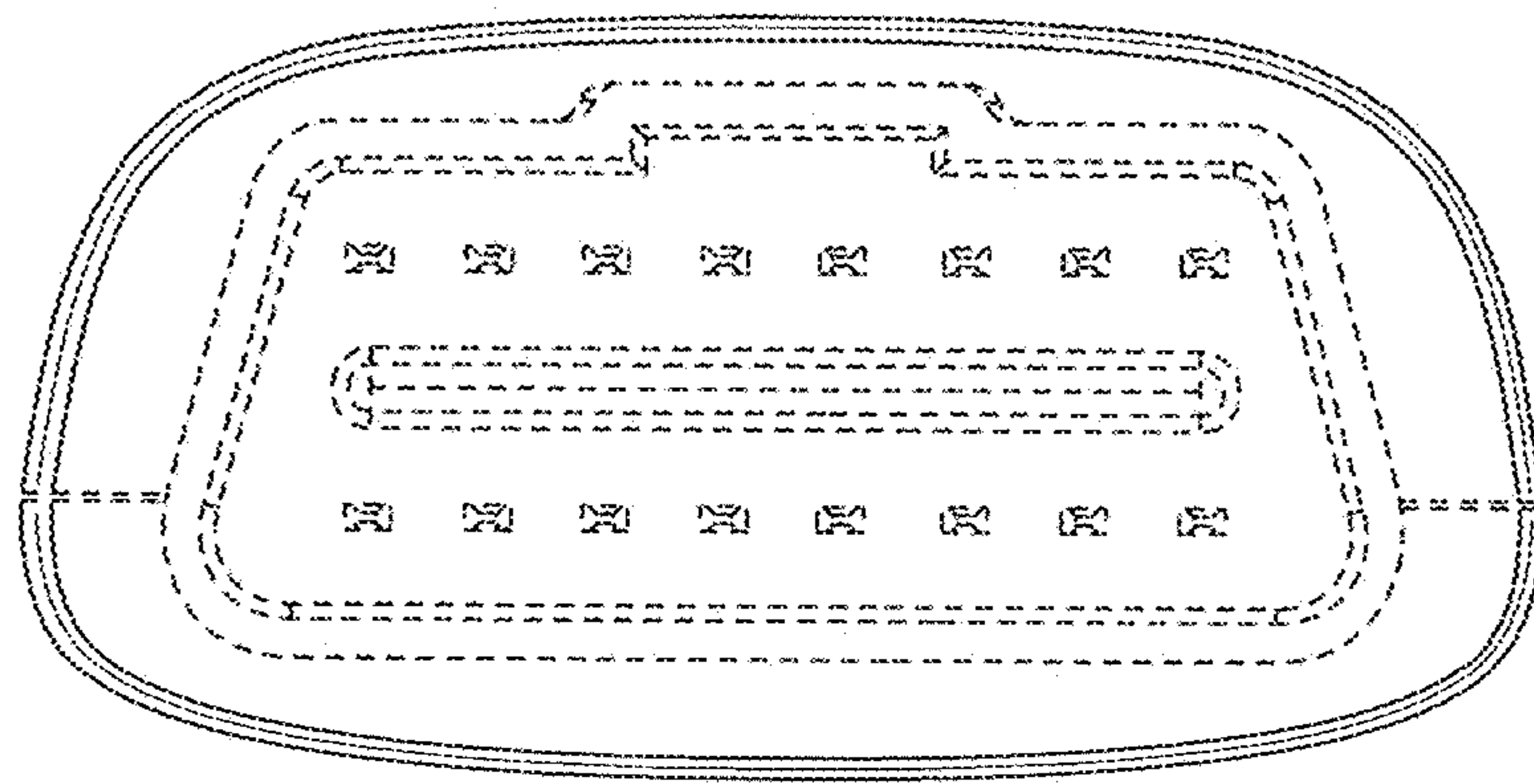


FIG.14