



US00D766114S

(12) **United States Design Patent**
Rossi

(10) **Patent No.:** **US D766,114 S**

(45) **Date of Patent:** **** Sep. 13, 2016**

(54) **SMART WATCH**

(71) Applicant: **Massimiliano Rossi**, Spilimbergo (IT)

(72) Inventor: **Massimiliano Rossi**, Spilimbergo (IT)

(**) Term: **14 Years**

(21) Appl. No.: **29/519,201**

(22) Filed: **Mar. 3, 2015**

(30) **Foreign Application Priority Data**

Sep. 5, 2014 (EM) 002531921-0001
Sep. 5, 2014 (EM) 002532069-0001
Sep. 5, 2014 (EM) 002532069-0002

(51) **LOC (10) Cl.** **10-04**

(52) **U.S. Cl.**
USPC **D10/65**; D10/70; D10/78; D10/98

(58) **Field of Classification Search**
USPC D10/30-39, 65, 70, 78, 97, 98; D11/3;
D14/138 R, 203.5, 203.6, 341, 344,
D14/347; D24/167, 168
CPC A44C 5/00-5/16; G04B 37/00-37/228;
G04B 45/0069; G04B 47/04; G04B
19/00-19/34; G04B 21/12; G04B 23/12;
G04B 47/00-47/068; G01C 17/00; G01C
21/00-21/3697

See application file for complete search history.

(56) **References Cited**

U.S. PATENT DOCUMENTS

8,275,327 B2* 9/2012 Yi G04G 21/04
455/556.1
8,568,310 B2* 10/2013 Kahn A61B 5/1038
482/1

D693,251 S * 11/2013 Anderssen D10/65
8,641,306 B2* 2/2014 Schaffer G06F 1/163
368/10
D716,677 S * 11/2014 Messier D10/70
8,942,070 B1* 1/2015 Shah G04G 9/0082
368/223
D730,209 S * 5/2015 Wolos D10/70
D736,652 S * 8/2015 Isaacs D10/32
9,141,087 B2* 9/2015 Brown G04F 10/00
9,155,505 B2* 10/2015 Caduff A61B 5/01

* cited by examiner

Primary Examiner — Antoine D Davis

(74) *Attorney, Agent, or Firm* — Dilworth & Barrese, LLP.

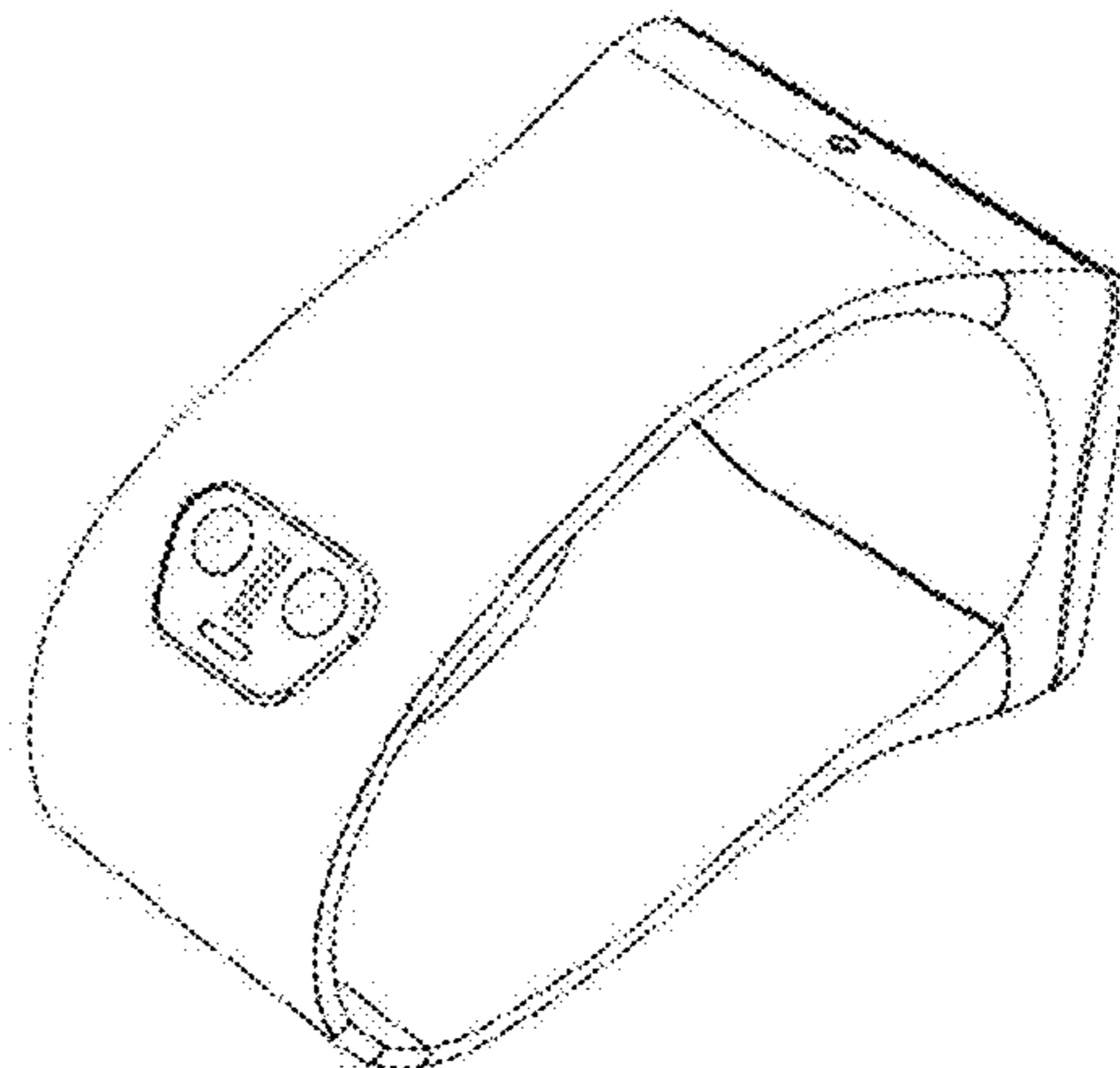
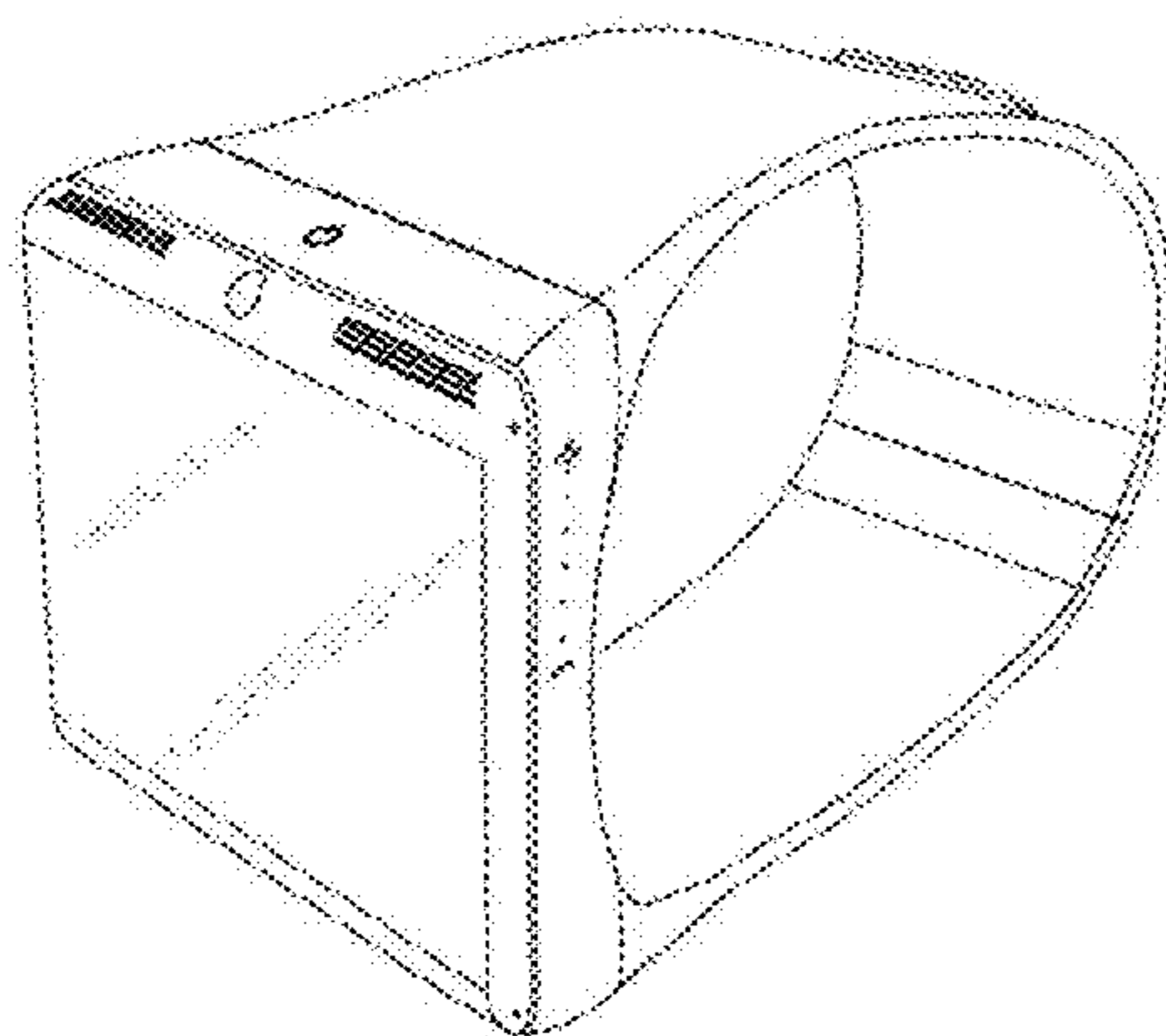
(57) **CLAIM**

The ornamental design for a smart watch, as shown and described.

DESCRIPTION

FIG. 1 is a top view of the smart watch according to the present disclosure;
FIG. 2 is a front view of the smart watch of FIG. 1;
FIG. 3 is a left side view of the smart watch of FIG. 1;
FIG. 4 is a perspective view of the smart watch of FIG. 1;
FIG. 5 is a bottom view of the smart watch of FIG. 1;
FIG. 6 is a rear view of the smart watch of FIG. 1;
FIG. 7 is a right side view of the smart watch of FIG. 1;
FIG. 8 is a perspective view of the smart watch of FIG. 1;
and,
FIG. 9 is a perspective view of the smart watch of FIG. 1. The broken line showing of structural features is included for the purpose of illustrating non-claimed subject matter and forms no part of the claimed design.

1 Claim, 2 Drawing Sheets



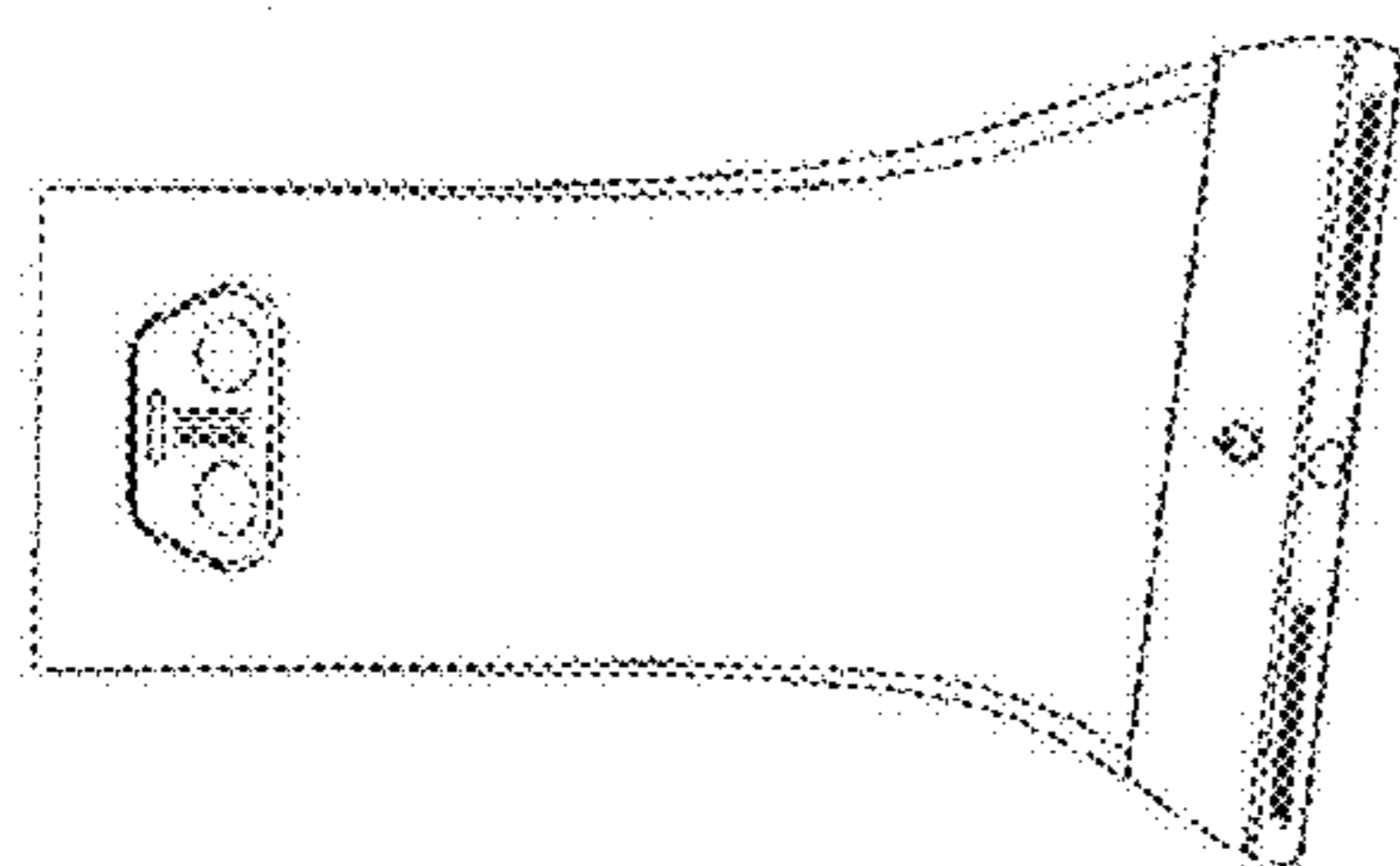


Fig. 1

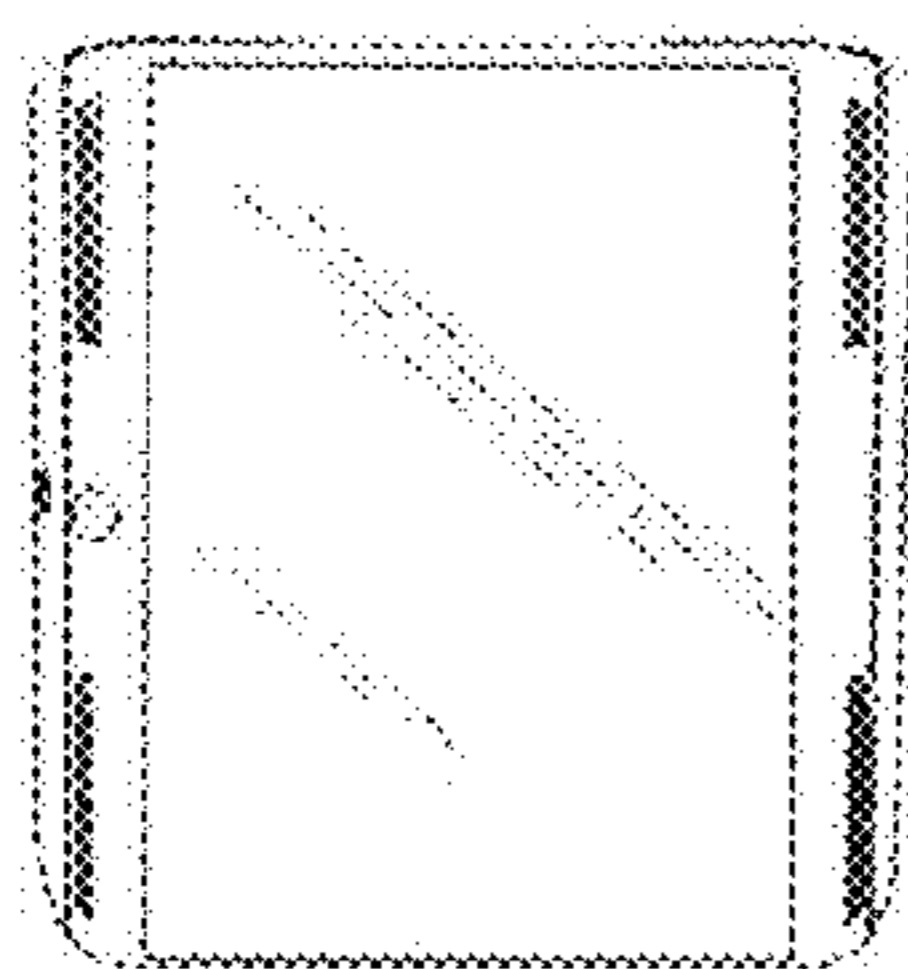


Fig. 2

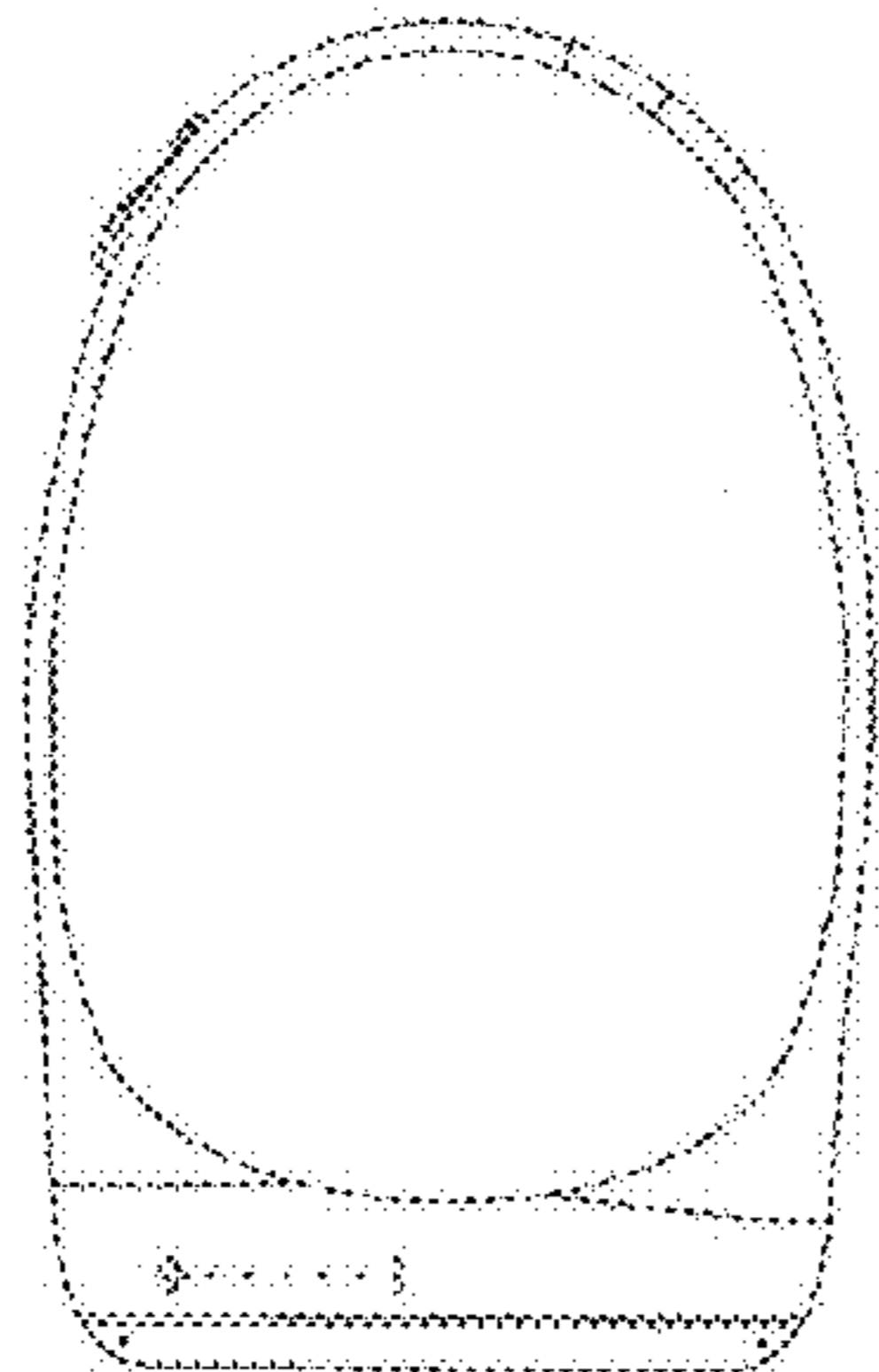


Fig. 3

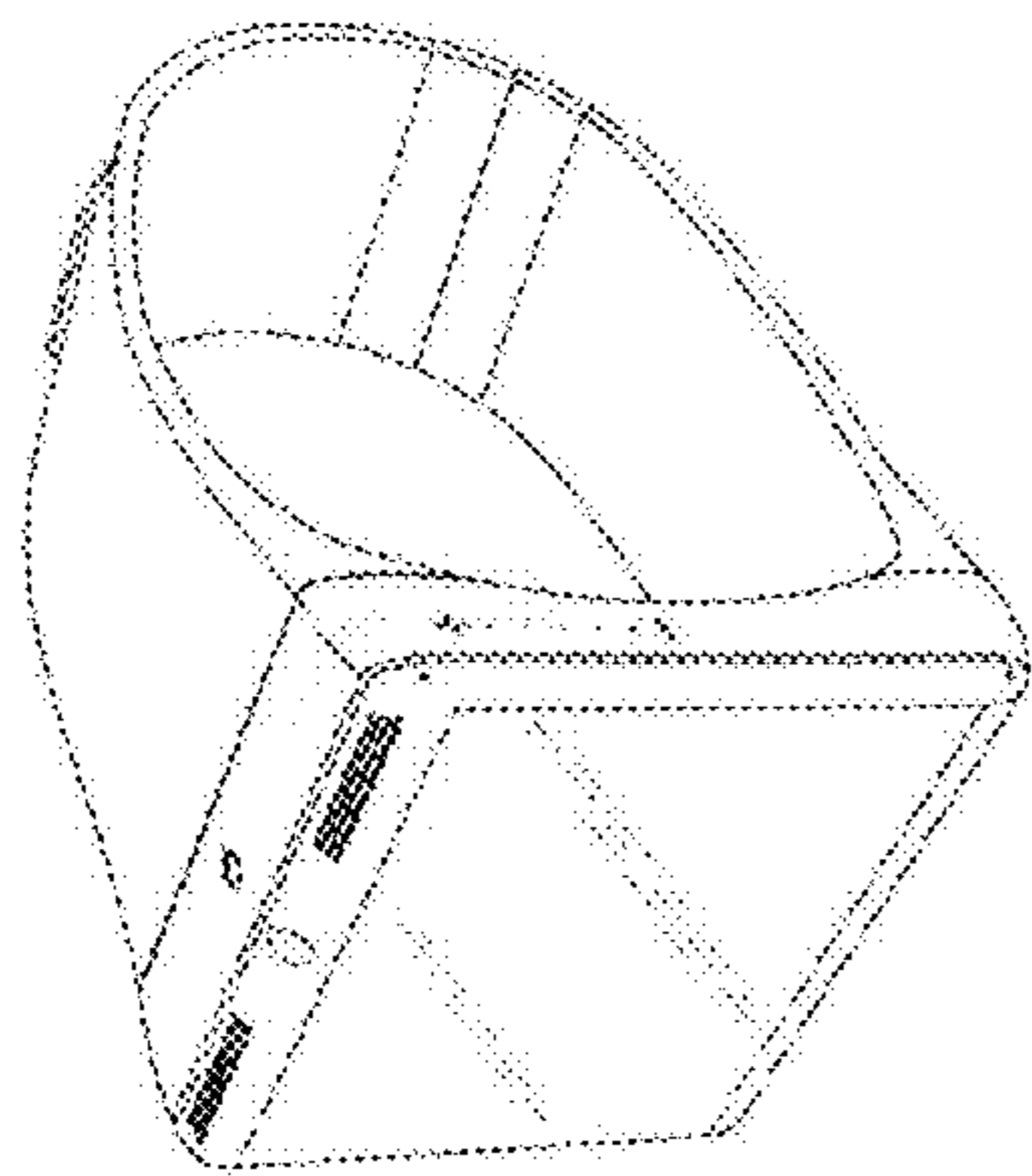


Fig. 4

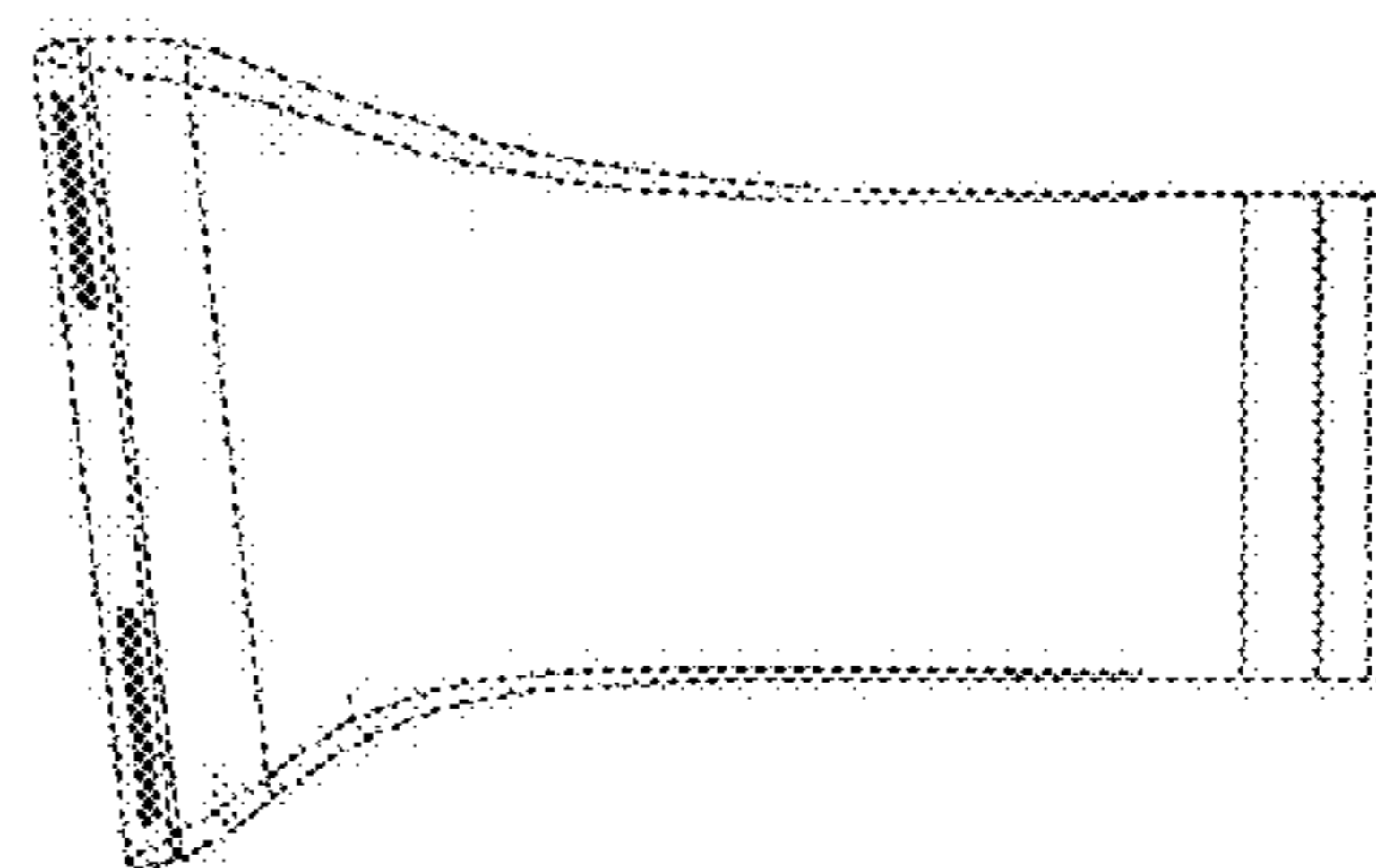


Fig. 5

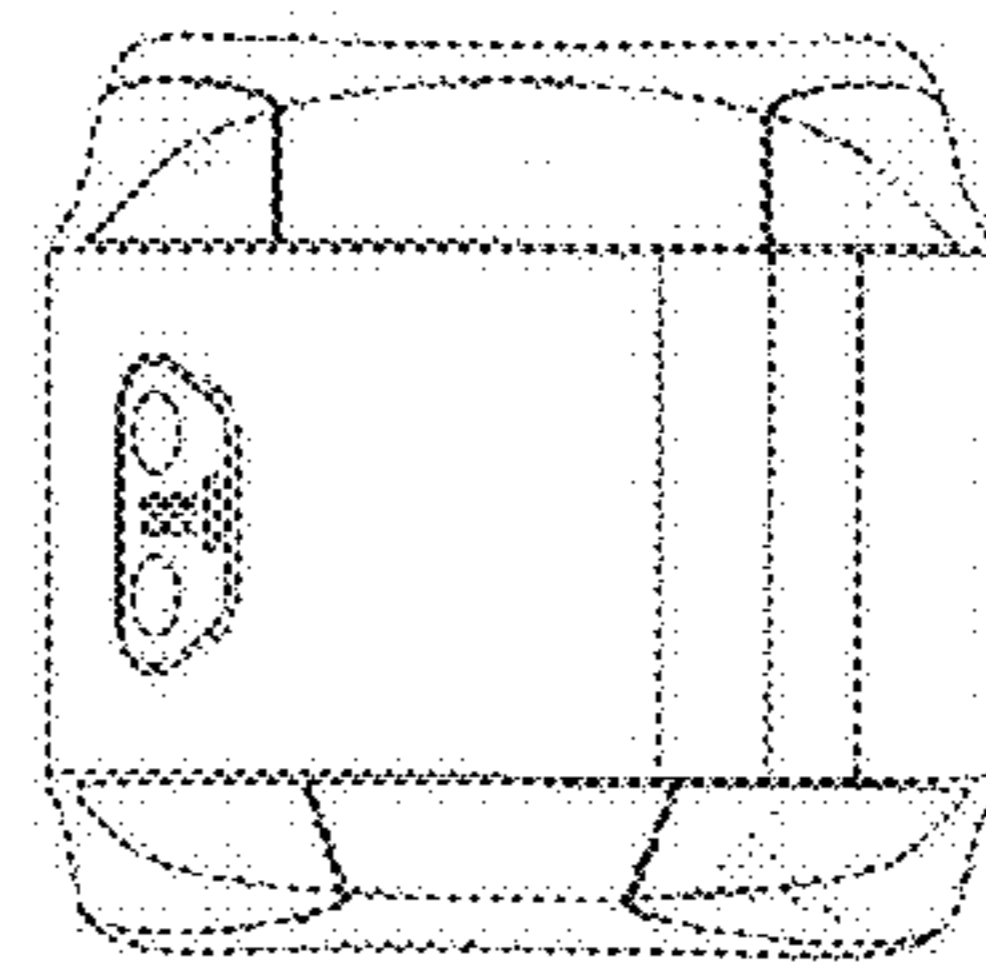


Fig. 6

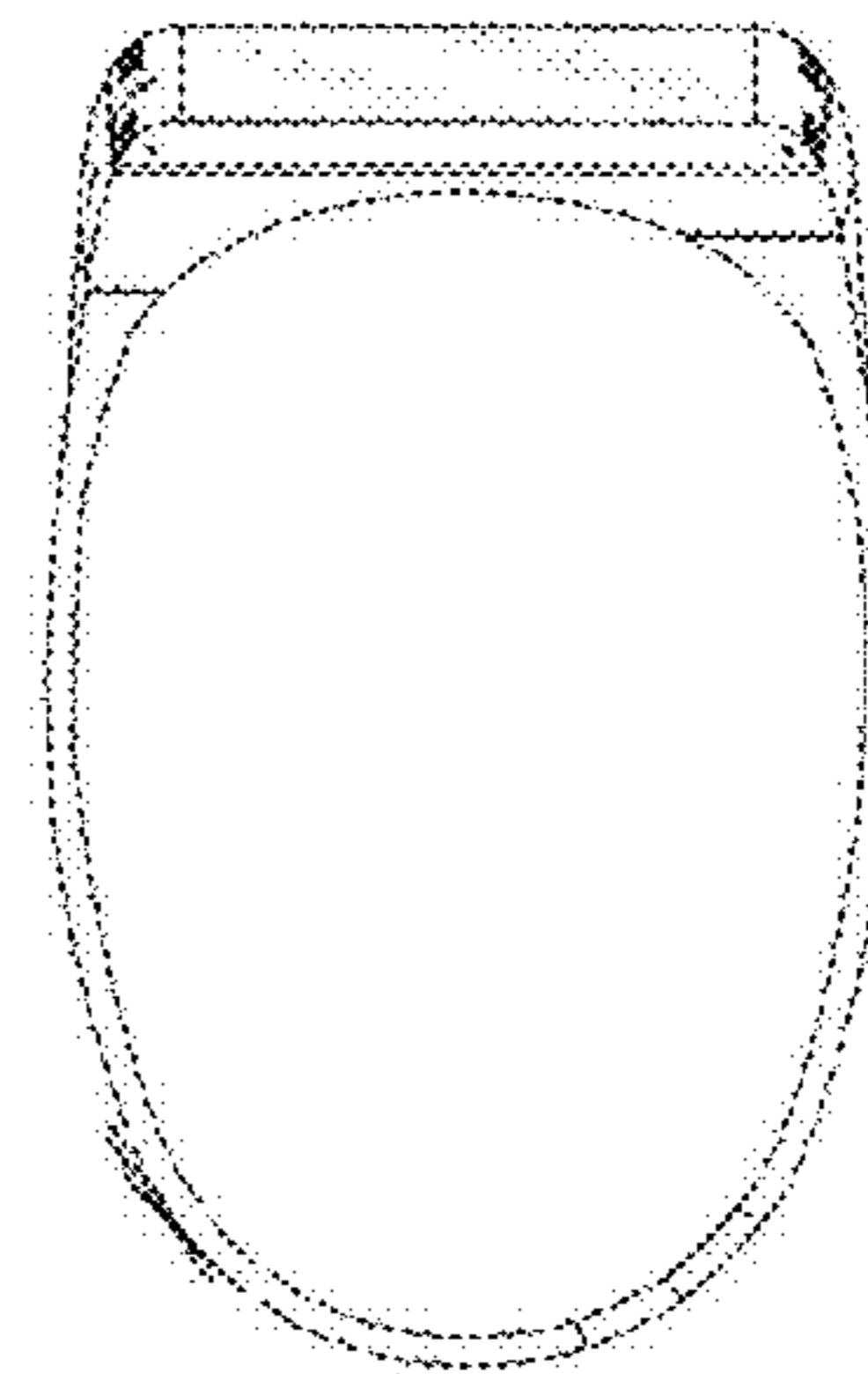


Fig. 7

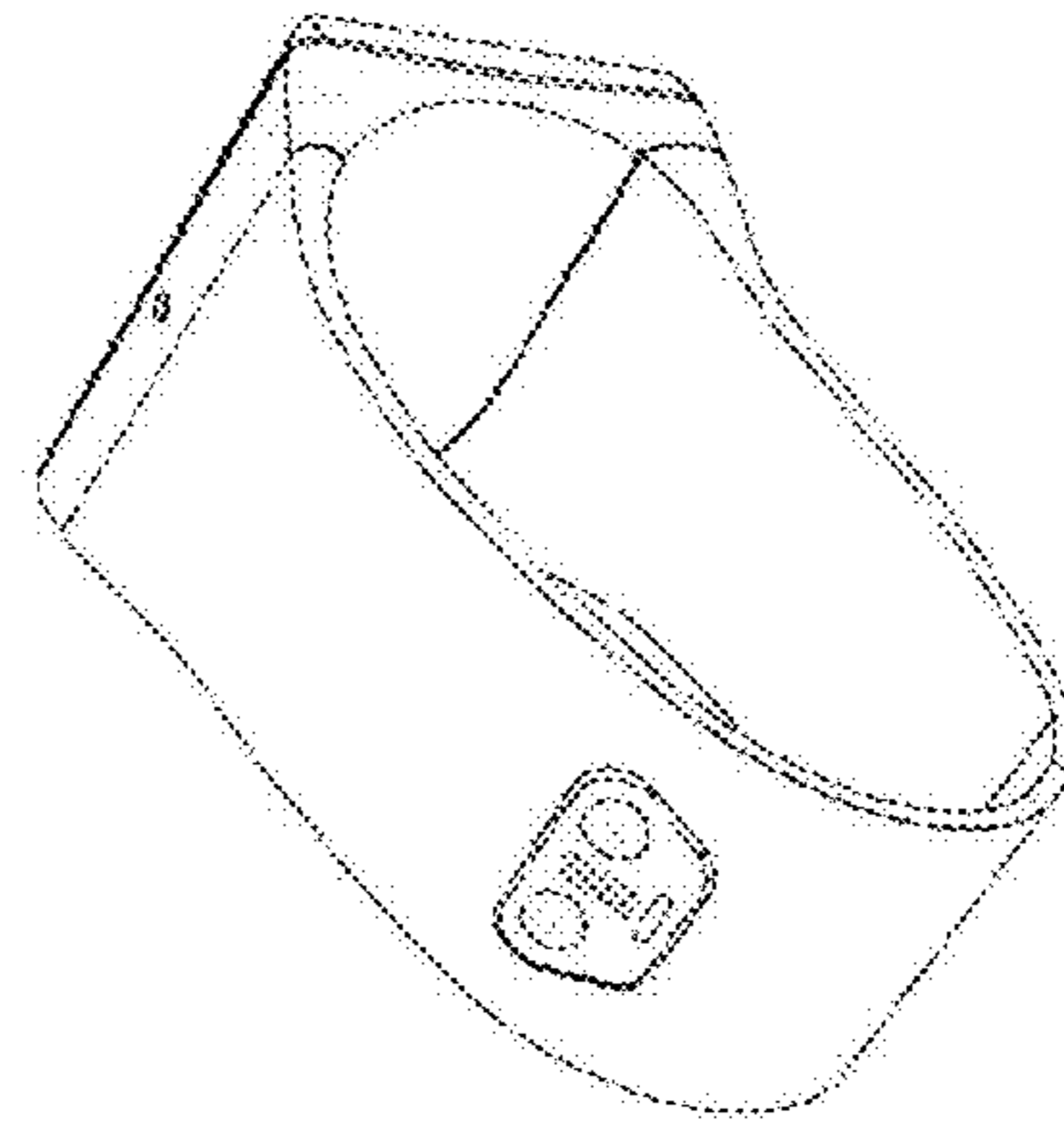


Fig. 8

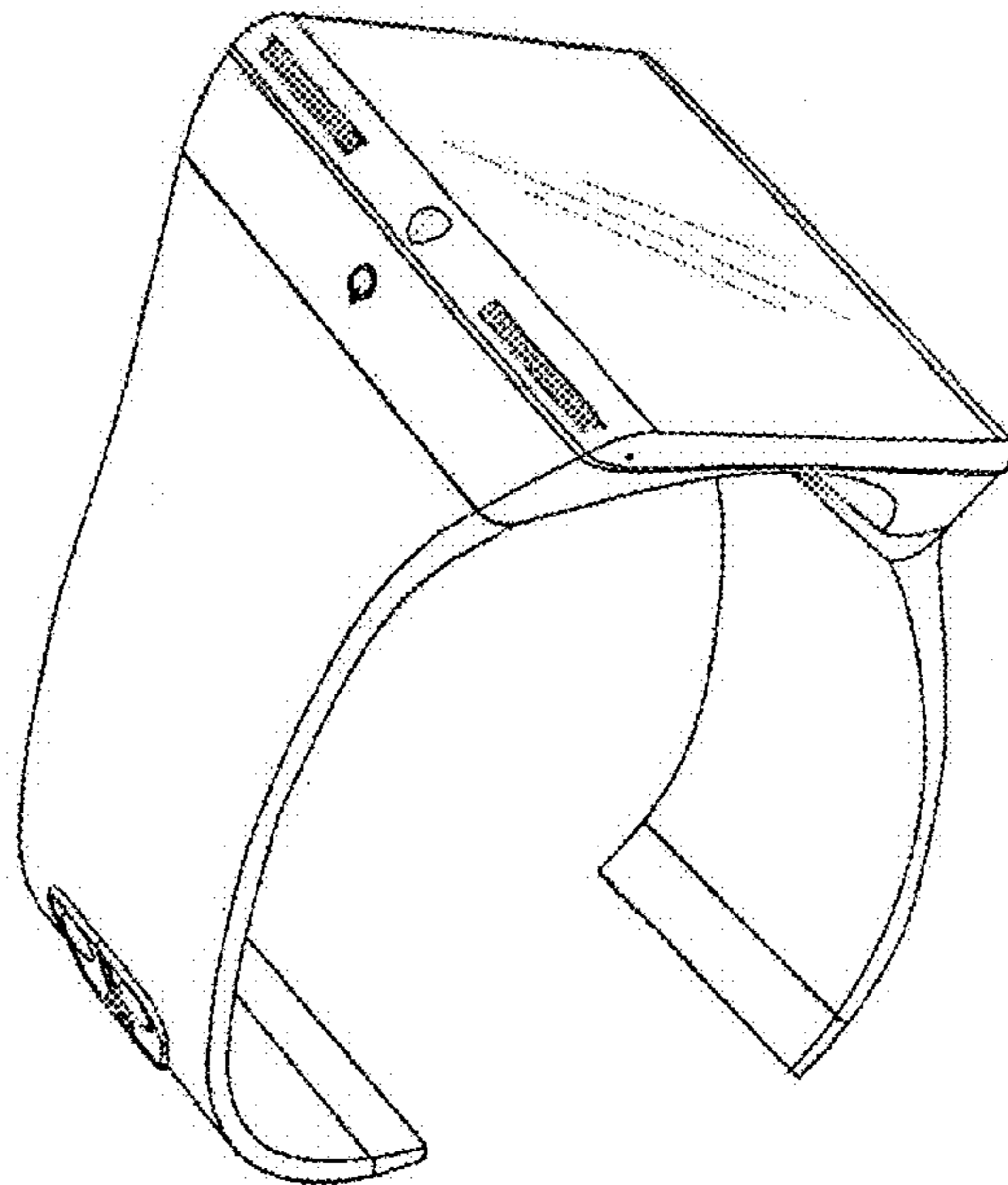


Fig. 9