

US00D766110S

(12) **United States Design Patent** (10) **Patent No.:** **US D766,110 S**  
**Whitis** (45) **Date of Patent:** **\*\* Sep. 13, 2016**

(54) **DISPOSABLE MICROWAVEABLE FOOD CONTAINER WARMER**

(71) Applicant: **Brent Whitis**, Killeen, TX (US)

(72) Inventor: **Brent Whitis**, Killeen, TX (US)

(\*\*) Term: **14 Years**

(21) Appl. No.: **29/496,111**

(22) Filed: **Jul. 9, 2014**

(51) **LOC (10) Cl.** ..... **09-03**

(52) **U.S. Cl.**  
USPC ..... **D9/737**

(58) **Field of Classification Search**  
USPC ..... D9/737, 425; D24/206; D7/368, 388,  
D7/323, 351, 409; 219/725; 126/246, 400,  
126/204; 607/104, 108-112; 165/46; 62/4;  
383/901  
CPC ..... A47G 23/04; F24C 15/34; A47J 36/022;  
A47J 36/027; H05B 6/6494; H05B 6/80  
See application file for complete search history.

5,993,480 A	11/1999	Burrows	
6,147,337 A	11/2000	Besser	
D546,119 S *	7/2007	Dodge	D7/388
D587,811 S *	3/2009	Uchiyama	D24/206
D587,812 S *	3/2009	Uchiyama	D24/206
D609,359 S *	2/2010	Yim	D24/206
D627,527 S *	11/2010	Ferguson, III	D30/118
D628,705 S *	12/2010	Usui	D24/206
D628,706 S *	12/2010	Usui	D24/206
D699,514 S *	2/2014	Lovley, II	D7/359
D707,085 S *	6/2014	Carmichael	D7/554.2
D720,629 S *	1/2015	Snedden	D9/425
D731,231 S *	6/2015	Steininger	D7/354
D741,199 S *	10/2015	Flury	D9/457
D747,221 S *	1/2016	Changpan	D9/425
D749,906 S *	2/2016	Lee	D7/362
D755,984 S *	5/2016	Law	D24/206
2008/0108986 A1	5/2008	Menese	
2009/0145420 A1 *	6/2009	Whitis	A47J 36/022 126/246
2010/0217363 A1	8/2010	Whitely	
2012/0325807 A1 *	12/2012	Jeon	H05B 6/6408 219/730

\* cited by examiner

*Primary Examiner* — Mark Goodwin

(56) **References Cited**

**U.S. PATENT DOCUMENTS**

2,401,360 A *	6/1946	Lobl	H05B 3/342 219/528
3,463,161 A	8/1969	Andrassy	
4,246,884 A	1/1981	Vandas	
4,777,930 A	10/1988	Hartz	
4,961,930 A *	10/1990	Perdelwitz, Jr.	A01K 1/0353 119/28.5
D362,578 S *	9/1995	Ackley	D6/596
5,593,062 A *	1/1997	Martin	A47G 19/065 220/556
5,630,961 A	5/1997	Salee	
D401,107 S *	11/1998	Rimback	D7/362
5,871,527 A	2/1999	Gubernick	

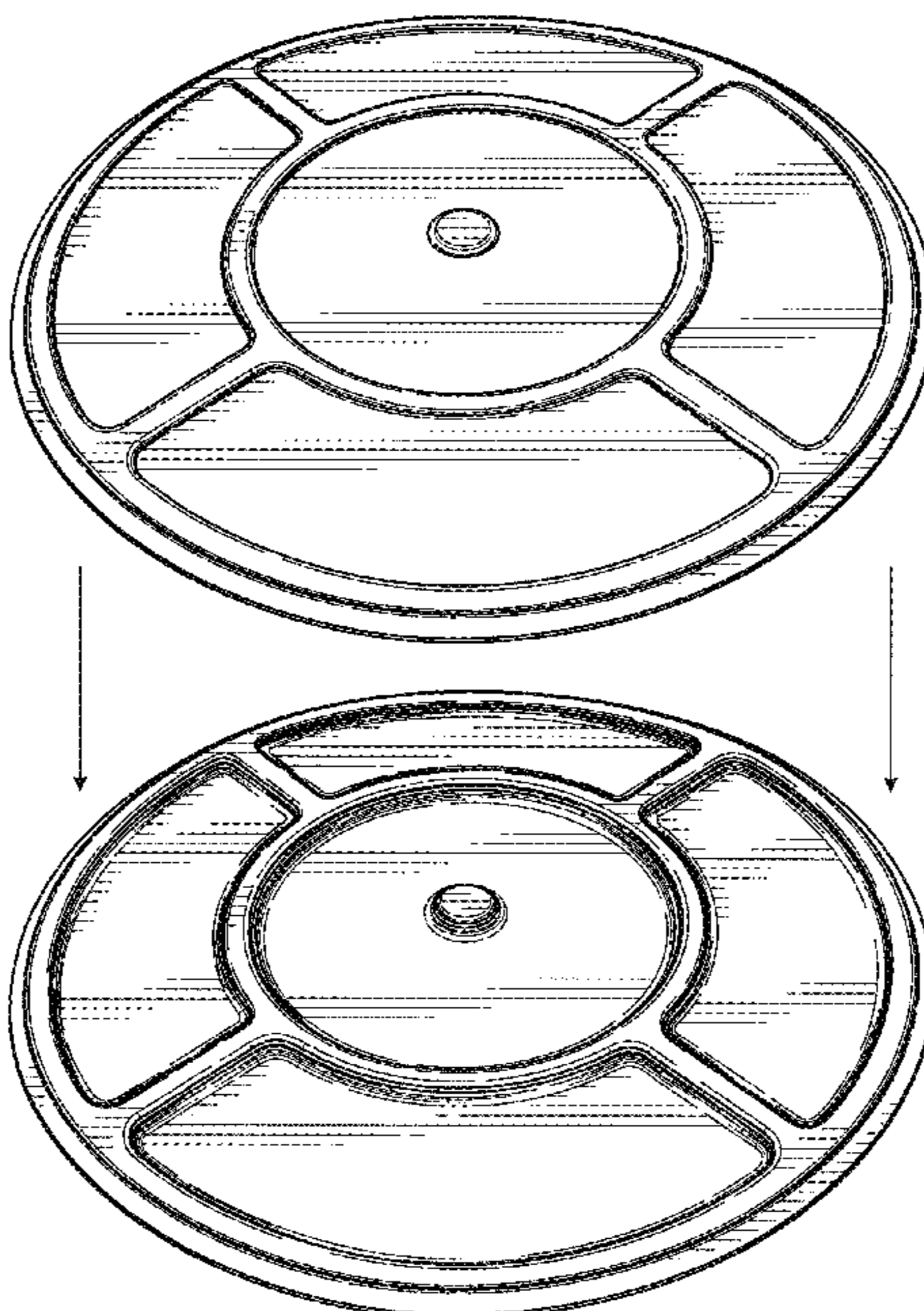
(57) **CLAIM**

An ornamental design for a disposable microwaveable food container warmer, as shown and described.

**DESCRIPTION**

FIG. 1 is a perspective view of a disposable microwaveable food container warmer showing my new design.  
FIG. 2 is a top plan view thereof.  
FIG. 3 is a front view thereof.  
FIG. 4 is a bottom plan view thereof; and,  
FIG. 5 is a left side view thereof, the right side view being a mirror image thereof.

**1 Claim, 4 Drawing Sheets**



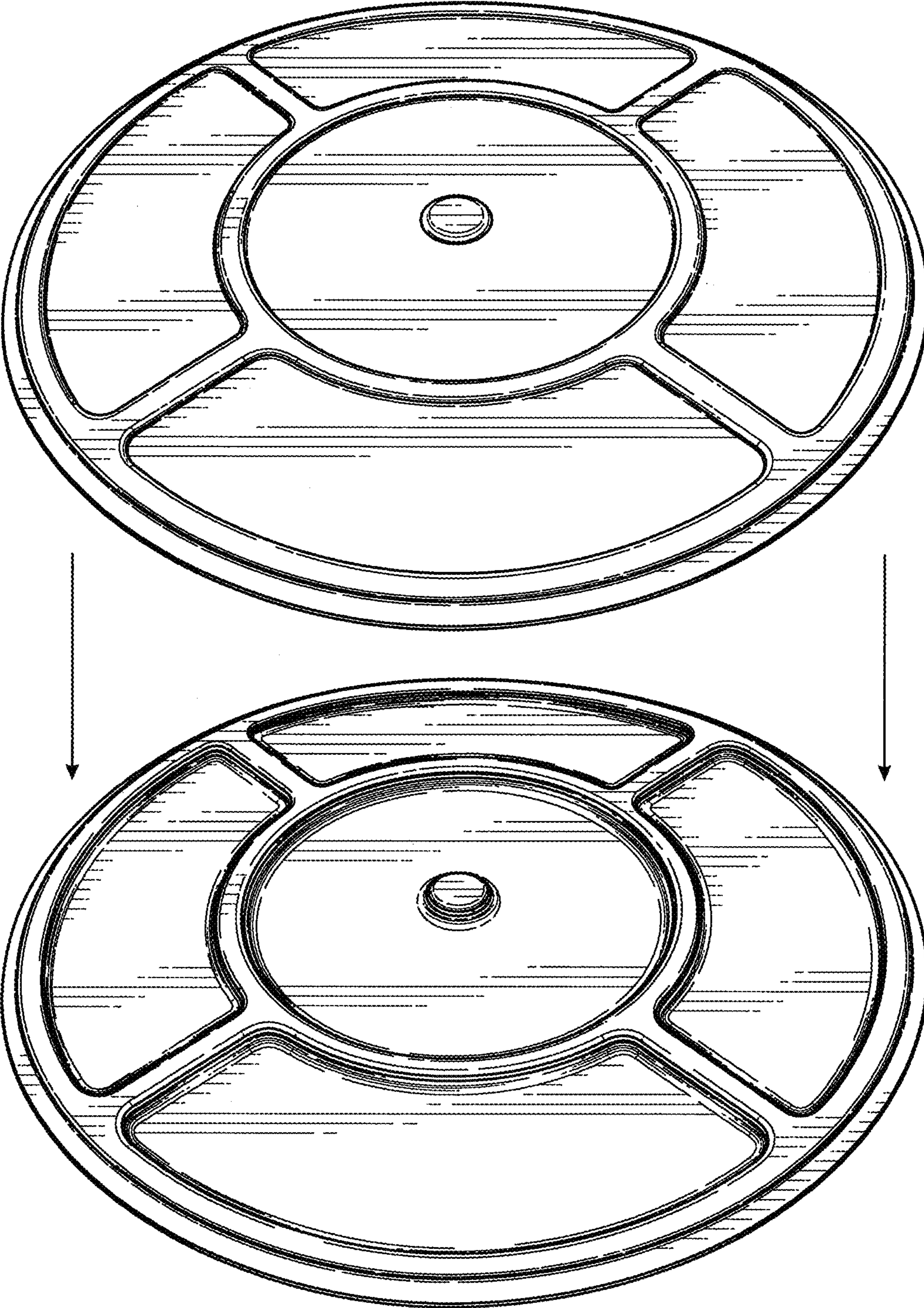


FIG. 1

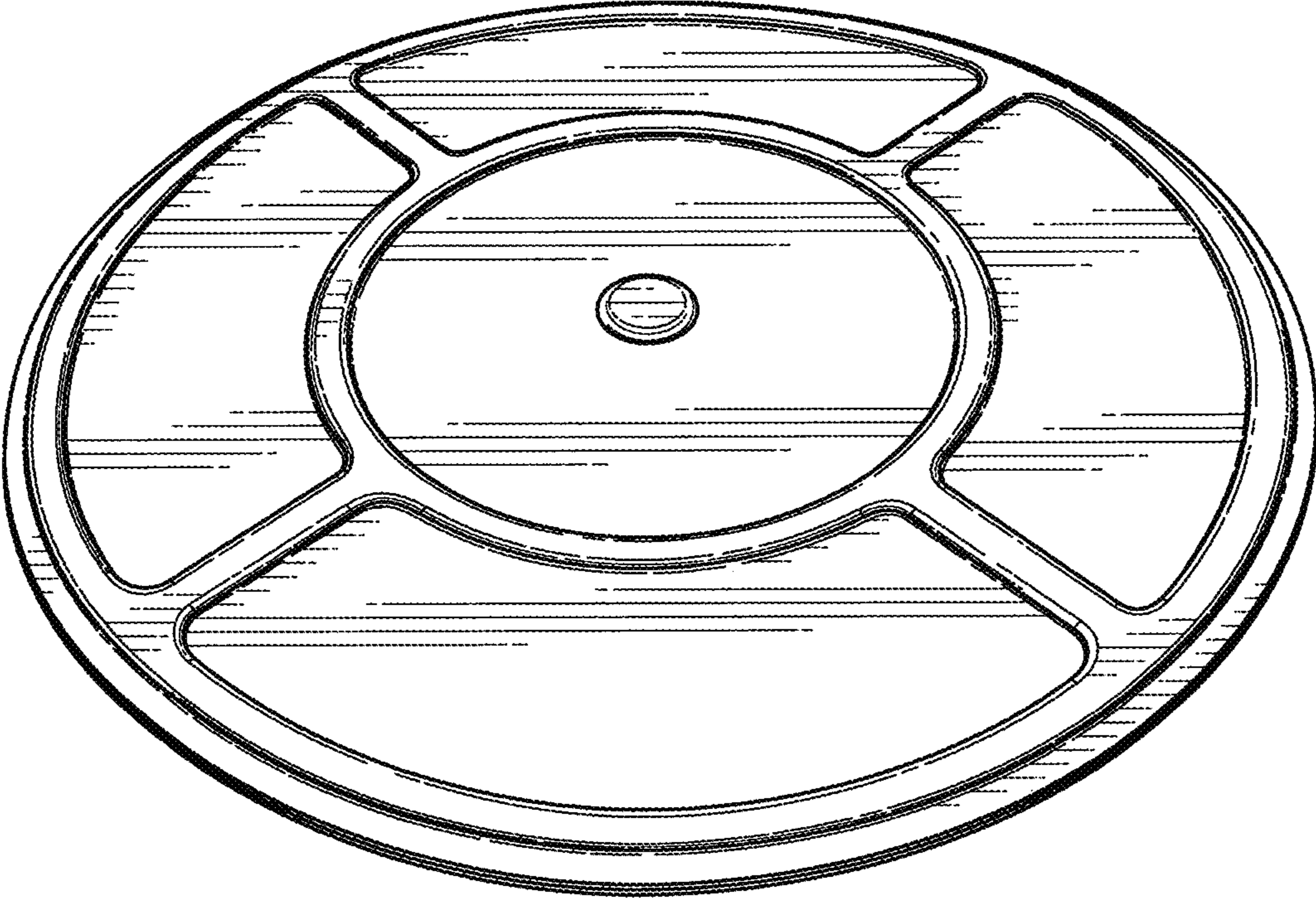


FIG. 2

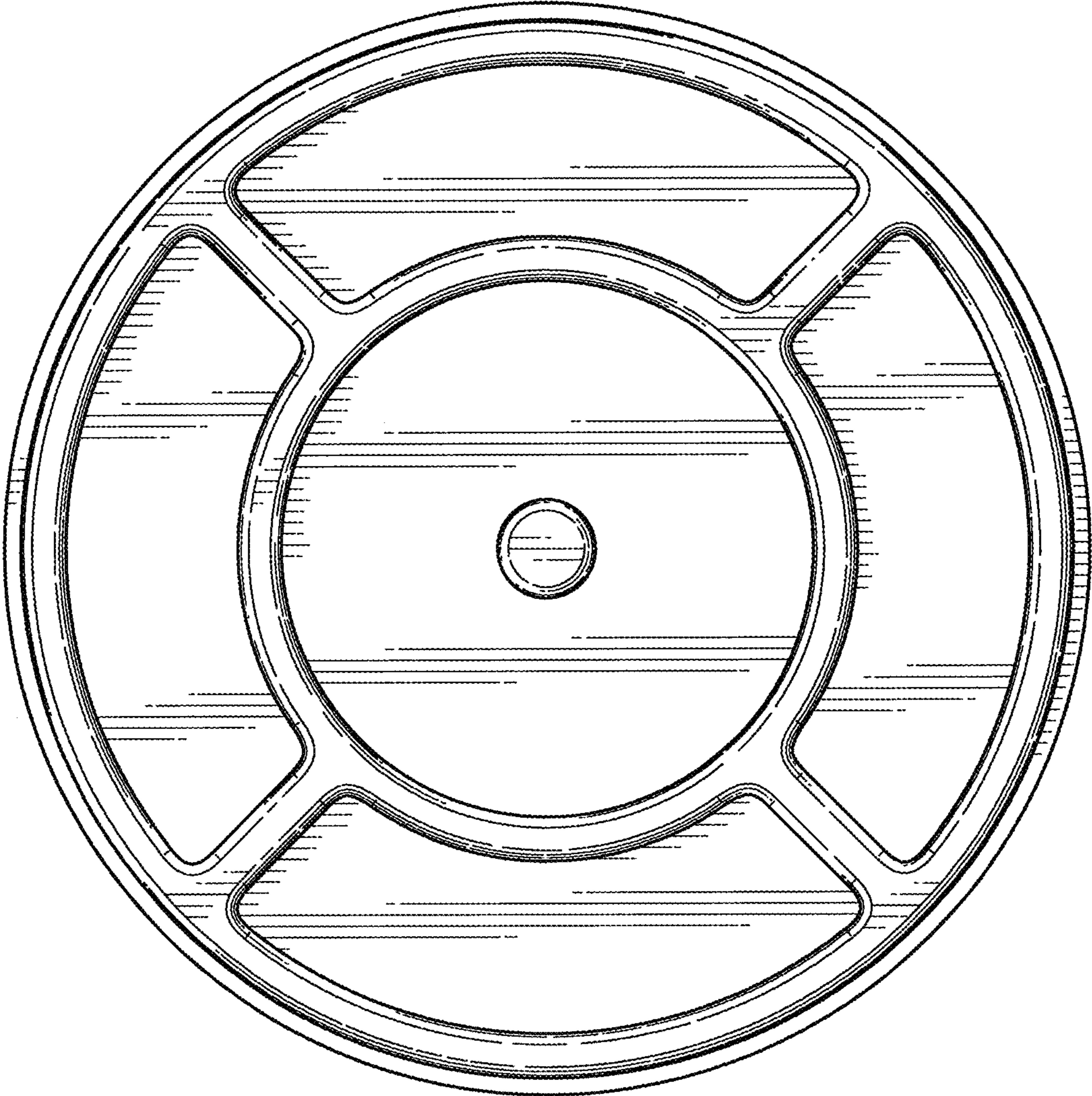


FIG. 3

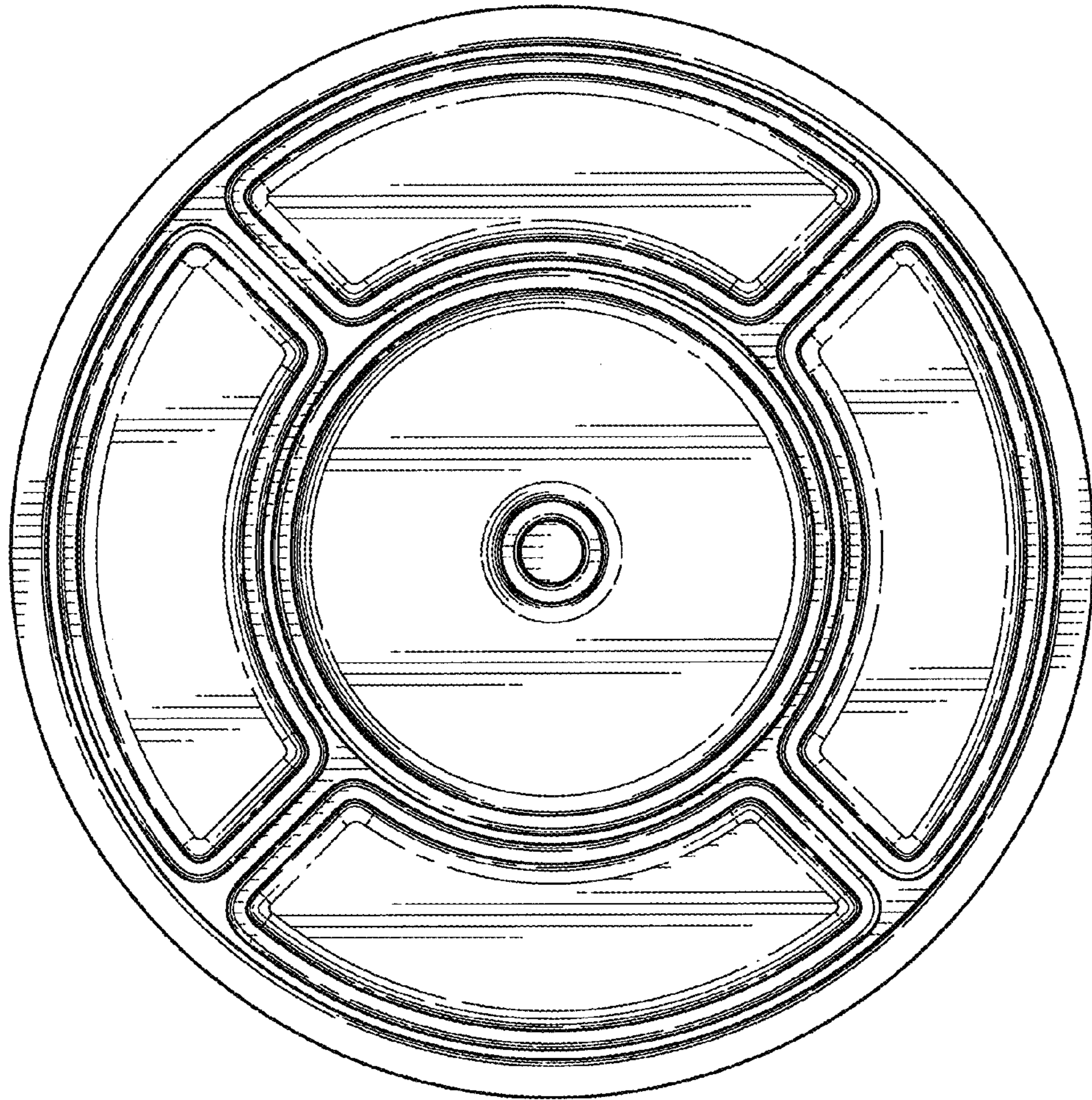


FIG. 4

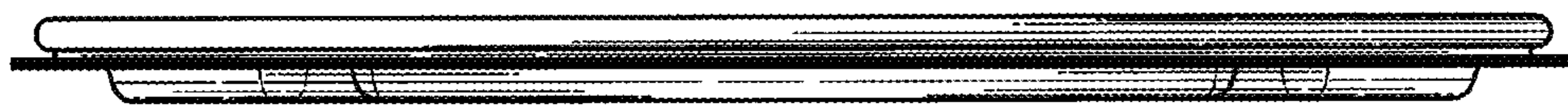


FIG. 5