



US00D766108S

(12) **United States Design Patent** (10) **Patent No.:** **US D766,108 S**
Brown et al. (45) **Date of Patent:** **** Sep. 13, 2016**

(54) **PACKAGING**

(71) Applicant: **KRAFT FOODS R & D, INC.**,
Deerfield, IL (US)
(72) Inventors: **Rosie Brown**, Birmingham (GB);
Julian Sellers, Birmingham (GB); **Glen
Dutton**, Huddersfield (GB)
(73) Assignee: **MODELEZ UK R & D LIMITED**,
Birmingham (GB)
(**) Term: **14 Years**
(21) Appl. No.: **29/507,528**
(22) Filed: **Oct. 28, 2014**

(30) **Foreign Application Priority Data**

Apr. 29, 2014 (EM) 2455501-0001
Apr. 29, 2014 (EM) 2455501-0002
Apr. 29, 2014 (EM) 2455501-0003

(51) **LOC (10) Cl.** **09-01**

(52) **U.S. Cl.**
USPC **D9/721**

(58) **Field of Classification Search**

USPC D9/414, 416, 418, 420, 423, 424, 425,
D9/428, 430, 432, 433, 715, 720, 721,
D9/722; D7/305, 538, 542, 586, 601, 602;
206/45.21, 45.25, 45.29, 216, 217,
206/273, 526, 540, 575, 576, 778, 779;
426/106, 108, 119, 129; 229/100,
229/120.02, 120.29, 126, 129.1, 132, 138,
229/141, 155, 162.1, 162.5, 185.1
CPC B65D 5/4204; B65D 5/0227; B65D 5/10;
B65D 2571/0066; B65D 77/24; B65D 5/524;
B65D 2571/00141; B65D 5/42; B65D 77/02;
B65D 77/003; B65D 81/36; B65D 1/36;
B65D 5/02; B65D 2543/00194; B65D 25/54;
B65D 5/2033; B65D 5/48034; B65D 75/322;
B65D 75/522; B65D 81/113; B65D 71/16;
B65D 2571/0029; B65D 5/48; B65D
5/48048; B65D 5/503; B65D 5/48028;
Y10T 428/1324; Y10T 428/1303

See application file for complete search history.

(56) **References Cited**

U.S. PATENT DOCUMENTS

1,824,491 A * 9/1931 Molins B65D 5/838
206/256
1,837,602 A * 12/1931 Walter B65D 5/2057
229/155
1,842,727 A * 1/1932 Molins B65D 5/5023
206/254
1,875,196 A * 8/1932 Molins B65D 85/1063
206/273
1,883,852 A * 10/1932 Medoff B65D 75/14
132/286
D388,951 S * 1/1998 Mori D3/201
D519,386 S * 4/2006 Aldridge D9/756
D645,735 S * 9/2011 Clark D9/423
D685,650 S * 7/2013 Pipes D9/721

(Continued)

Primary Examiner — Derrick Holland

Assistant Examiner — Lauren Calve

(74) *Attorney, Agent, or Firm* — Cantor Colburn LLP

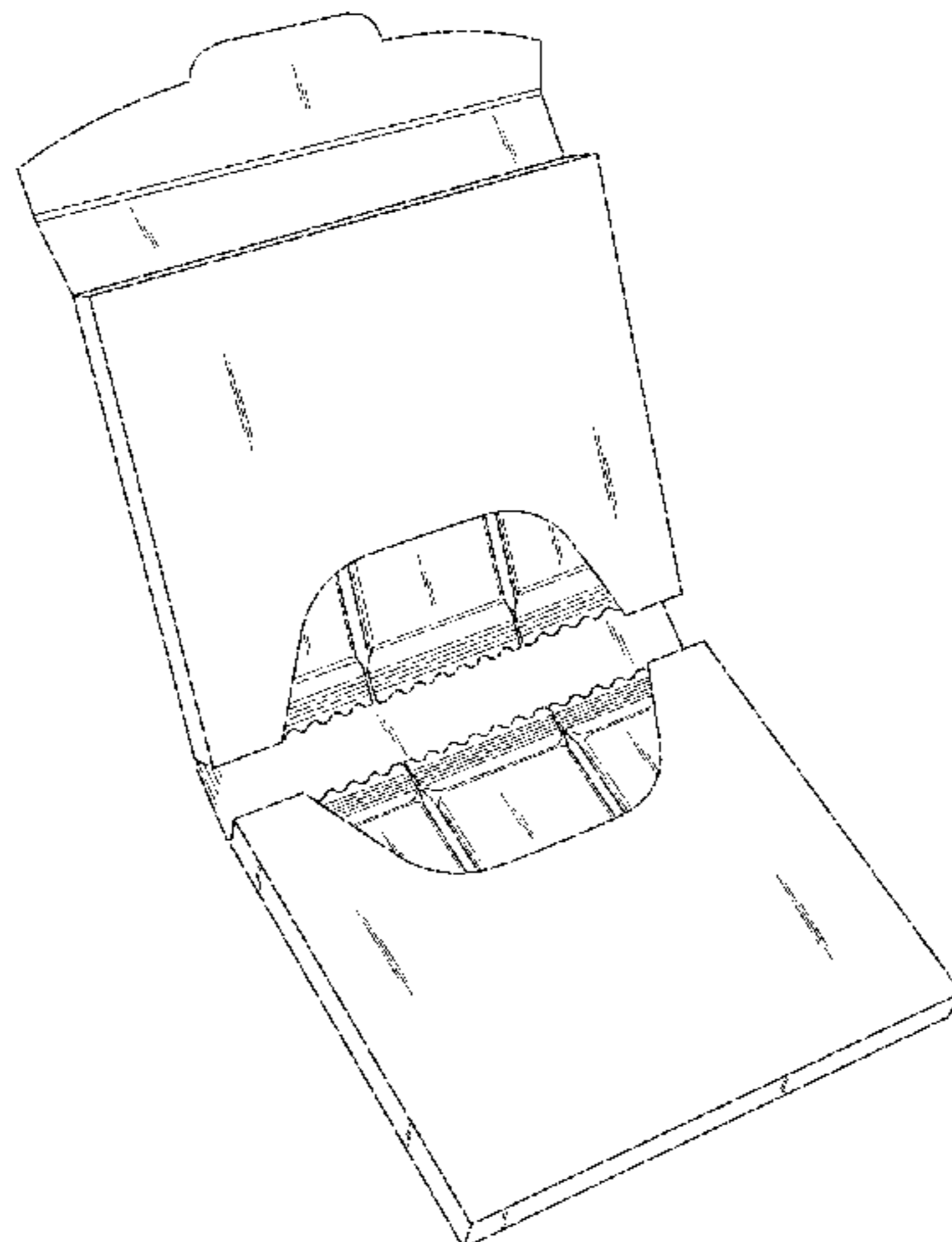
(57) **CLAIM**

The ornamental design for packaging, as shown and described.

DESCRIPTION

FIG. 1 is a perspective view of packaging, showing our new design;
FIG. 2 is a front elevation view thereof;
FIG. 3 is a rear elevation view thereof;
FIG. 4 is a side elevation view thereof, the opposite side view being a mirror image thereof;
FIG. 5 is a top plan view thereof;
FIG. 6 is a bottom plan view thereof;
FIG. 7 is a perspective view thereof, as shown in an alternate configuration; and,
FIG. 8 is a second perspective view thereof.
The broken lines shown represent unclaimed subject matter and form no part of the claimed design.

1 Claim, 7 Drawing Sheets



US D766,108 S

Page 2

(56)

References Cited

U.S. PATENT DOCUMENTS

8,534,538	B2 *	9/2013	Fitzwater	B65D 5/0254 229/120.08	2005/0269233	A1 *	12/2005	Aldridge	B65D 5/5495 206/472
8,691,305	B2 *	4/2014	Markovic	B65D 5/2057 229/120.09	2007/0199849	A1 *	8/2007	Aldridge	B65D 77/02 206/460
8,763,890	B2 *	7/2014	Clark	B32B 3/085 206/813	2008/0142392	A1 *	6/2008	Aldridge	B65D 5/2057 206/460
8,950,658	B2 *	2/2015	Aldridge	B65D 5/18 206/38	2010/0035933	A1 *	2/2010	Mitchell	A61K 31/00 514/338
2005/0252809	A1 *	11/2005	Aldridge	B65D 5/009 206/449	2010/0297309	A1 *	11/2010	Onogi	B65D 5/2057 426/108
					2012/0241512	A1 *	9/2012	Markovic	B65D 5/5445 229/120.02

* cited by examiner

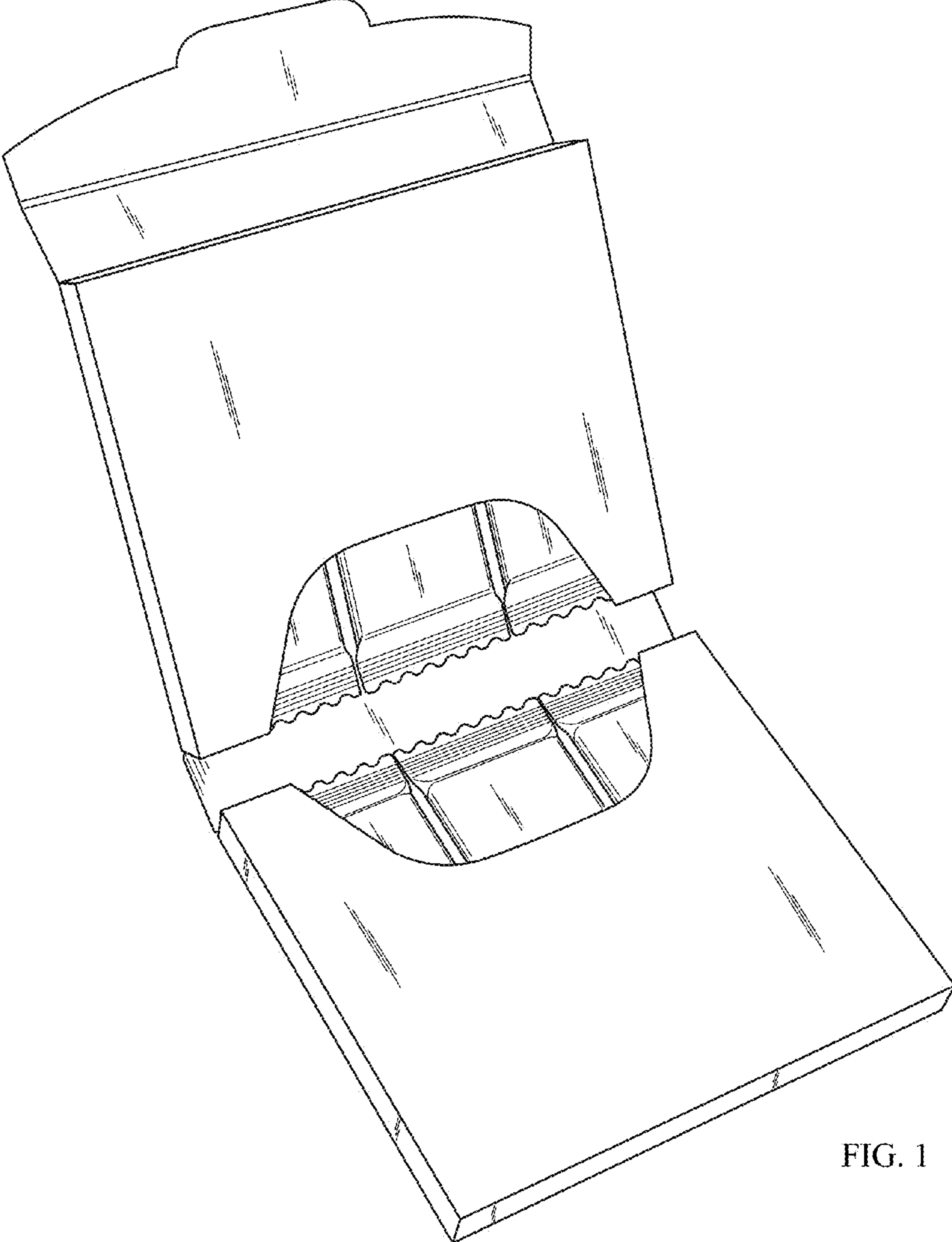


FIG. 1

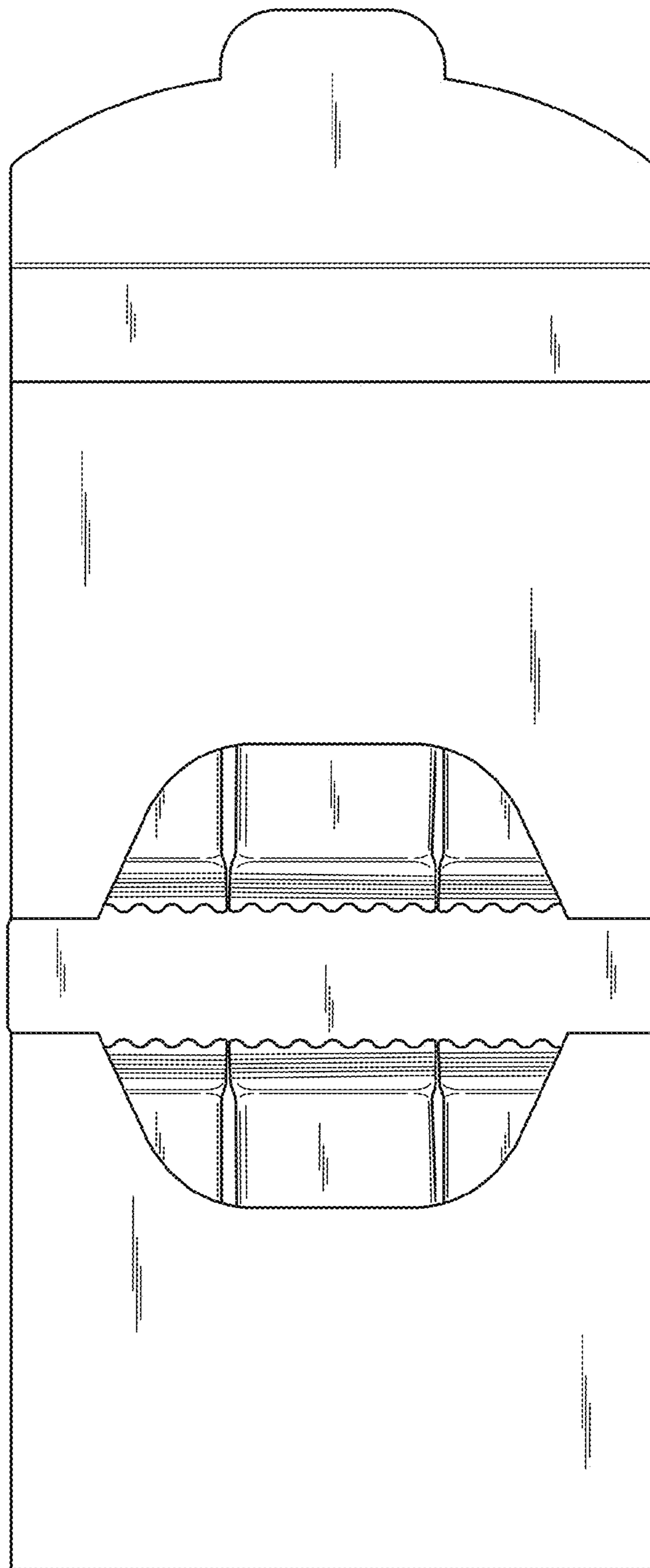


FIG. 2

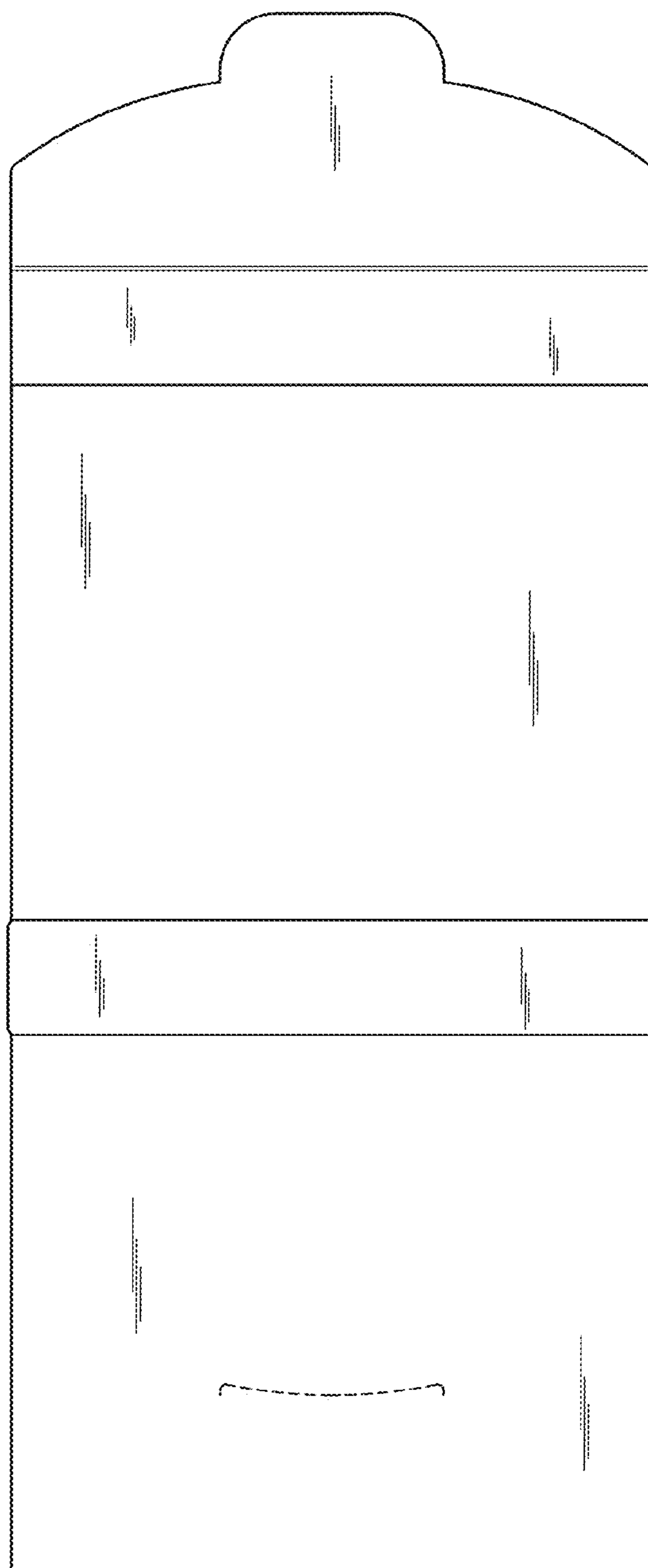


FIG. 3

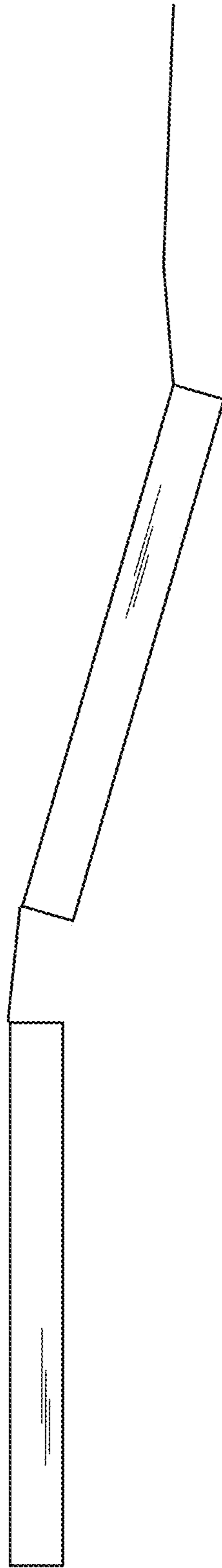


FIG. 4

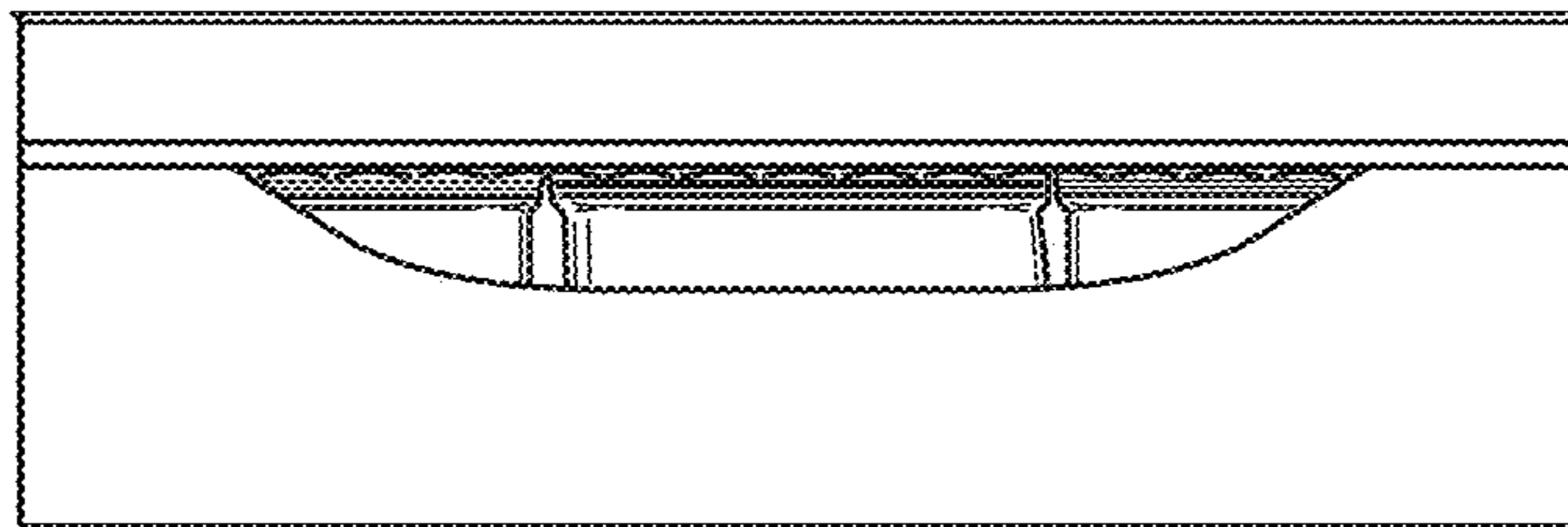


FIG. 5

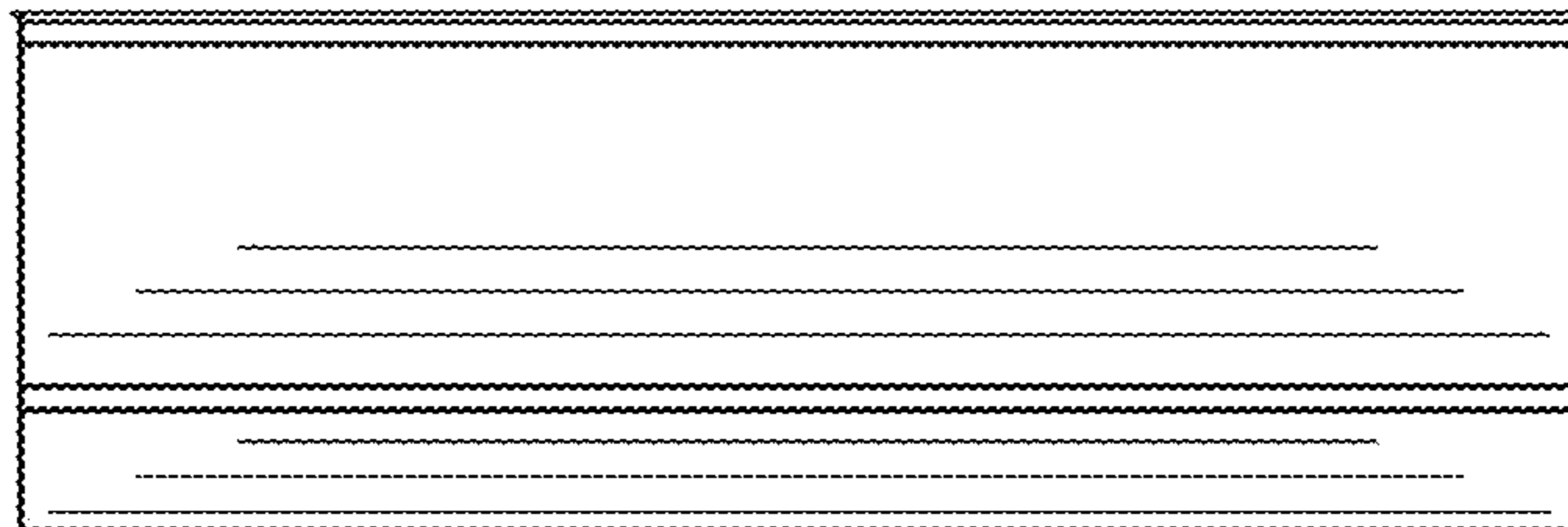


FIG. 6

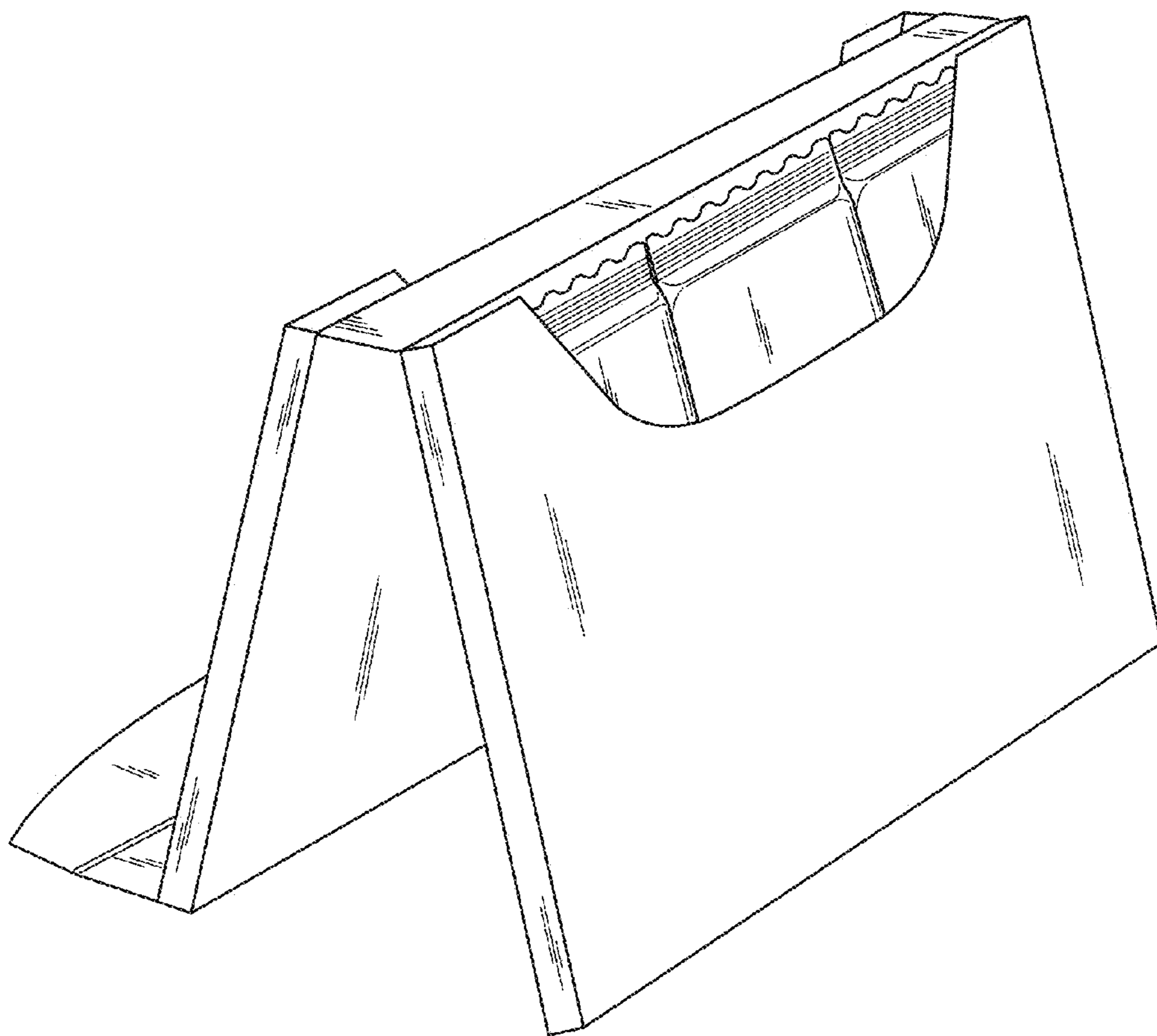


FIG. 7

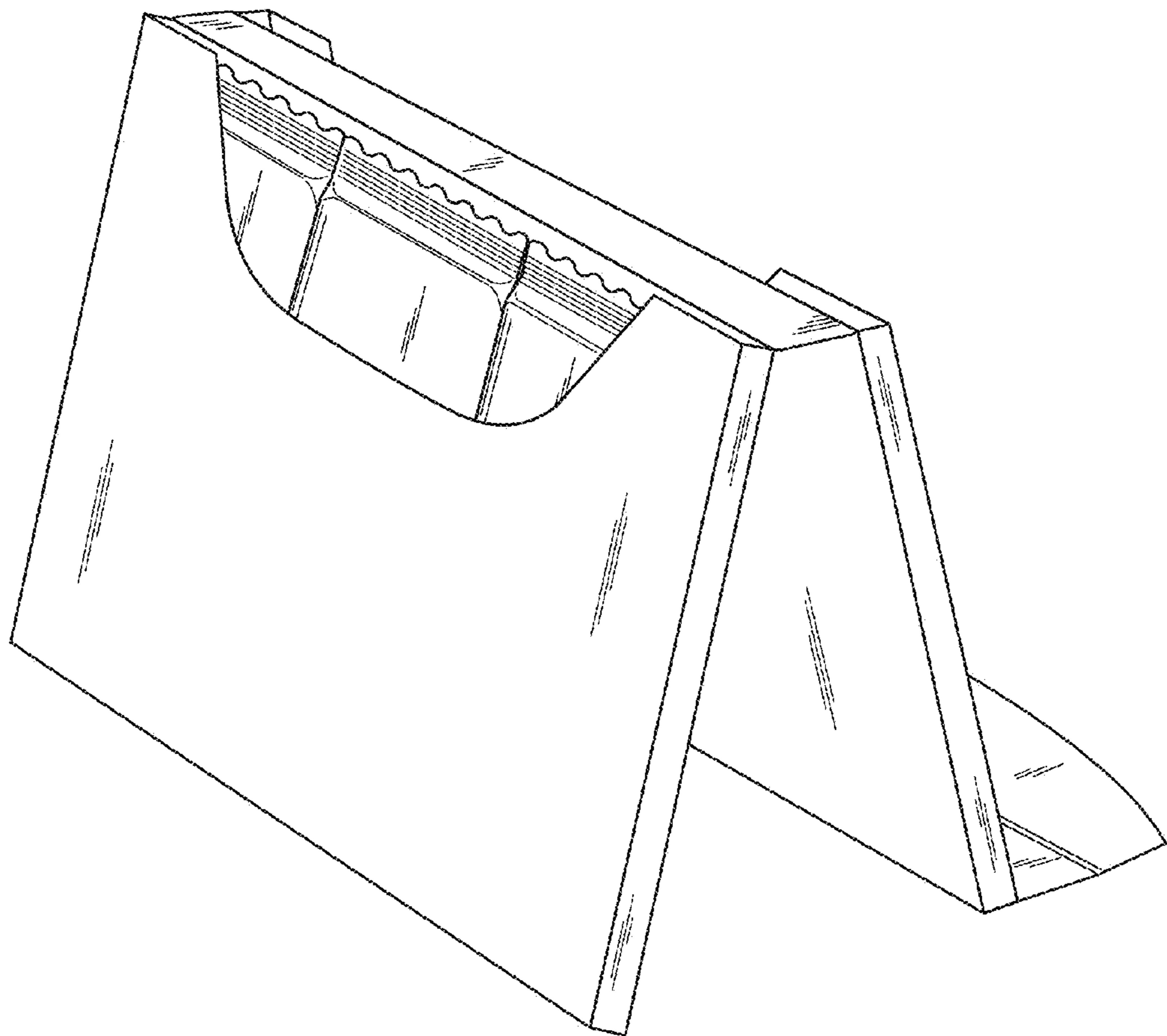


FIG. 8