

US00D766105S

(12) **United States Design Patent**
Muller et al.

(10) **Patent No.:** **US D766,105 S**

(45) **Date of Patent:** **** Sep. 13, 2016**

(54) **COLLECTION BAG**

(71) Applicant: **STARBUCKS CORPORATION**,
Seattle, WA (US)

(72) Inventors: **Elisabeth G. M. Coolen Muller**,
Seattle, WA (US); **Andre Y. Kim**,
Seattle, WA (US)

(73) Assignee: **Starbucks Corporation**, Seattle, WA
(US)

(**) Term: **15 Years**

(21) Appl. No.: **29/540,120**

(22) Filed: **Sep. 21, 2015**

(51) **LOC (10) Cl.** **09-05**

(52) **U.S. Cl.**
USPC **D9/703**

(58) **Field of Classification Search**

USPC D9/702-714, 720-722; 383/4, 6, 10,
383/29, 33, 38, 70-71, 77, 86, 98-99, 104,
383/127, 120, 108, 119, 14, 9, 62, 68;
222/92, 107; 229/923, 87.01, 87.19,
229/87.18, 902, 906, 103.2, 114, 106;
D7/387, 601, 60; 40/124.06, 631;
D3/300, 303, 318, 232; 206/457, 423;
248/97; 220/495.03, 495.1, 495.08,
220/908; D11/155, 143-144
CPC B65D 81/00; B65D 81/36; B65D 85/60;
B65D 85/00; B65D 5/4204; B65D 5/4208;
B65D 5/4237; B65D 31/00; B65D 31/02;
B65D 31/06; B65D 31/10; B65D 33/00;
B65D 33/06; B65D 33/14

See application file for complete search history.

(56) **References Cited**

U.S. PATENT DOCUMENTS

4,848,930 A * 7/1989 Williams B65D 33/065
383/10
D497,541 S * 10/2004 Clark D9/703

D498,667 S * 11/2004 Clark D9/703
D544,369 S * 6/2007 Liu D9/704
2014/0270578 A1 * 9/2014 Ebner B31B 41/00
383/10

* cited by examiner

Primary Examiner — Abraham Bahta

(74) *Attorney, Agent, or Firm* — Knobbe Martens Olson &
Bear LLP

(57) **CLAIM**

The ornamental design for a collection bag, as shown and
described.

DESCRIPTION

FIG. 1 is a top, front and left side perspective view of a first
embodiment of the collection bag hanging from a dispenser
showing our new design;

FIG. 2 is a rear, bottom, and right side perspective view
thereof;

FIG. 3 is a front view thereof;

FIG. 4 is a rear view thereof;

FIG. 5 is a right side view thereof;

FIG. 6 is a left side view thereof;

FIG. 7 is a top view thereof;

FIG. 8 is a bottom view thereof;

FIG. 9 is a top and front perspective view of the collection
bag shown when filled;

FIG. 10 is a top, front and left side perspective view of a
second embodiment of the collection bag;

FIG. 11 is a rear, bottom, and right side perspective view
thereof;

FIG. 12 is a front view thereof;

FIG. 13 is a rear view thereof;

FIG. 14 is a right side view thereof;

FIG. 15 is a left side view thereof;

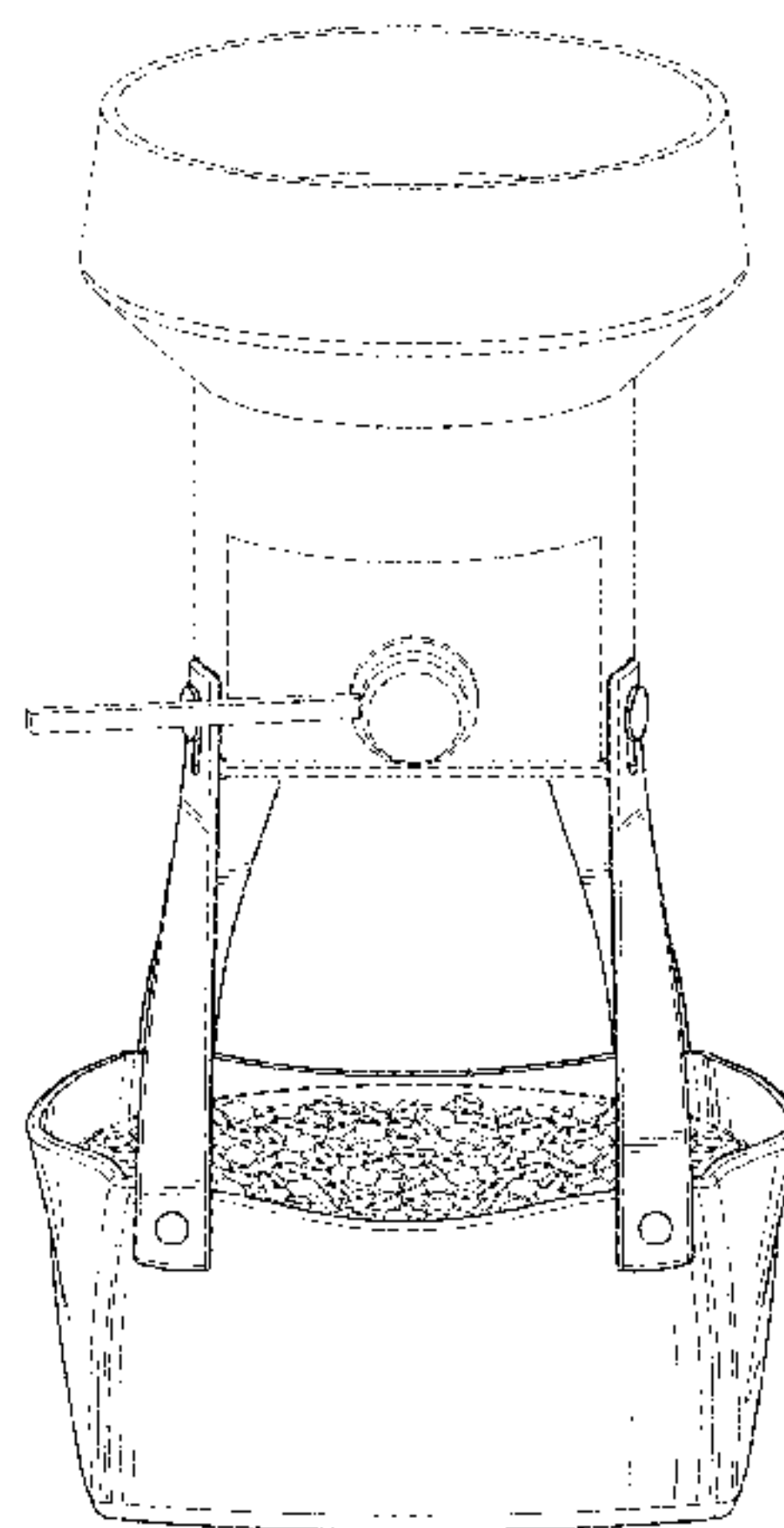
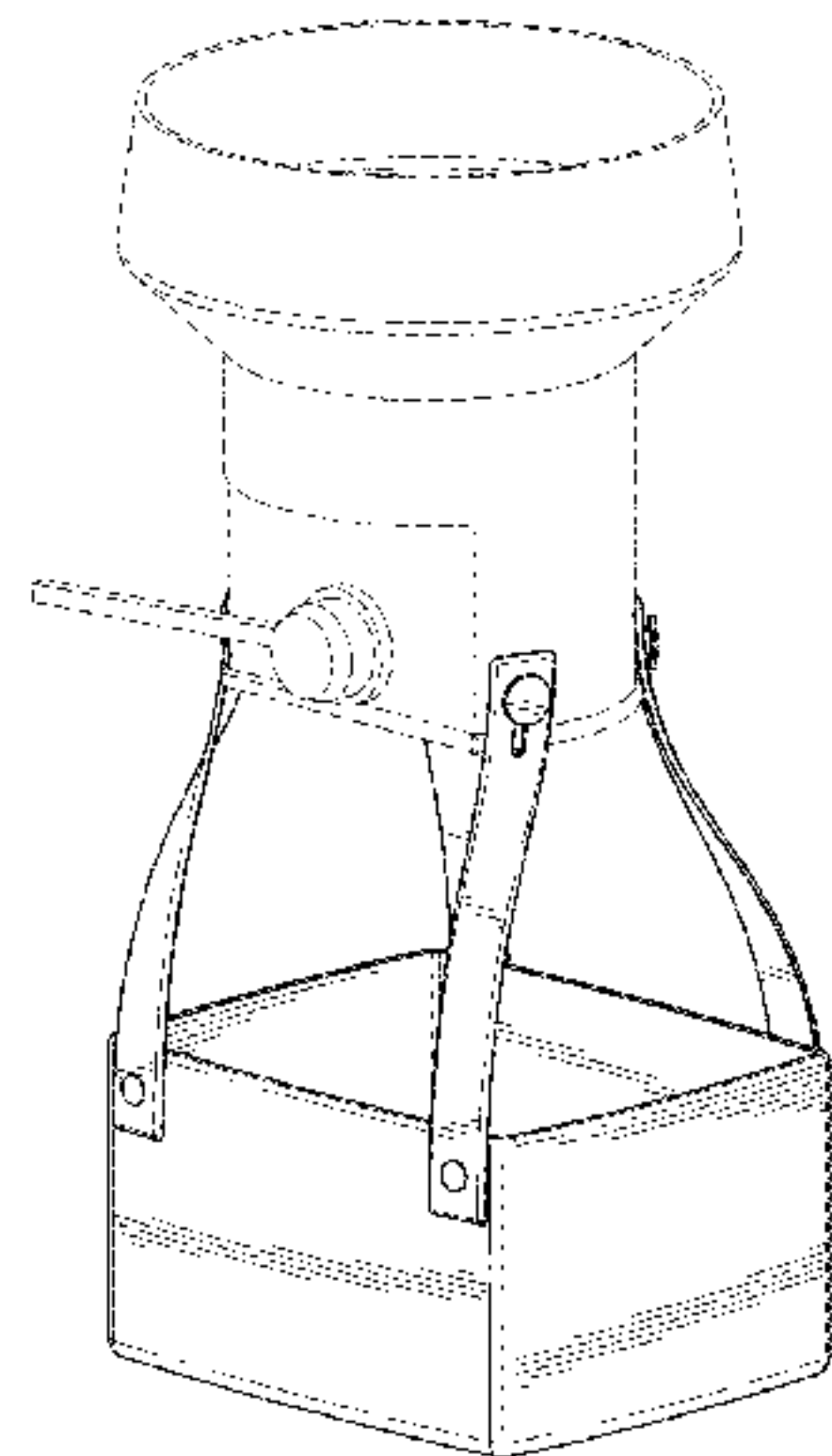
FIG. 16 is a top view thereof;

FIG. 17 is a bottom view thereof; and,

FIG. 18 is a top and front perspective view of the collection
bag shown when filled.

The broken lines shown in FIGS. 1-18 represent portions of
the collection bag or the environment that form no part of the
design.

1 Claim, 11 Drawing Sheets



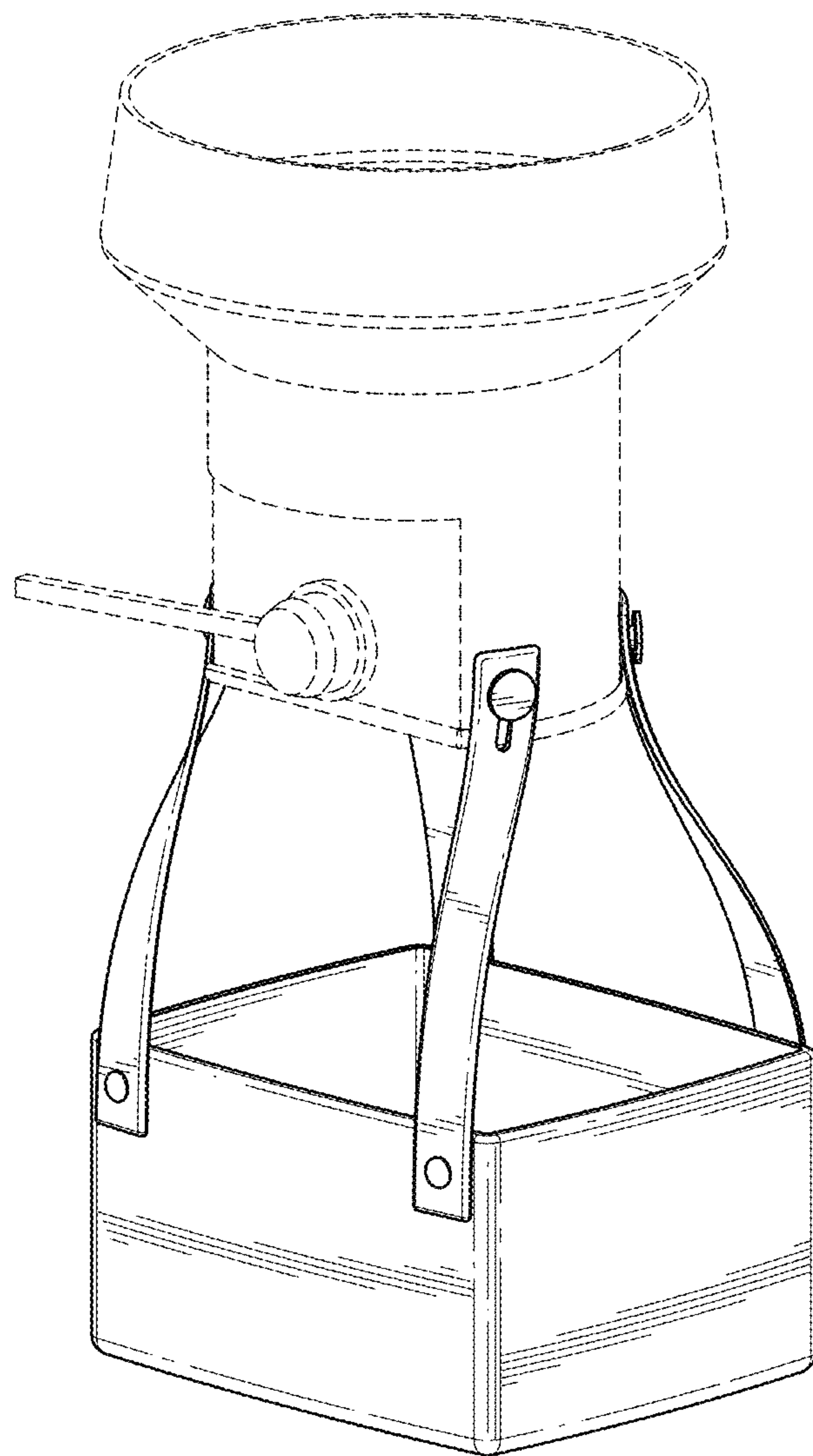


FIG. 1

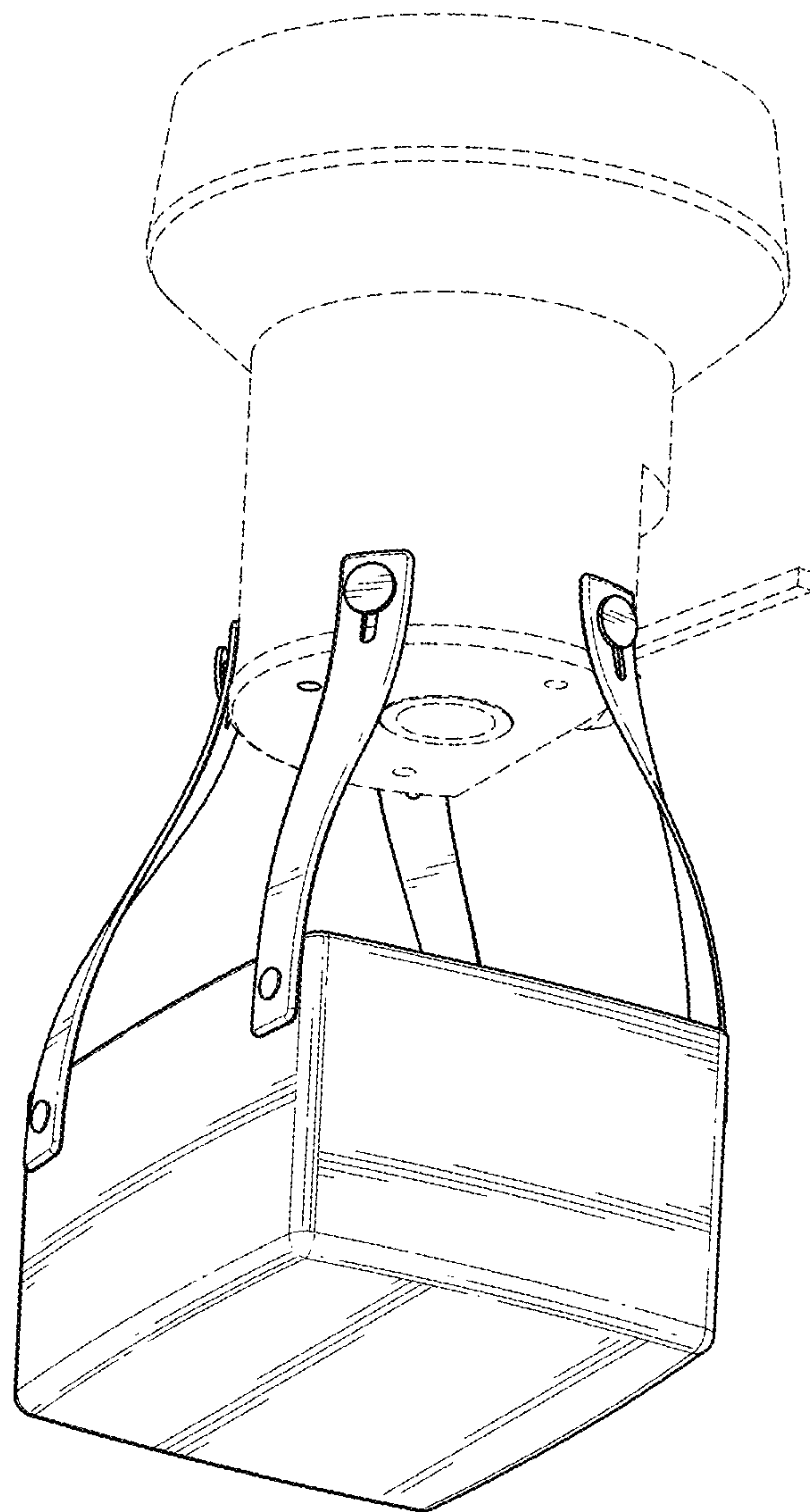


FIG. 2

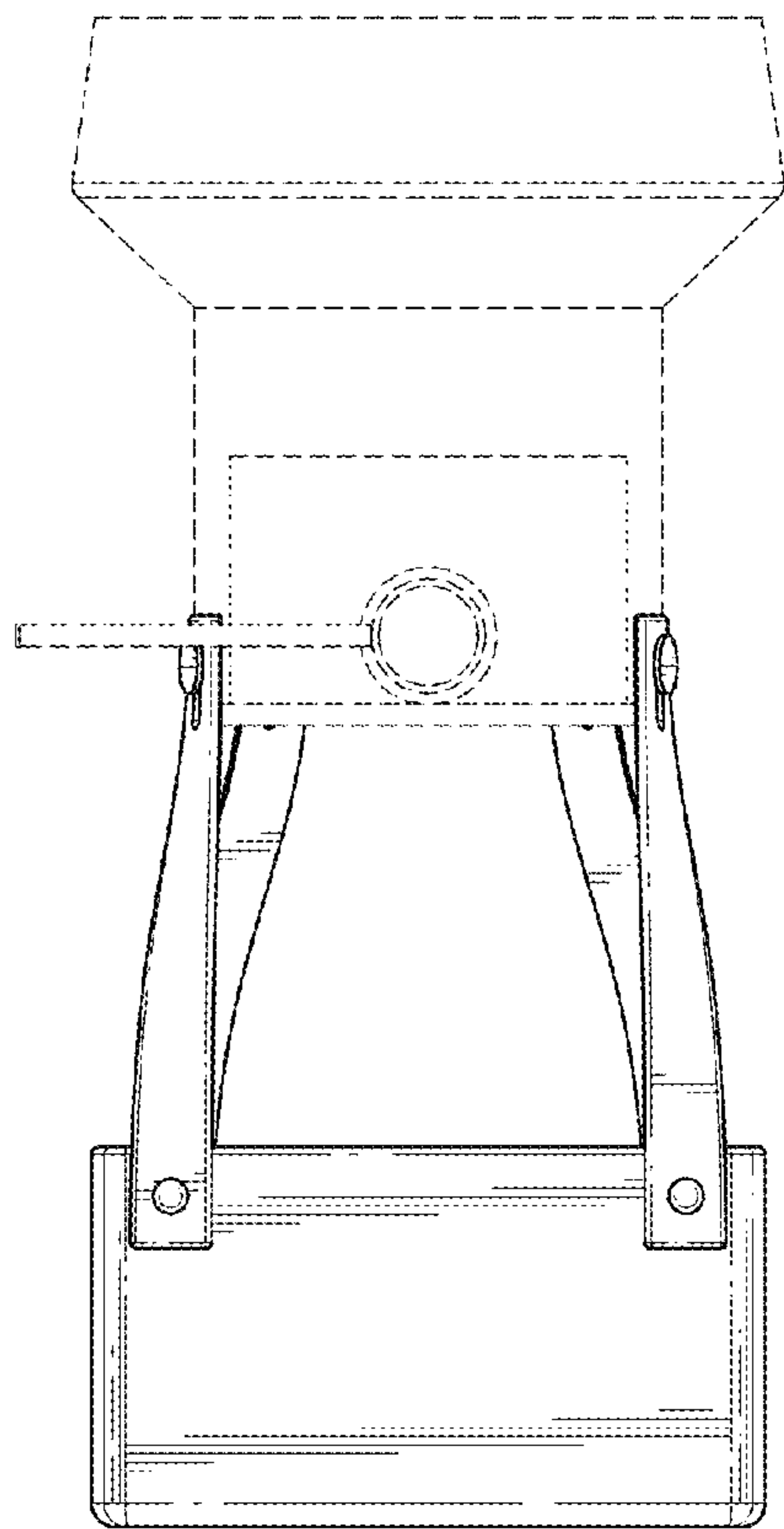


FIG. 3

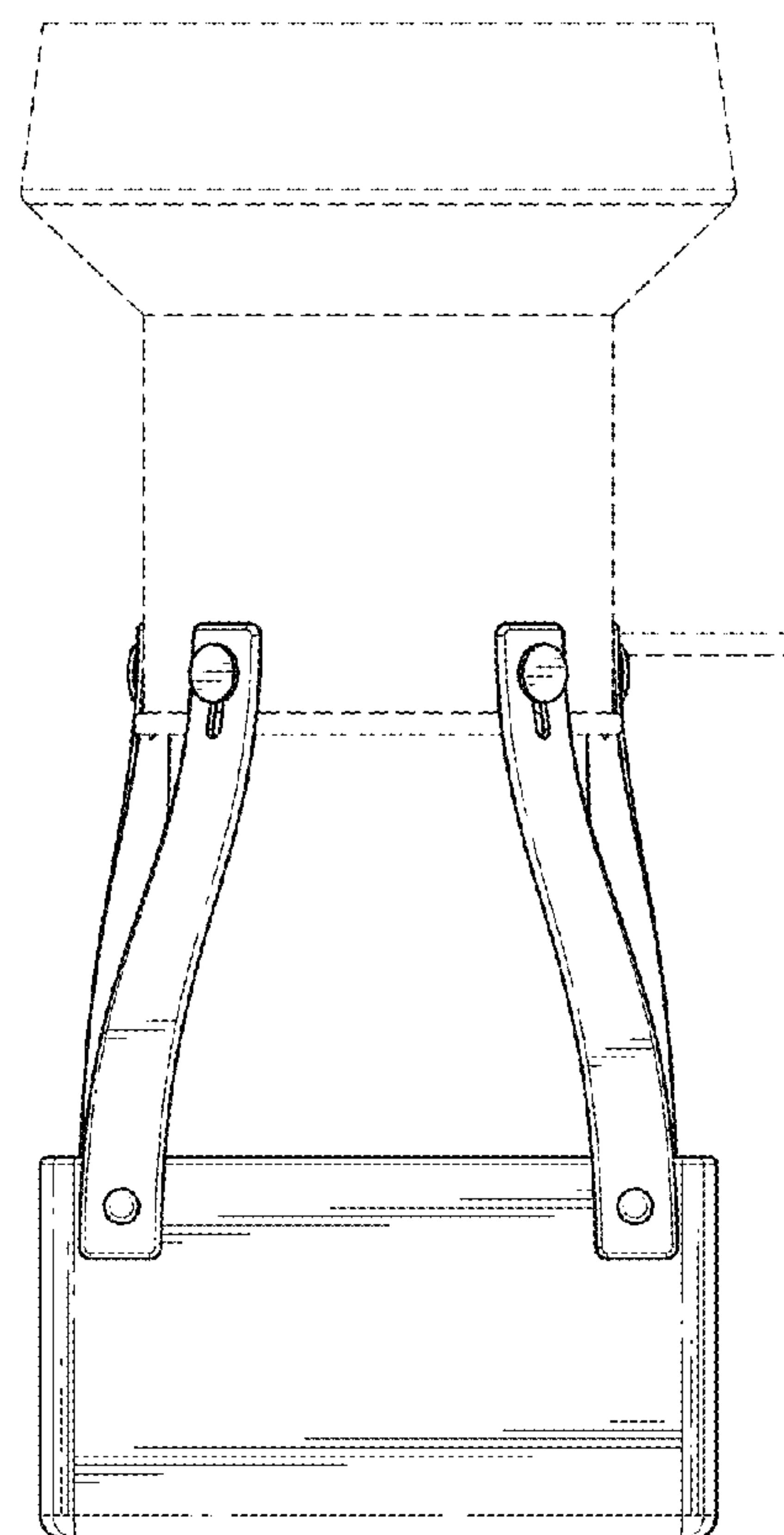


FIG. 4

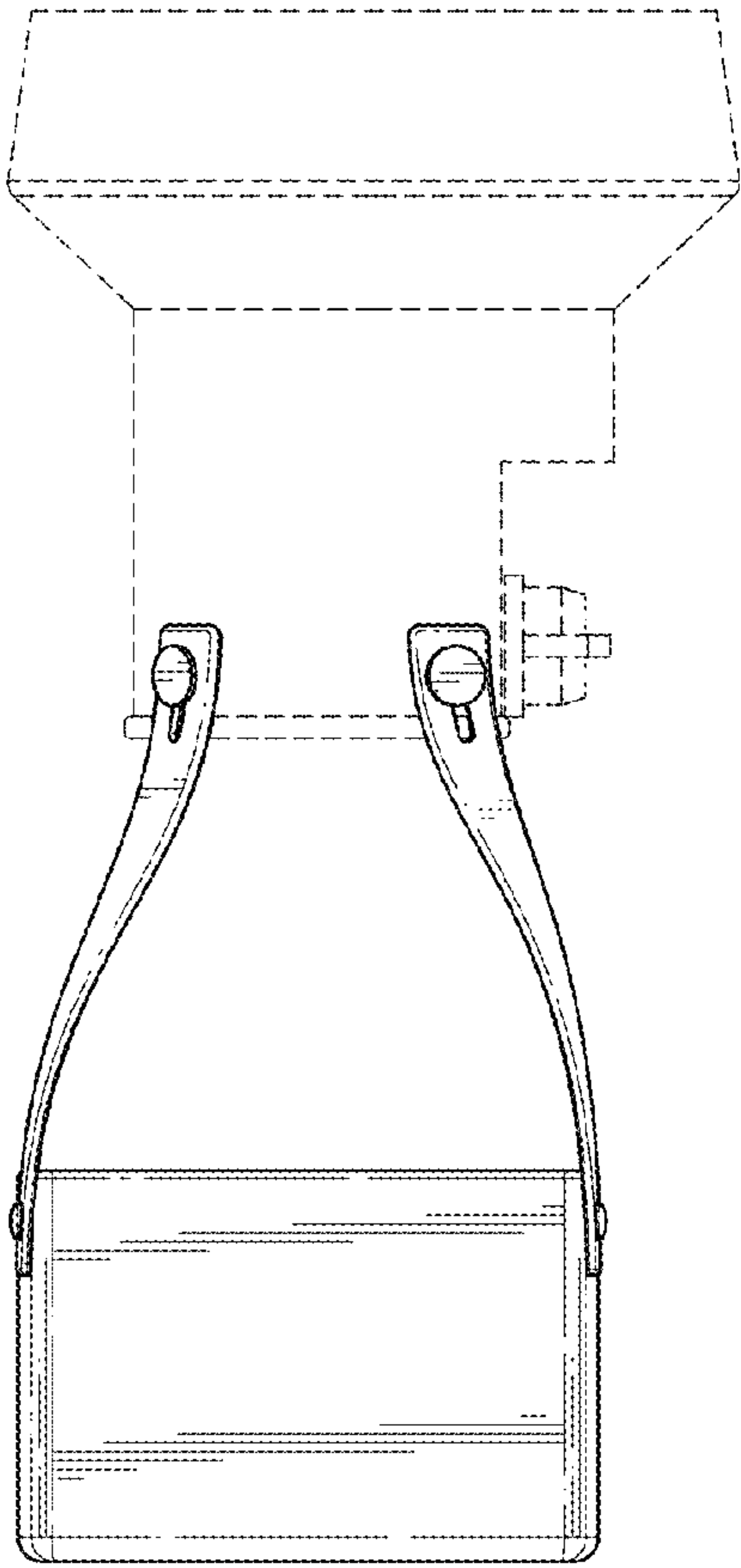


FIG. 5

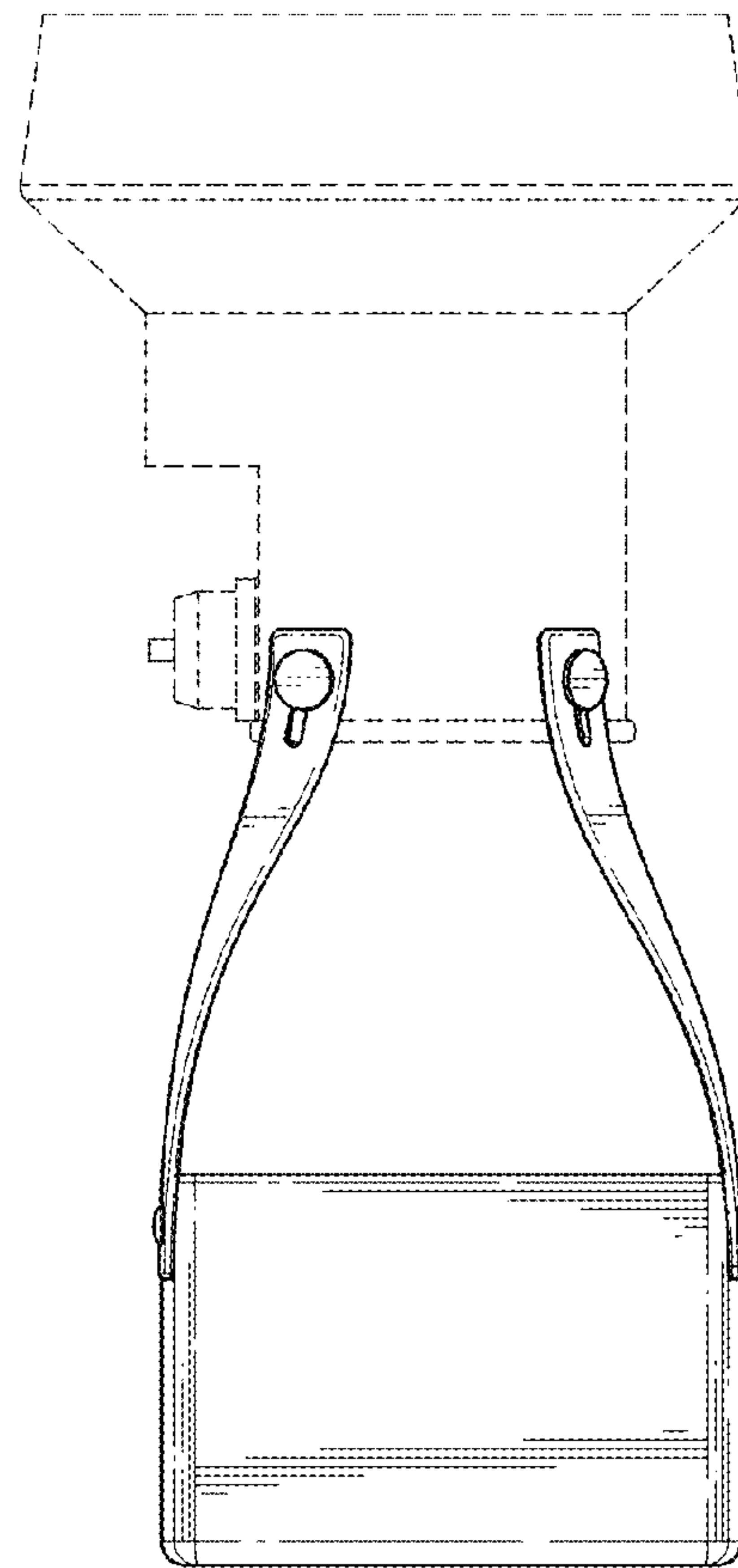


FIG. 6

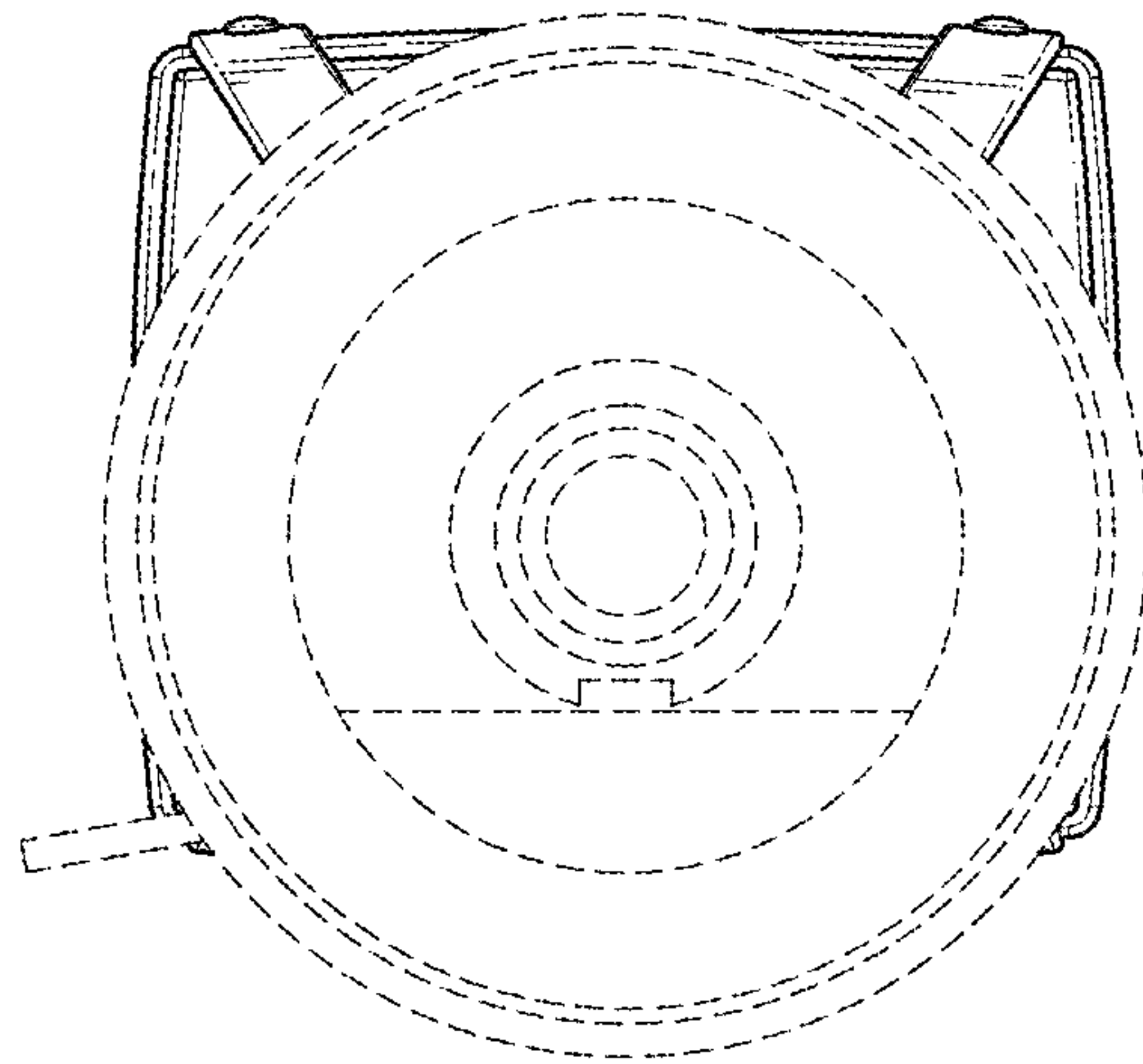


FIG. 7

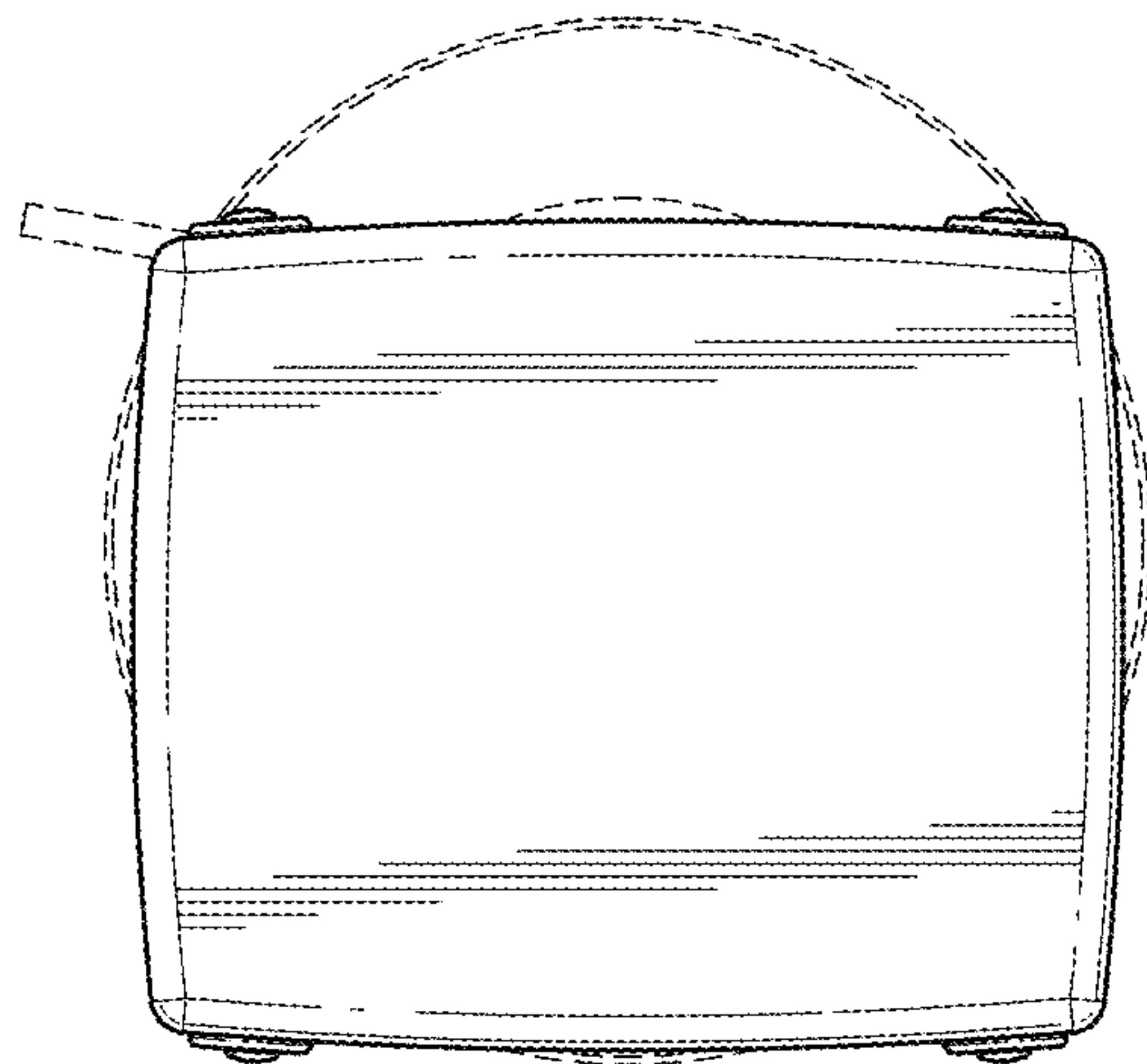


FIG. 8

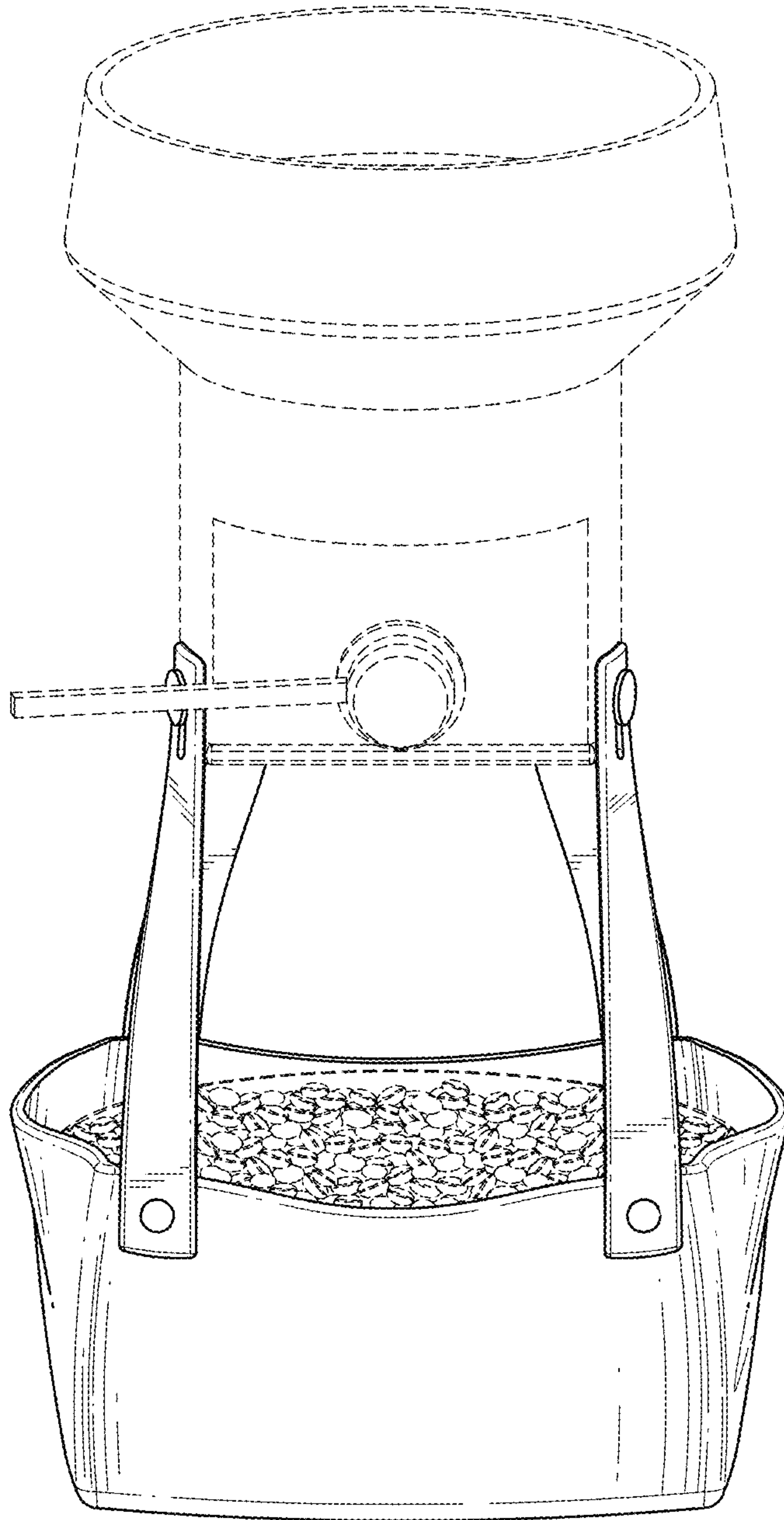


FIG. 9

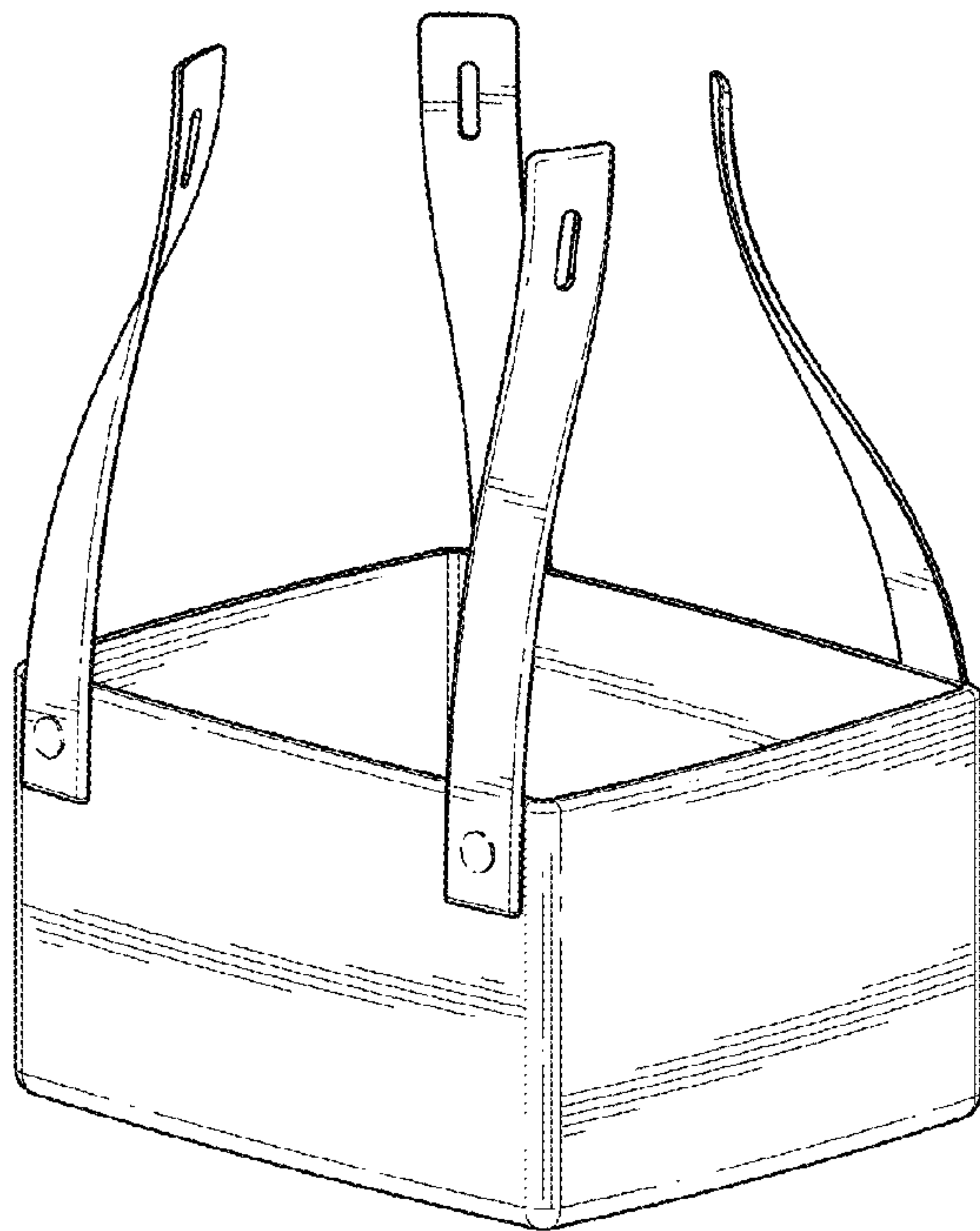


FIG. 10

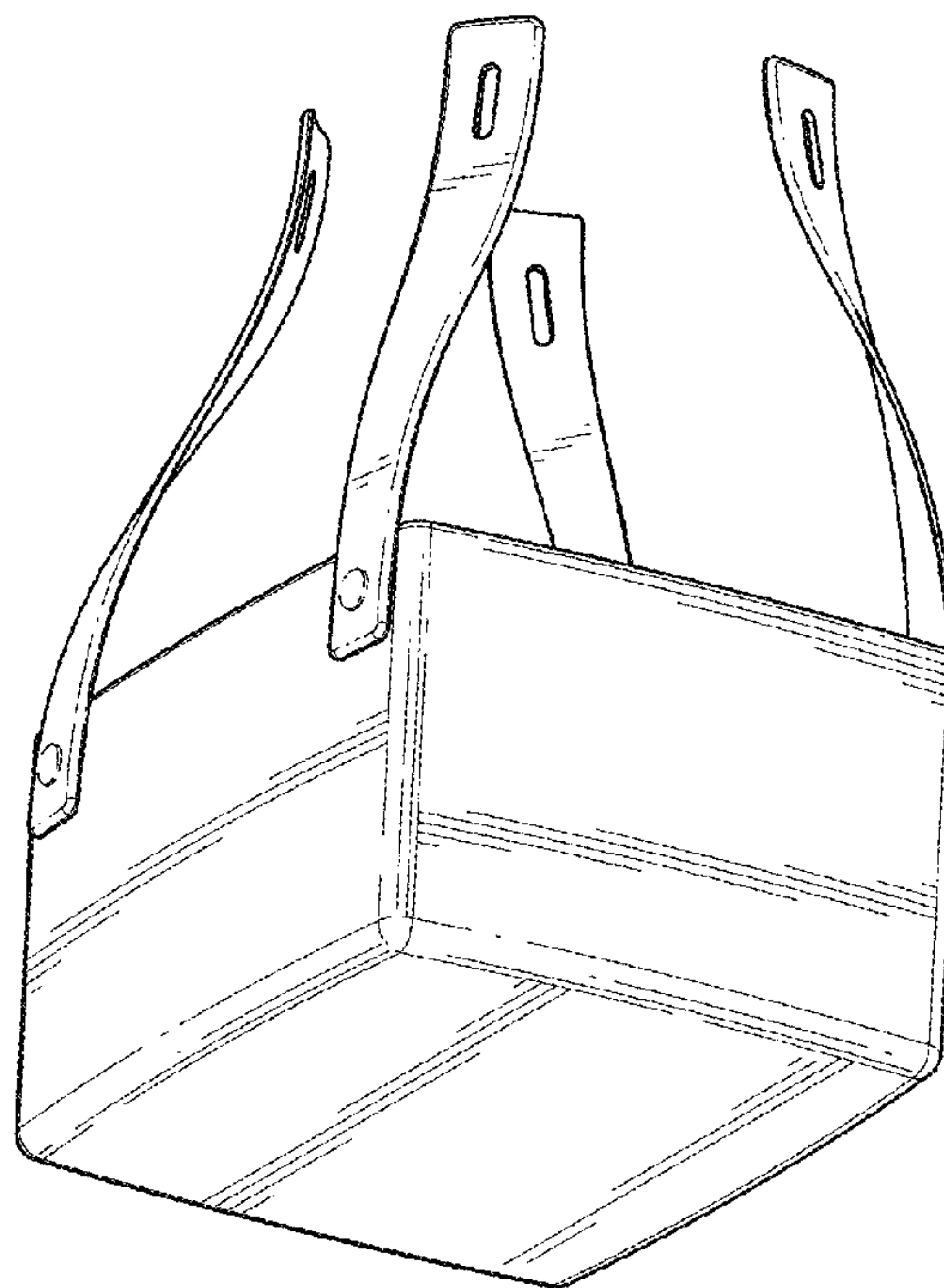


FIG. 11

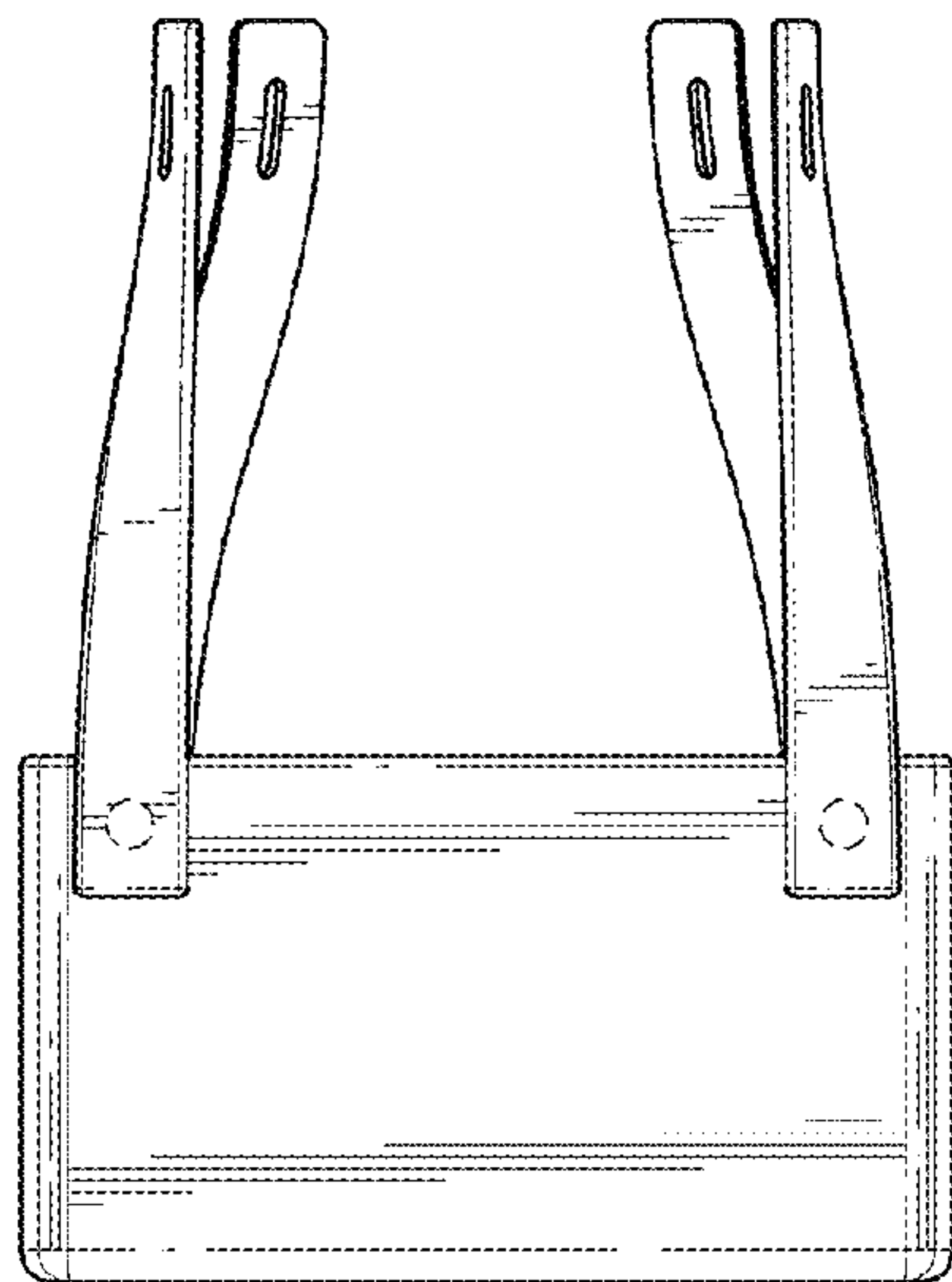


FIG. 12

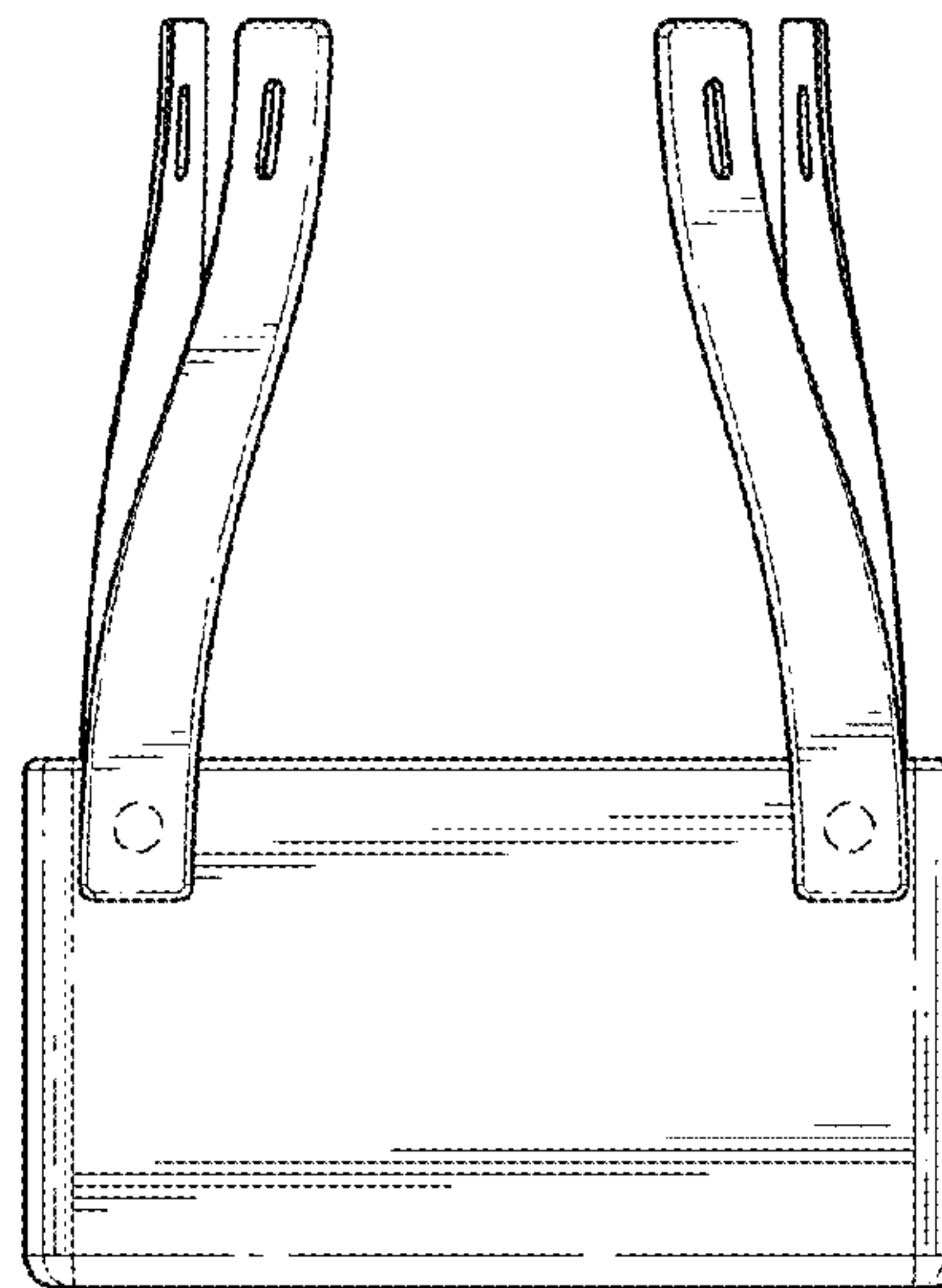


FIG. 13

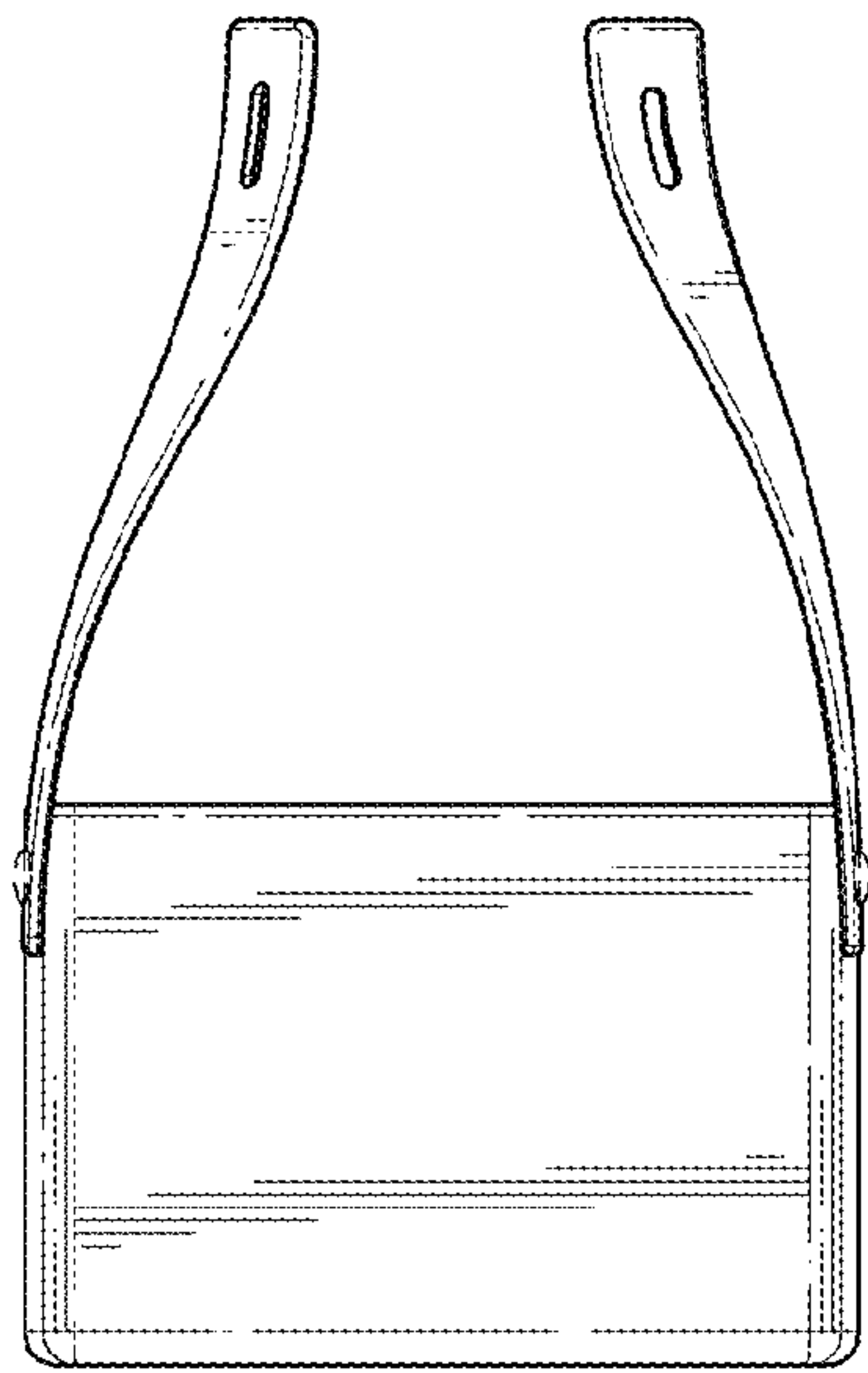


FIG. 14

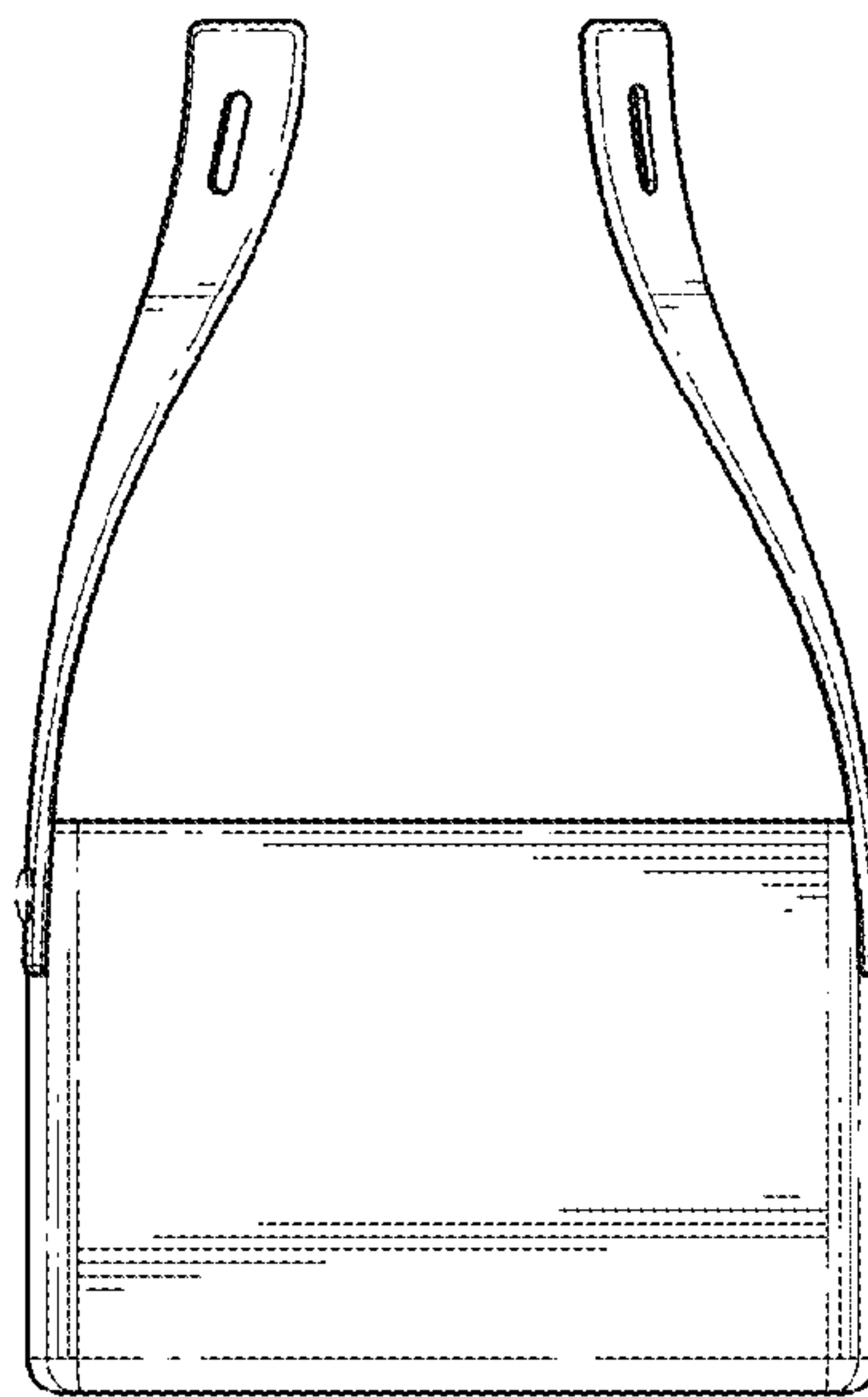


FIG. 15

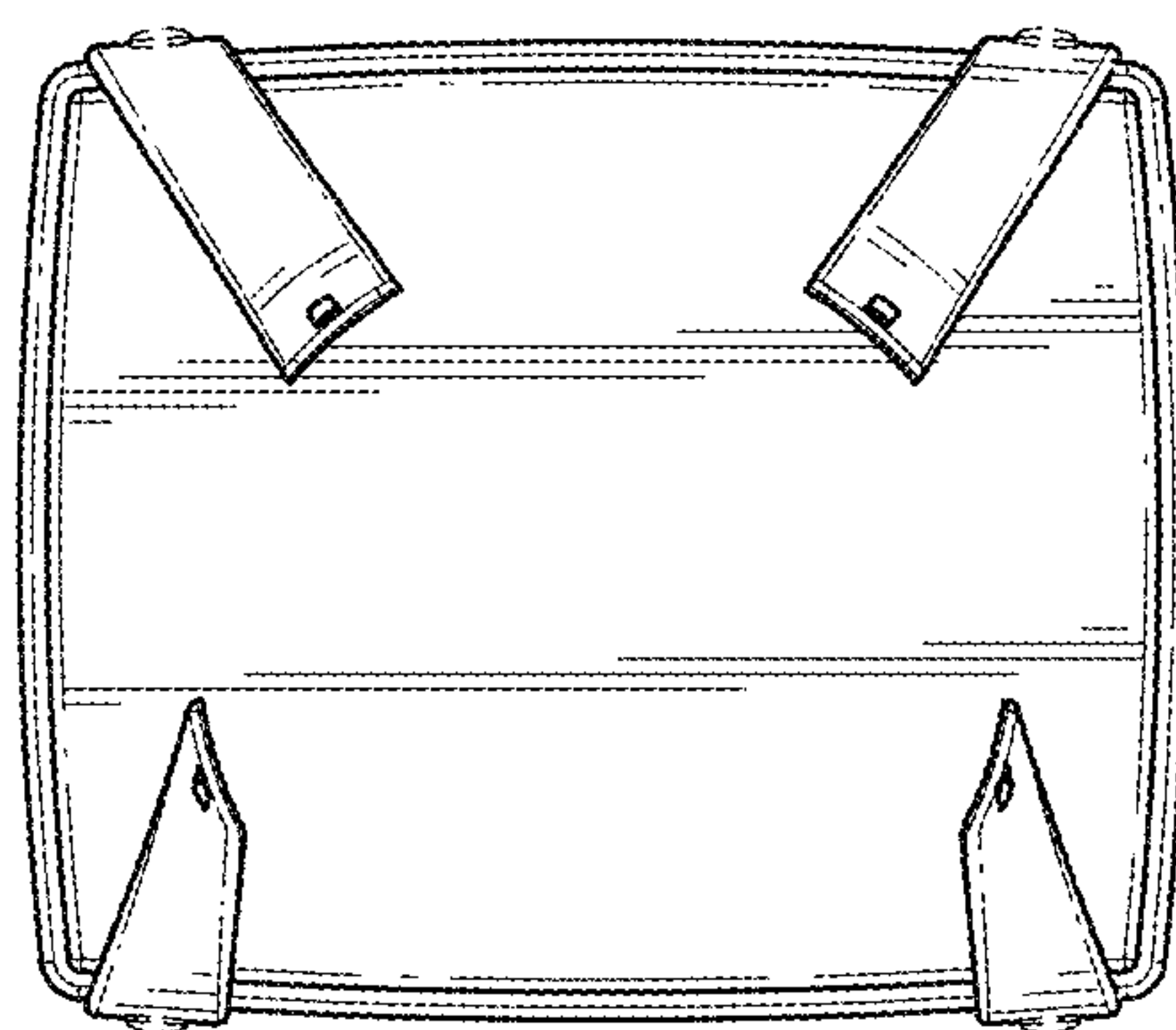


FIG. 16

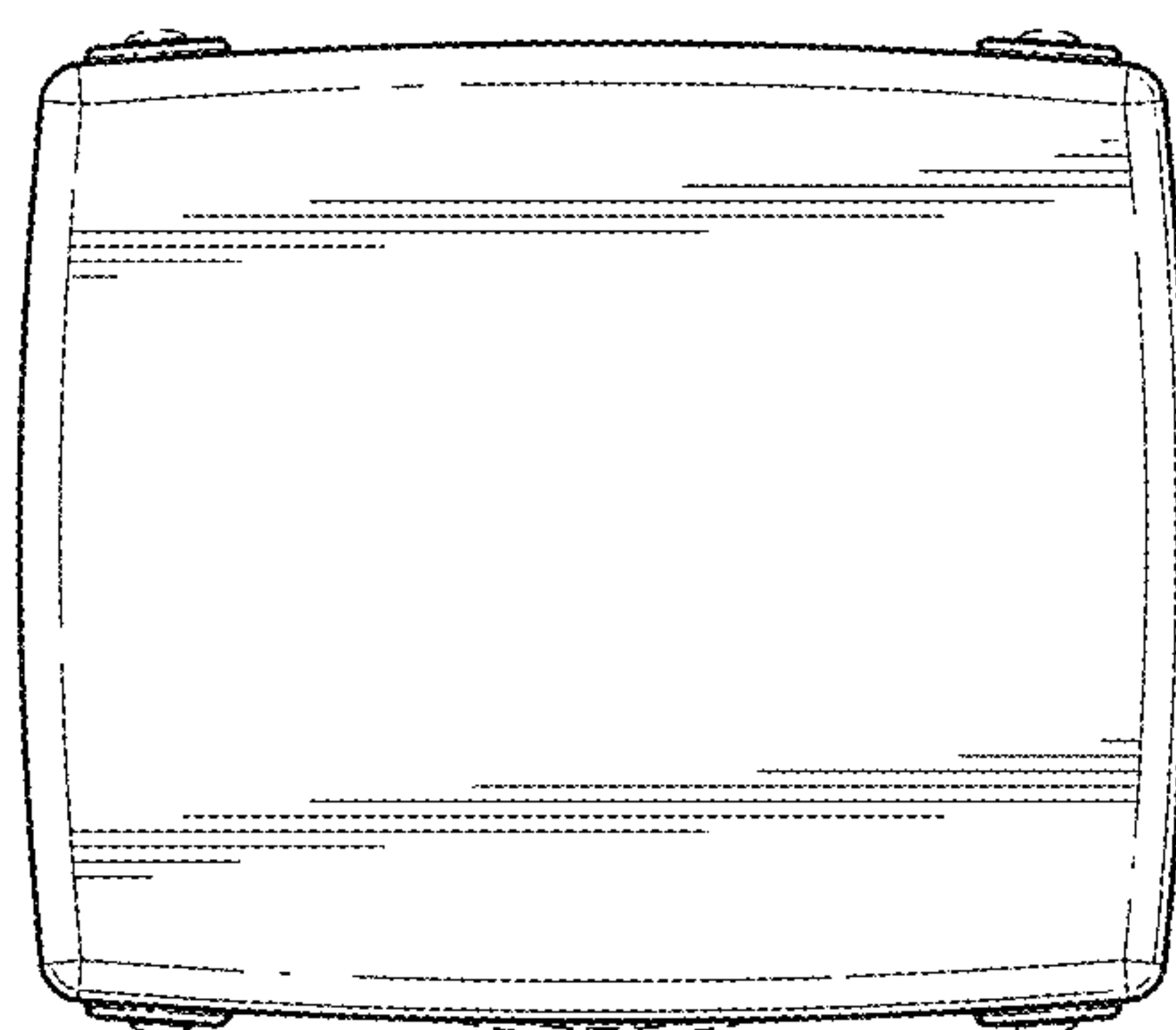


FIG. 17

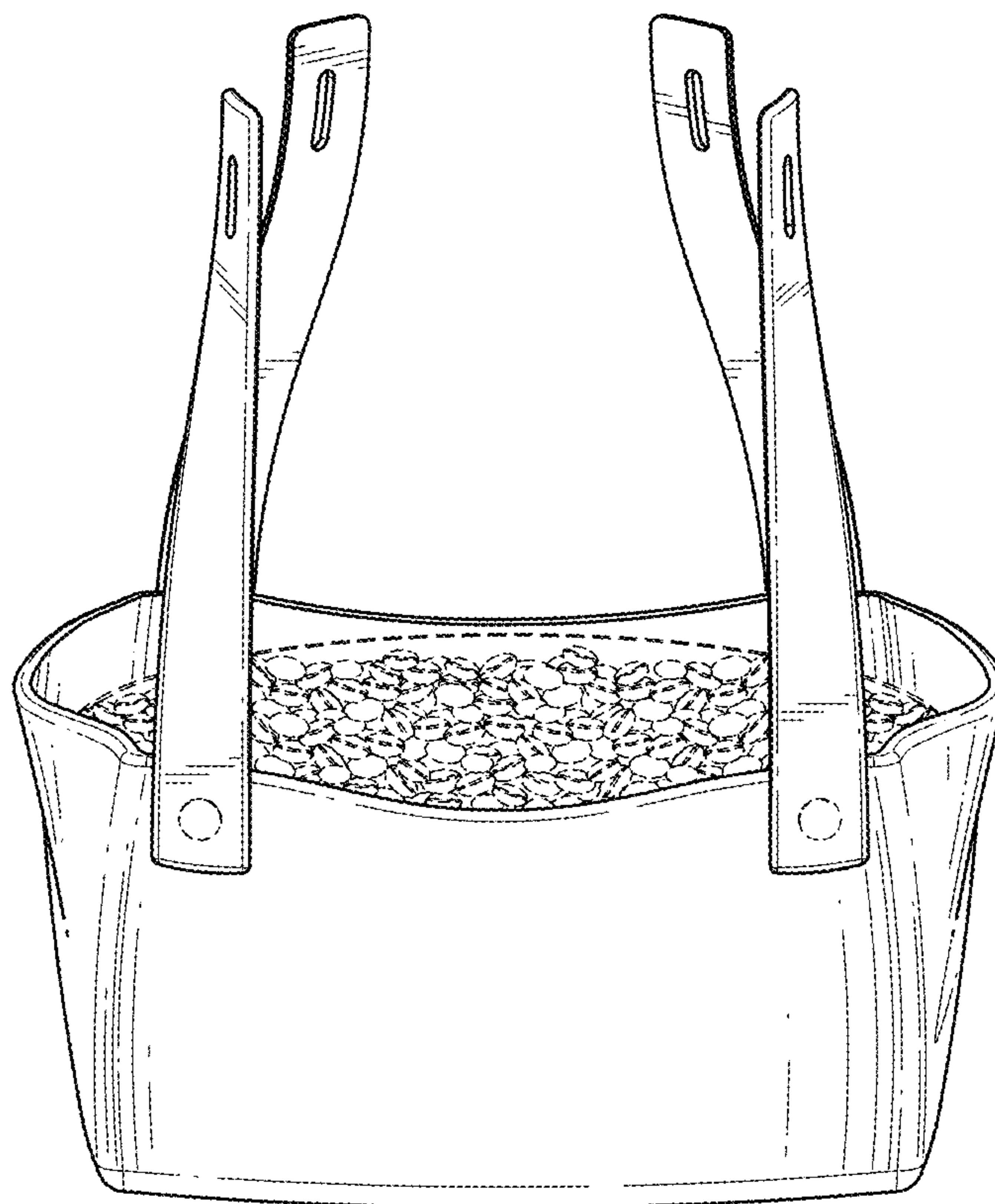


FIG. 18