

US00D766099S

(12) **United States Design Patent** (10) **Patent No.:** **US D766,099 S**  
**Kim** (45) **Date of Patent:** **\*\* Sep. 13, 2016**

(54) **TUBE FOR PACKING COSMETIC PRODUCTS**

1/24; B65D 1/34; B65D 1/38  
See application file for complete search history.

(71) Applicant: **YONWOO CO., LTD.**, Incheon (KR)

(56)

**References Cited**

(72) Inventor: **Ah-Young Kim**, Incheon (KR)

U.S. PATENT DOCUMENTS

(73) Assignee: **YONWOO CO., LTD.**, Incheon (KR)

D316,221 S *	4/1991	Dombroski	.....	D9/697
D479,122 S *	9/2003	Karim	.....	D9/697
D488,059 S *	4/2004	Mounier	.....	D9/697
D547,671 S *	7/2007	Penfold	.....	D9/697
D551,088 S *	9/2007	Dittmer	.....	D9/697
D587,128 S *	2/2009	Swanson	.....	D9/698
D626,860 S *	11/2010	Oates	.....	D9/699
D664,862 S *	8/2012	Smith	.....	D9/695
D675,538 S *	2/2013	Jeong	.....	D9/695
D736,082 S *	8/2015	Markle	.....	D9/434
D740,687 S *	10/2015	Son	.....	D9/697

(\*\*) Term: **15 Years**

(21) Appl. No.: **29/529,653**

(22) Filed: **Jun. 9, 2015**

(30) **Foreign Application Priority Data**

Dec. 10, 2014 (KR) ..... 30-2014-0060114

(51) **LOC (10) Cl.** ..... **09-03**

(52) **U.S. Cl.**  
USPC ..... **D9/697**

(58) **Field of Classification Search**

USPC ..... D9/702-714, 695-699, 435, 440, 521,  
D9/454, 544, 723-724, 499, 449, 727-728,  
D9/442, 447, 504; 222/92, 96, 107,  
222/527-529, 215, 491, 206, 212-213, 251,  
222/95, 536; 206/438, 822; 220/DIG. 7,  
220/669; 215/321, 381, 382, 316, 380;  
141/114-115; D28/91.1, 76-78, 82,  
D28/88; D4/114; D24/114; D7/601-602;  
D3/202, 205

CPC ..... B65D 35/00; B65D 35/28; B65D 35/02;  
B65D 35/04; B65D 35/08; B65D 35/36;  
B65D 35/38; B65D 5/00; B65D 5/001;  
B65D 5/0227; B65D 5/0254; B65D 5/0045;  
B65D 5/18; B65D 5/2033; B65D 5/38;  
B65D 1/32; B65D 1/00; B65D 1/22; B65D

\* cited by examiner

*Primary Examiner* — Abraham Bahta

(74) *Attorney, Agent, or Firm* — Marshall, Gerstein & Borun LLP

(57)

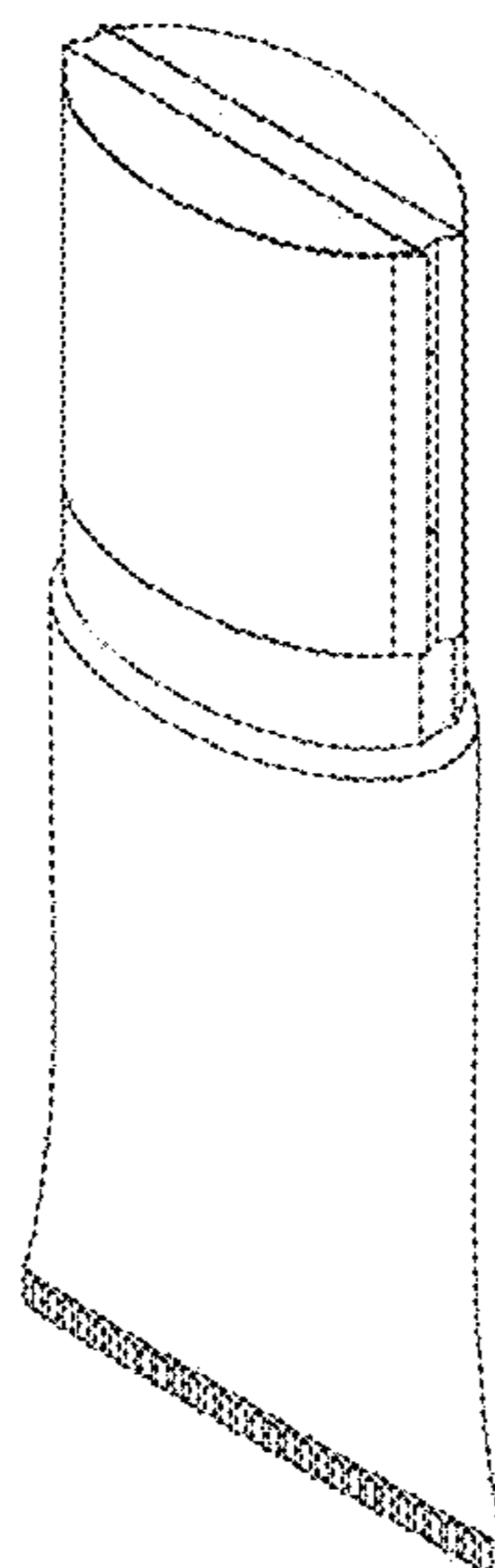
**CLAIM**

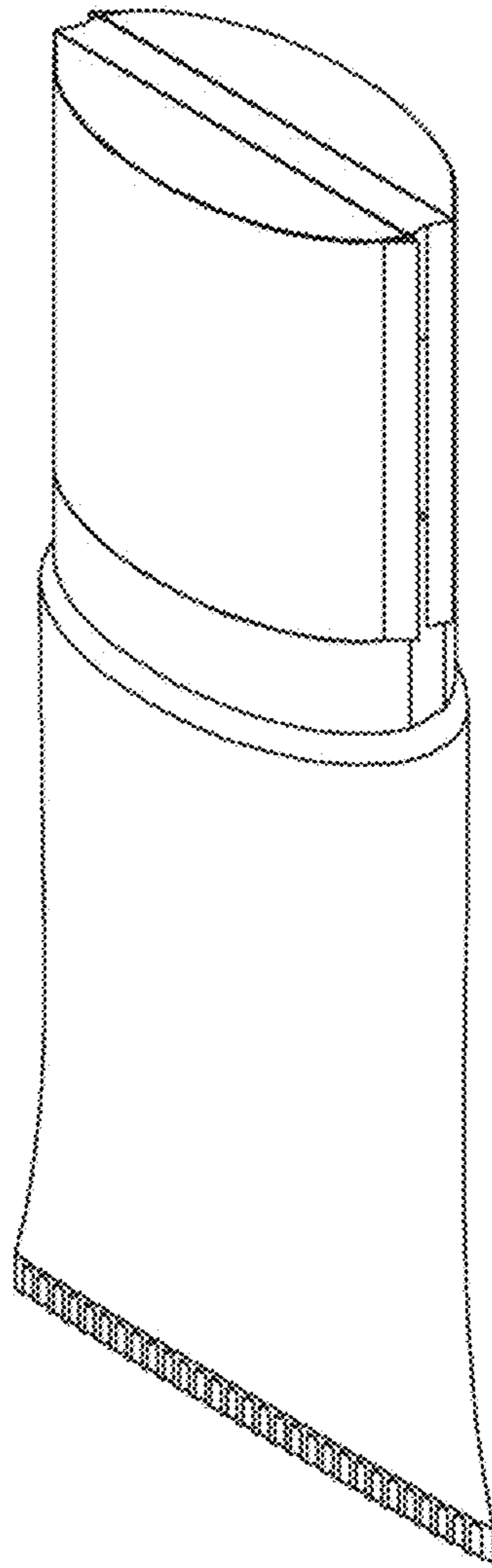
The ornamental design for a tube for packing cosmetic products, as shown and described.

**DESCRIPTION**

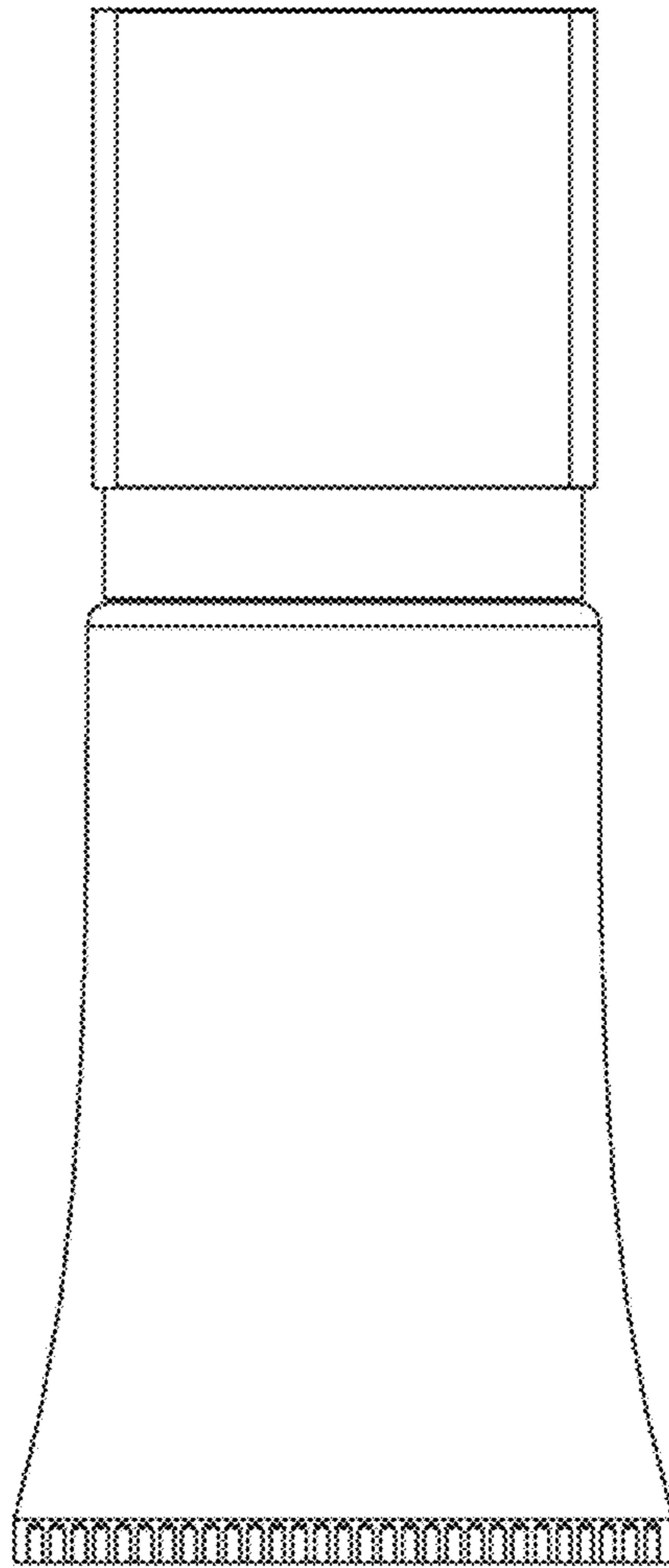
FIG. 1 is a perspective view of a tube vessel for packing cosmetic products showing my new design;  
FIG. 2 is a front elevational view thereof;  
FIG. 3 is a rear elevational view thereof;  
FIG. 4 is a left side elevational view thereof;  
FIG. 5 is a right side elevational view thereof;  
FIG. 6 is a top plan elevational view thereof; and,  
FIG. 7 is a bottom plan elevational view thereof.

**1 Claim, 7 Drawing Sheets**

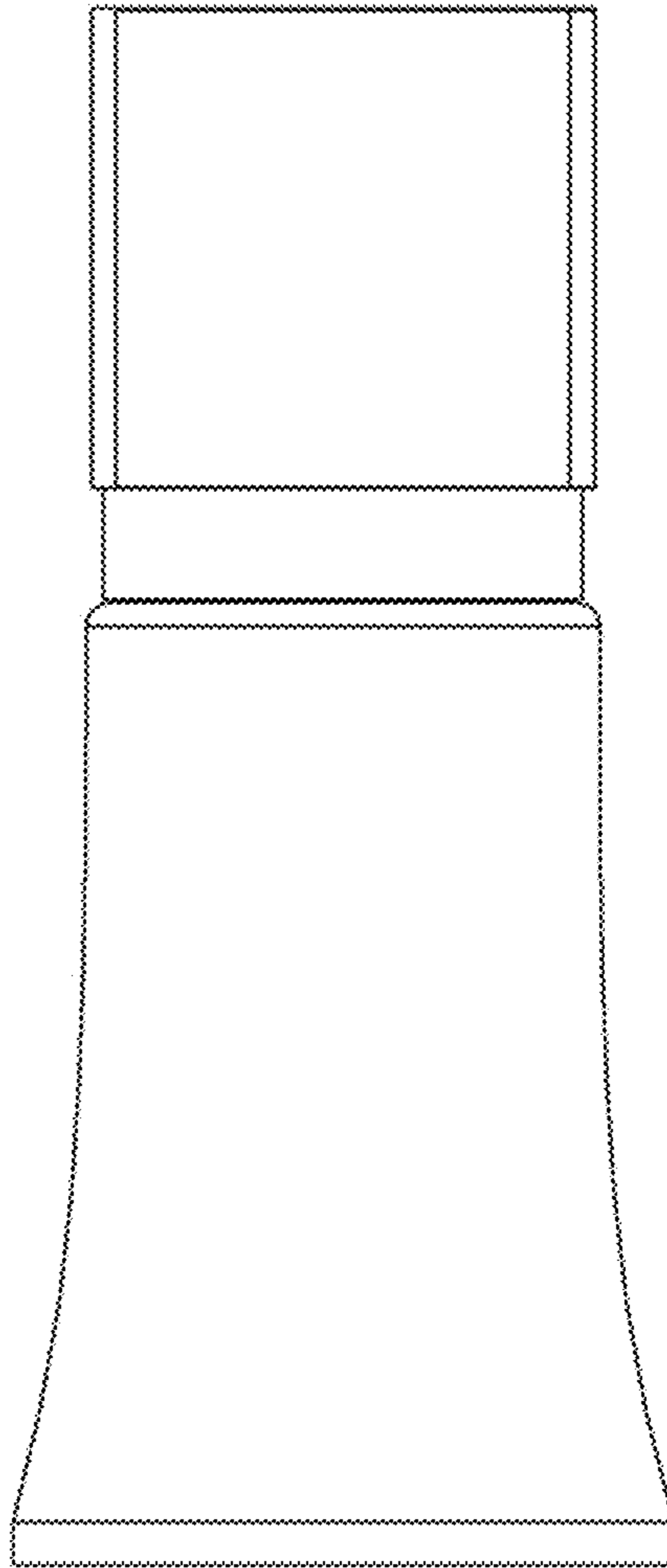




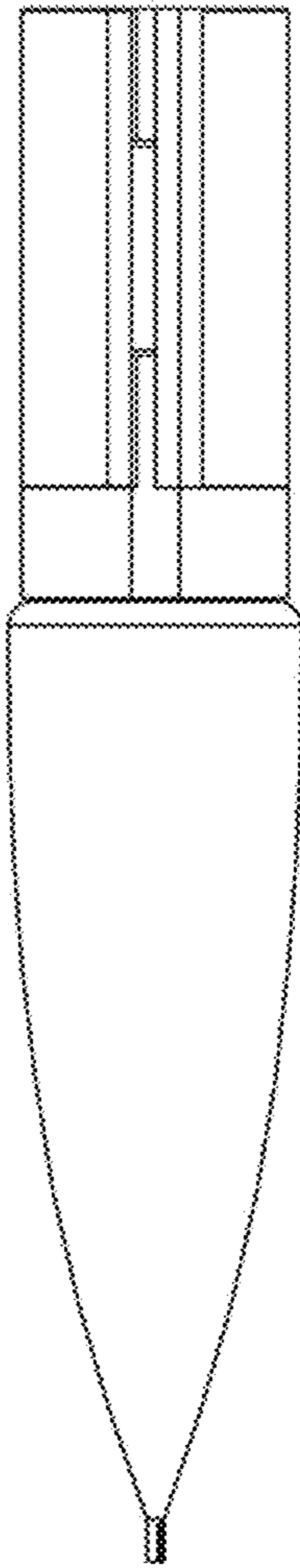
**FIG. 1**



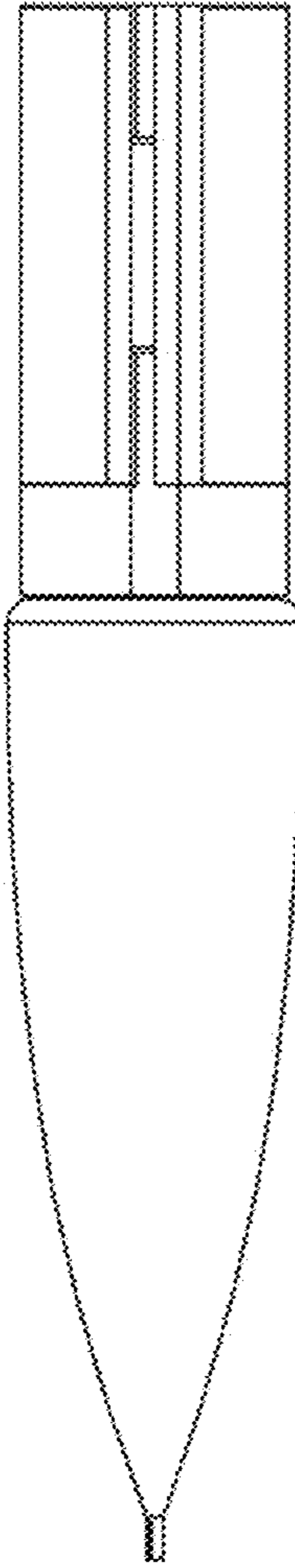
**FIG. 2**



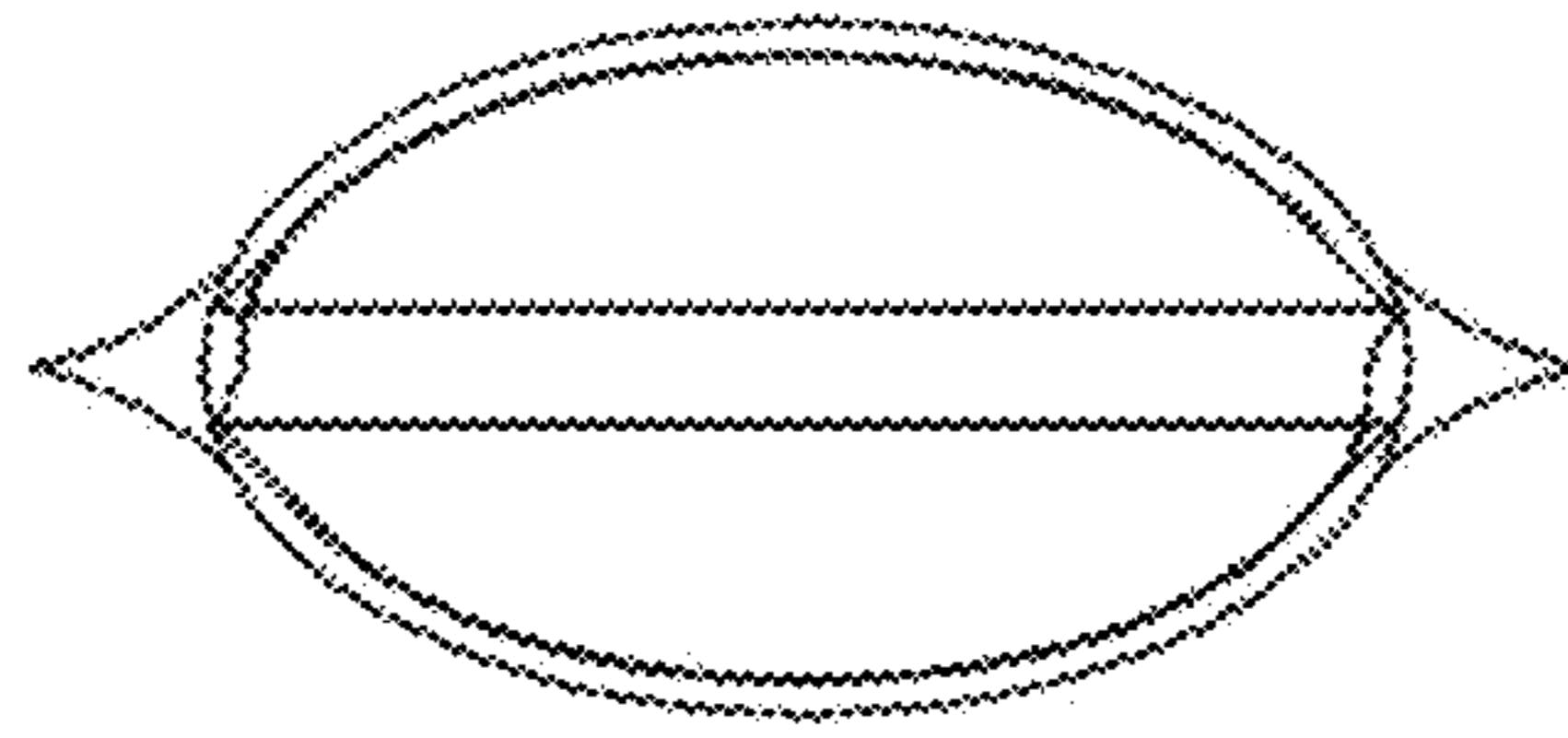
**FIG. 3**



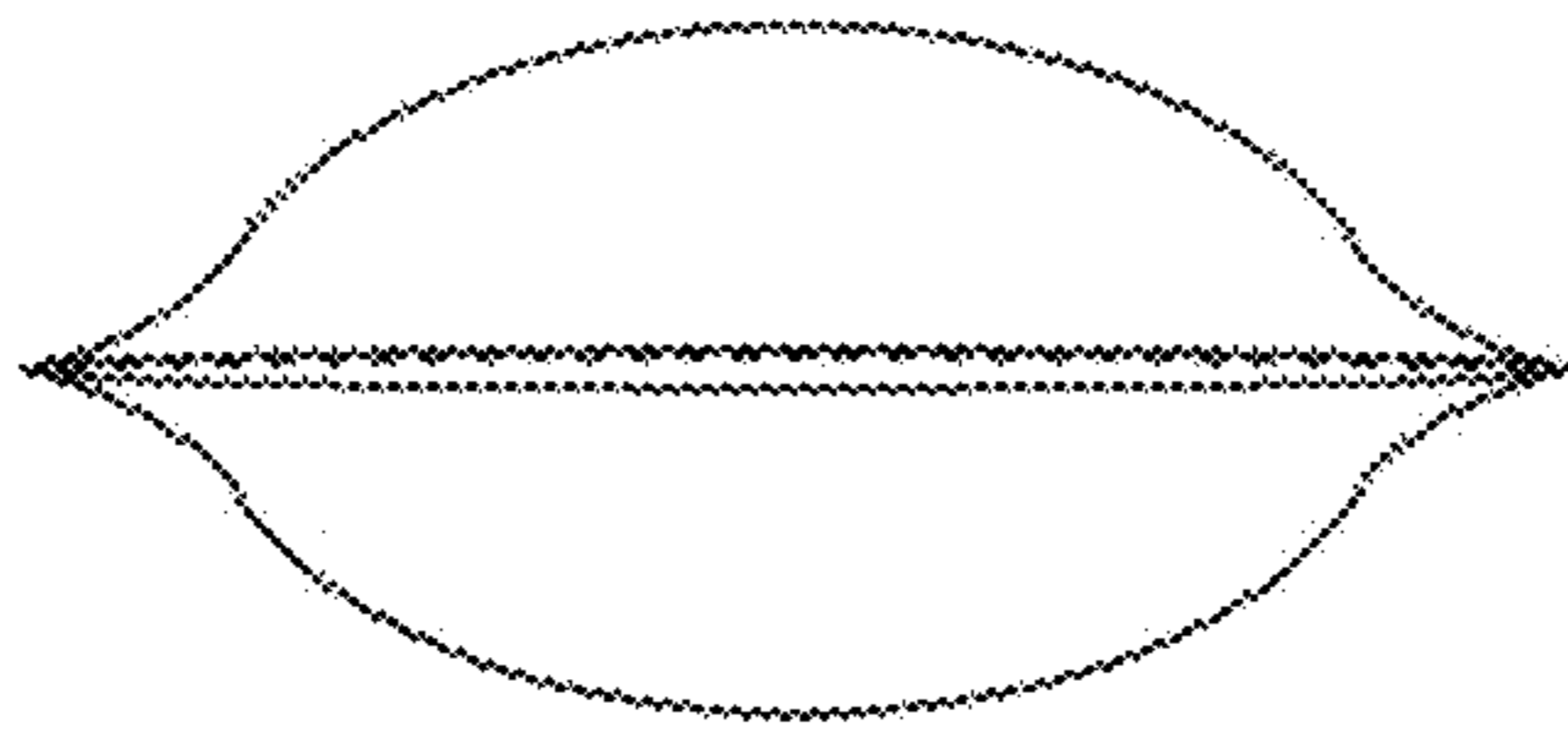
**FIG. 4**



**FIG. 5**



**FIG. 6**



**FIG. 7**