



US00D766095S

(12) **United States Design Patent** (10) **Patent No.:** **US D766,095 S**
Kruk (45) **Date of Patent:** **** Sep. 13, 2016**

(54) **BOTTLE**
(71) Applicant: **Christopher Kruk**, Germantown, WI (US)
(72) Inventor: **Christopher Kruk**, Germantown, WI (US)
(73) Assignee: **Backdoor Brands LLC**, Germantown, WI (US)
(**) Term: **14 Years**
(21) Appl. No.: **29/510,315**
(22) Filed: **Nov. 26, 2014**
(51) **LOC (10) Cl.** **09-01**
(52) **U.S. Cl.**
USPC **D9/624; D9/523**
(58) **Field of Classification Search**
USPC D3/270, 271.1-271.4; D7/514-520,
D7/599, 604, 613, 619.2, 623, 628;
D9/600, 614-629, 500, 502-505, 516,
D9/522-523, 537-546, 549-553, 556-560,
D9/574-575; 206/457, 459.5, 527;
215/381-384, 400; 220/288
CPC .. B65D 5/4258; B65D 81/60; B65D 81/365;
B65D 81/366; B65D 81/368; B65D 2203/00;
B65D 2203/02
See application file for complete search history.

D352,240 S * 11/1994 Shiokawa D9/523
D366,618 S * 1/1996 Brillet D9/545
D452,157 S * 12/2001 White D9/523
D533,073 S * 12/2006 Brunner D9/542
D562,682 S * 2/2008 Landis D9/624
D613,607 S * 4/2010 Yokota D9/543
D698,243 S * 1/2014 Letamendi D9/500
D701,124 S * 3/2014 O'Hara D9/624

* cited by examiner

Primary Examiner — Sandra Morris

(74) *Attorney, Agent, or Firm* — Lehrman Beverage Law, PLLC; Daniel Christopherson

(57) **CLAIM**

The ornamental design for a bottle, as shown and described.

DESCRIPTION

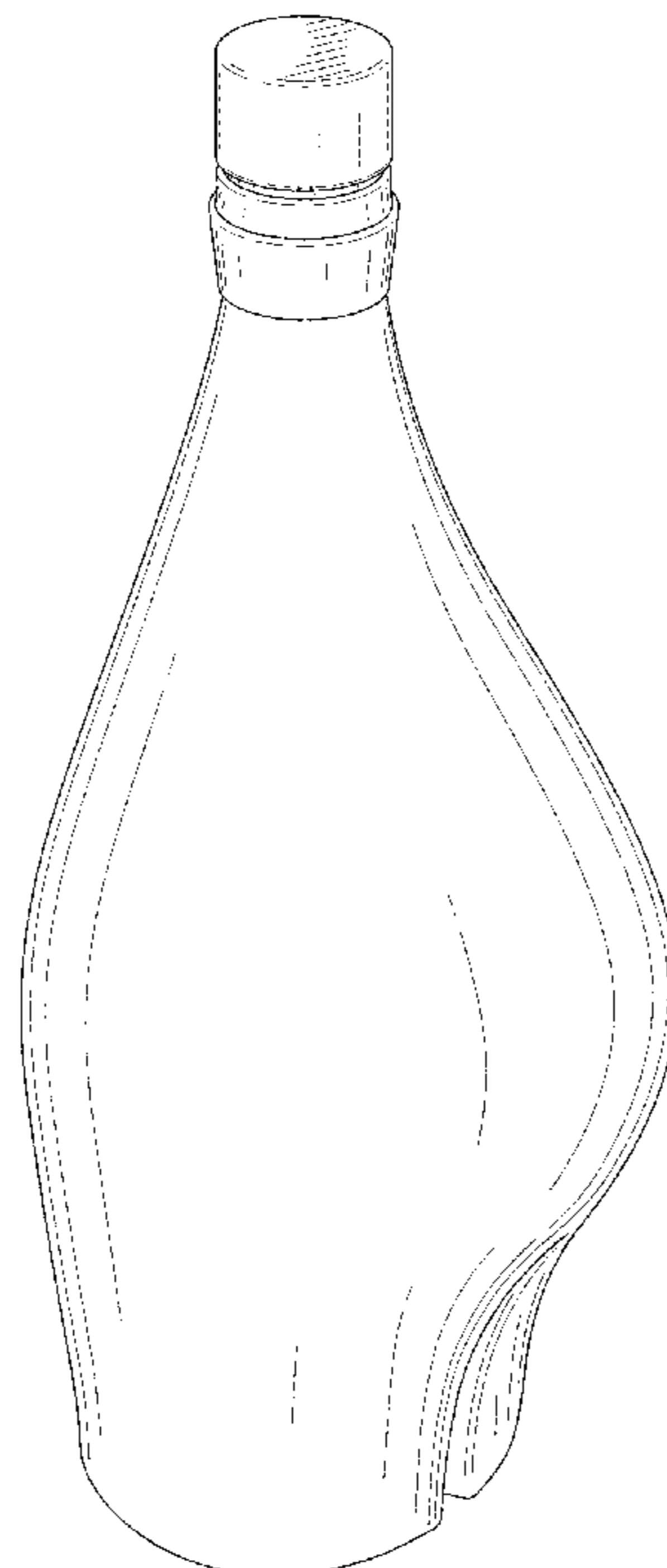
FIG. 1 is a front view of a bottle, showing my new design; FIG. 2 is a rear elevational view thereof; FIG. 3 is a front elevational view thereof; FIG. 4 is a side view thereof; FIG. 5 is the opposite side view thereof; FIG. 6 is a top plan view thereof; FIG. 7 is a bottom plan view thereof; and, FIG. 8 is a rear perspective view thereof. The broken lines in FIG. 7 are included for the purpose of illustrating a portion of the bottom that forms no part of the claimed design.

(56) **References Cited**

U.S. PATENT DOCUMENTS

D282,819 S * 3/1986 Laurent D9/624
D323,110 S * 1/1992 Simms D9/523

1 Claim, 7 Drawing Sheets



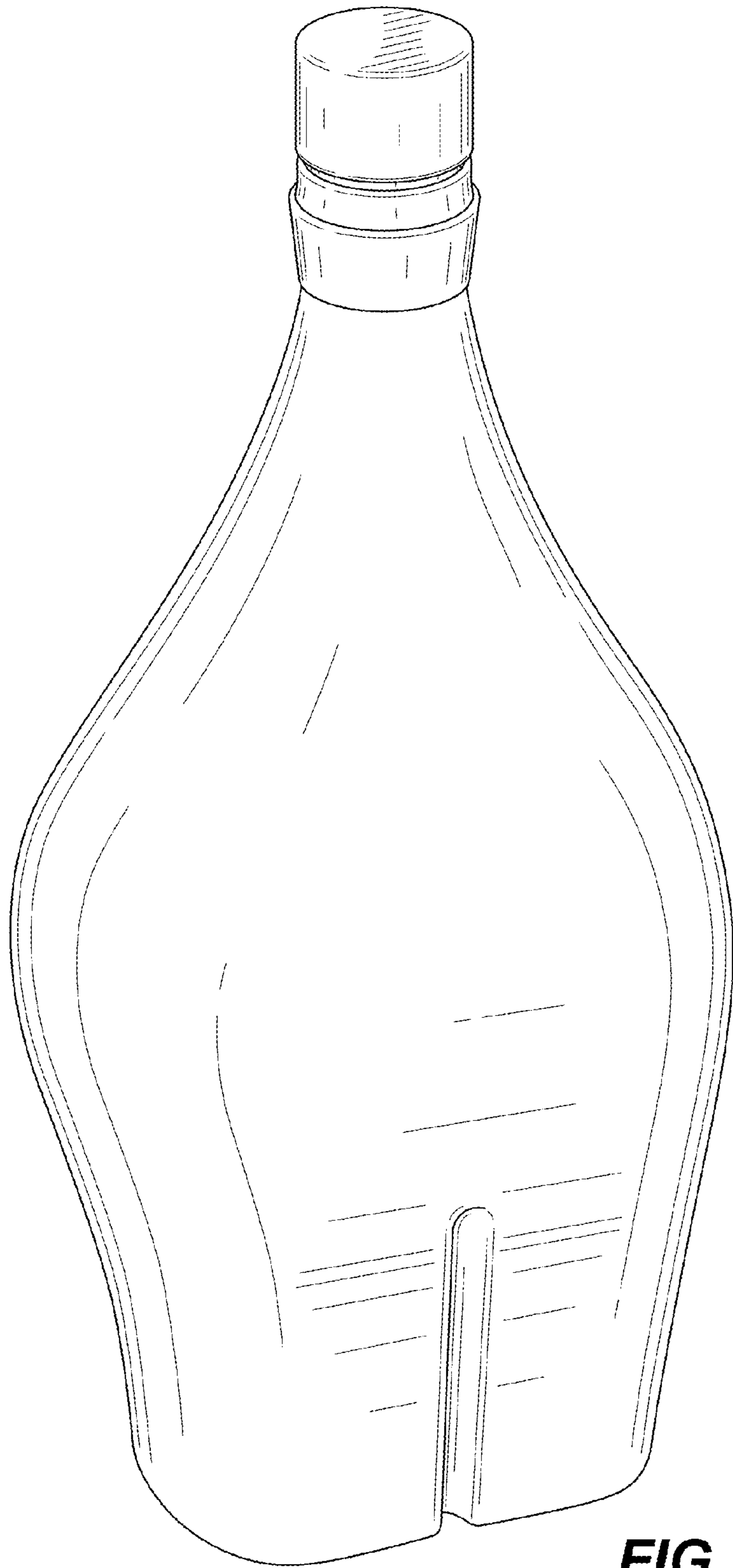


FIG. 1

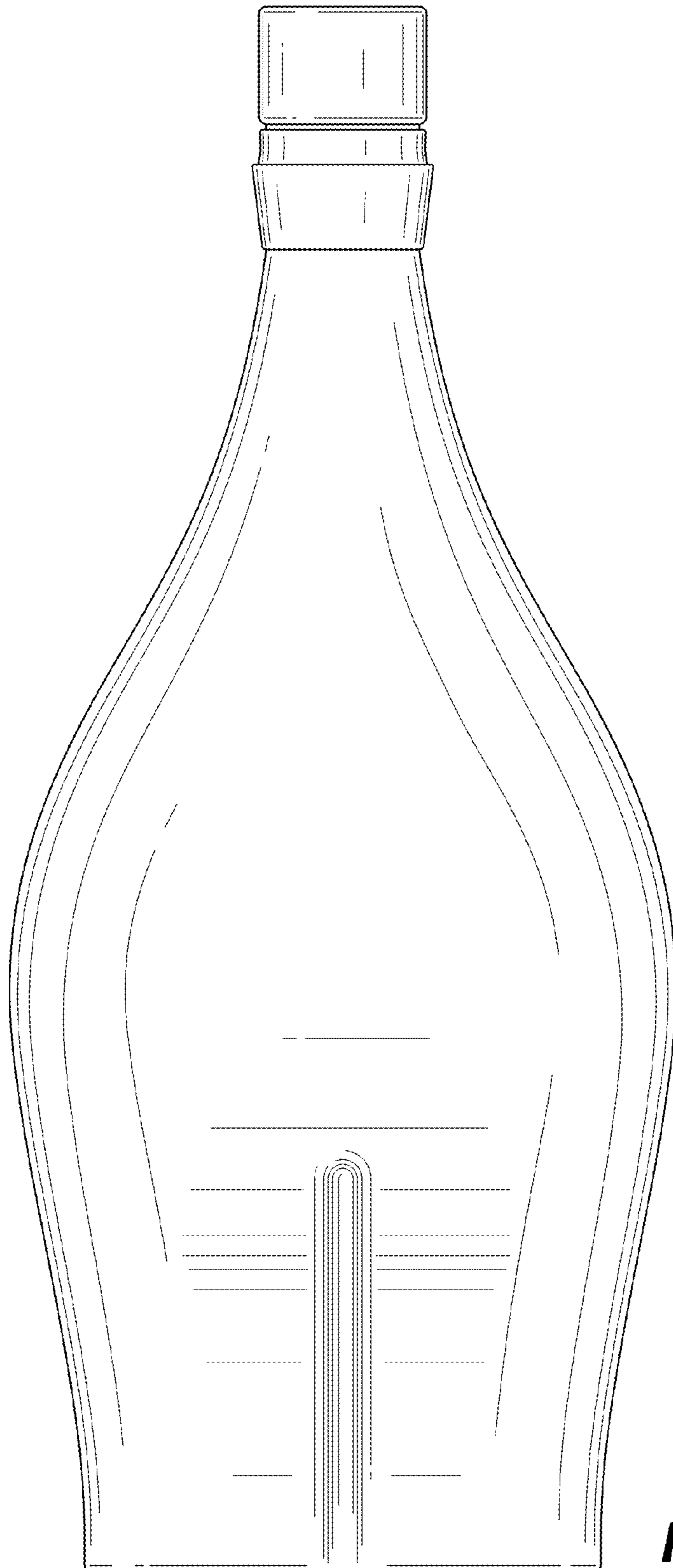


FIG. 2

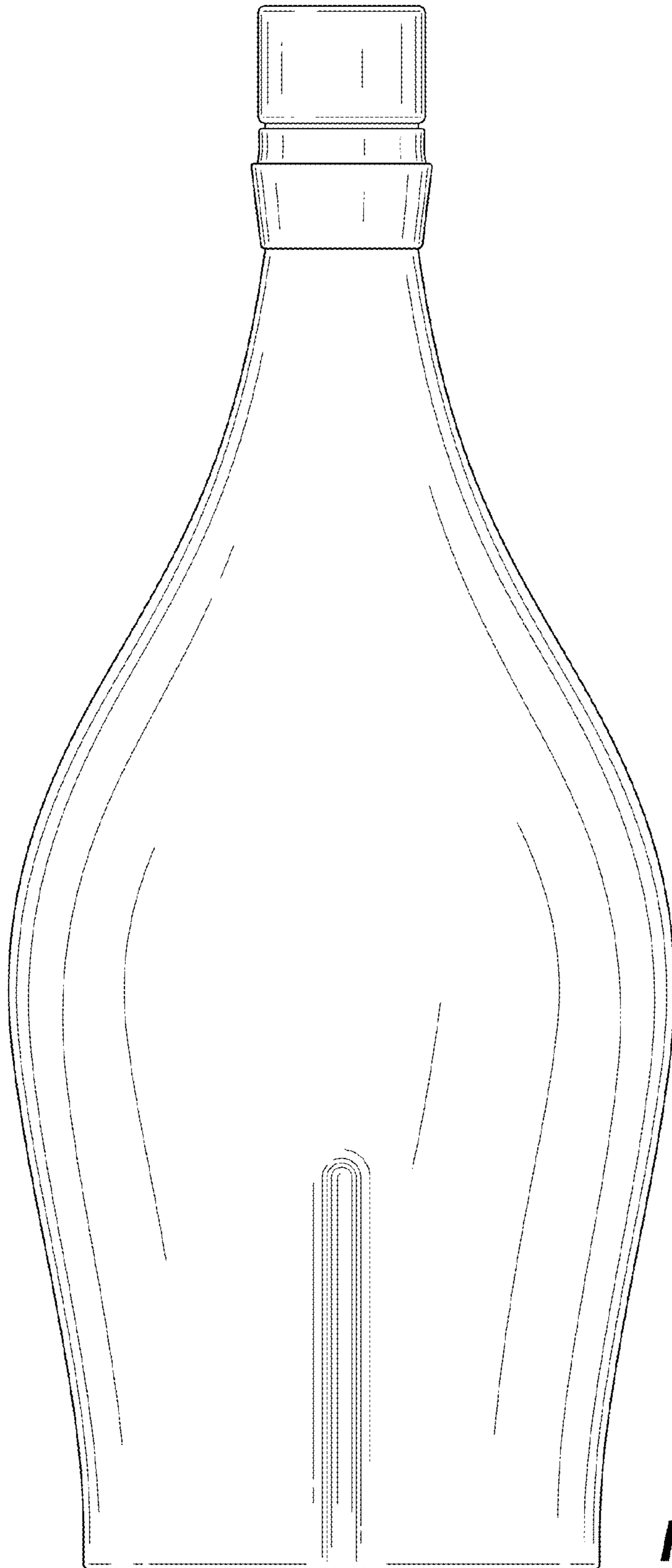


FIG. 3

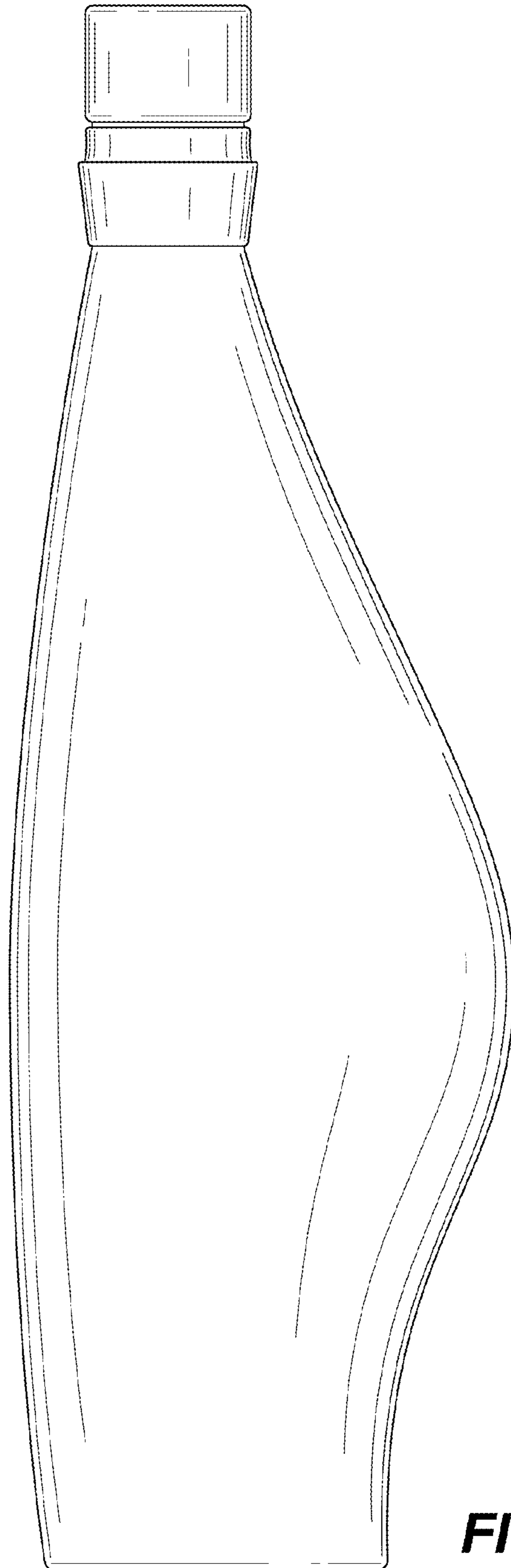


FIG. 4

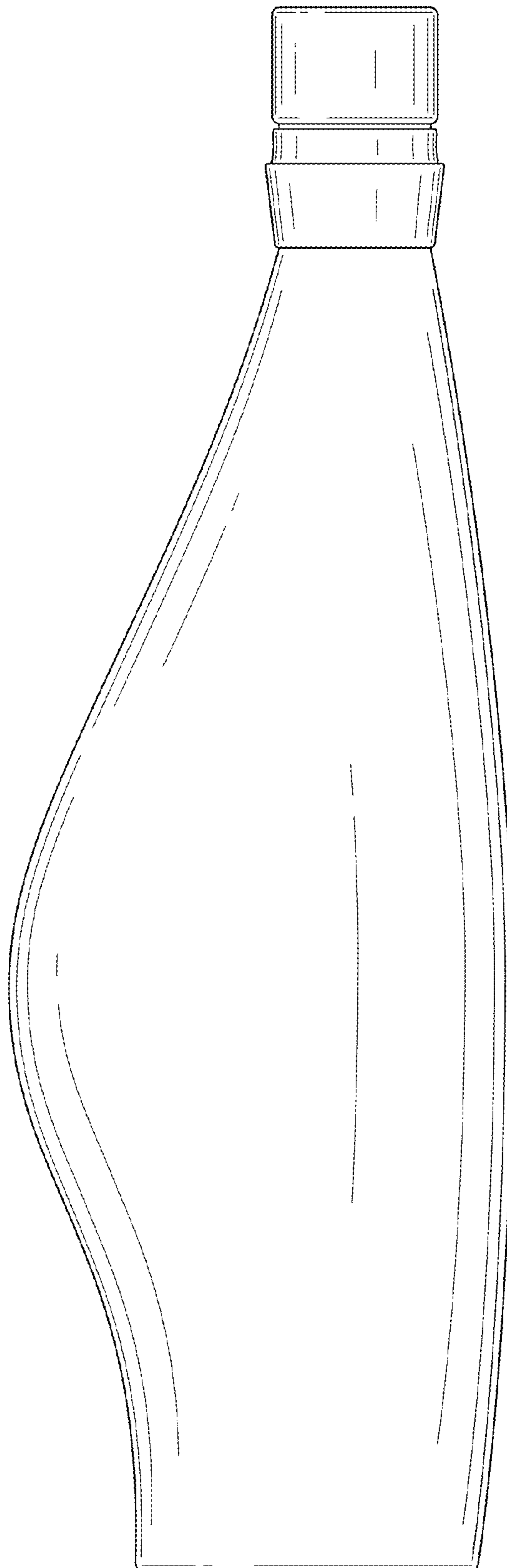


FIG. 5

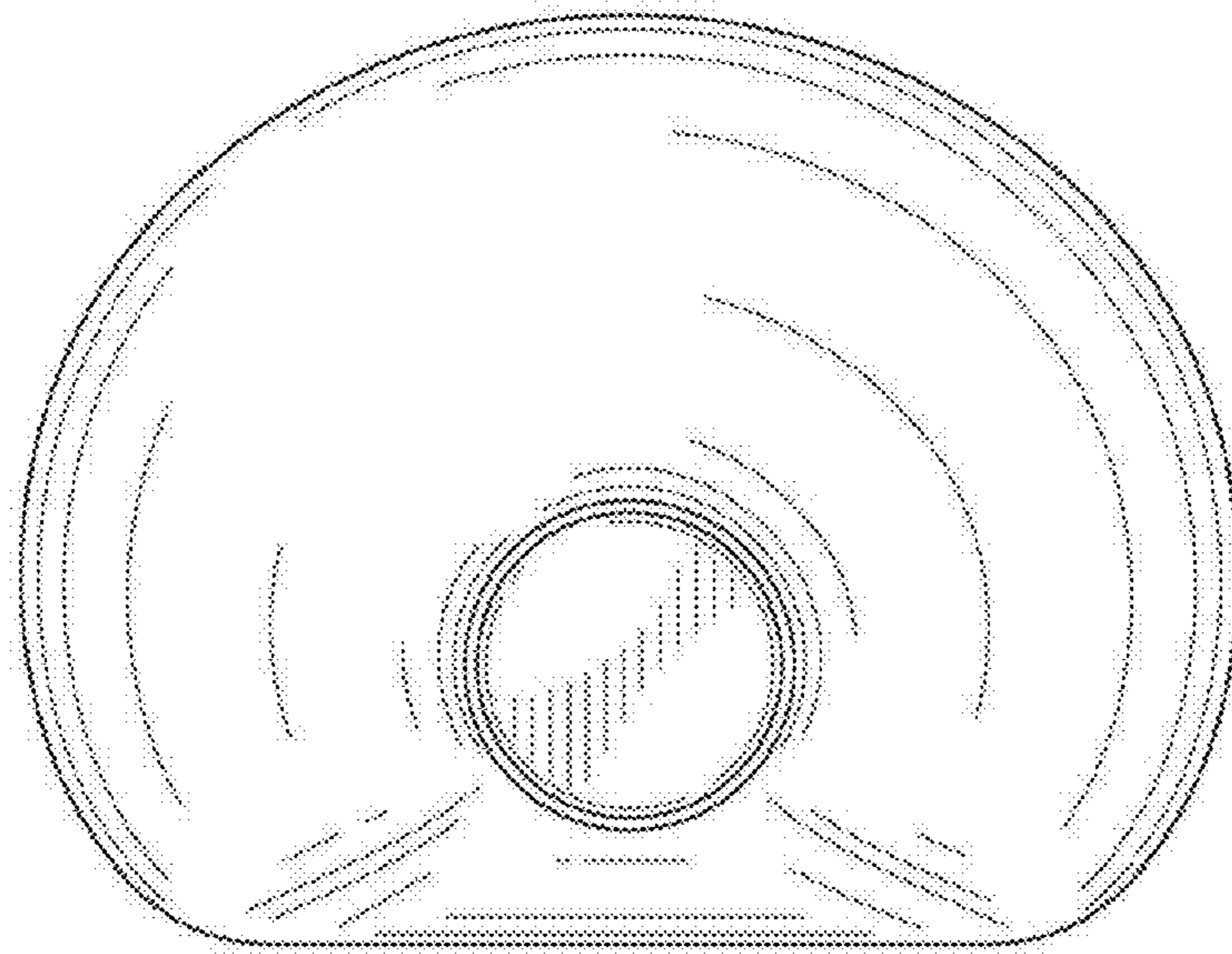


FIG. 6

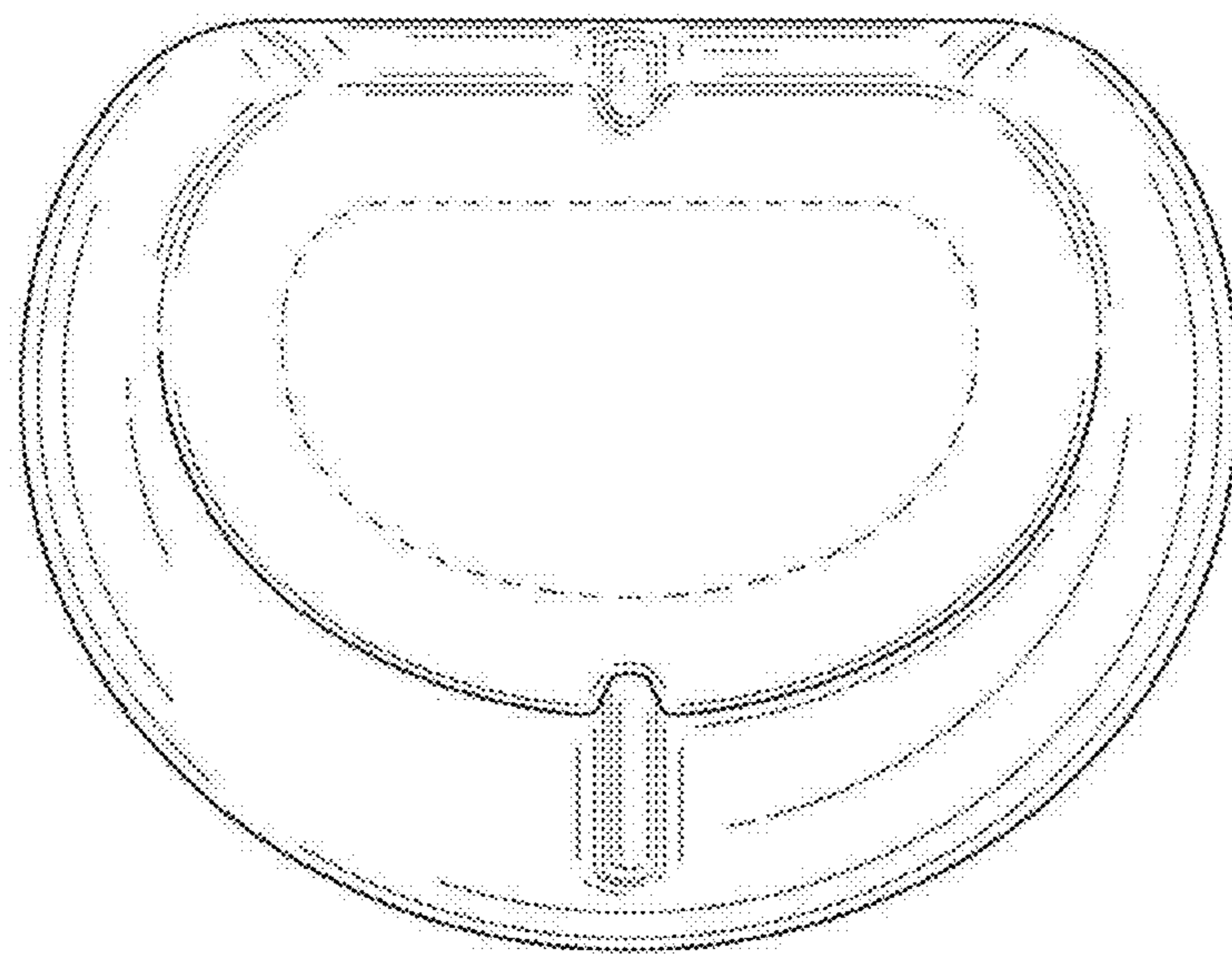


FIG. 7

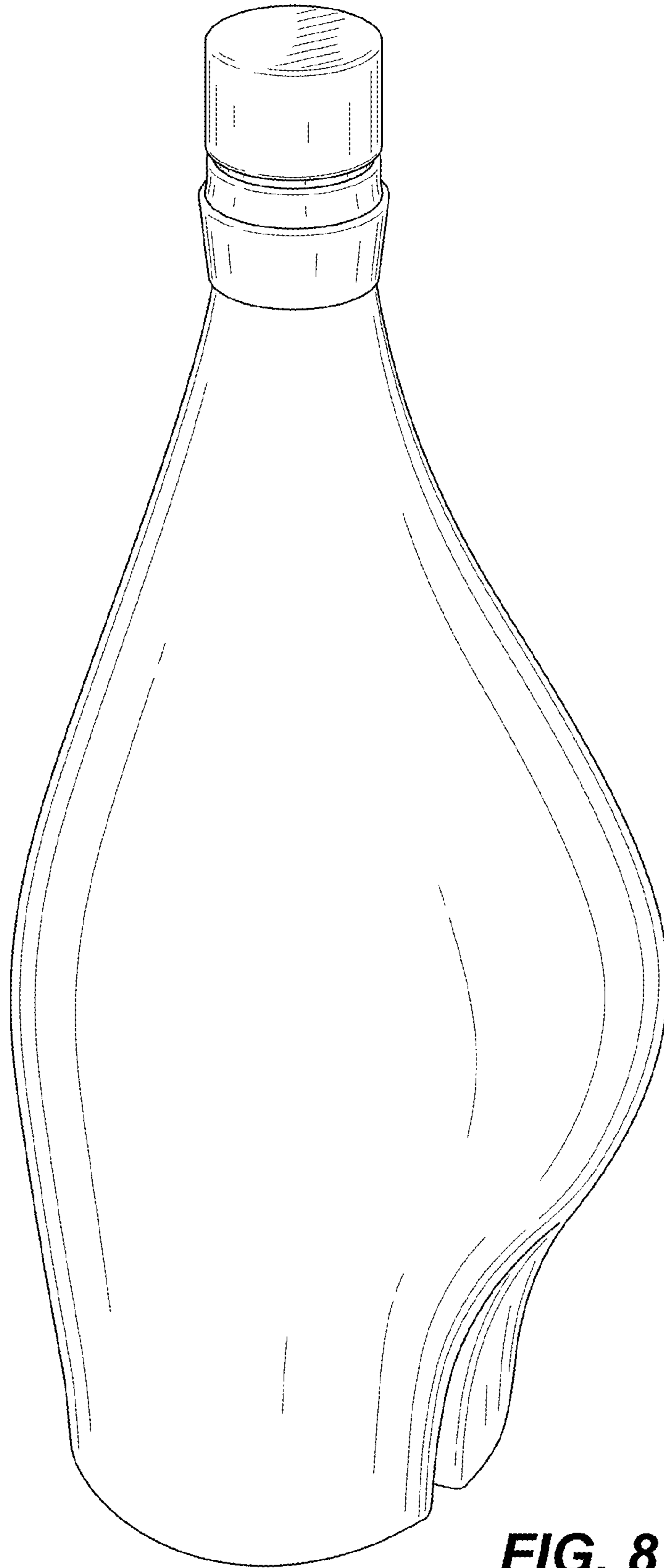


FIG. 8