



US00D766093S

(12) **United States Design Patent** (10) **Patent No.:** **US D766,093 S**  
**Otani** (45) **Date of Patent:** **\*\* Sep. 13, 2016**

(54) **COSMETIC JAR WITH CAP**  
(71) Applicant: **ELC MANAGEMENT LLC**, Melville, NY (US)  
(72) Inventor: **Laura Otani**, New York, NY (US)  
(73) Assignee: **ELC MANAGEMENT LLC**, Melville, NY (US)

(\*\*) Term: **15 Years**  
(21) Appl. No.: **29/538,731**

(22) Filed: **Sep. 8, 2015**  
(51) **LOC (10) Cl.** ..... **09-01**  
(52) **U.S. Cl.**  
USPC ..... **D9/567**; D9/573  
(58) **Field of Classification Search**  
USPC ..... D9/434-436, 452, 454, 516, 560, 567, D9/570, 572, 573, 574, 715, 719, 721; D28/73, 76-77, 91; D3/901  
CPC .. A45D 33/006; A45D 33/00; A45D 33/003; A45D 40/0068; A45D 29/20; B65D 11/16; B65D 51/245  
See application file for complete search history.

(56) **References Cited**  
U.S. PATENT DOCUMENTS  
D25,355 S \* 4/1896 Smalley ..... D9/522  
D34,168 S \* 3/1901 Gilchrist ..... D9/454  
D171,516 S 2/1954 Otto  
D217,435 S 5/1970 Wire  
D271,180 S \* 11/1983 Runyon ..... D9/426  
5,603,340 A \* 2/1997 Gueret ..... A45D 33/00  
132/293  
D443,082 S \* 5/2001 Klett ..... D26/7  
D505,517 S \* 5/2005 Baresi ..... D28/76  
D532,556 S \* 11/2006 Noh ..... D28/76  
D532,937 S \* 11/2006 Noh ..... D28/76  
D540,688 S 4/2007 Lascaux  
D577,292 S 9/2008 Moretti

D579,784 S 11/2008 Varlet  
D582,291 S 12/2008 de Baschmakoff  
D598,297 S 8/2009 Rica  
D604,174 S 11/2009 Rica  
D604,175 S \* 11/2009 Rica ..... D9/560  
D604,630 S 11/2009 Canamasas Puigbo  
D621,708 S \* 8/2010 Thomas ..... D9/500  
D635,031 S 3/2011 Themann  
D738,218 S \* 9/2015 Rohit ..... D9/454

(Continued)

**FOREIGN PATENT DOCUMENTS**

CA 141636 3/2012  
CN 3513247 3/2006

(Continued)

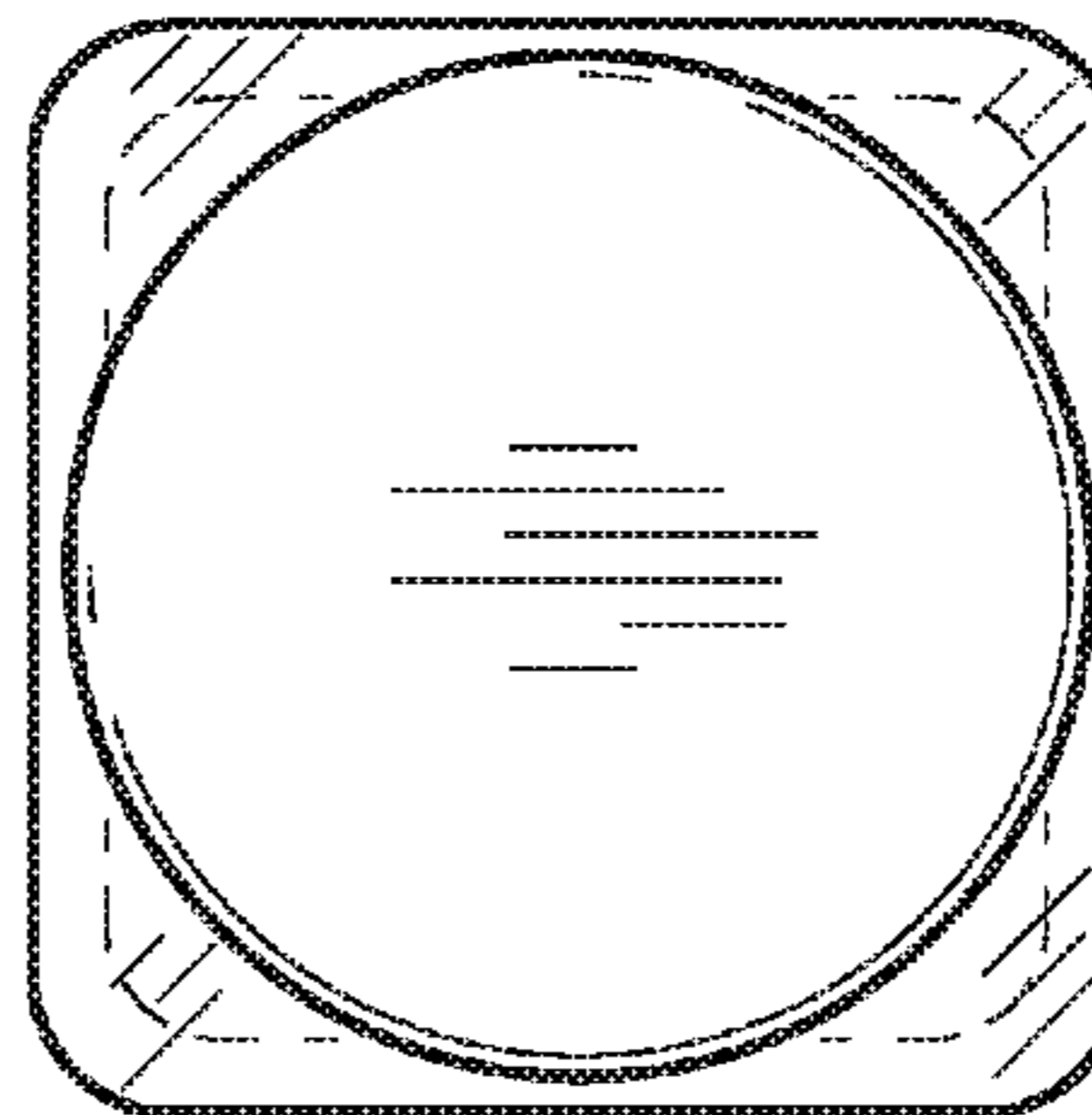
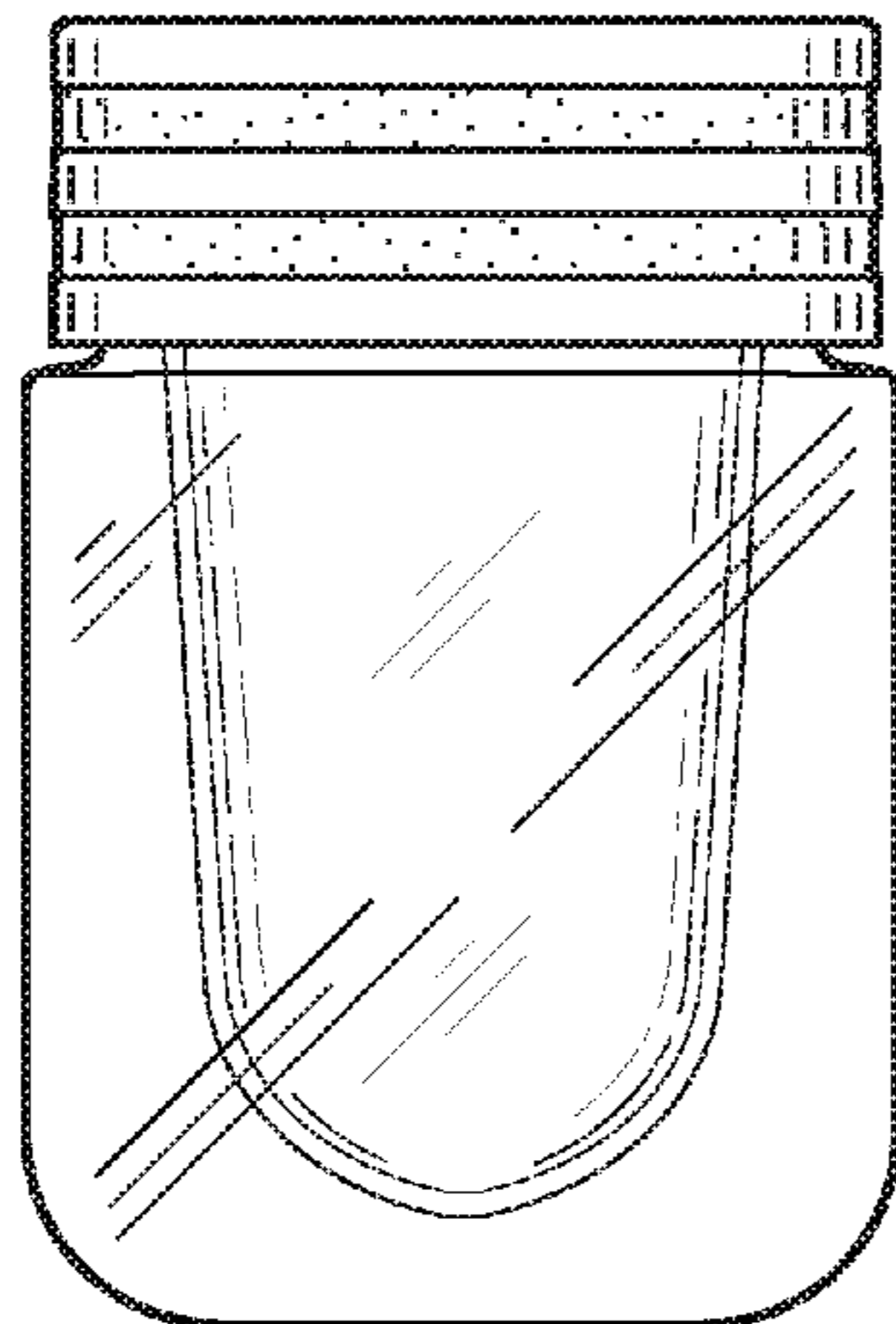
*Primary Examiner* — Ian Simmons  
*Assistant Examiner* — Keith Frank  
(74) *Attorney, Agent, or Firm* — Cynthia R. Miller

(57) **CLAIM**  
The ornamental design for a cosmetic jar with cap, as shown and described.

**DESCRIPTION**

FIG. 1 is a perspective view of a cosmetic jar with cap showing my new design, the opposite side perspective view being a mirror image thereof;  
FIG. 2 is a front elevation view of the cosmetic jar with cap, shown in FIG. 1, the rear, right and left side elevation views being identical thereto;  
FIG. 3 is a top plan view of the cosmetic jar with cap, shown in FIG. 1; and,  
FIG. 4 is a bottom plan view of the cosmetic jar with cap, shown in FIG. 1.  
The broken lines in the drawings illustrate the portions of the cosmetic jar with cap that form no part of the claim. The stipple shading and the straight line shading on the cap portion of the cosmetic jar with cap in the drawings illustrate a contrasting appearance.

**1 Claim, 2 Drawing Sheets**



# US D766,093 S

Page 2

---

(56)

## References Cited

### U.S. PATENT DOCUMENTS

2005/0011895 A1\* 1/2005 Lin ..... B65D 51/245  
220/300  
2006/0144739 A1\* 7/2006 Tsai ..... A45D 33/006  
206/459.5

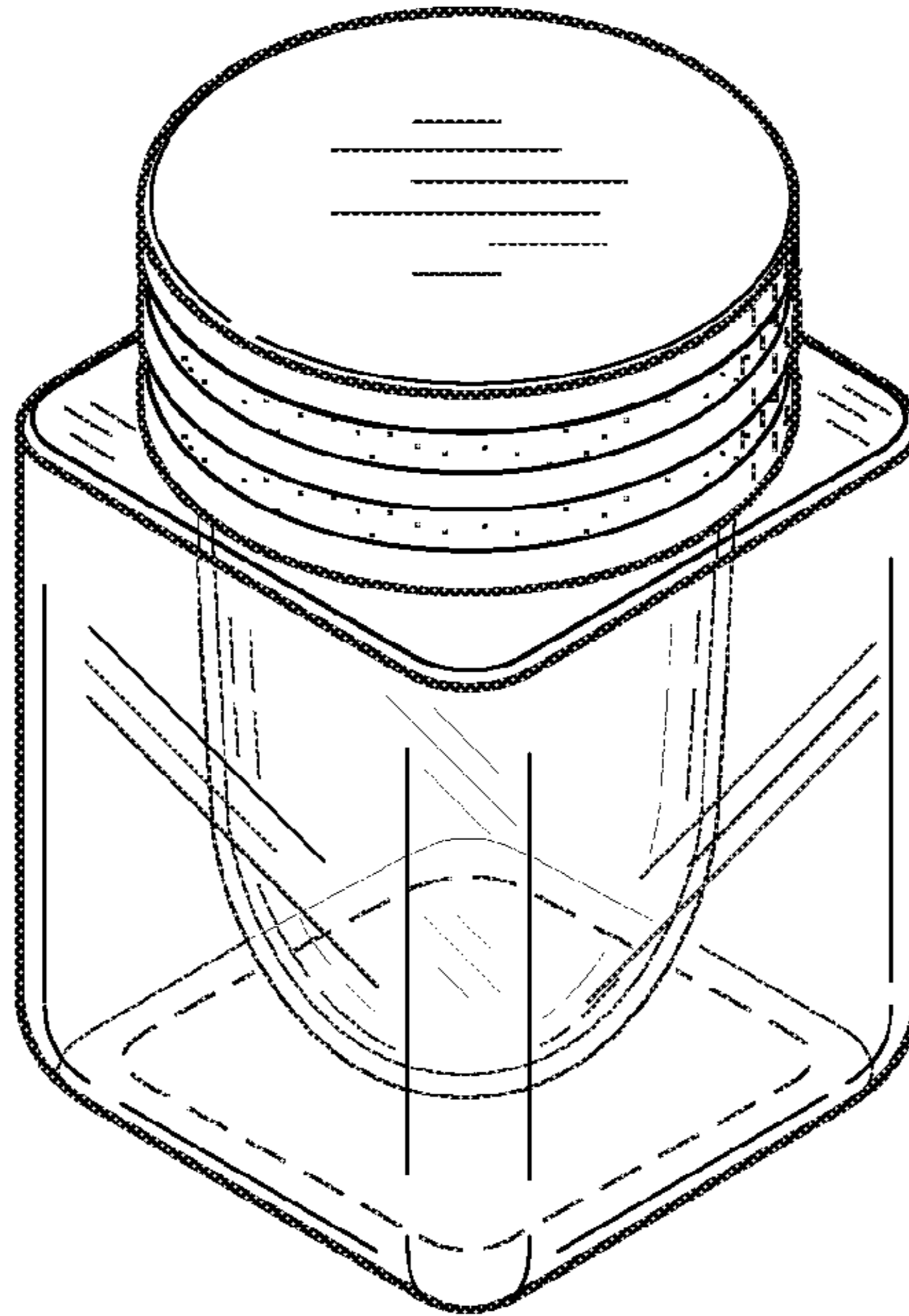
### FOREIGN PATENT DOCUMENTS

CN 300861020 12/2008

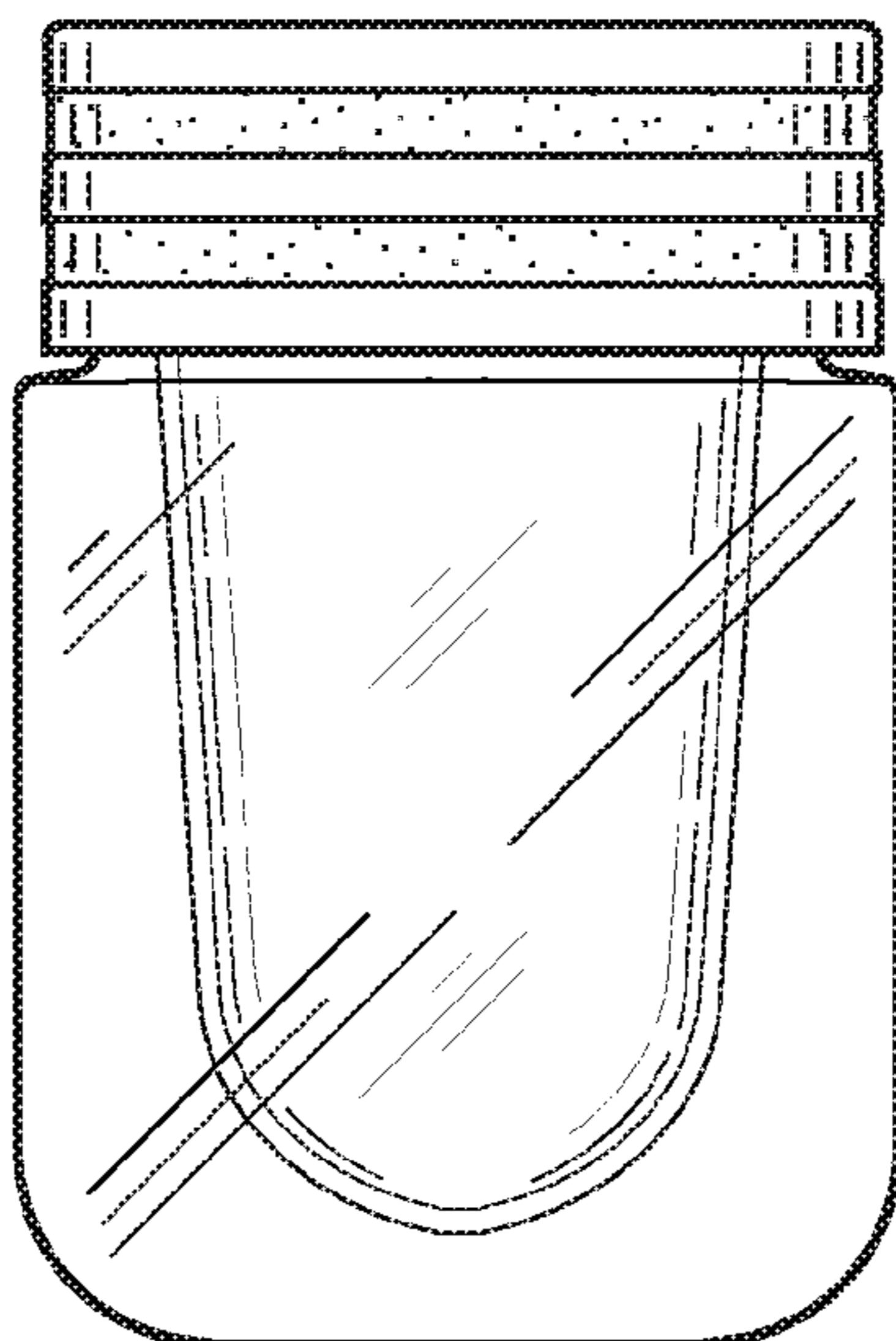
CN	301211663	5/2010
CN	302151659	10/2012
CN	302162847	11/2012
CN	302965451	10/2014
EM	000488911-0001	4/2006
EM	000488911-0002	4/2006
EM	000913694-0003	5/2008
EM	002317040-0002	10/2013
KR	300637129.0000	3/2012
WO	D068108-001	2/2007

\* cited by examiner

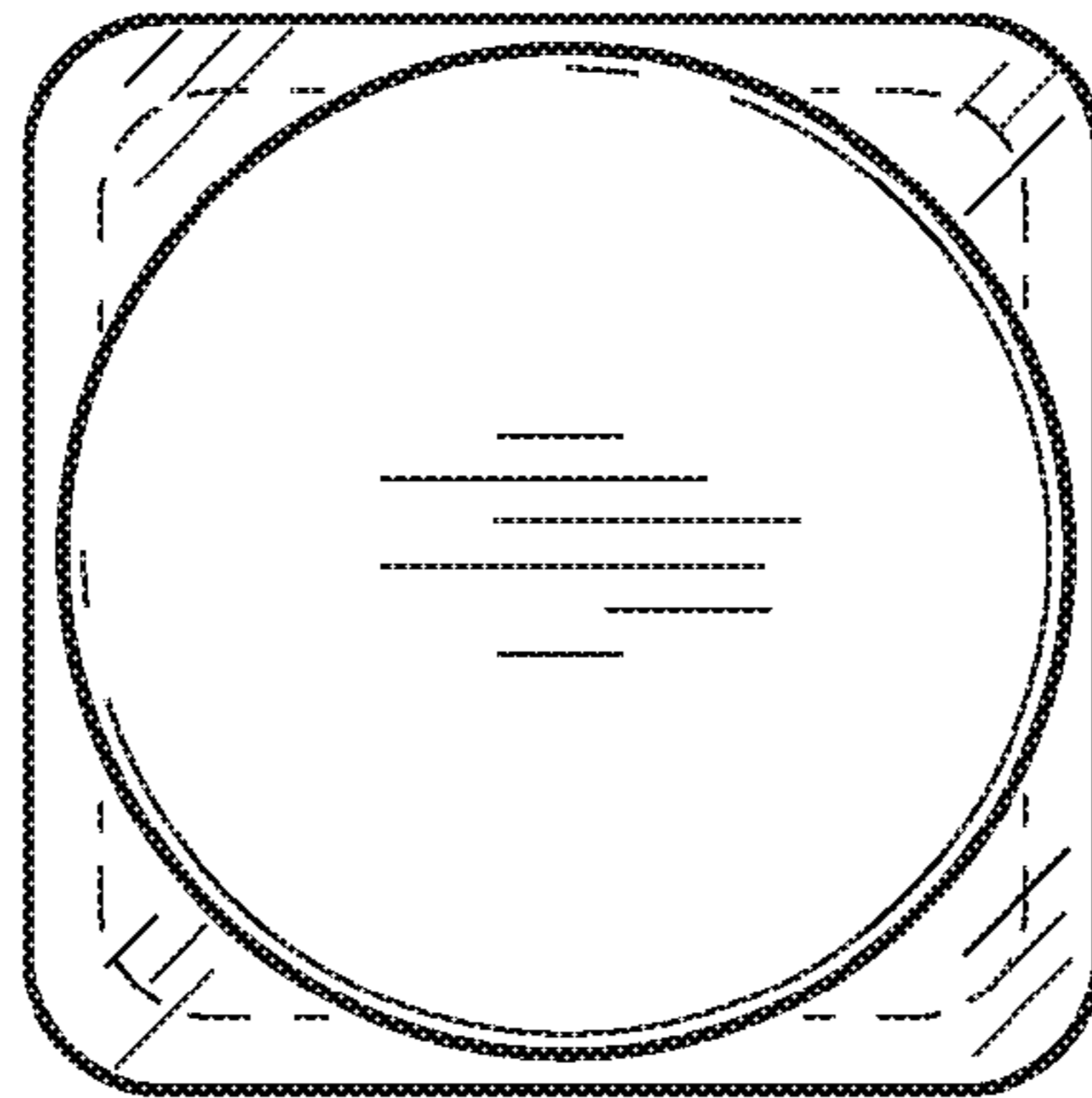
**FIG. 1**



**FIG. 2**



**FIG. 3**



**FIG. 4**

