

US00D766086S

(12) **United States Design Patent** (10) **Patent No.:** **US D766,086 S**  
**Strachan** (45) **Date of Patent:** **\*\* Sep. 13, 2016**

(54) <b>CONTAINER CLOSURE</b>	D516,913 S * 3/2006 LaMasney ..... D9/454
	D637,081 S * 5/2011 Collins ..... D9/452
(71) Applicant: <b>FIRST QUALITY PACKAGING SOLUTIONS, LLC</b> , Great Neck, NY (US)	D642,920 S * 8/2011 Taylor ..... D9/453
	8,047,398 B2 * 11/2011 Dimartino ..... B65D 43/0212 215/344
	8,191,728 B2 * 6/2012 Auer ..... A47J 36/027 215/216
(72) Inventor: <b>Mark Strachan</b> , Jupiter, FL (US)	D670,166 S * 11/2012 Lavender ..... D9/452
	D674,697 S * 1/2013 Biesecker ..... D9/441
(73) Assignee: <b>First Quality Packaging Solutions, LLC</b> , Great Neck, NY (US)	8,424,711 B2 * 4/2013 Charbonnet ..... B65D 43/0208 220/703
	D690,201 S * 9/2013 Klebeck ..... D9/439
	D739,233 S * 9/2015 Antal, Sr. .... D9/435
(**) Term: <b>14 Years</b>	2013/0327783 A1 * 12/2013 Blake ..... B65D 51/1694 220/780

(21) Appl. No.: **29/519,658**

(22) Filed: **Mar. 6, 2015**

(51) **LOC (10) Cl.** ..... **09-07**

(52) **U.S. Cl.**  
USPC ..... **D9/454**; D9/434; D9/435; D9/452

(58) **Field of Classification Search**  
USPC ..... D3/202, 203.1, 203.2, 273, 275, 294, D3/318; D7/300, 300.1, 316, 317, 387, D7/391, 392.1, 393, 396.2, 509, 510, 511, D7/523-531, 538, 541, 549, 629, 703, D7/900; D8/349, 350, 352; D9/434, 435, D9/438, 439, 440, 443, 446-454, 502, 503, D9/504, 516, 517, 529; D10/123, 126; D12/204, 213, 454; D19/70, 71, 93, D19/115, 162, 163, 165, 192, 194; D24/121, 127, 197, 224; D26/36, 123, D26/124; D34/1, 7, 10, 11; 206/534, 459.1; 215/222, 232, 201, 211, 216, 217, 218, 215/220, 342, 341; 220/253; 222/548, 288, 222/239.4, 239.3  
CPC ..... B65D 23/00; B65D 2501/00; B65D 2501/0009; B65D 1/00; B65D 1/02; B65D 1/0223; B65D 51/1694; B65D 43/0212; B65D 43/0208; A47J 36/027  
See application file for complete search history.

(56) **References Cited**

**U.S. PATENT DOCUMENTS**

D468,207 S \* 1/2003 Brown ..... D9/435  
D516,912 S \* 3/2006 LaMasney ..... D9/454

\* cited by examiner

*Primary Examiner* — Thomas Johannes

*Assistant Examiner* — Catherine Posthauer

(74) *Attorney, Agent, or Firm* — Amster, Rothstein & Ebenstein, LLP

(57) **CLAIM**

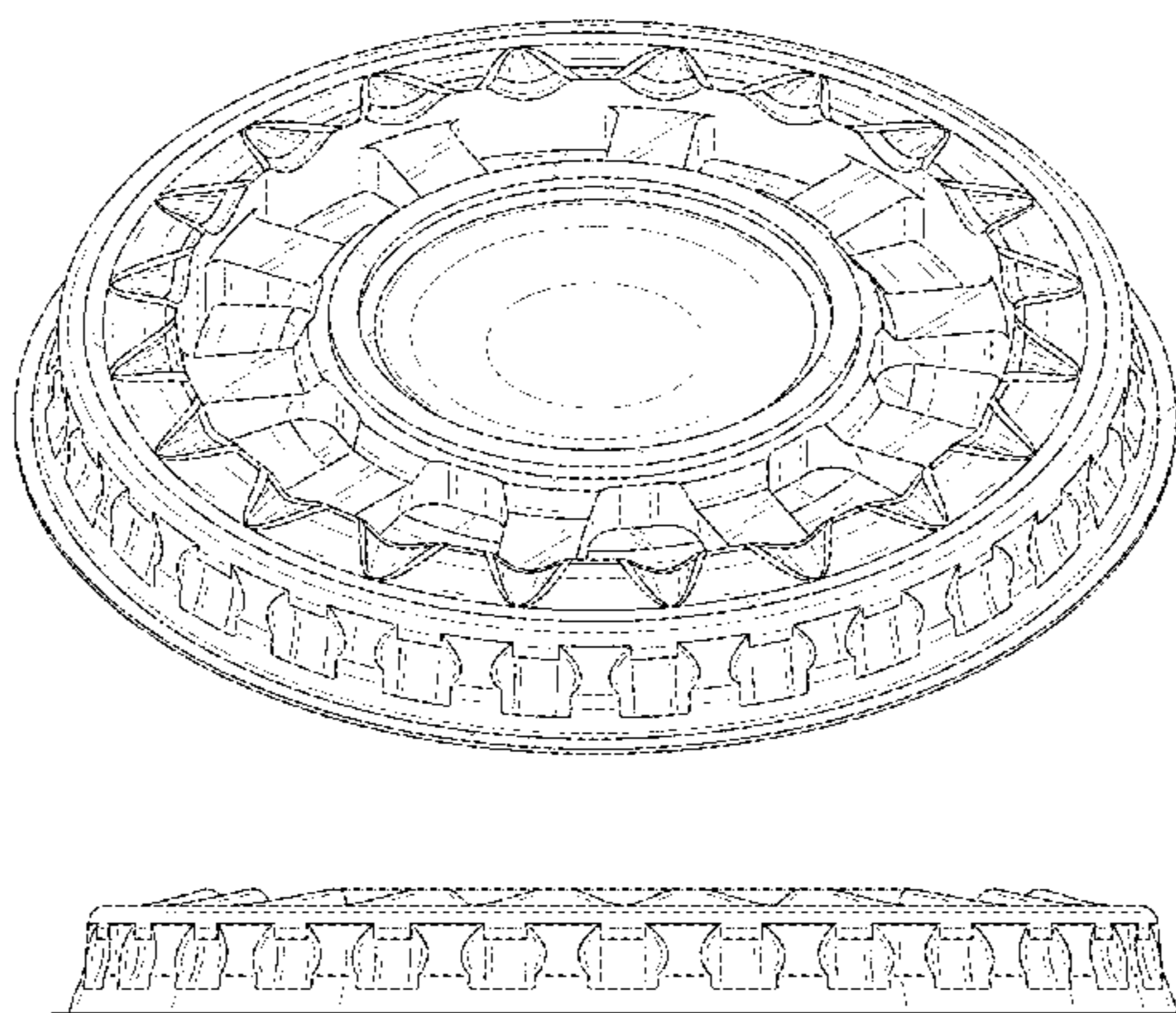
The ornamental design for a container closure, as shown and described.

**DESCRIPTION**

FIG. 1 is a top perspective view of a new container closure showing my new design;  
FIG. 2 is a top plan view of the container closure of FIG. 1;  
FIG. 3 is a bottom plan view of the container closure of FIG. 1;  
FIG. 4 is a first side view of the container closure of FIG. 1;  
FIG. 5 is a second side view of the container closure of FIG. 1;  
FIG. 6 is an inverted third side view of the container closure of FIG. 1; and,  
FIG. 7 is a fourth side view of the container closure of FIG. 1.

The broken lines are shown for the purpose of illustrating parts of the container closure that form no part of the claimed design.

**1 Claim, 5 Drawing Sheets**



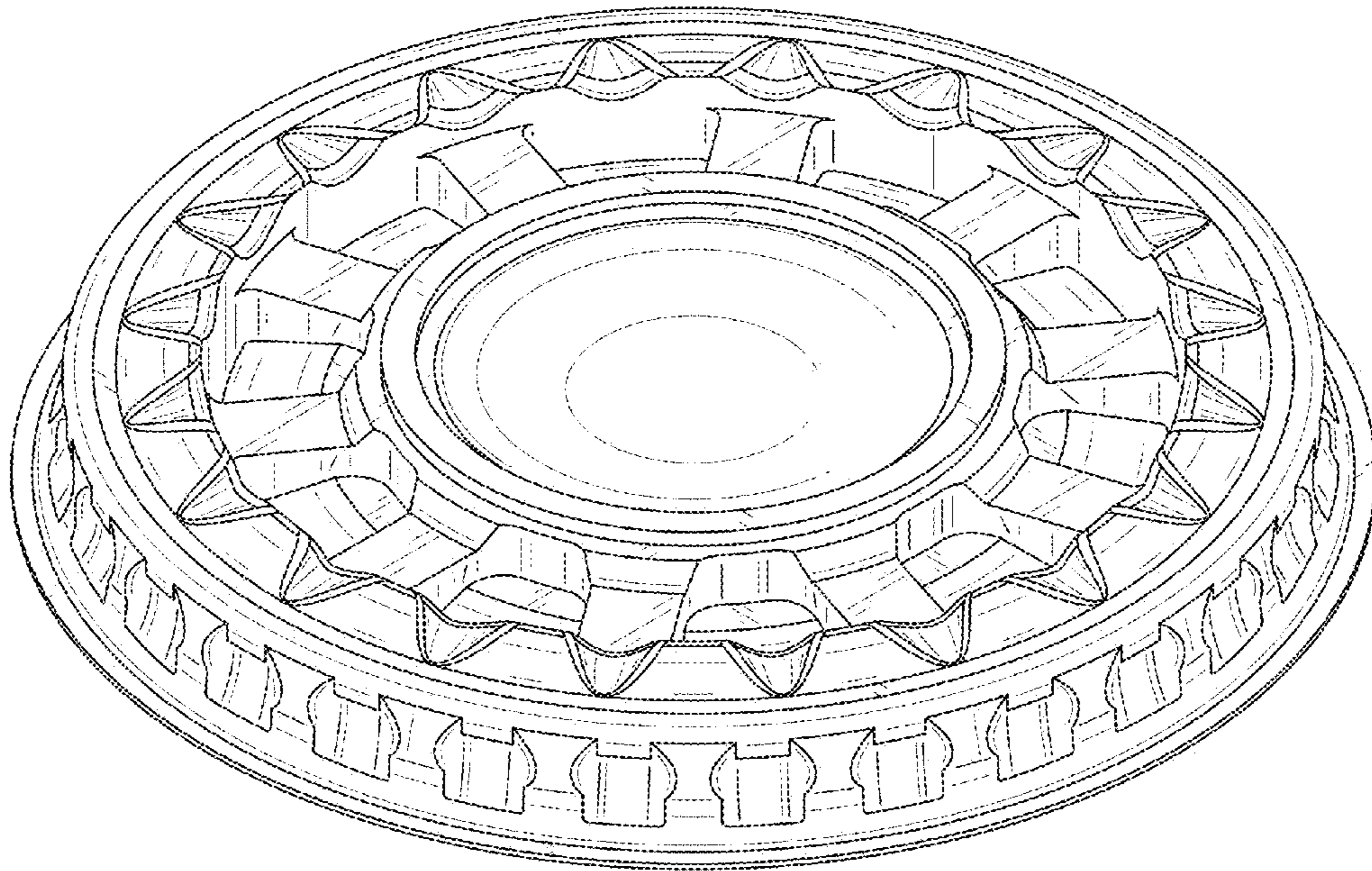


FIG. 1

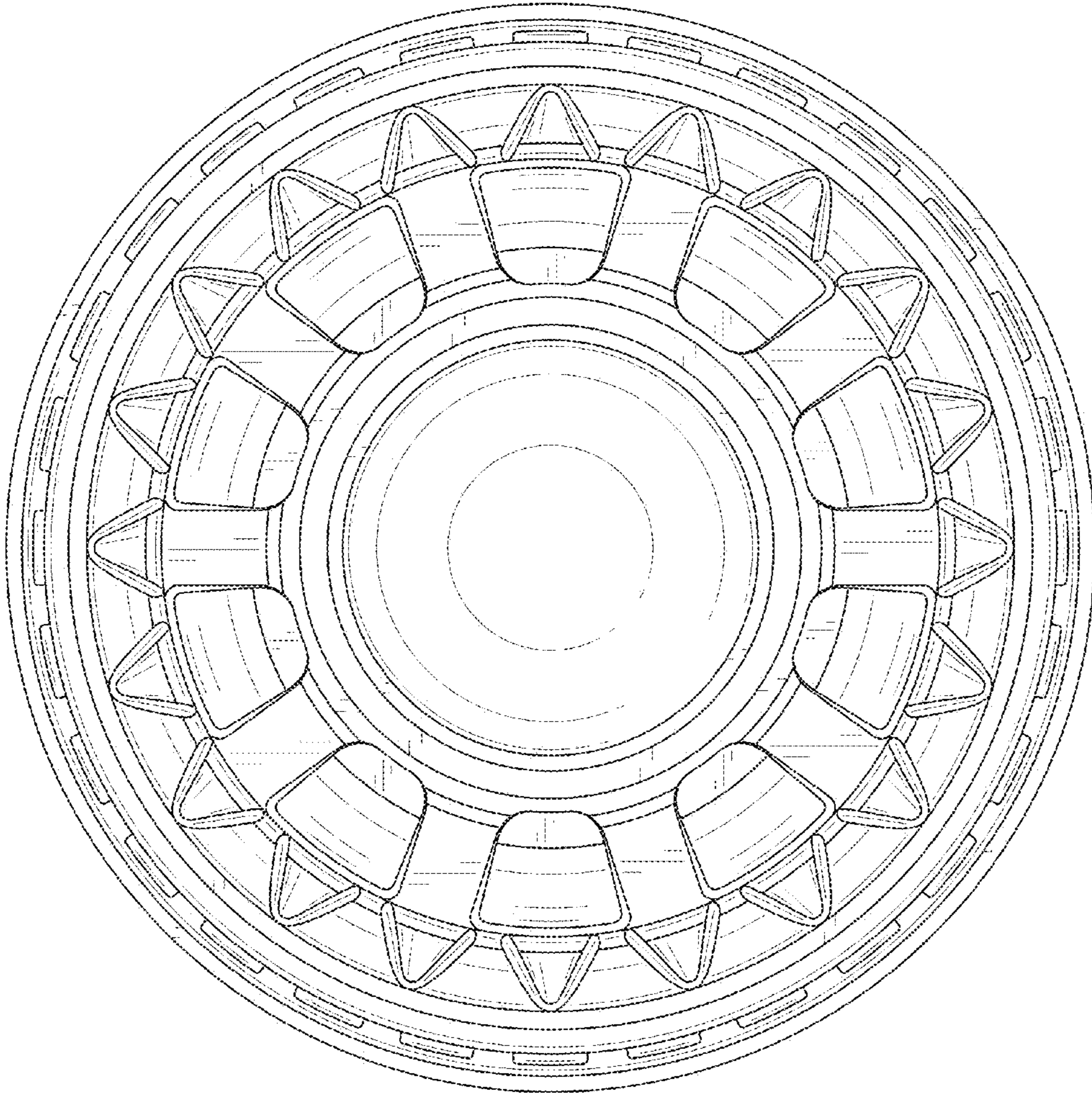


FIG. 2

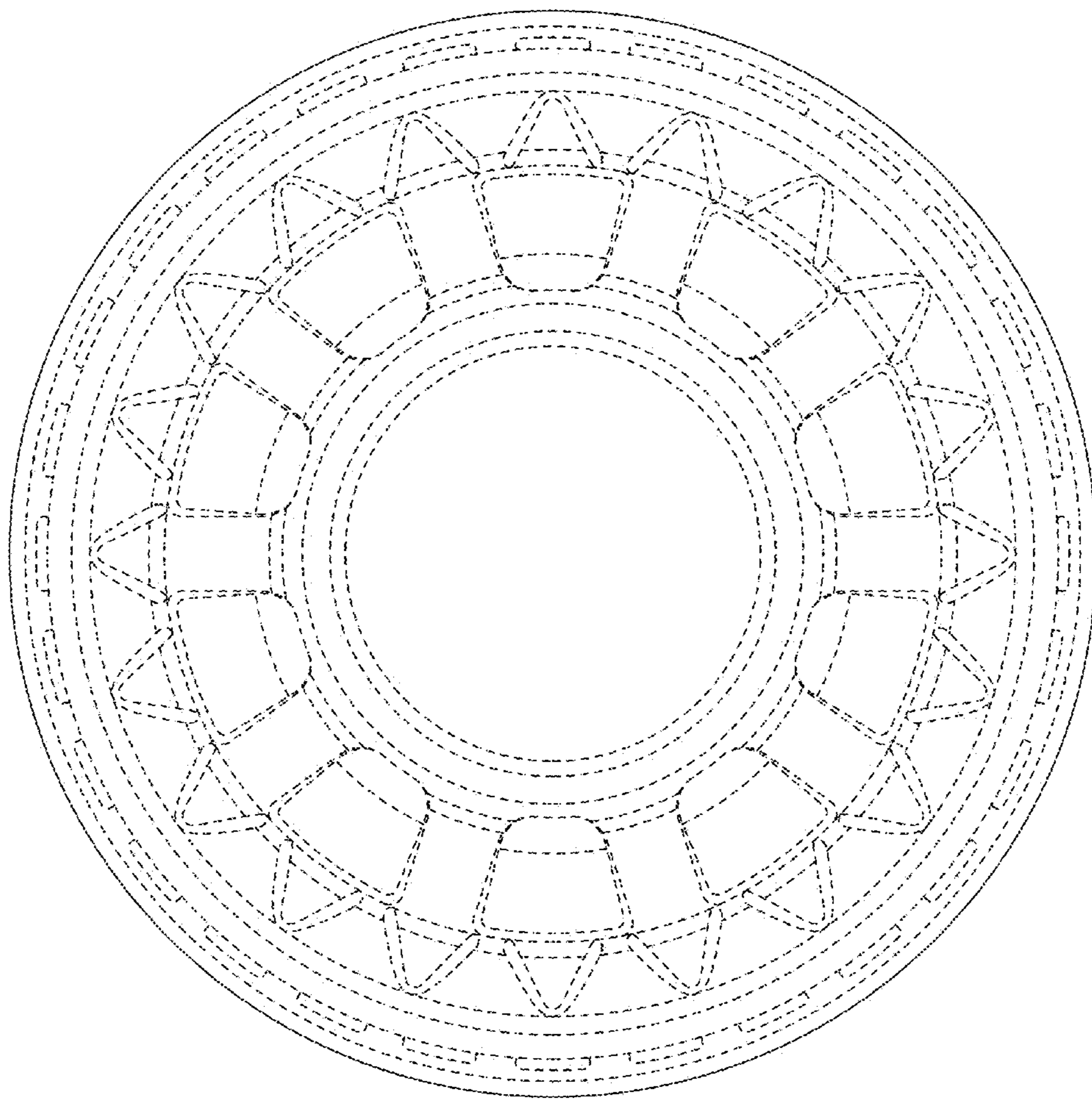


FIG. 3

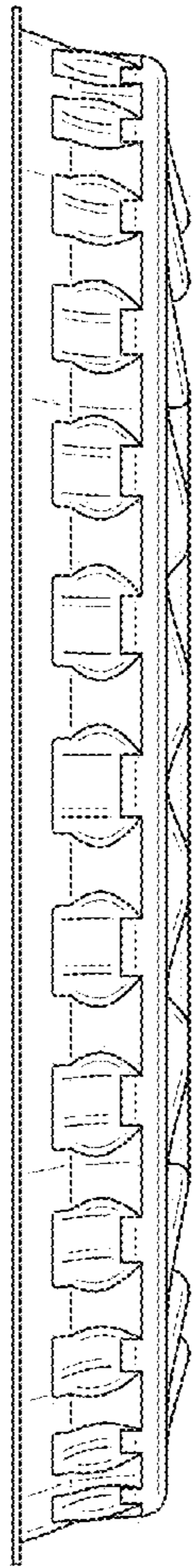


FIG. 4

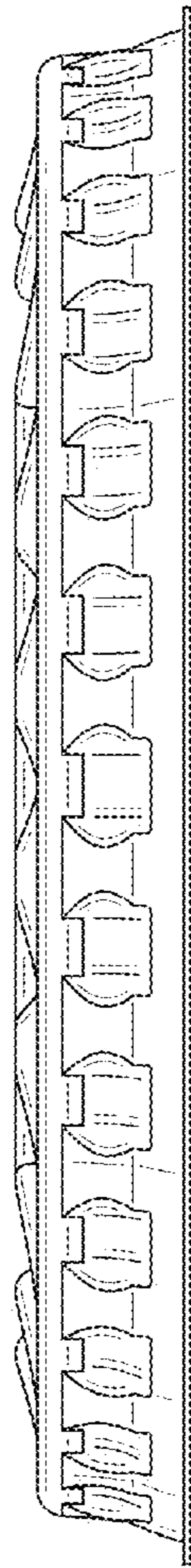


FIG. 5

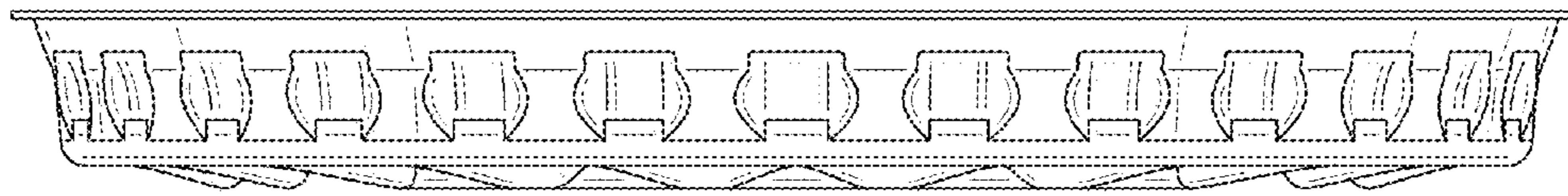


FIG. 6

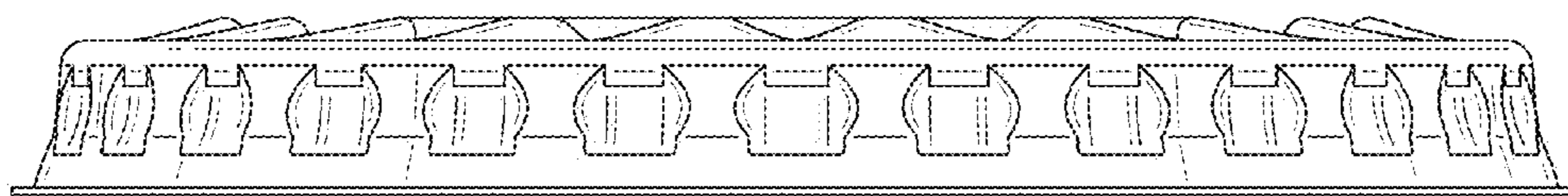


FIG. 7