

US00D766085S

(12) **United States Design Patent**  
**Smith**

(10) **Patent No.:** **US D766,085 S**

(45) **Date of Patent:** **\*\* Sep. 13, 2016**

(54) **CLOSURE**

(71) Applicant: **AptarGroup, Inc.**, Crystal Lake, IL  
(US)

(72) Inventor: **Kelly Smith**, East Troy, WI (US)

(73) Assignee: **AptarGroup, Inc.**, Crystal Lake, IL  
(US)

(\*\*) Term: **14 Years**

(21) Appl. No.: **29/524,675**

(22) Filed: **Apr. 22, 2015**

(51) **LOC (10) Cl.** ..... **09-07**

(52) **U.S. Cl.**  
USPC ..... **D9/449**

(58) **Field of Classification Search**  
USPC ..... D7/602, 705; D9/434-440, 443-445,  
D9/447, 449, 450, 452-454, 499;  
220/254.3, 258.4, 260, 361; 222/107,  
222/556  
CPC ..... B65D 2251/1041  
See application file for complete search history.

(56) **References Cited**

**U.S. PATENT DOCUMENTS**

D602,354 S *	10/2009	Dibnah .....	D9/435
D607,726 S *	1/2010	Wisniewski .....	D9/449
D608,196 S *	1/2010	Beilke .....	D9/449
D661,583 S *	6/2012	Santarelli .....	D9/449
D663,202 S *	7/2012	Biesecker .....	D9/449
D665,261 S *	8/2012	Mazurkiewicz .....	D9/449
D665,668 S *	8/2012	Cho .....	D9/448
D666,097 S *	8/2012	Cummings .....	D9/447
D673,044 S *	12/2012	Wisniewski .....	D9/443
D680,433 S *	4/2013	Lepage .....	D9/447
D696,944 S *	1/2014	Lepage .....	D9/449

D722,502 S *	2/2015	Landrum .....	D9/449
D729,623 S *	5/2015	Mazurkiewicz .....	D9/449
D735,037 S *	7/2015	Fox .....	D9/449
D739,236 S *	9/2015	Monbarren .....	D9/449
D743,790 S *	11/2015	Hussain .....	D9/447

\* cited by examiner

*Primary Examiner* — Robert M Spear

*Assistant Examiner* — Darcey E Heflin

(74) *Attorney, Agent, or Firm* — Wood, Phillips, Katz,  
Clark & Mortimer

(57) **CLAIM**

The ornamental design for a closure, as shown and described.

**DESCRIPTION**

FIG. 1 is an isometric view taken from the top front and right side of a closure in the closed condition;  
FIG. 2 is another isometric view thereof rotated about 90° from the view shown in FIG. 1;  
FIG. 3 is a front elevational view thereof;  
FIG. 4 is a right side elevational view thereof, the left side elevational view thereof being a mirror image;  
FIG. 5 is a top plan view thereof;  
FIG. 6 is a rear elevational view thereof; and,  
FIGS. 7-12 shows a second embodiment of the closure, the views being oriented identically as FIGS. 1-6, respectively. The undisclosed bottom view is unornamented, is not visible to the consumer when the closure is installed on a container (not shown), and forms no part of the claimed ornamental design.  
The broken lines in the drawings define certain boundaries of the claimed ornamental design, and represent unclaimed subject matter.

**1 Claim, 12 Drawing Sheets**

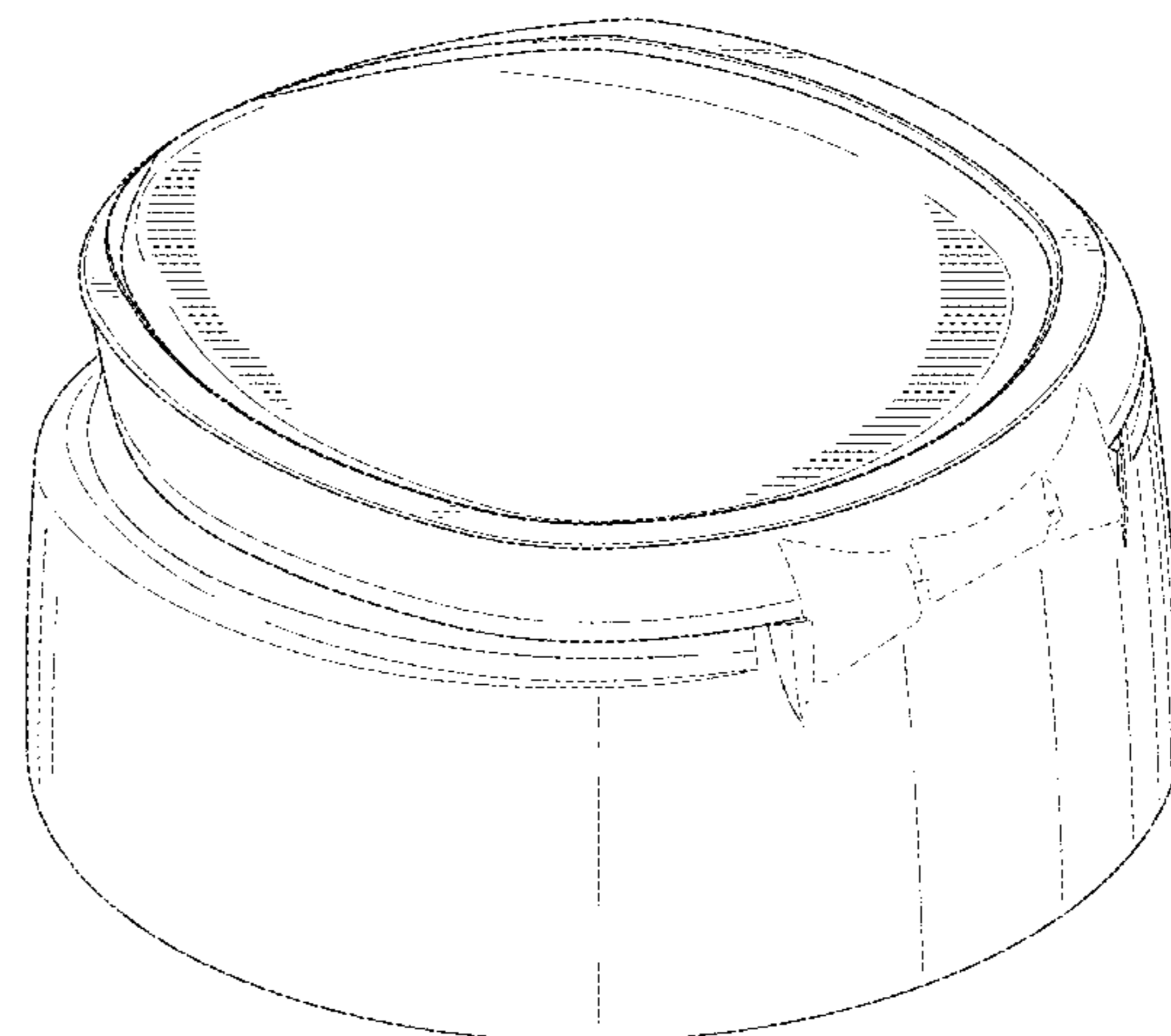
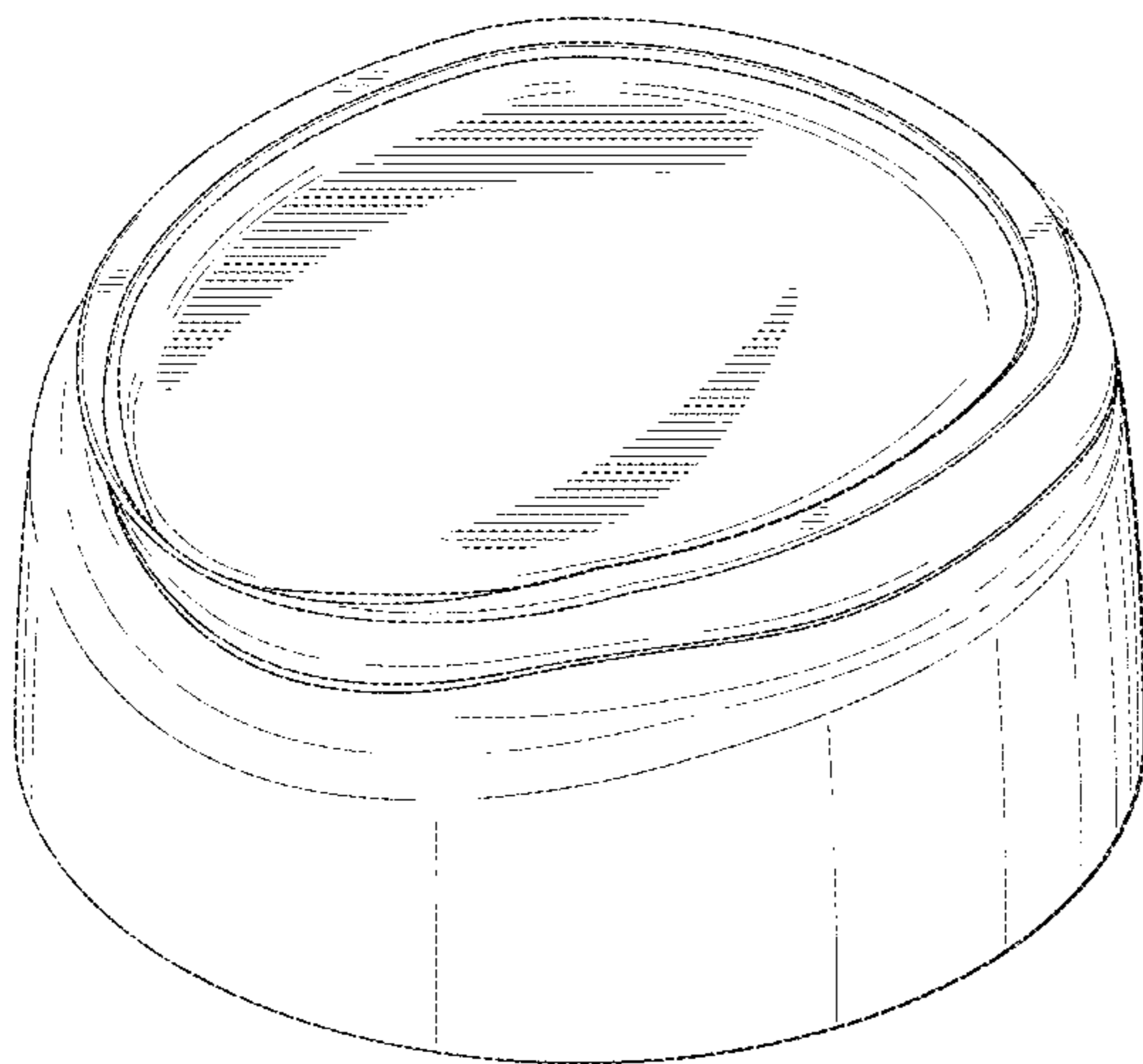


Fig. 1

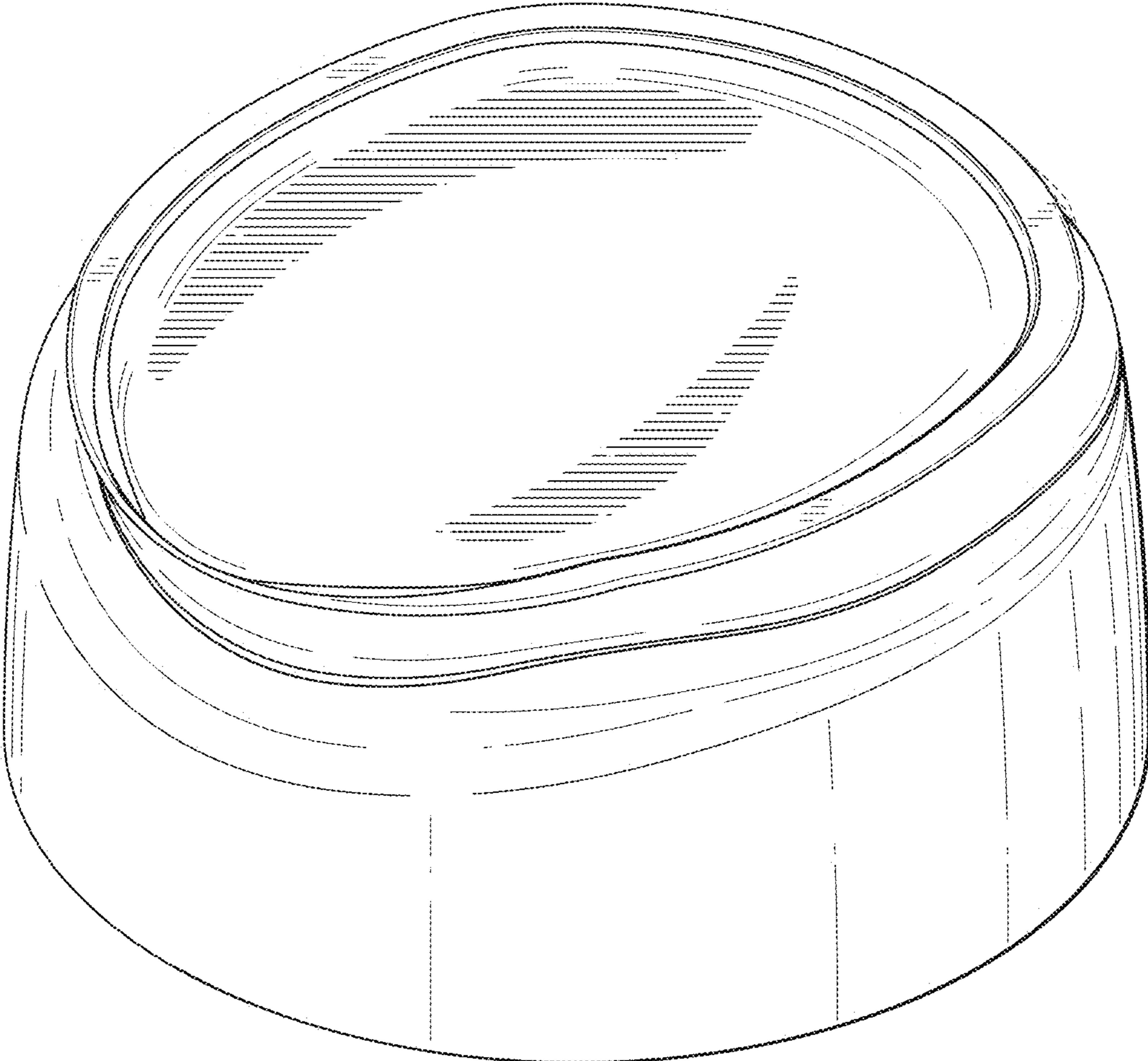


Fig. 2

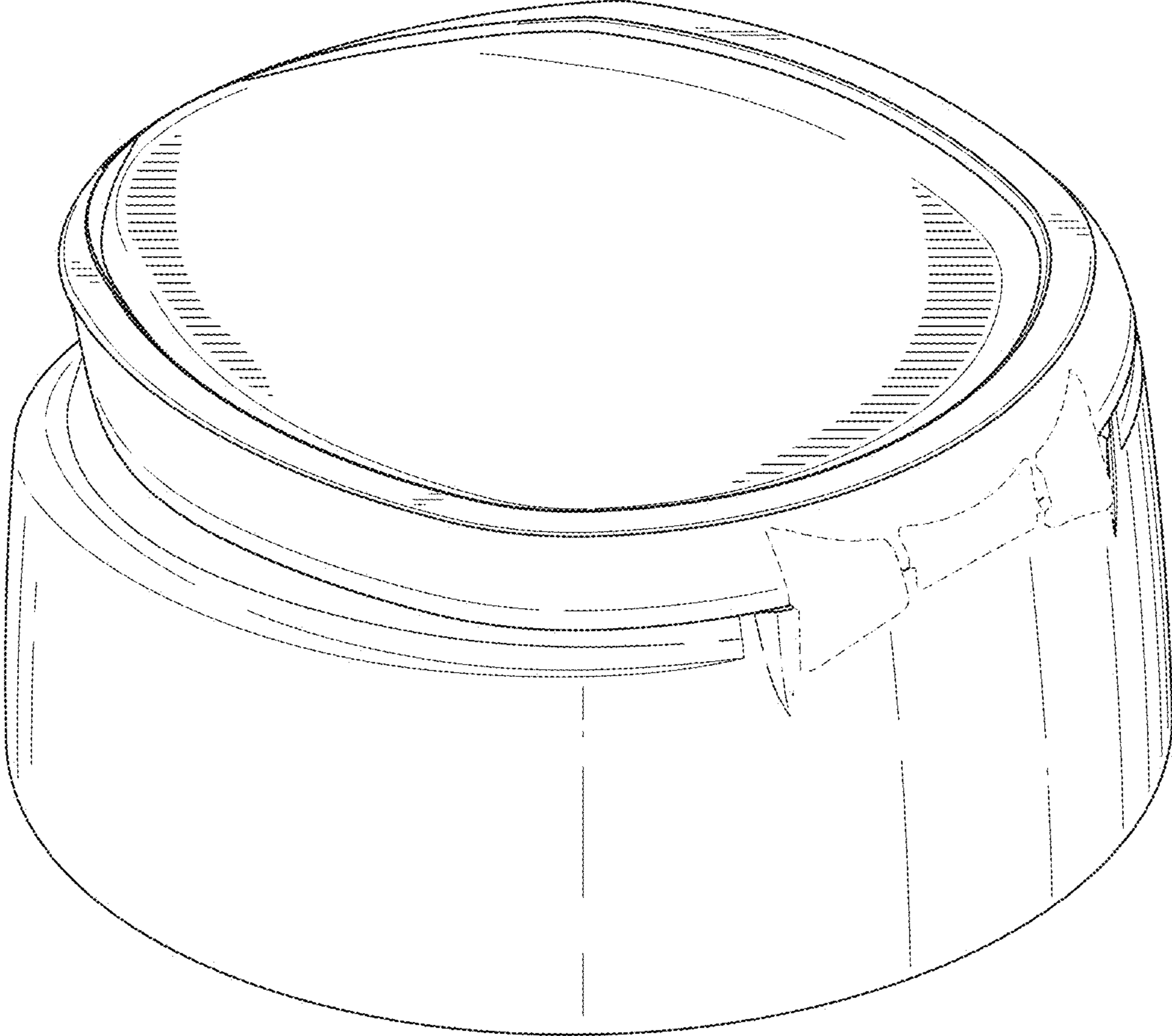


Fig. 3

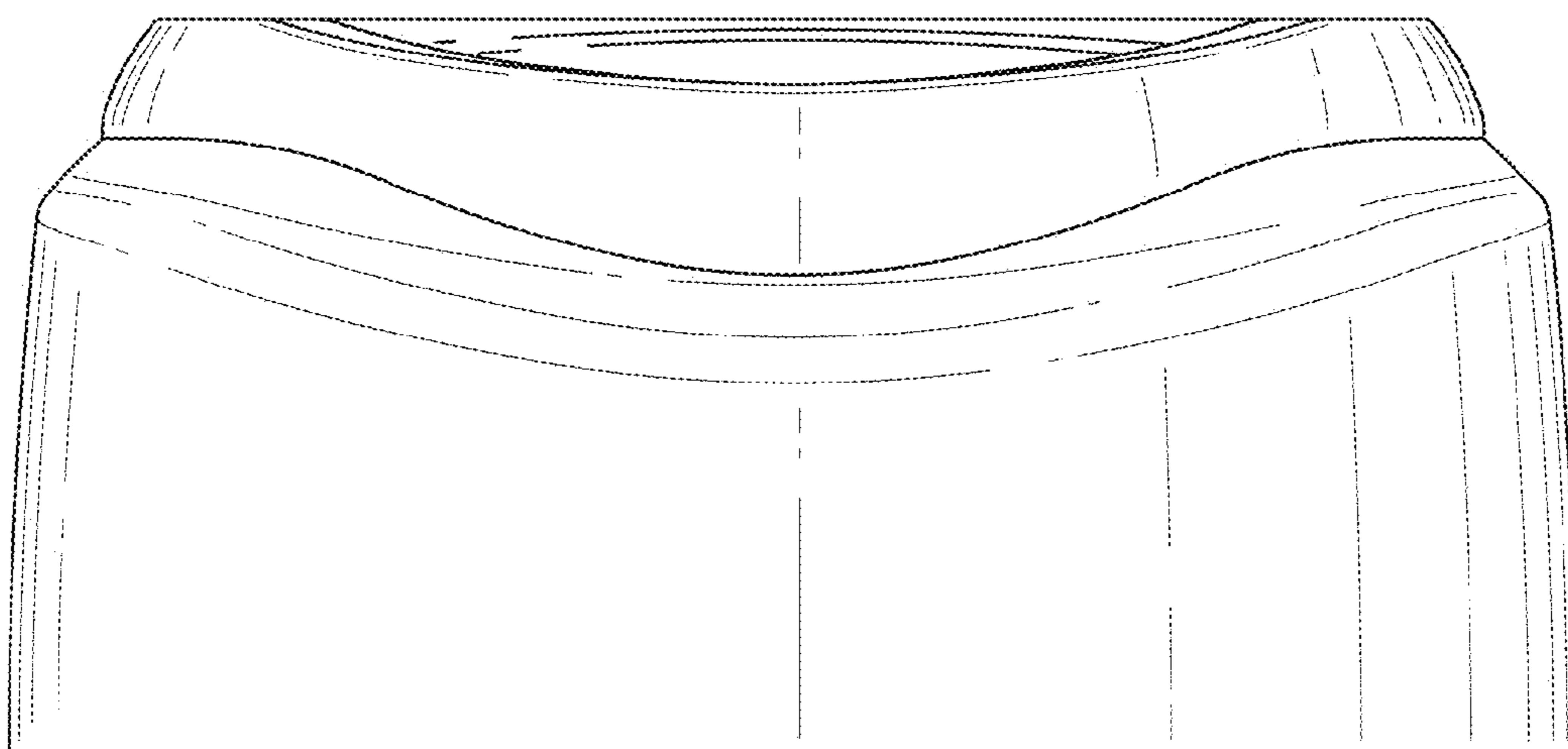


Fig. 4

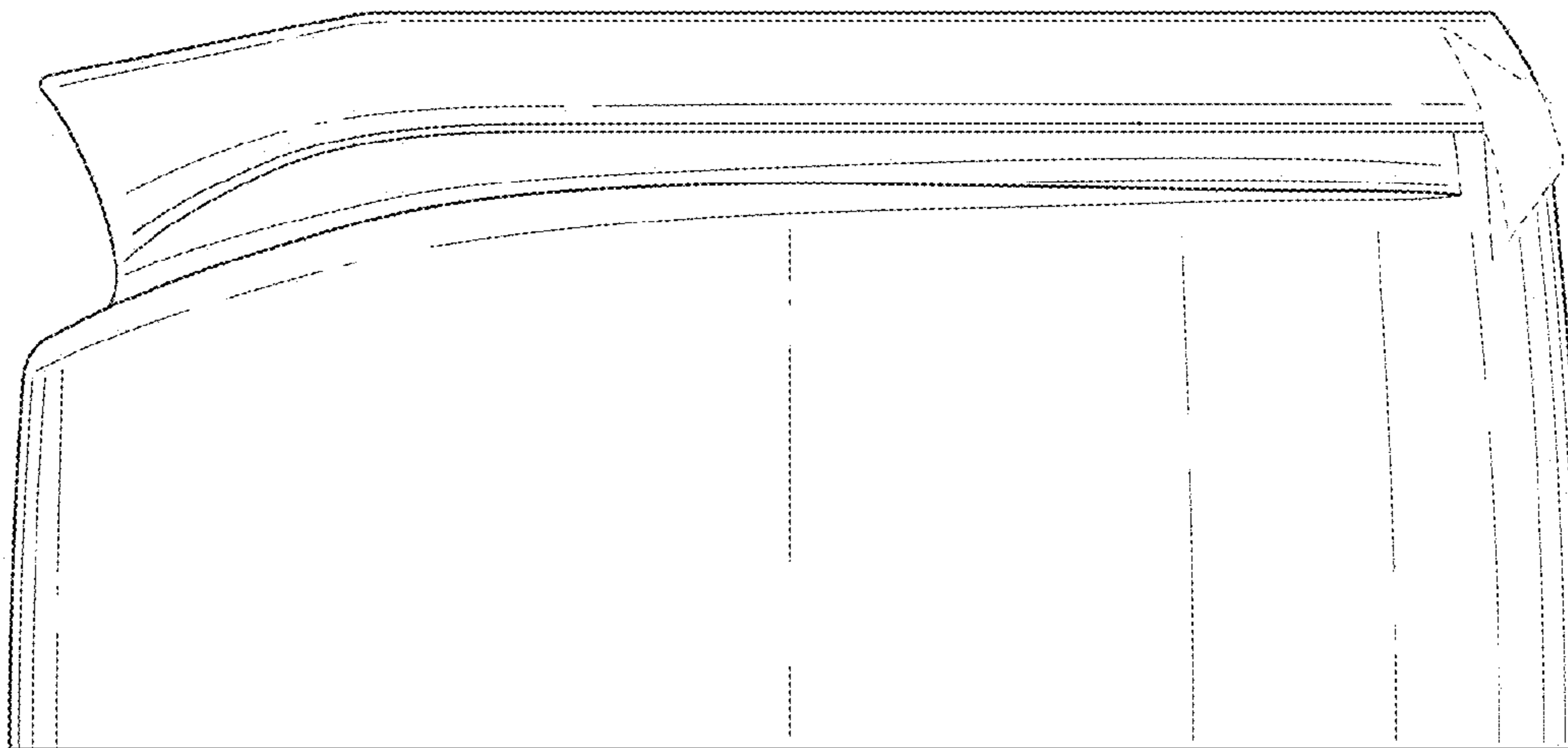


Fig. 5

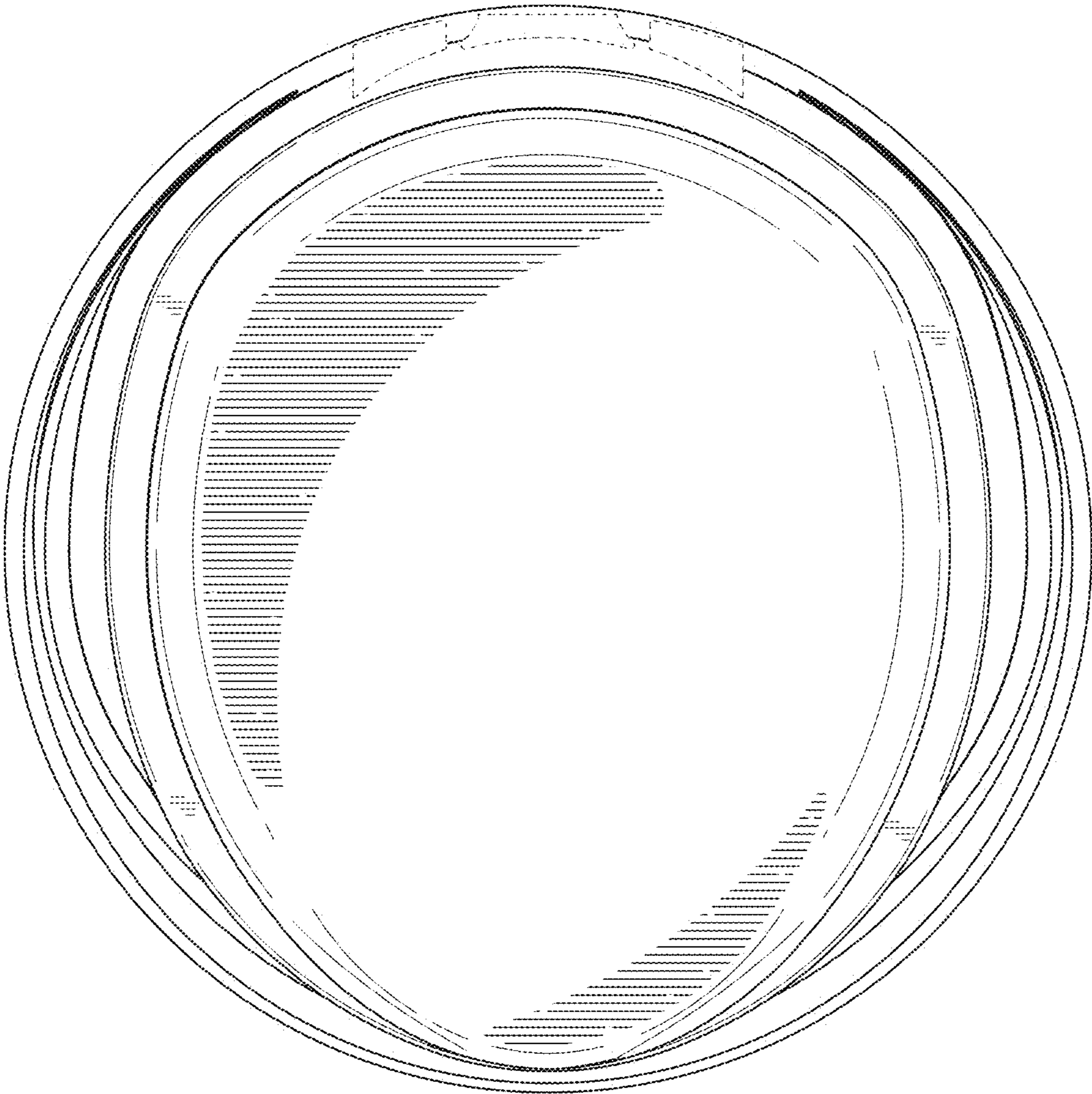


Fig. 6

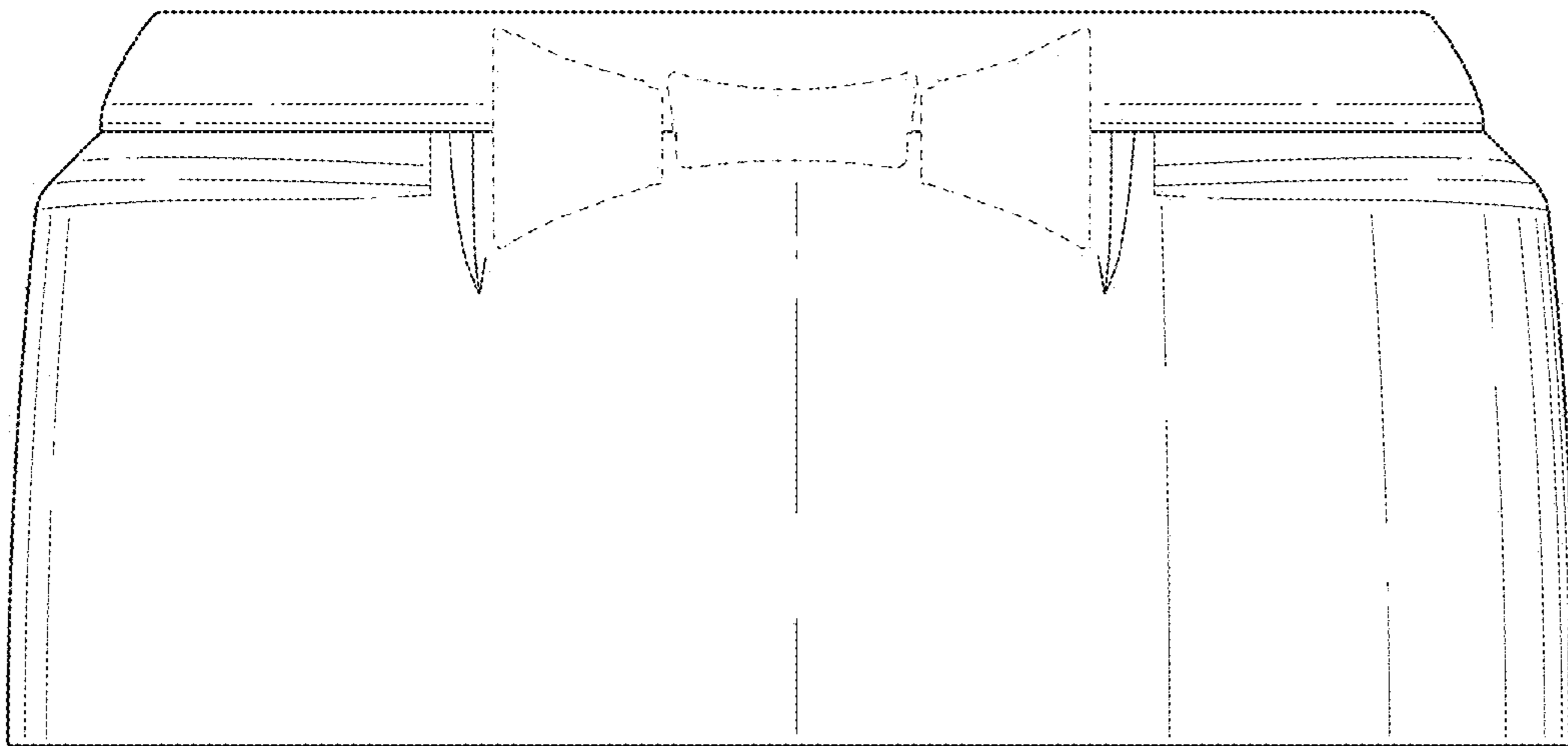


Fig. 7

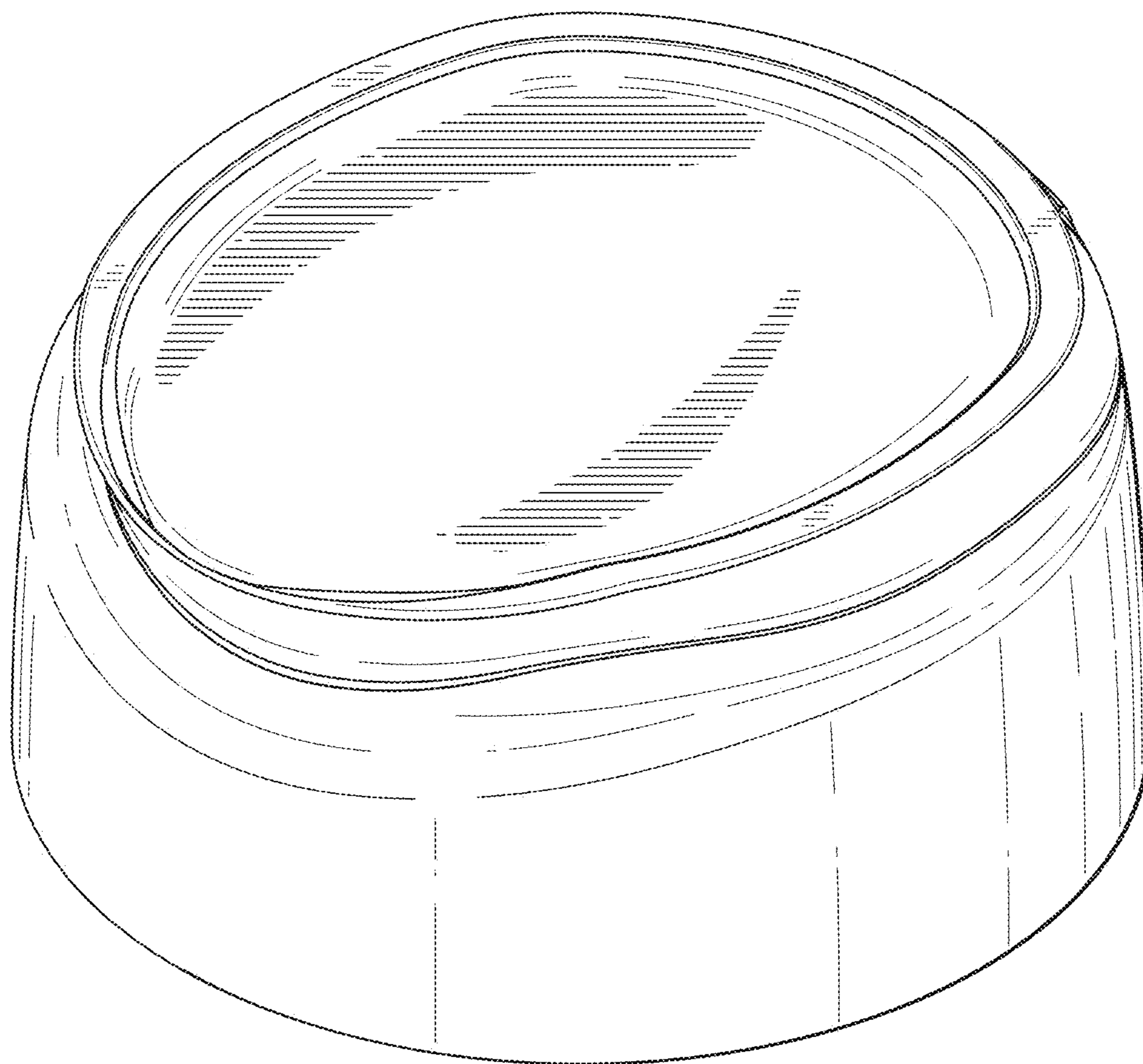




Fig. 8

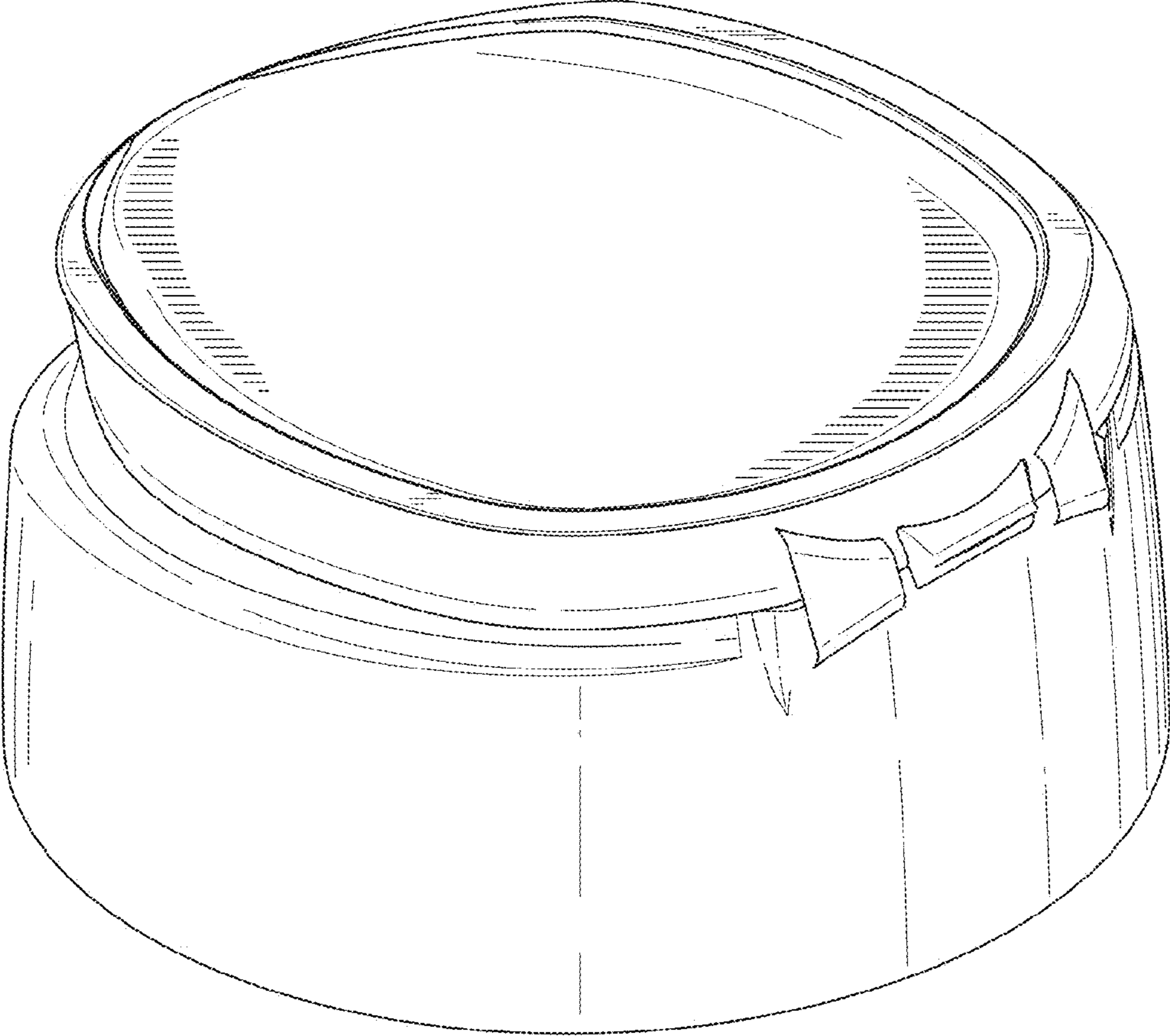


Fig. 9

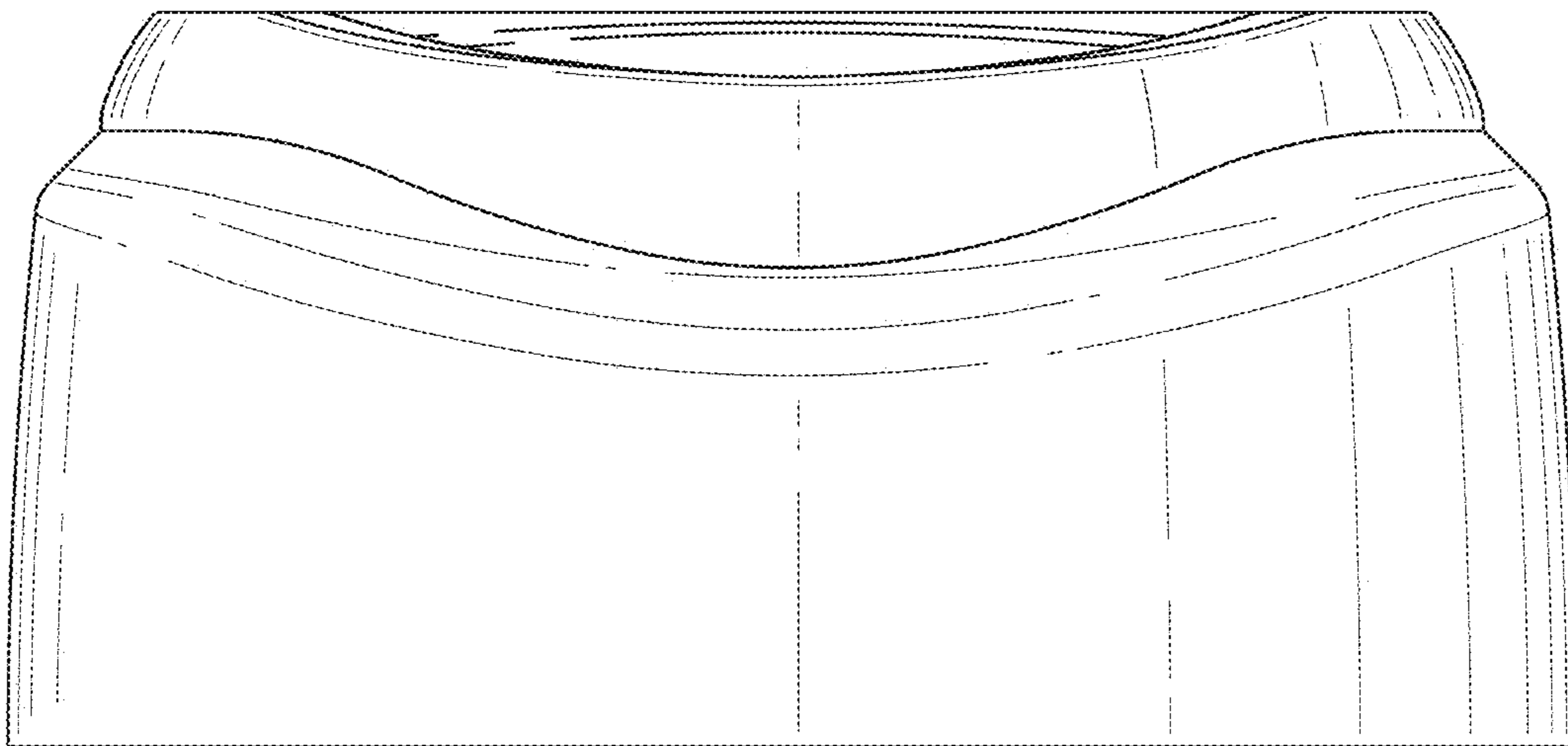


Fig. 10

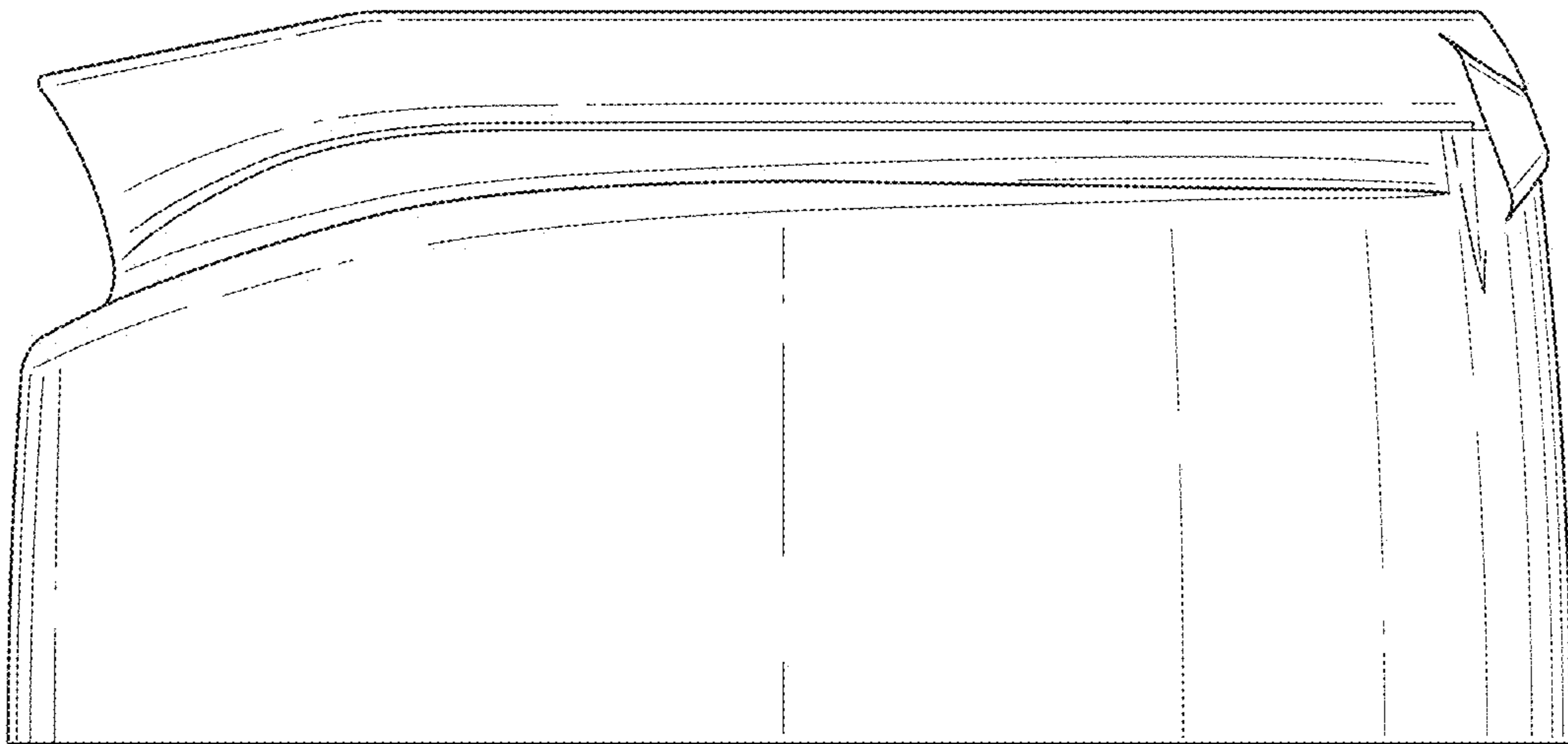


Fig. 11

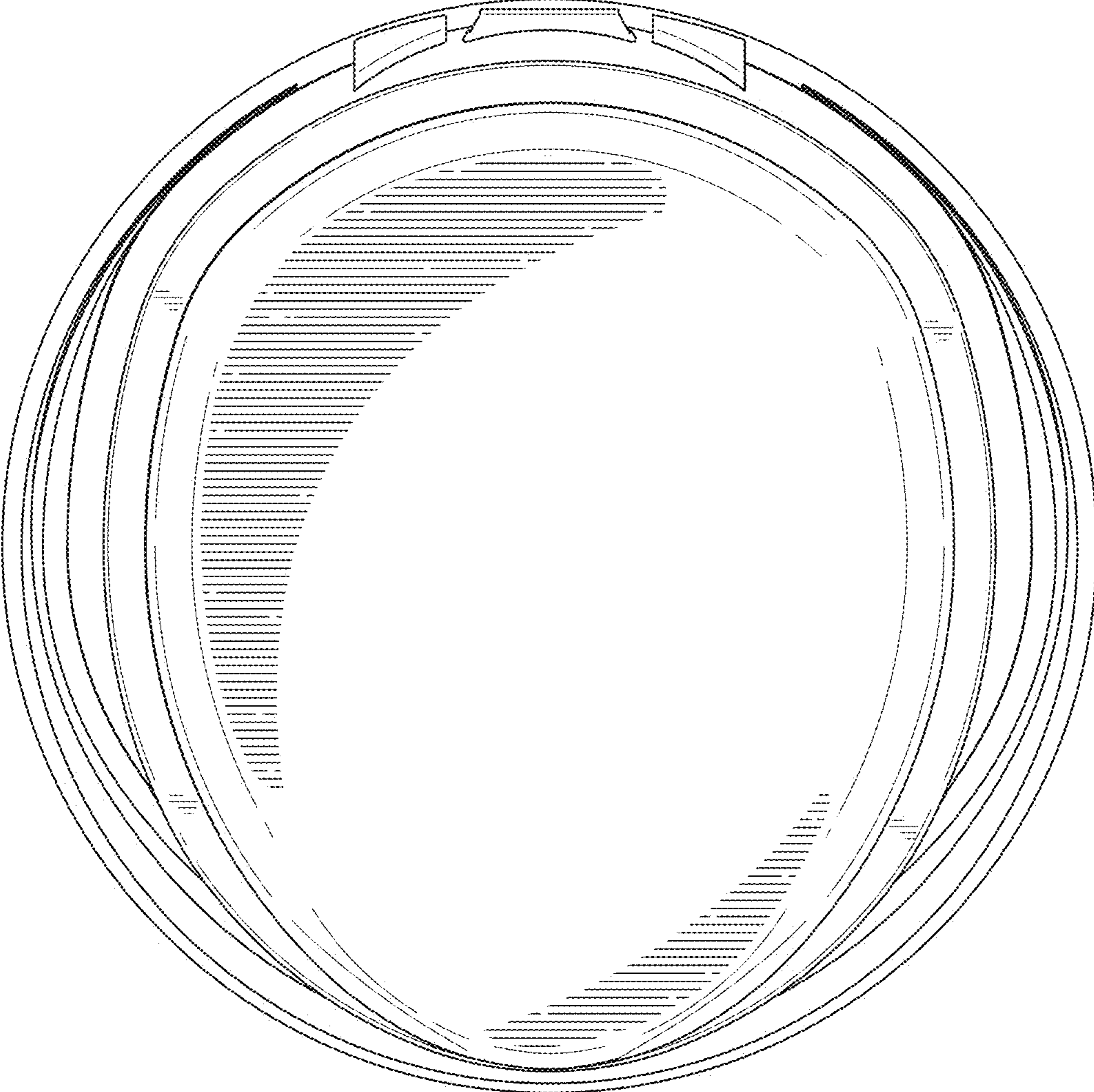


Fig. 12

