



US00D766084S

(12) **United States Design Patent** (10) **Patent No.:** **US D766,084 S**
Jiang (45) **Date of Patent:** **** Sep. 13, 2016**

(54) **OVERCAP**
(71) Applicant: **S. C. Johnson & Son, Inc.**, Racine, WI (US)
(72) Inventor: **Nathaniel Jiang**, Chicago, IL (US)
(73) Assignee: **S. C. Johnson & Son, Inc.**, Racine, WI (US)
(**) Term: **15 Years**

D478,285 S * 8/2003 Pannozzo D9/448
6,758,373 B2 7/2004 Jackson et al.
D509,136 S * 9/2005 Walters D9/447
D516,909 S * 3/2006 Bloc D9/434
7,036,691 B2 5/2006 Nicolas
D532,302 S * 11/2006 Moretti D9/448
D536,969 S * 2/2007 Geier D9/448
D551,077 S * 9/2007 Bloc D9/448
7,487,891 B2 2/2009 Yerby et al.
D587,576 S * 3/2009 Miller D9/448
7,699,190 B2 4/2010 Hygema
7,757,905 B2 7/2010 Strand et al.
D627,638 S * 11/2010 Bodet D9/448

(Continued)

(21) Appl. No.: **29/540,168**

(22) Filed: **Sep. 21, 2015**

(51) **LOC (10) Cl.** **09-07**

(52) **U.S. Cl.**
USPC **D9/448**

(58) **Field of Classification Search**
USPC D9/429, 434, 435, 443-450, 452, 454, D9/499, 553, 554, 559, 561; D7/387, 392, D7/393, 396.2, 396.4, 509, 510, 511, 514; D3/202, 203.2, 223, 264, 294, 304, 318
CPC A61J 1/00; A61J 1/1412; B65D 1/00; B65D 1/02; B65D 1/10; B65D 1/46; B65D 2585/56; B65D 2585/545; B65D 41/00; B65D 41/56; B65D 41/62; B65D 47/06; B65D 47/08; B65D 2543/00046
See application file for complete search history.

(56) **References Cited**

U.S. PATENT DOCUMENTS

3,651,993 A 3/1972 Venus
3,675,831 A 7/1972 Beres
3,738,536 A 6/1973 Gach
3,747,807 A 7/1973 Gach
3,773,227 A 11/1973 Laing et al.
3,779,427 A 12/1973 Ewald
3,804,302 A 4/1974 Yamada et al.
D434,658 S * 12/2000 Geier D9/448

FOREIGN PATENT DOCUMENTS

WO 03095330 A1 11/2003
WO 2004020313 A1 3/2004

(Continued)

Primary Examiner — Karen S Acker
Assistant Examiner — Wendy Arminio

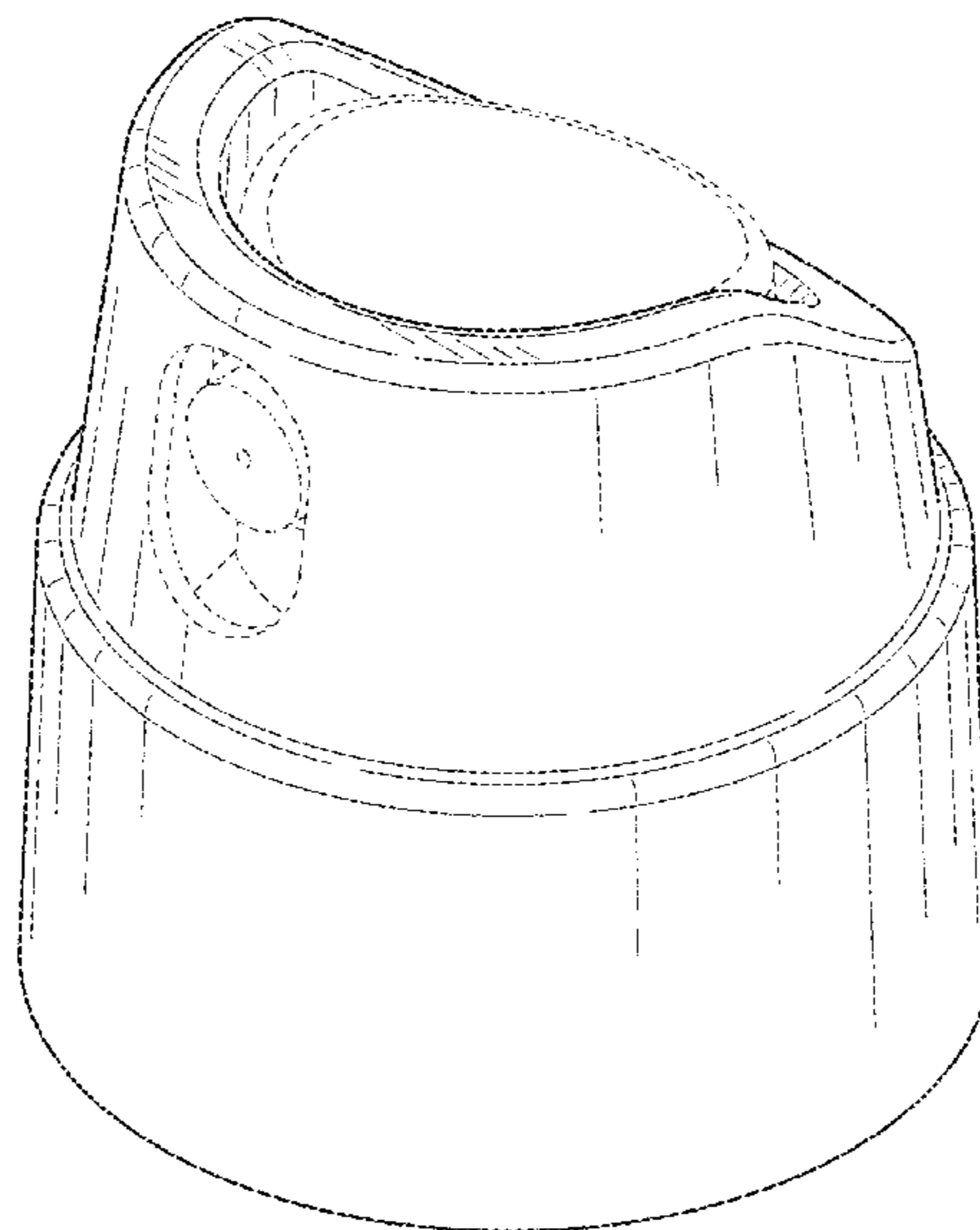
(57) **CLAIM**

The ornamental design for an overcap, as shown and described.

DESCRIPTION

FIG. 1 is an isometric view of a top, front, and right side of an overcap;
FIG. 2 is a front elevational view of the overcap of FIG. 1;
FIG. 3 is a rear elevational view of the overcap of FIG. 1;
FIG. 4 is a right side elevational view of the overcap of FIG. 1;
FIG. 5 is a left side elevational view of the overcap of FIG. 1; and,
FIG. 6 is a top plan view of the overcap of FIG. 1.
The broken lines depict portions of the article that form no part of the claimed design.

1 Claim, 4 Drawing Sheets



(56)

References Cited

U.S. PATENT DOCUMENTS

D640,555 S * 6/2011 Williams D9/447
 D649,047 S * 11/2011 Baker D9/435
 8,100,298 B2 1/2012 Marquardt et al.
 8,127,968 B2 3/2012 Yerby et al.
 D664,432 S * 7/2012 Jordan D9/448
 D665,668 S * 8/2012 Cho D9/448
 D666,491 S * 9/2012 Adams B65D 83/205
 D9/445
 8,403,184 B2 3/2013 Eberhardt et al.
 D680,432 S * 4/2013 Geier D9/448
 8,418,892 B2 4/2013 Geier
 D684,052 S * 6/2013 Bakic D9/448
 8,517,227 B2 8/2013 Strand et al.
 D716,654 S * 11/2014 Dubitsky D9/435
 D721,275 S * 1/2015 Thijssen D9/448
 D746,680 S * 1/2016 Orasche D9/448
 D750,492 S * 3/2016 Campbell D9/448
 2005/0218164 A1 10/2005 Morris et al.
 2006/0118658 A1 6/2006 Corkhill et al.

2007/0051754 A1 3/2007 Strand et al.
 2007/0290007 A1 12/2007 Eberhardt
 2008/0251543 A1 10/2008 Eberhardt et al.
 2012/0037668 A1 2/2012 Bicknell et al.
 2014/0183228 A1 7/2014 Decea et al.
 2014/0231467 A1 8/2014 Betts et al.
 2014/0291353 A1 10/2014 Betts et al.
 2014/0299148 A1 10/2014 Betts et al.

FOREIGN PATENT DOCUMENTS

WO 2004020314 A1 3/2004
 WO 2004078635 A2 9/2004
 WO 2006058626 A1 6/2006
 WO 2007022422 A2 2/2007
 WO 2008085896 A2 7/2008
 WO 2010052168 A1 5/2010
 WO 2013068190 A1 5/2013
 WO 2013068191 A1 5/2013
 WO 2013068219 A1 5/2013

* cited by examiner

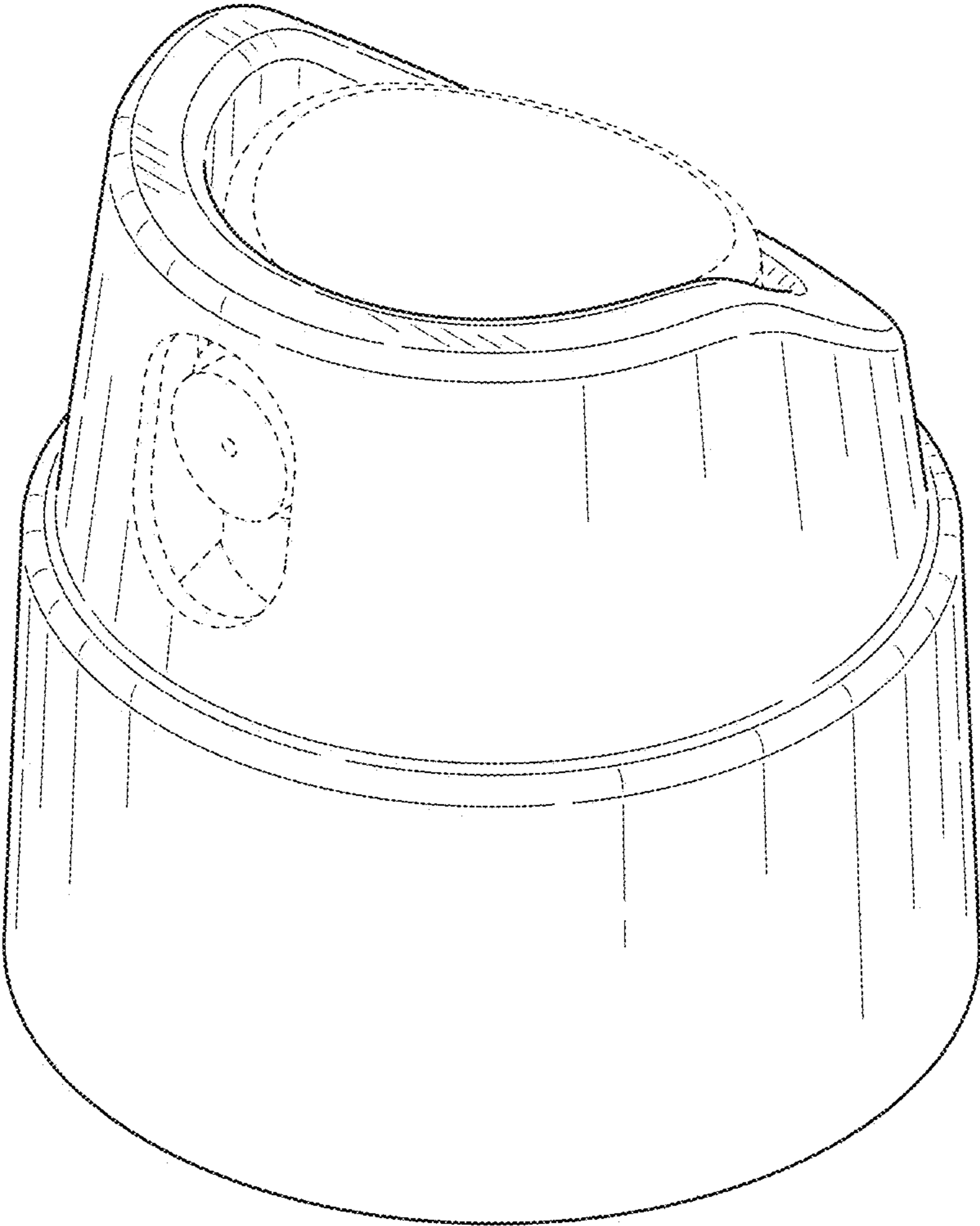


FIG. 1

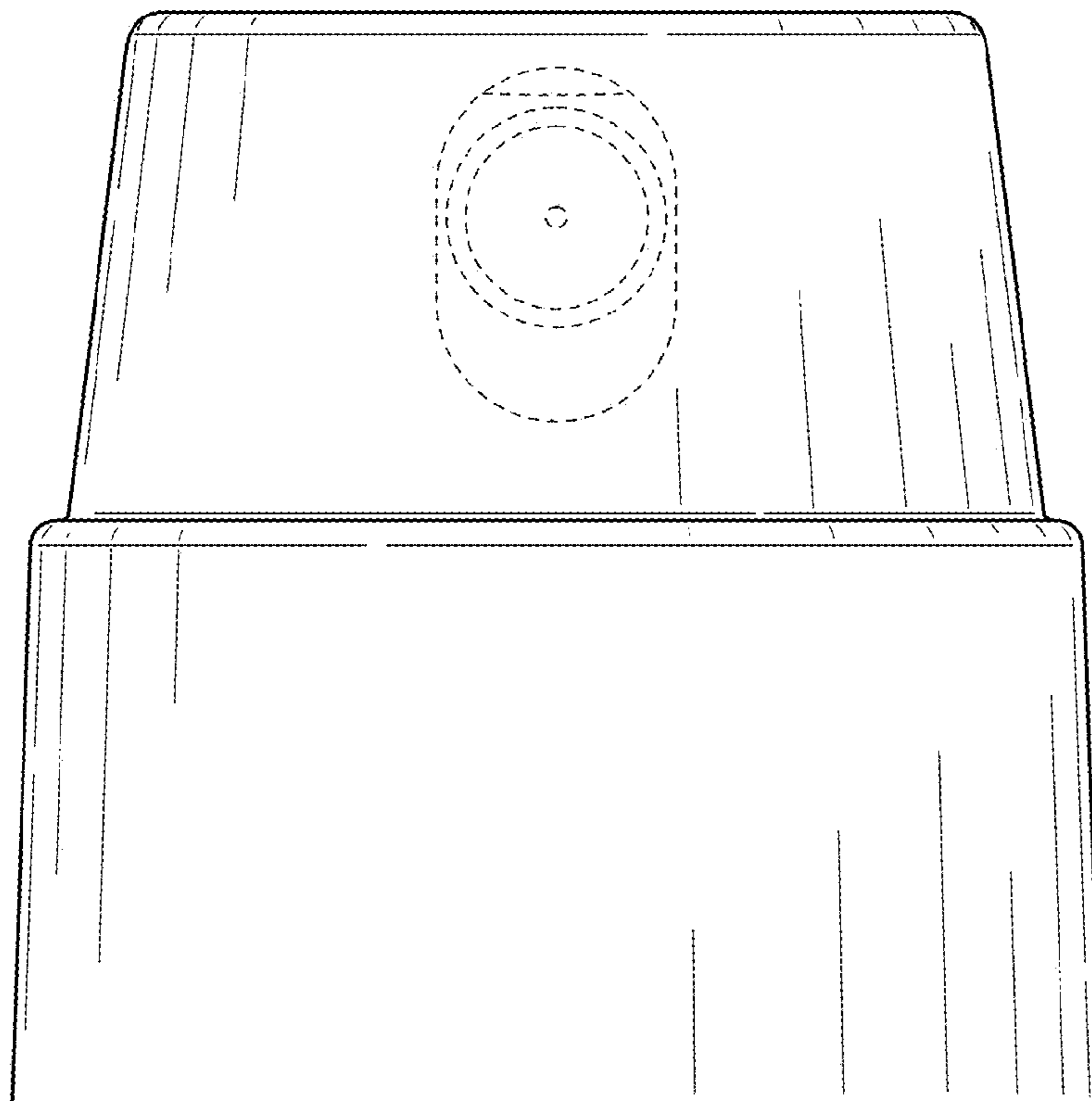


FIG. 2

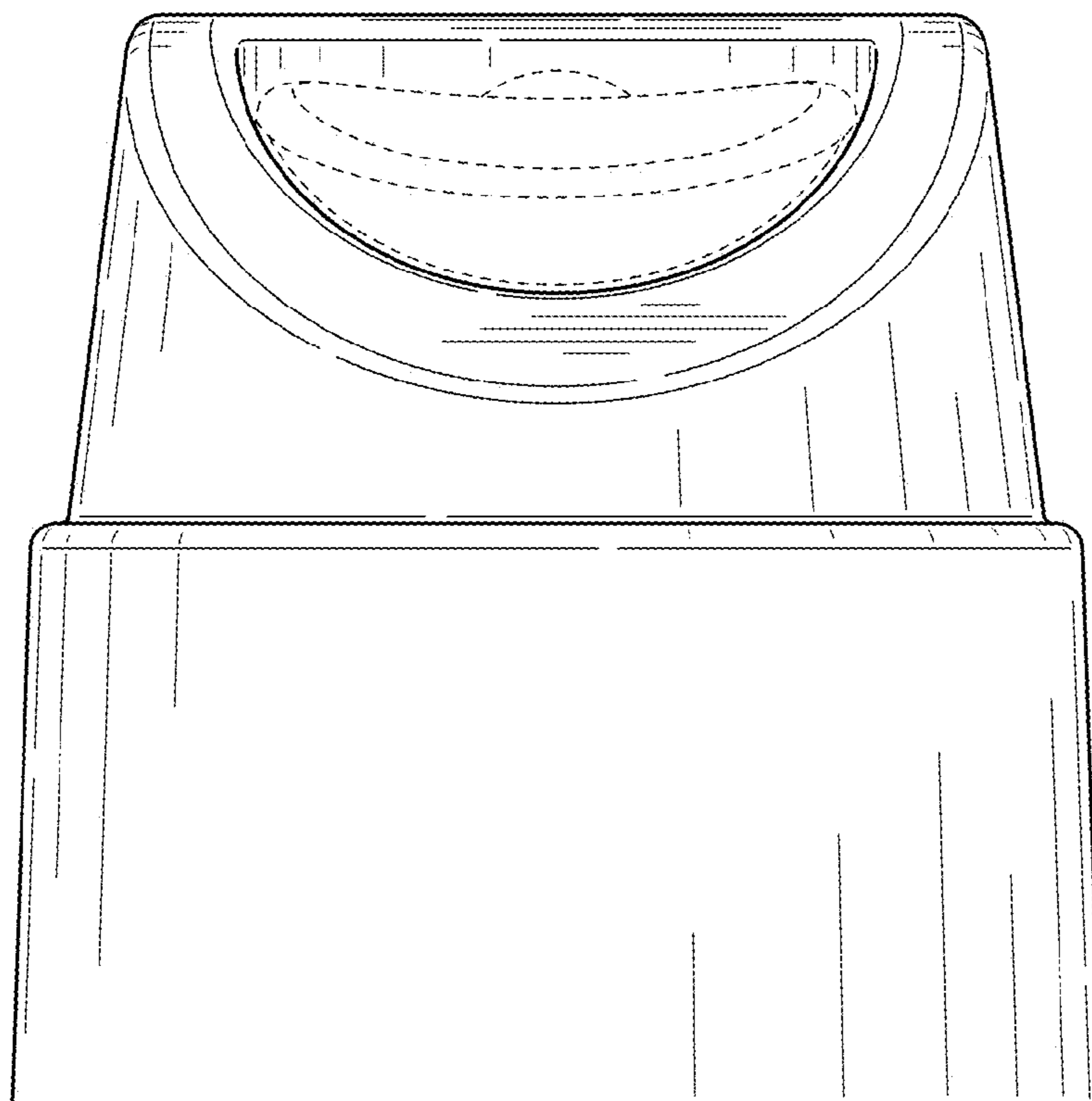


FIG. 3

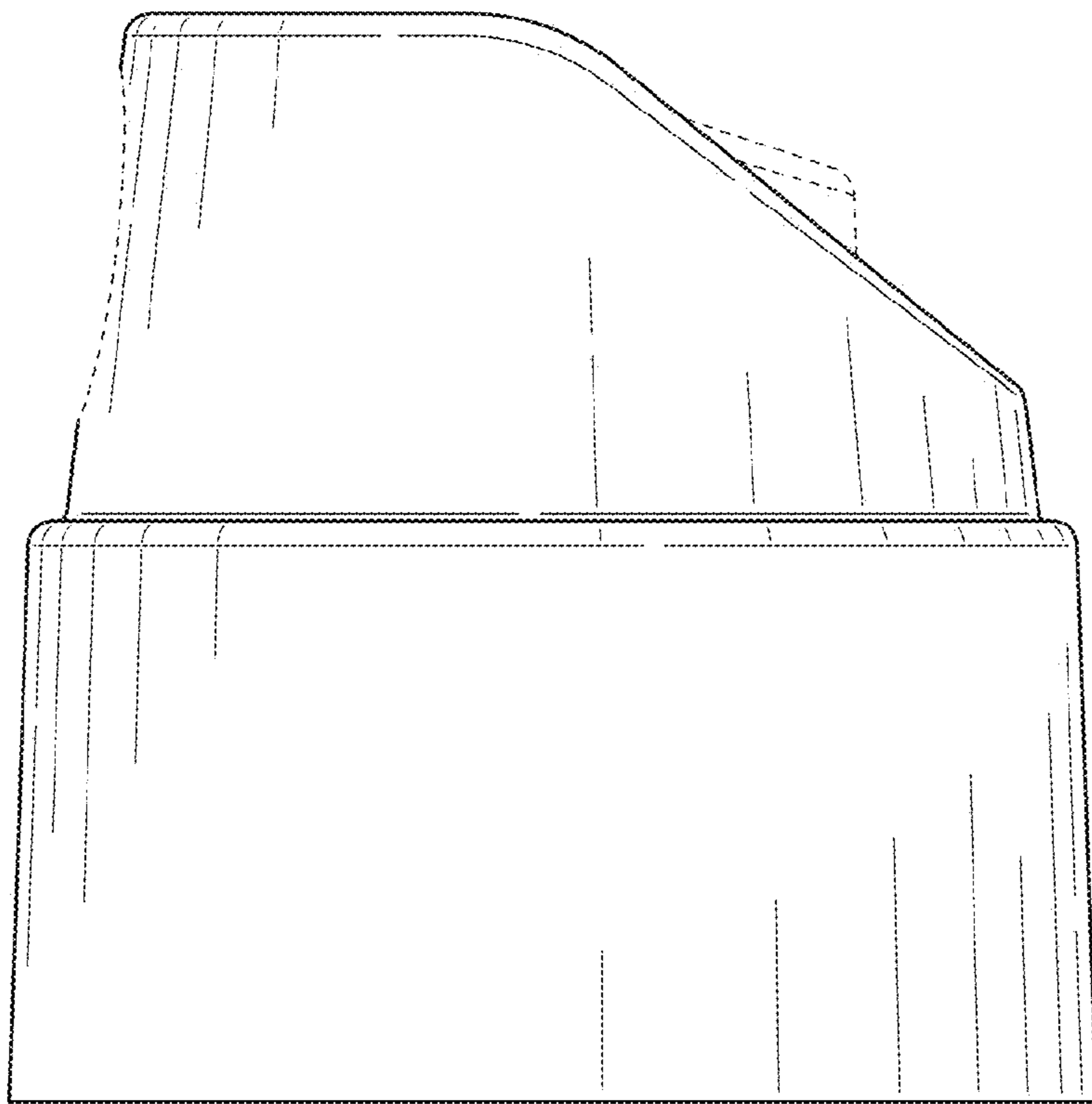


FIG. 4

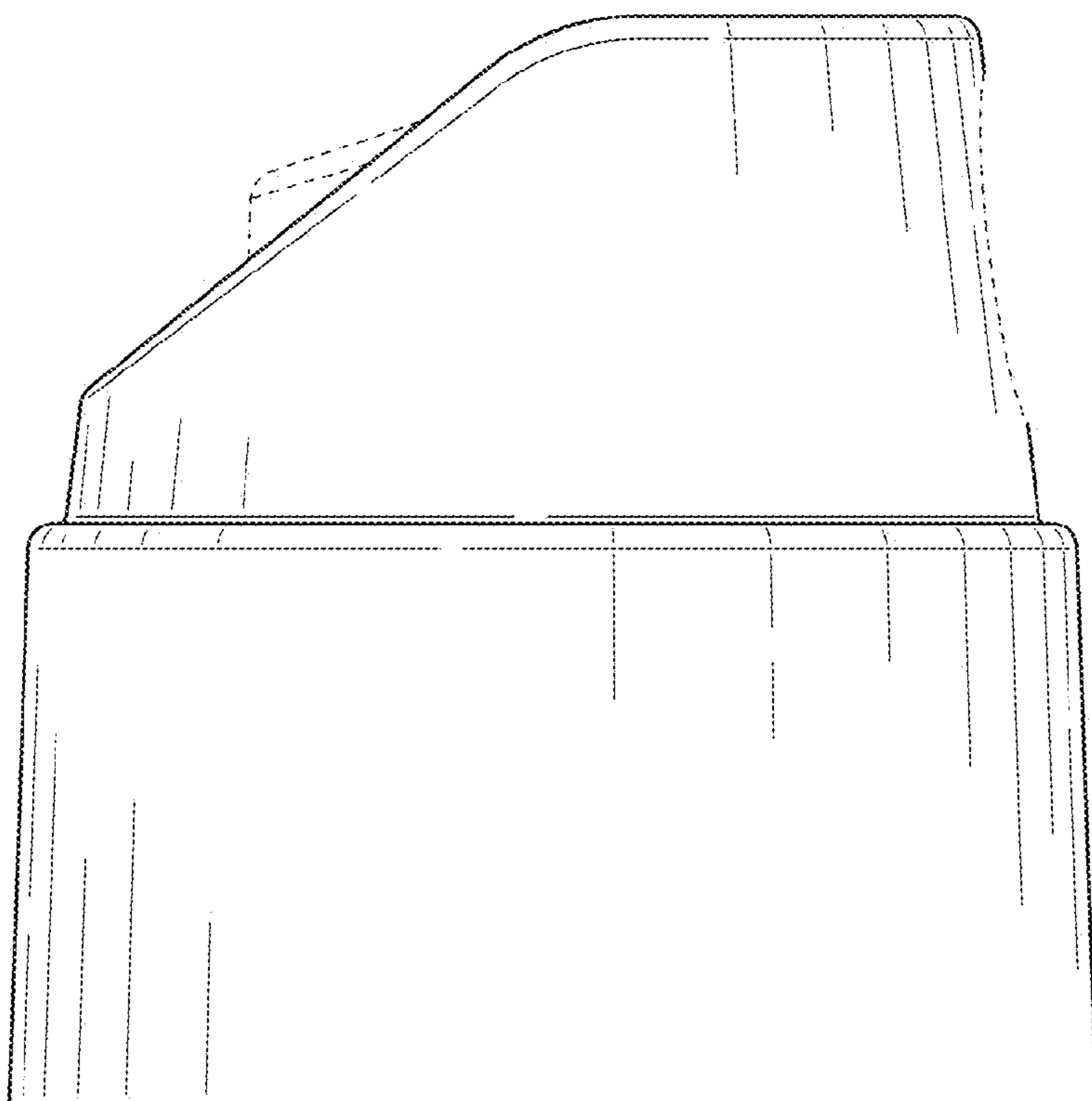


FIG. 5

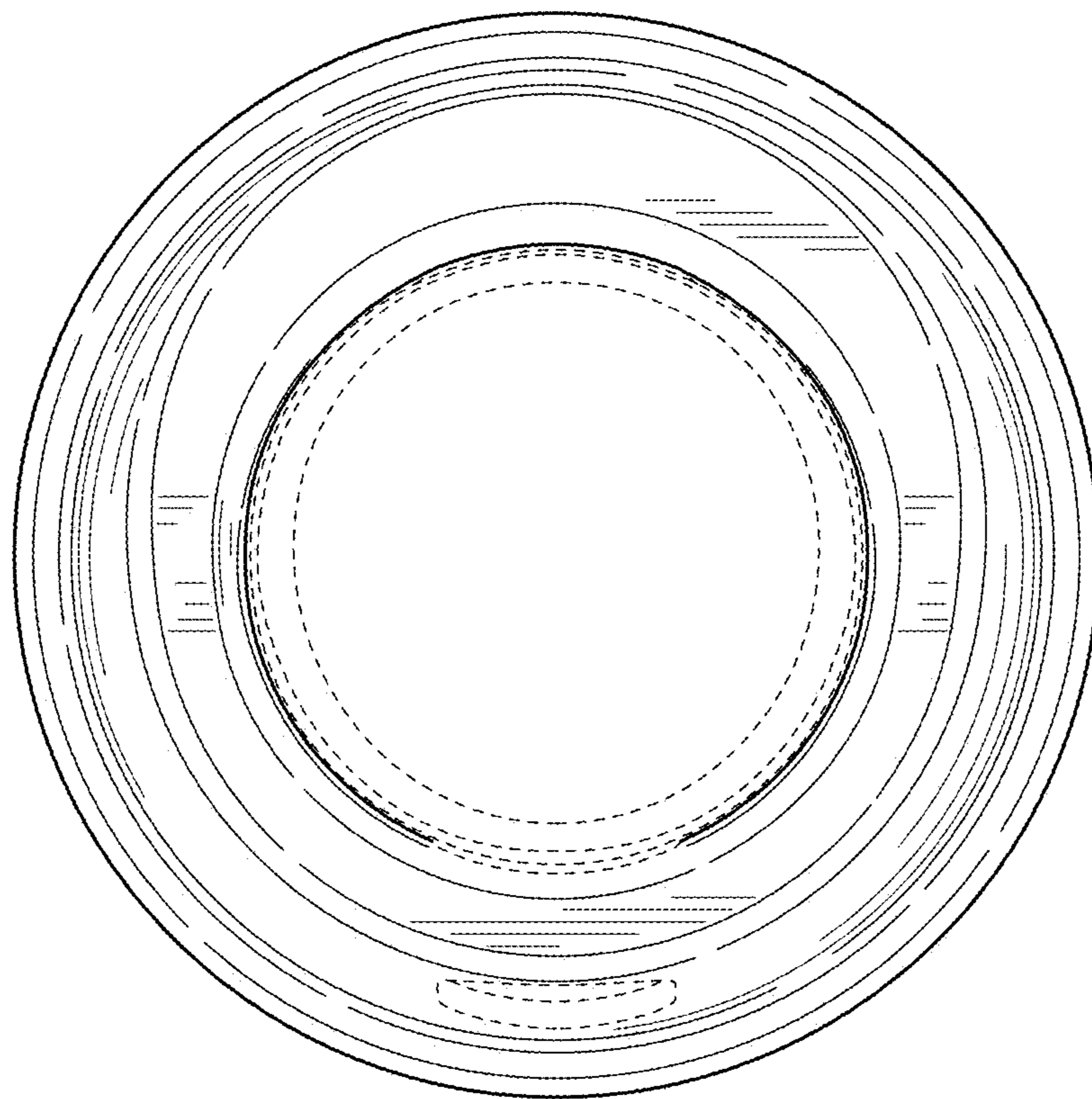


FIG. 6