



US00D766083S

(12) **United States Design Patent**
Trettin et al.

(10) **Patent No.:** **US D766,083 S**
(45) **Date of Patent:** **** Sep. 13, 2016**

- (54) **FLUID DISPENSER**
- (71) Applicant: **David S. Smith America, Inc.**, Lester Prairie, MN (US)
- (72) Inventors: **Bradley L. Trettin**, Buffalo Lake, MN (US); **Michael Maher**, Hutchinson, MN (US)
- (73) Assignee: **David S. Smith America, Inc.**, Lester Prairie, MN (US)

- 2009/0078721 A1* 3/2009 Hoffman B65D 77/06 222/1
- 2010/0282345 A1* 11/2010 Richards B67D 3/044 137/588
- 2011/0174842 A1* 7/2011 Nini B67D 3/043 222/213
- 2013/0270305 A1 10/2013 Richards et al.
- 2014/0076927 A1* 3/2014 Brooks B65D 77/067 222/105
- 2015/0048111 A1* 2/2015 Bellmore B65D 47/247 222/105
- 2015/0069094 A1* 3/2015 Maher D65D 11/22 222/511

(**) Term: **14 Years**

(21) Appl. No.: **29/491,758**

(22) Filed: **May 23, 2014**

(51) **LOC (10) Cl.** **09-07**

(52) **U.S. Cl.**
USPC **D9/440; D9/443**

(58) **Field of Classification Search**
USPC D9/434, 435, 436, 437, 439, 440, 443, D9/444, 445, 447, 449, 450, 453, 499; D7/313; 222/511, 514
CPC B65D 47/32; B65D 47/283; B65D 11/12; B65D 11/22; B67D 3/00
See application file for complete search history.

(56) **References Cited**

U.S. PATENT DOCUMENTS

- 3,191,820 A * 6/1965 Kuster B65D 47/2037 222/490
- 3,595,445 A * 7/1971 Buford B65D 47/2025 222/213
- 6,648,186 B2* 11/2003 Roethel B67D 3/043 222/509
- 7,726,525 B2 6/2010 Nini
- 8,113,239 B2* 2/2012 Richards B67D 3/044 137/587
- D676,320 S 2/2013 Richards et al.
- 8,459,510 B2 6/2013 Richards et al.
- 8,517,229 B2 8/2013 Nini
- 8,602,387 B2 12/2013 Wrigley et al.
- 8,690,026 B2 4/2014 Richards et al.

OTHER PUBLICATIONS

U.S. Appl. No. 62/002,377, filed May 23, 2014.
Performance dispensing for all types of packaging, Push Taps—DS Smith Plastics, available mid-Oct. 2013, <http://www.dssmith.com/plastics/offering/flexible-packaging--dispensing-solutions/world-wide-dispensers/in-stock-solutions/push-taps/>.
Goode, Finding Closure, Wines & Vines, Aug. 2008, <http://www.winesandvines.com/template.cfm?content=57269§ion=features>.

* cited by examiner

Primary Examiner — Robert M Spear
(74) *Attorney, Agent, or Firm* — Vidas, Arrett & Steinkraus

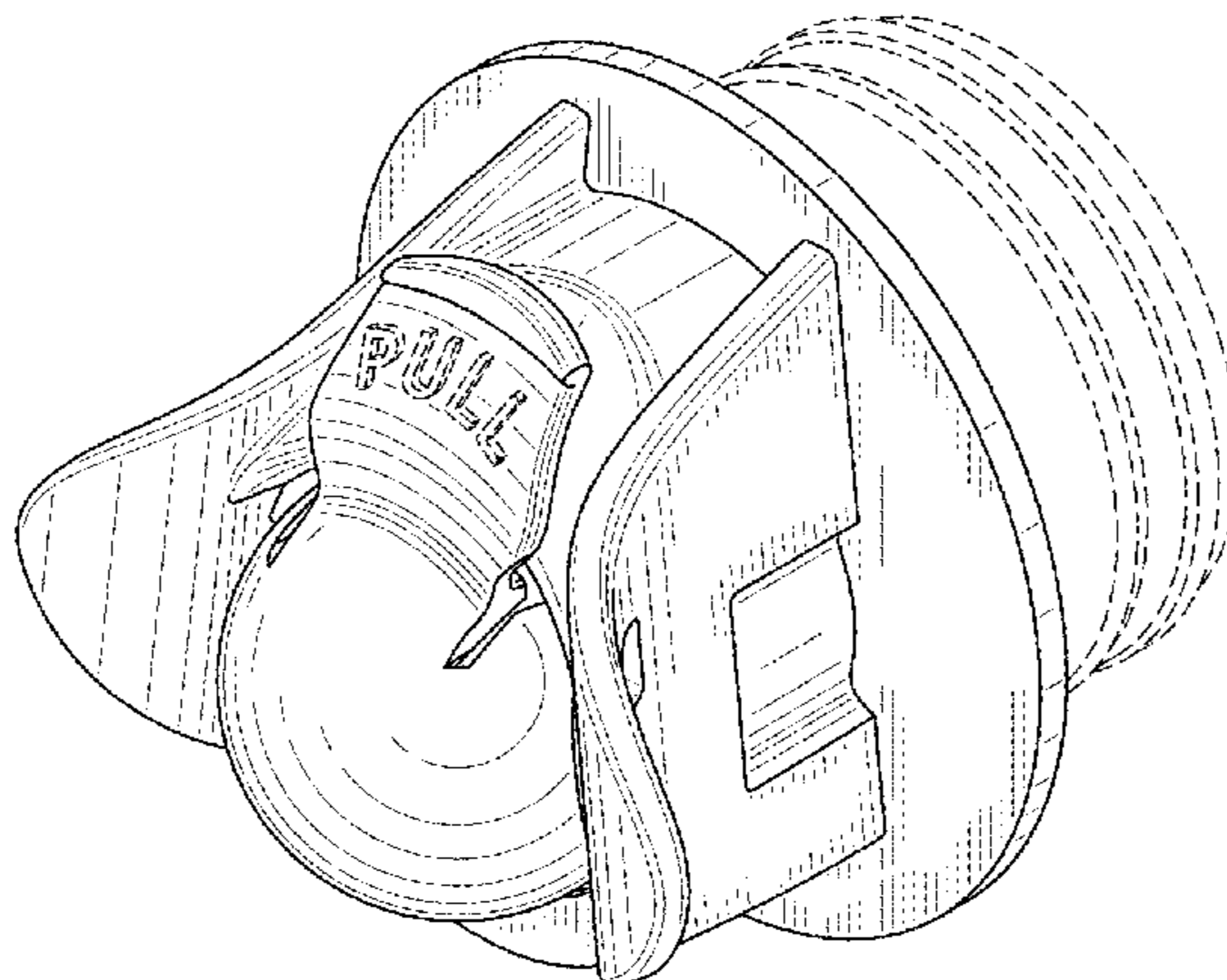
(57) **CLAIM**

The ornamental design for a fluid dispenser, as shown and described.

DESCRIPTION

FIG. 1 is a three-dimensional view of the fluid dispenser with cap.
FIG. 2 is a front view of the fluid dispenser of FIG. 1.
FIG. 3 is a back view of the fluid dispenser of FIG. 1.
FIG. 4 is a side view of the fluid dispenser of FIG. 1.
FIG. 5 is a side view of the fluid dispenser of FIG. 1.
FIG. 6 is a top view of the fluid dispenser of FIG. 1; and, FIG. 7 is a bottom view of the fluid dispenser of FIG. 1.
The broken line showing of elements of a fluid dispenser depicts environment and forms no part of the claim.

1 Claim, 4 Drawing Sheets



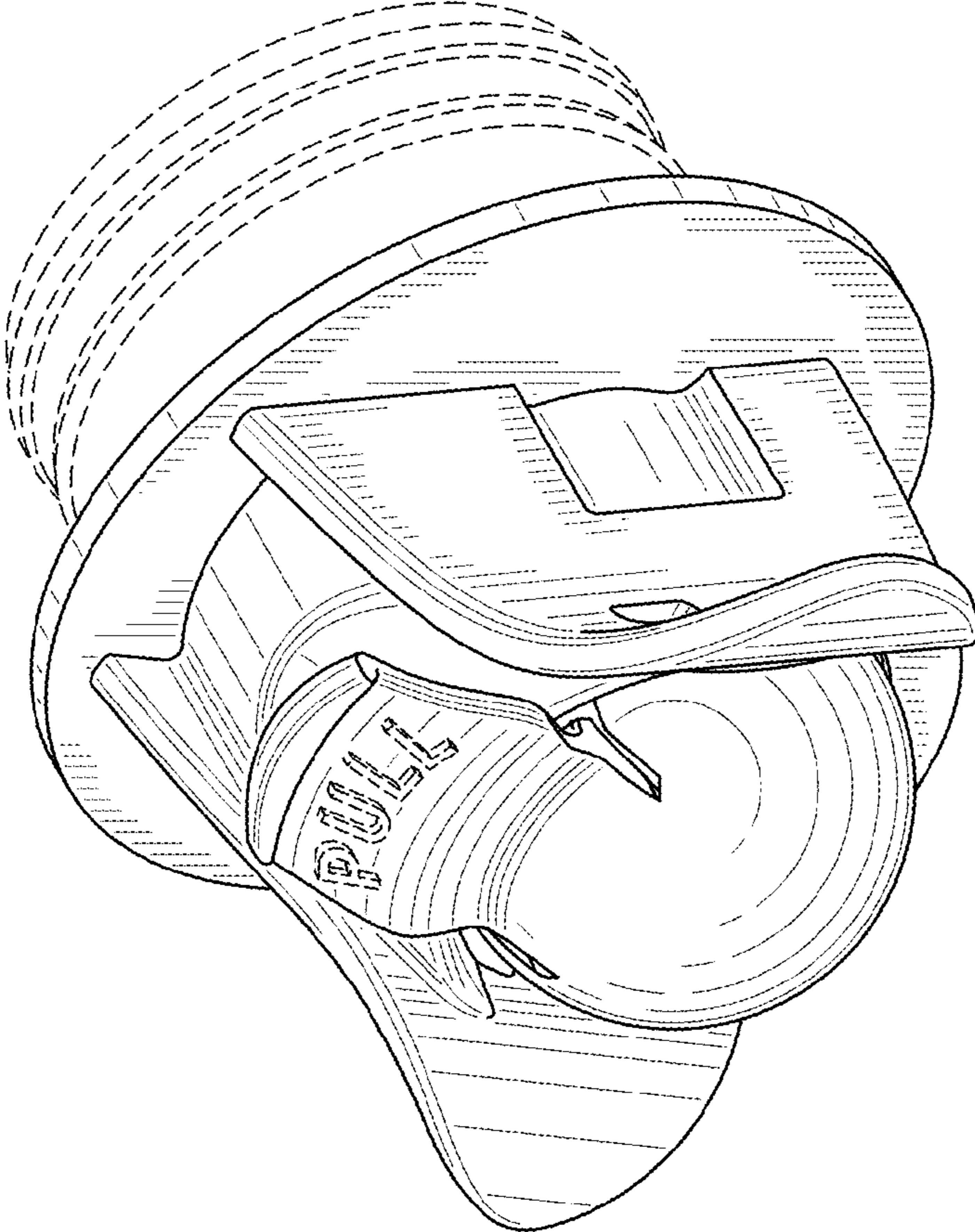


FIG.1

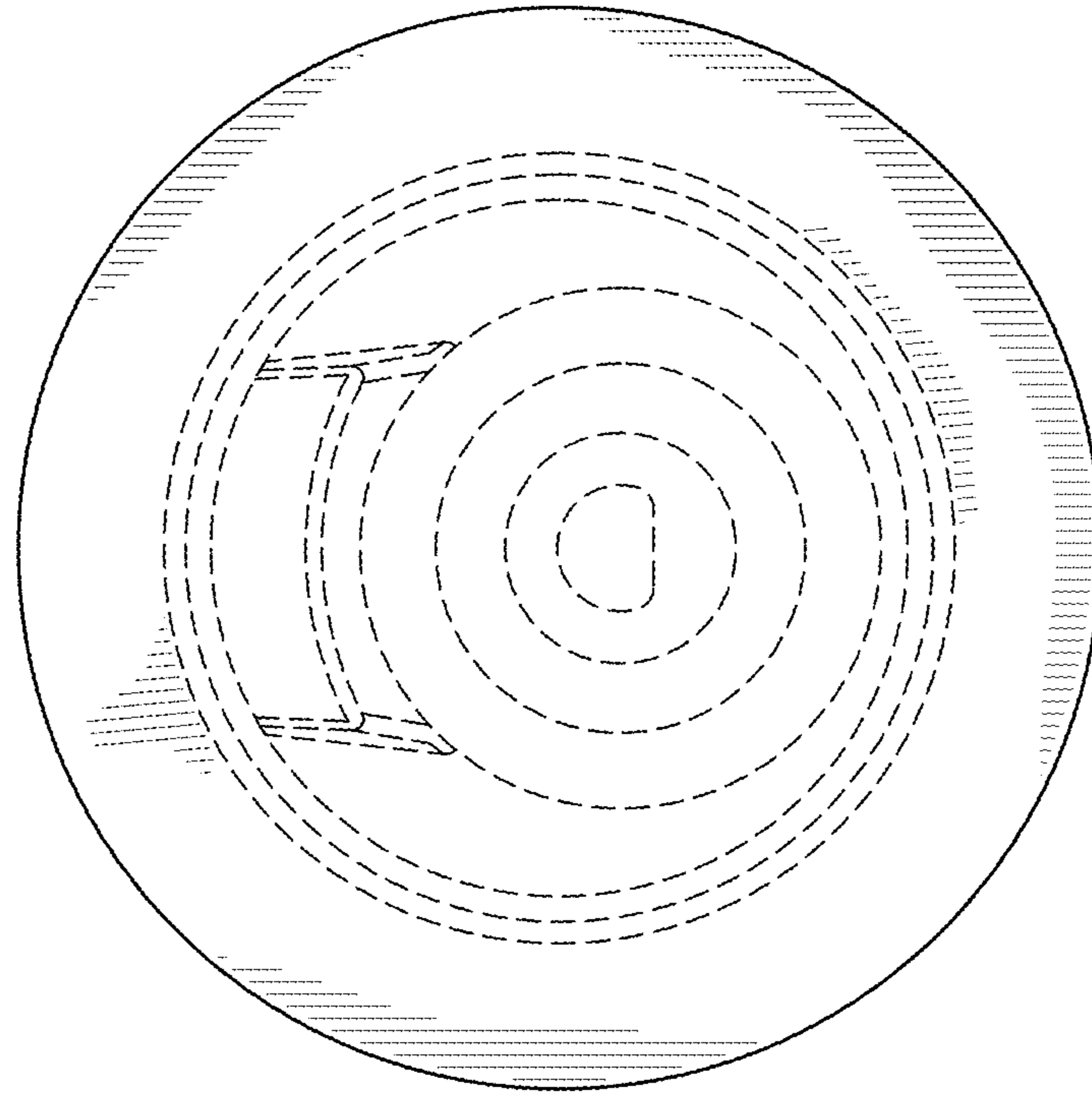


FIG. 3

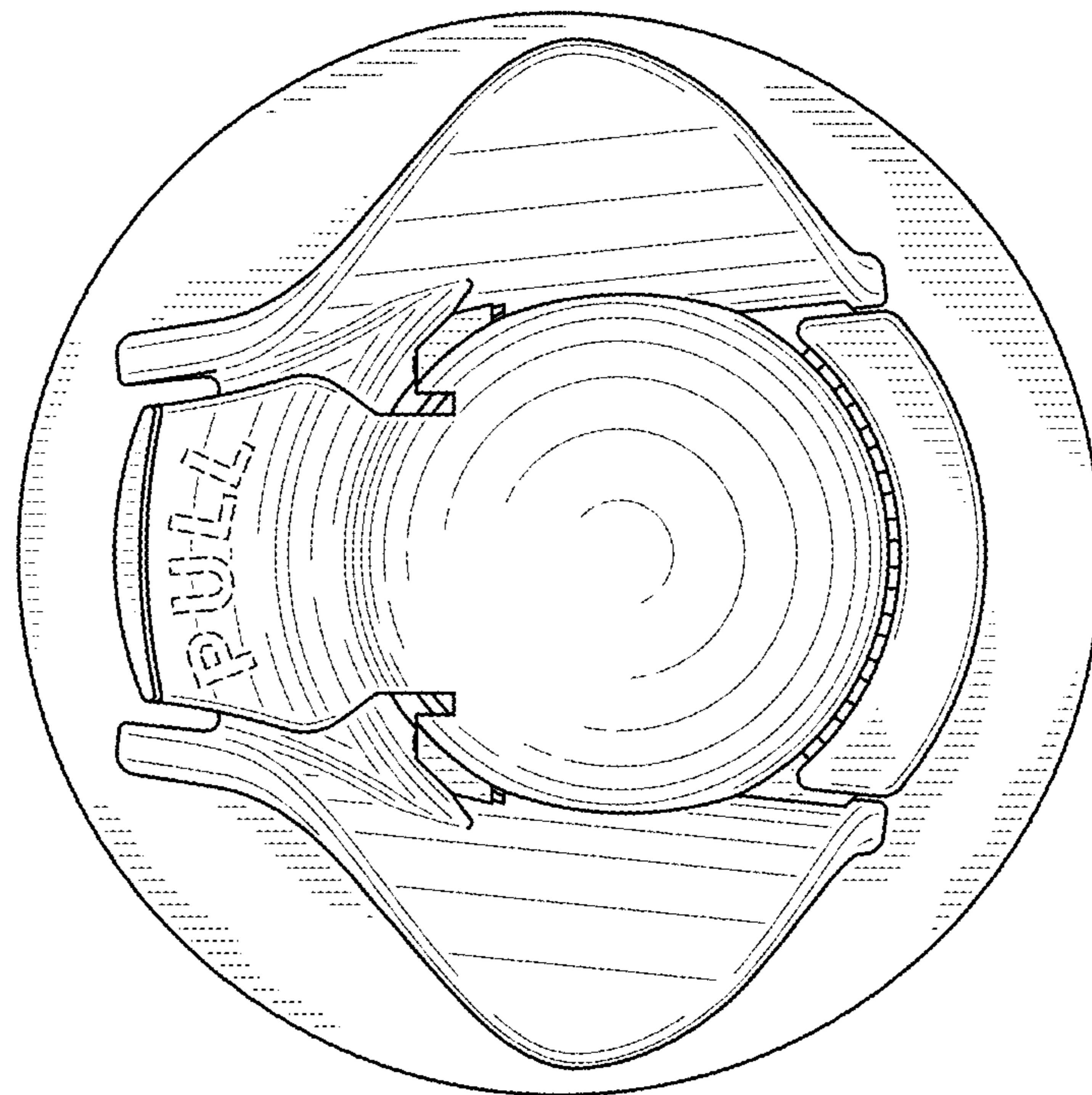


FIG. 2

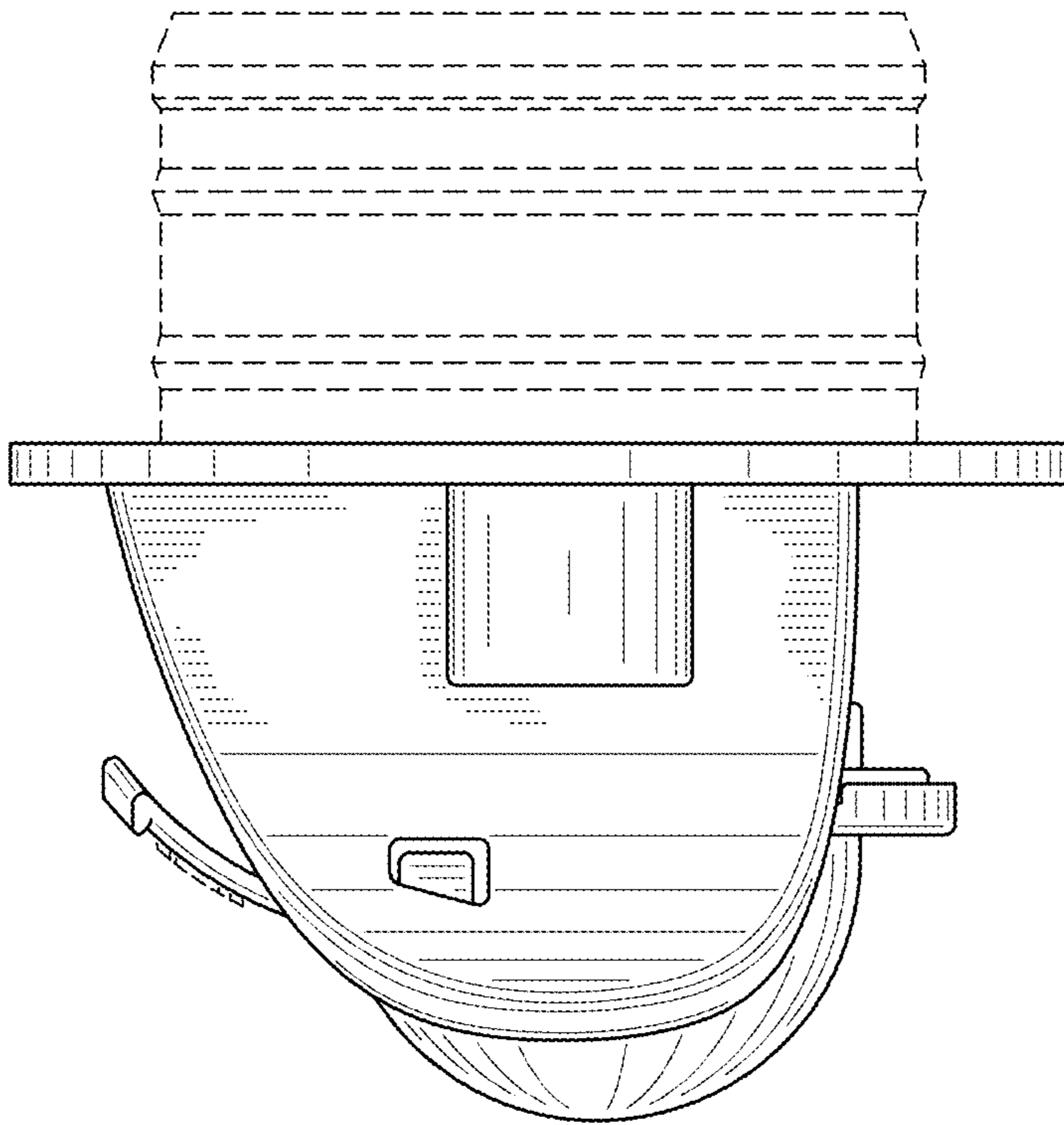


FIG. 5

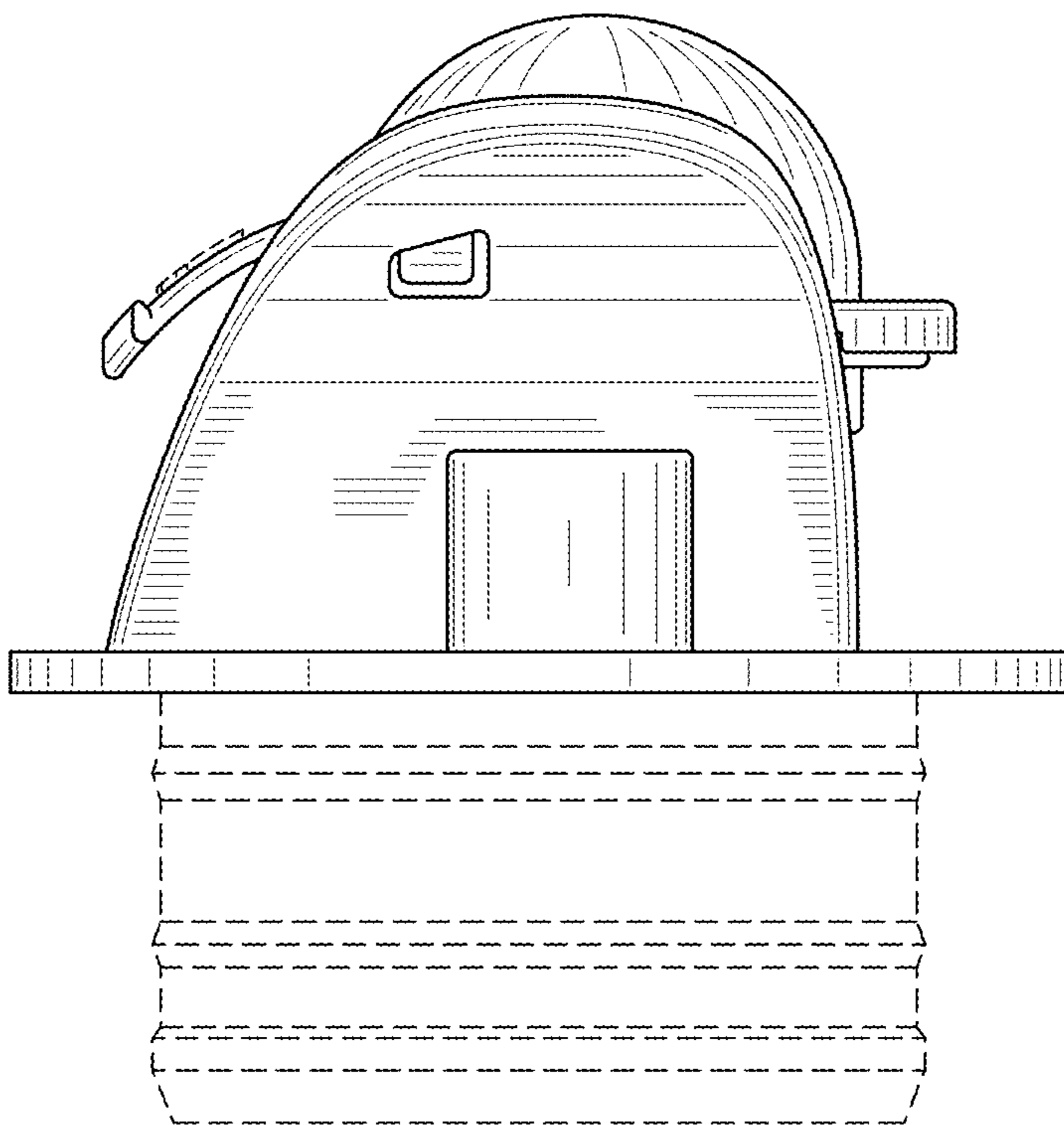


FIG. 4

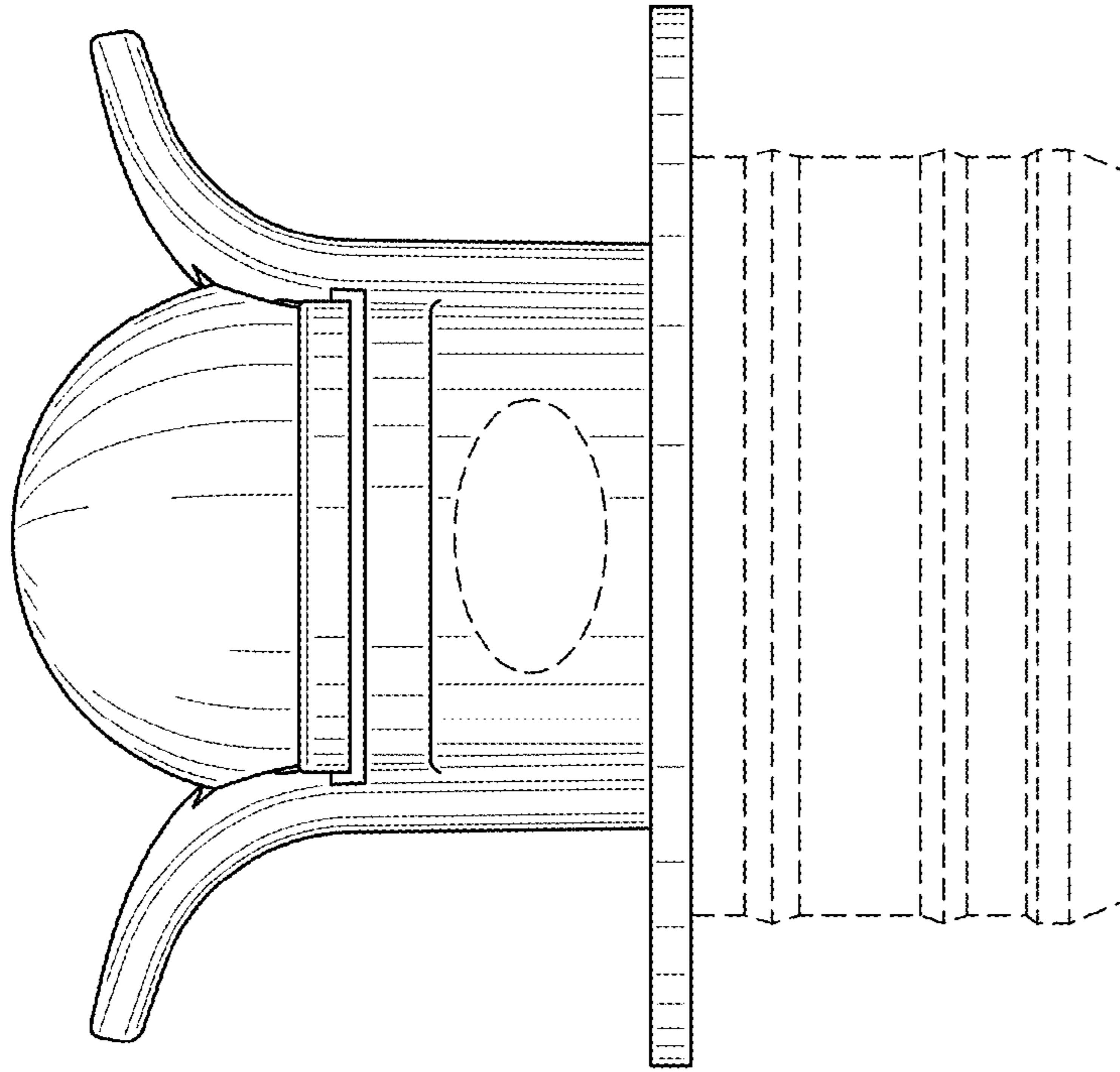


FIG. 7

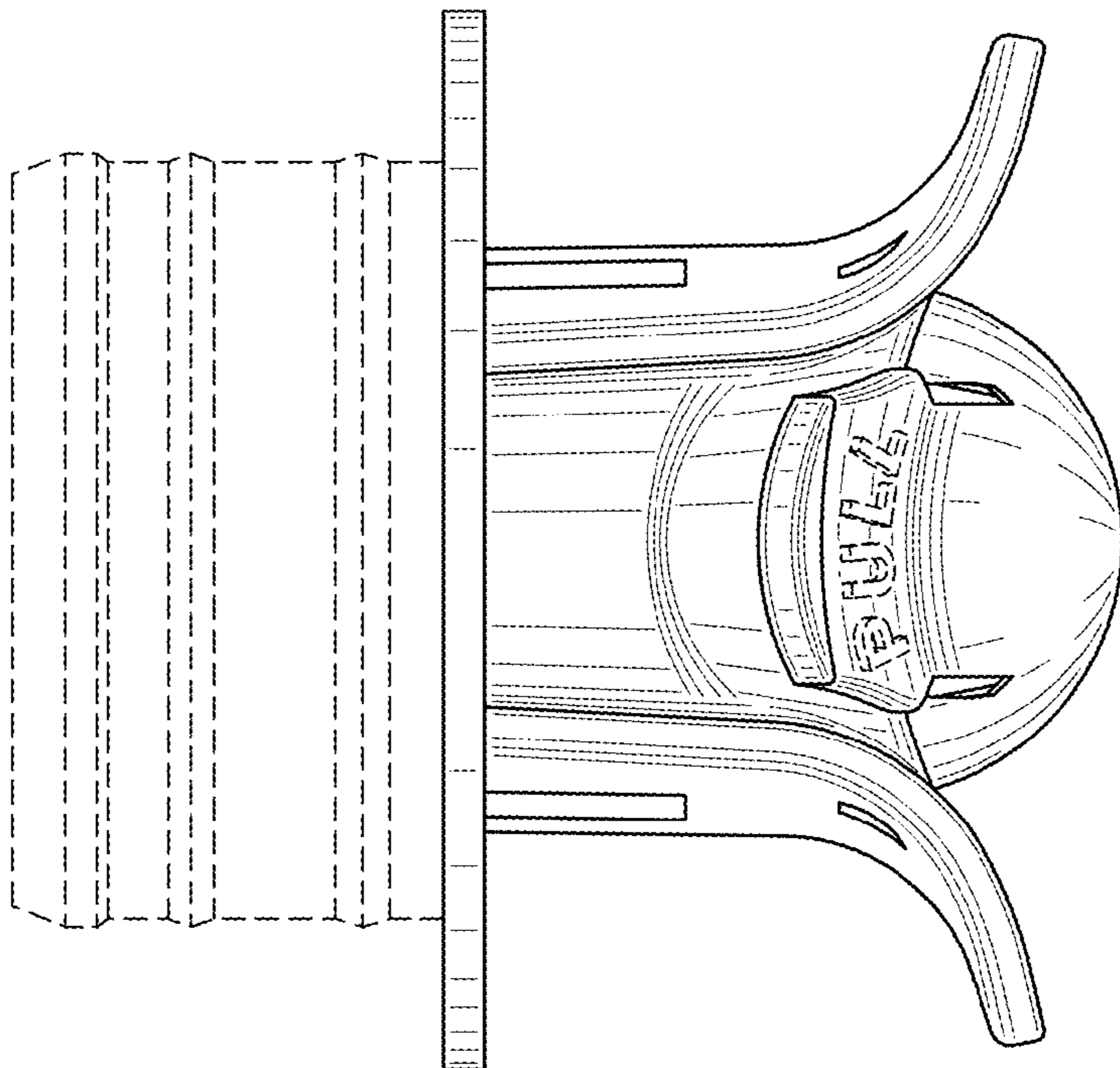


FIG. 6