

US00D766081S

(12) **United States Design Patent** (10) **Patent No.:** **US D766,081 S**
Adler et al. (45) **Date of Patent:** **** Sep. 13, 2016**

(54) **CARE PACK**

- (71) Applicant: **Medline Industries, Inc.**, Mundelein, IL (US)
- (72) Inventors: **Deborah B. Adler**, New York, NY (US); **Susan Macinnes**, Trout Valley, IL (US); **Yayun Huang**, Rego Park, NY (US)
- (73) Assignee: **Medline Industries, Inc.**, Mundelein, IL (US)
- (**) Term: **14 Years**

(21) Appl. No.: **29/492,055**

(22) Filed: **May 28, 2014**

Related U.S. Application Data

(63) Continuation of application No. 14/208,631, filed on Mar. 13, 2014.

(51) **LOC (10) Cl.** **09-03**

(52) **U.S. Cl.**
USPC **D9/430; D9/414**

(58) **Field of Classification Search**

USPC D9/414-434, 442-445, 456-457, 542, D9/563, 600, 614-624, 655, 657, 658, 661, D9/695, 697-699, 707-708, 711, D9/772-776; D7/601, 602, 538, 540, D7/550.1; D3/202, 203.5, 203.6, 205

CPC B65D 5/00; B65D 5/001; B65D 5/0015; B65D 5/0209; B65D 5/0227-5/0254; B65D 5/0045; B65D 5/18; B65D 5/2033; B65D 5/38; B65D 5/40; B65D 1/22; B65D 1/225; B65D 1/24; B65D 1/34; B65D 1/38

See application file for complete search history.

(56) **References Cited**

U.S. PATENT DOCUMENTS

2,964,227 A * 12/1960 Goldsholl 229/128
 3,010,571 A * 11/1961 Transport 206/758

(Continued)

OTHER PUBLICATIONS

How to Make DIY Handmade Perfume Oils to Give as Gifts for Holiday Stocking Stuffers and Wedding Favors. [online] Published Nov. 10, 2012. Retrieved from URL: <<http://soapdelinews.com/2012/11/how-to-make-diy-handmade-perfume-oils-to-give-as-gifts-for-holiday-stocking-stuffers-and-wedding-favors.html>>.*

(Continued)

Primary Examiner — Vy Koenig

(74) *Attorney, Agent, or Firm* — Philip H. Burrus, IV

(57) **CLAIM**

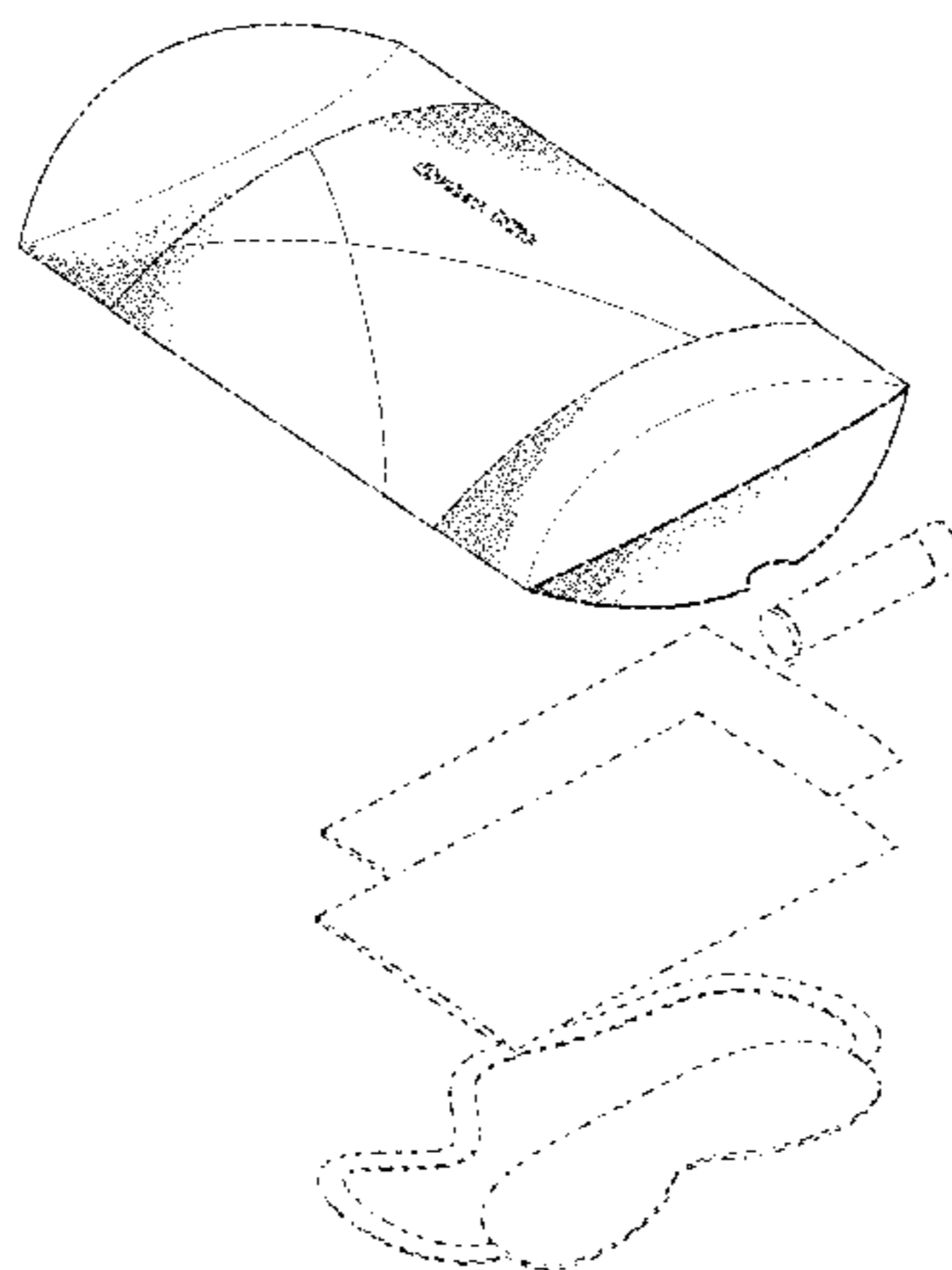
The ornamental design for a care pack, as shown and described.

DESCRIPTION

FIG. 1 is a bottom plan view of a care pack showing our new design, with the care pack in a closed configuration;
 FIG. 2 is a front elevation view thereof;
 FIG. 3 is a right elevation view thereof;
 FIG. 4 is another bottom plan view thereof;
 FIG. 5 is a perspective view thereof;
 FIG. 6 is a left elevation view thereof;
 FIG. 7 is a bottom plan view of a care pack showing our new design, with the care pack in a configuration with one flap in an open position;
 FIG. 8 is another front elevation view thereof;
 FIG. 9 is another right elevation view thereof;
 FIG. 10 is another top plan view thereof;
 FIG. 11 is another perspective view thereof;
 FIG. 12 is another left elevation view thereof;
 FIG. 13 is an exploded perspective view of a care pack showing our new design, with the care pack in an open configuration, and with contents that form no part of the claimed design;
 FIG. 14 is another bottom plan view thereof;
 FIG. 15 is another front elevation view thereof;
 FIG. 16 is another perspective view thereof; and,
 FIG. 17 is another left elevation view thereof.

The broken lines are included for the purpose of illustrating portions of the care pack that form no part of the claimed design.

1 Claim, 9 Drawing Sheets



(56)

References Cited

U.S. PATENT DOCUMENTS

4,286,714	A	9/1981	Zdarsky et al.	
D303,500	S *	9/1989	Colla	D9/414
D443,749	S *	6/2001	Albuquerque et al.	D99/5
6,296,094	B1	10/2001	Knecht	
D568,762	S *	5/2008	Keberlein	D9/734
7,451,909	B2	11/2008	Sexton	
7,600,619	B2	10/2009	Sapyta	
7,798,323	B1	9/2010	McCann et al.	
7,913,845	B2	3/2011	Velazquez et al.	
D640,549	S *	6/2011	Atkin et al.	D9/431
D687,703	S *	8/2013	Hannant et al.	D9/420
D695,101	S *	12/2013	Keberlein et al.	D9/416
8,607,972	B2	12/2013	Maclean et al.	
D711,218	S *	8/2014	Jacobs et al.	D9/414
D728,359	S *	5/2015	Iwegbu	D9/420
2005/0011780	A1	1/2005	Simon et al.	
2011/0268490	A1	11/2011	Acierto et al.	

OTHER PUBLICATIONS

Oh, Eung G., "PCT Search Report", PCT/US2014/028280; filed Mar. 14, 2014; Mailed Jul. 4, 2014.
 Koenig, Vy "NonFinal OA", U.S. Appl. No. 29/496,642, filed Jul. 15, 2014; Mailed Jul. 15, 2015.

"Picture", MediChoice—Quiet Kit; Unknown Publication date but believed to be prior to filing of present application.

"Picture", Dignity Health; Care pack; Unknown publication date but at least as early as Dec. 18, 2012.

Koenig, Vy N., "NonFinal OA", U.S. Appl. No. 29/496,642, filed Jul. 15, 2014; Mailed Jan. 22, 2016.

E-A-R Classic uncorded earplugs by 3M Healthcare; Medline Product Catalog; <http://www.medline.com/catalog/catalog.jsp>; Unknown Publication date but believed to be prior to present application filed.

Hemocult ICT Patient Kit by Beckman Coulter; Medline Product Catalog; <http://www.medline.com/catalog/catalog.jsp>; Unknown Publication date but believed to be prior to present application filed.

Pedicatric Coloring Book and Crayons; Medline Product Catalog; <http://www.medline.com/catalog/catalog.jsp>; Unknown Publication date but believed to be prior to present application filed.

Presource Pediatric Kit by Cardinal Health; Medline Product Catalog; <http://www.medline.com/catalog/catalog.jsp>; Unknown Publication date but believed to be prior to present application filed.

Sleep Aid Kit; Medline Product Catalog; <http://www.medline.com/catalog/catalog.jsp>; Unknown Publication date but believed to be prior to present application filed.

Koenig, Vy N., Notice of Allowance, U.S. Appl. No. 29/496,642, filed Jul. 15, 2014; Mailed Jul. 11, 2016.

* cited by examiner

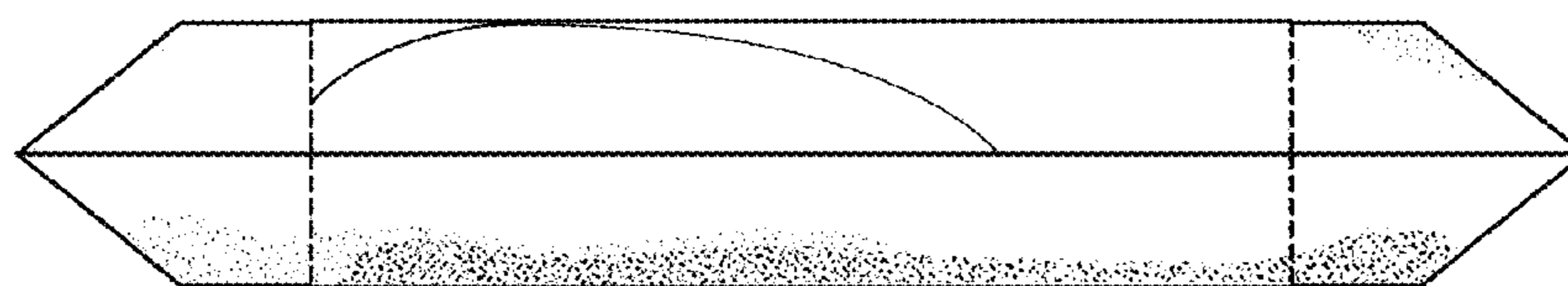


FIG. 1

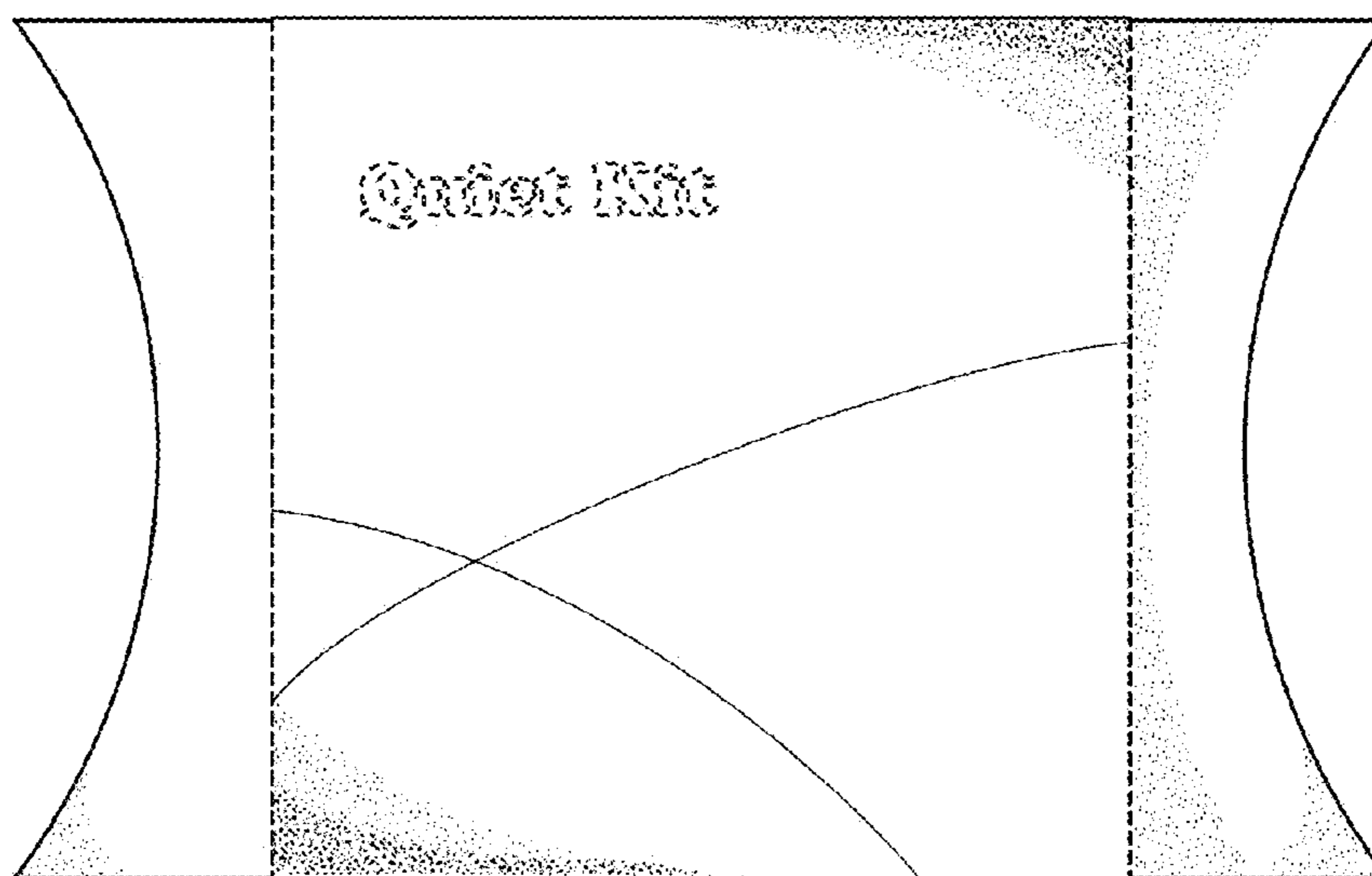


FIG. 2

FIG. 3

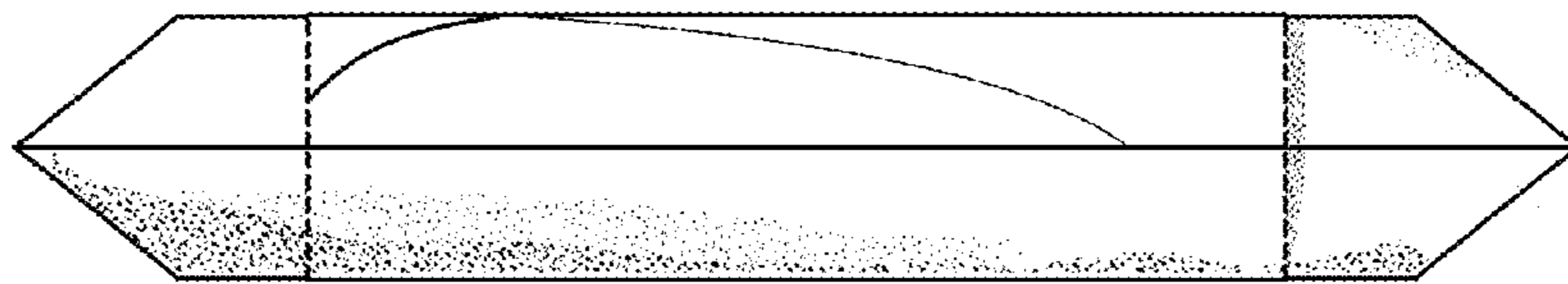
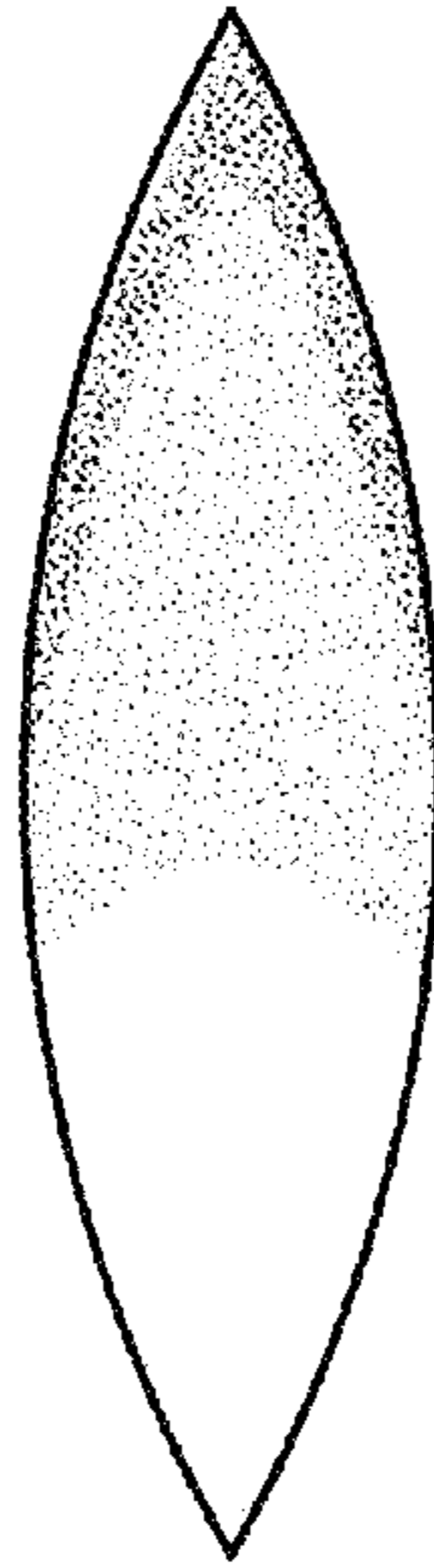


FIG. 4

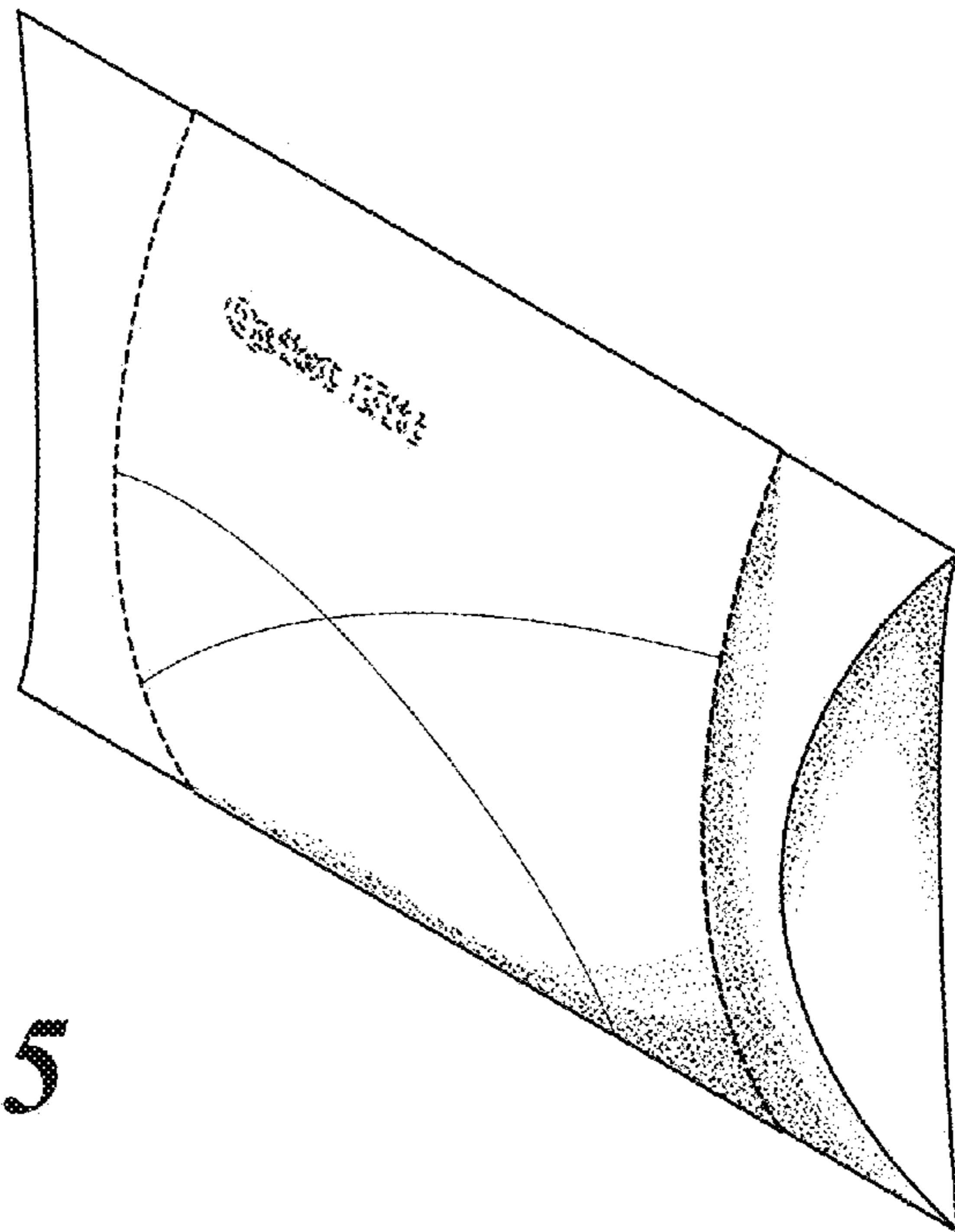


FIG. 5

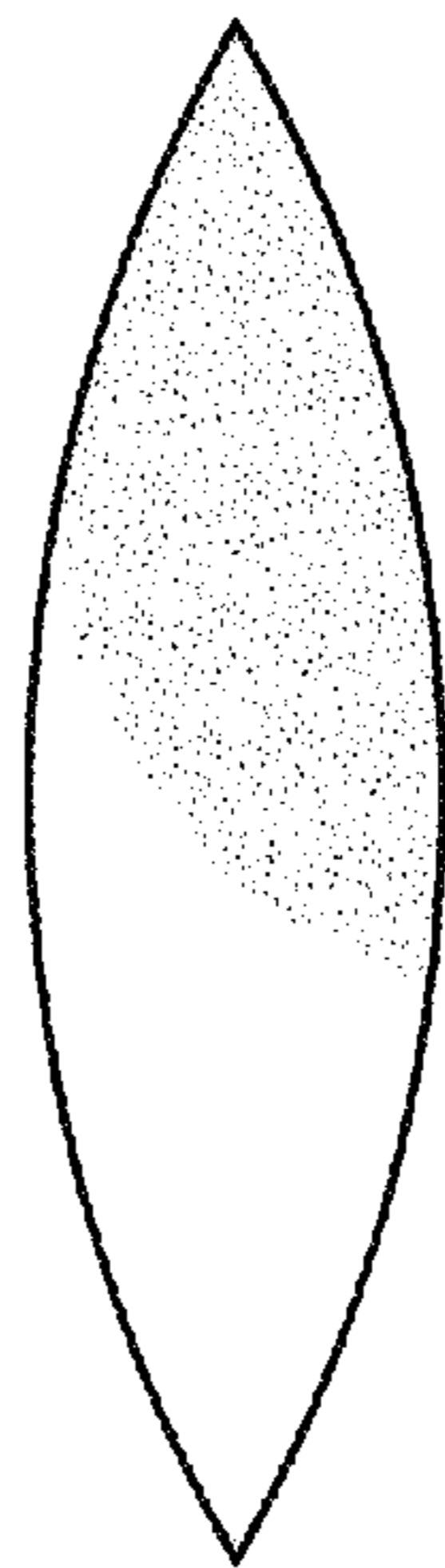


FIG. 6

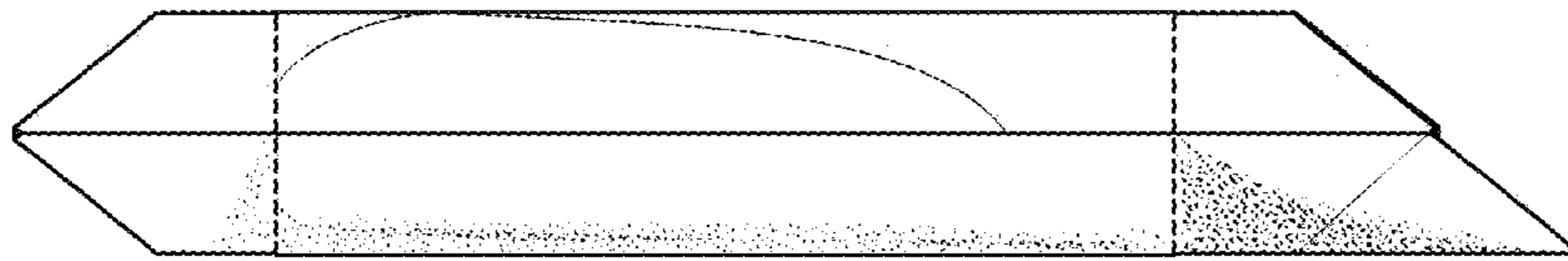


FIG. 7

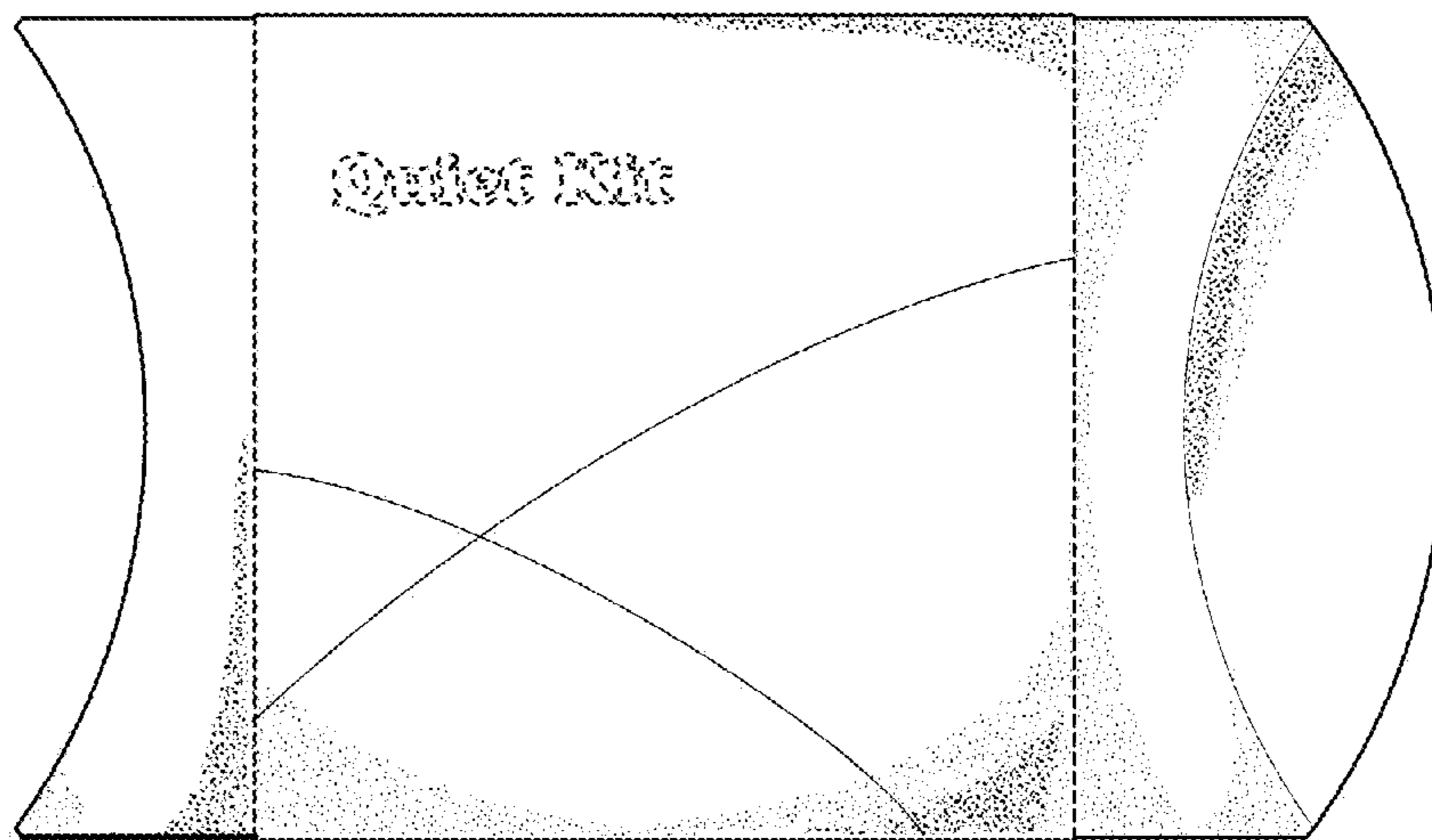


FIG. 8

FIG. 9

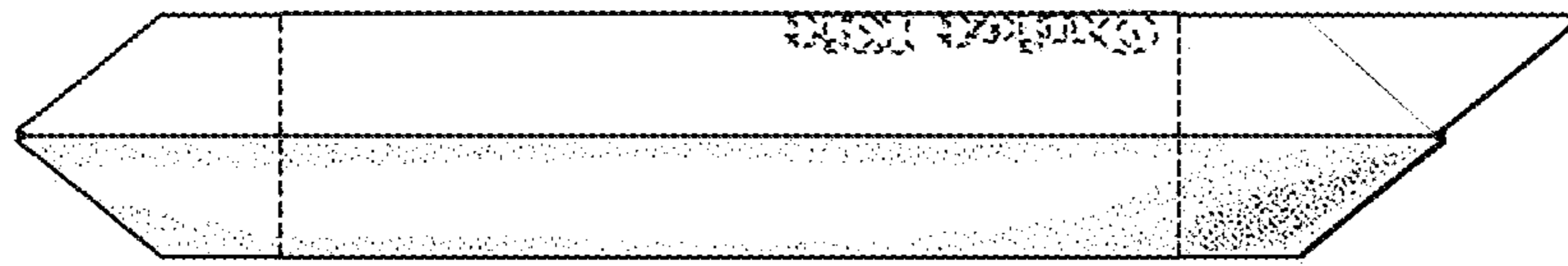
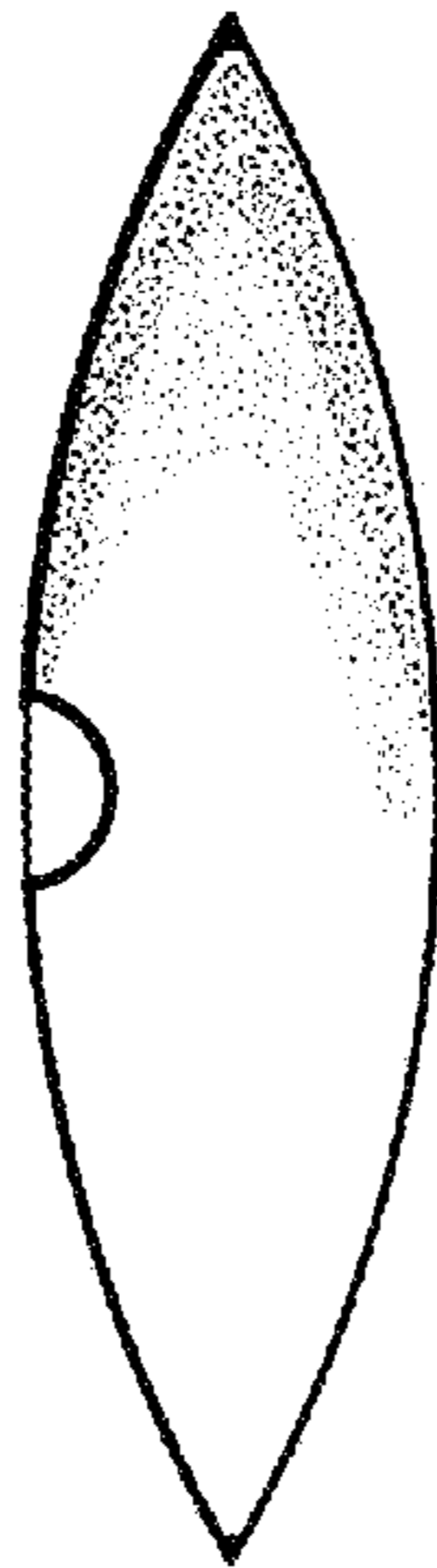


FIG. 10

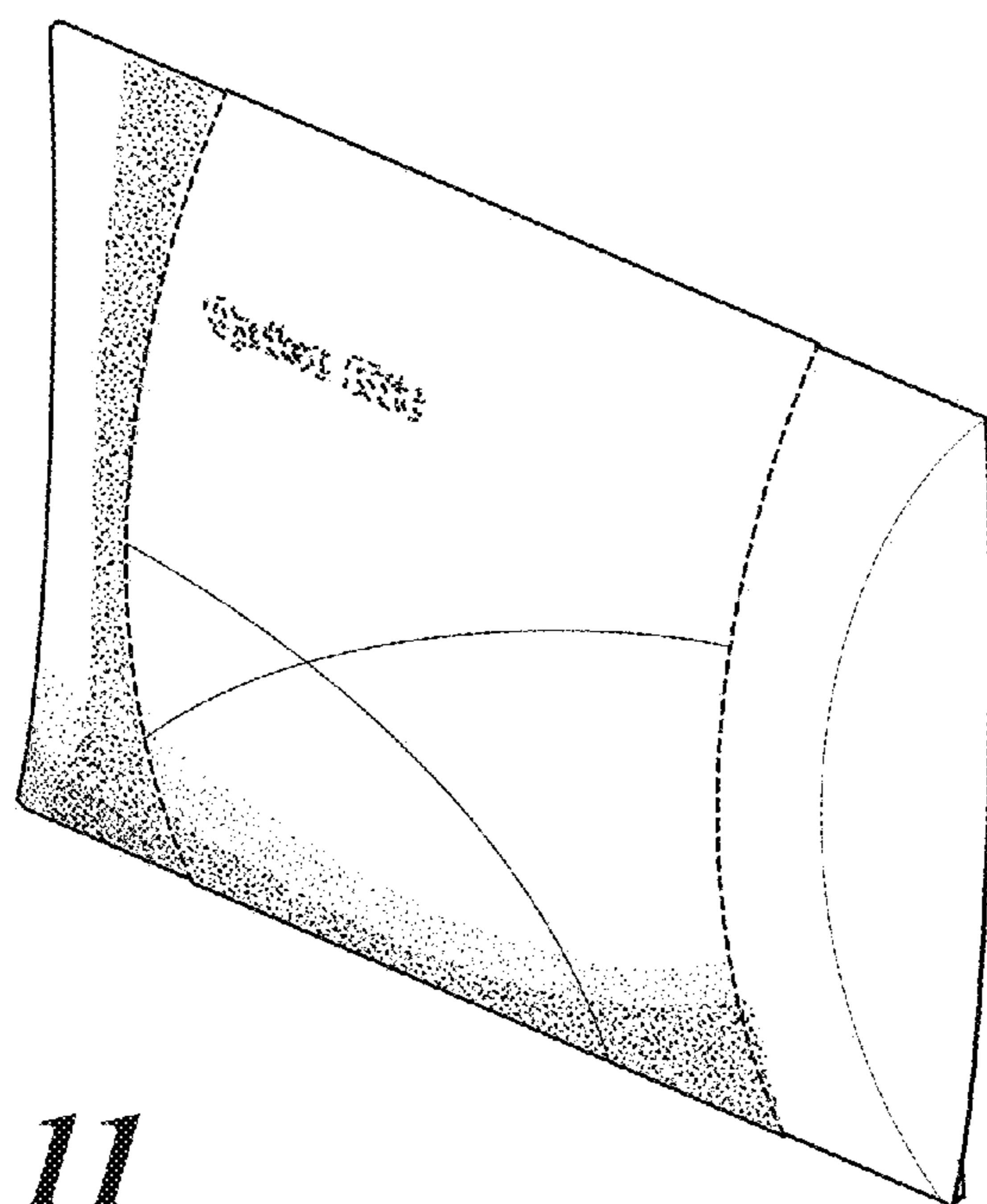


FIG. 11

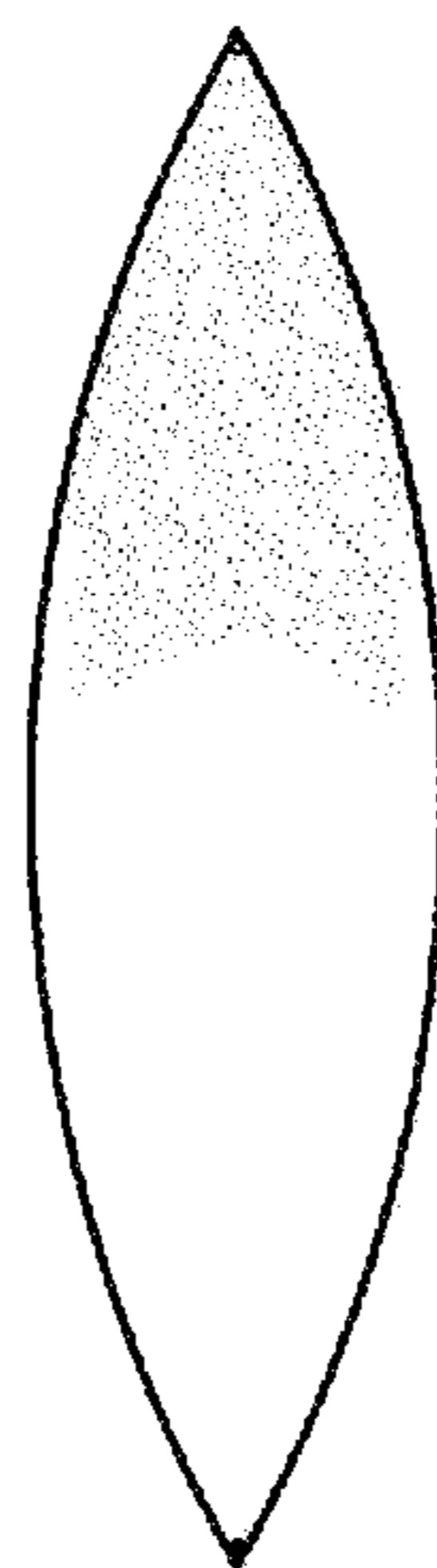
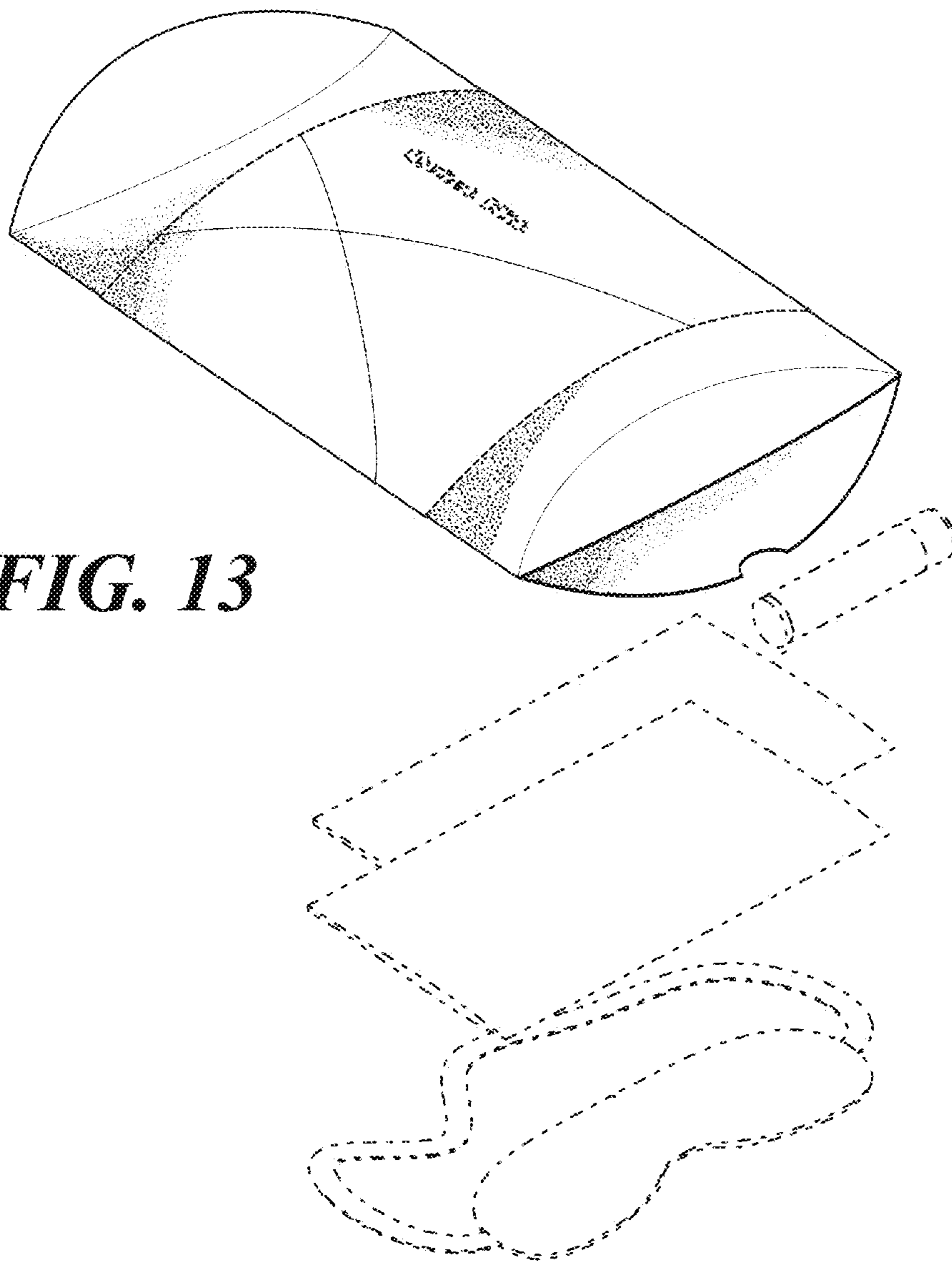


FIG. 12



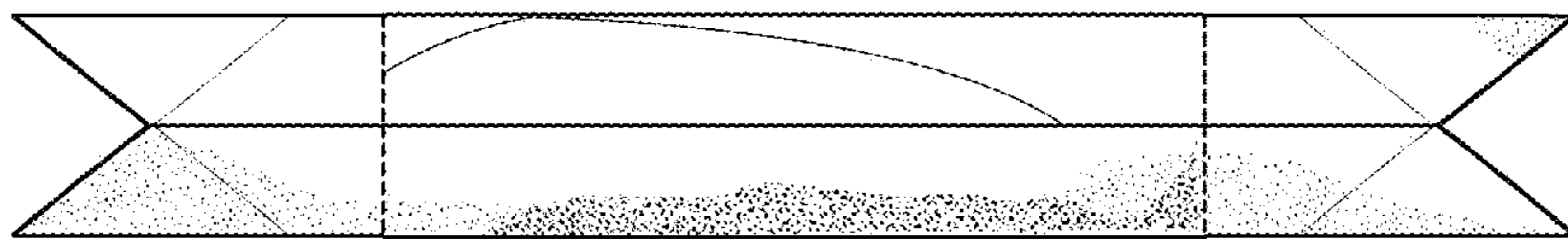


FIG. 14

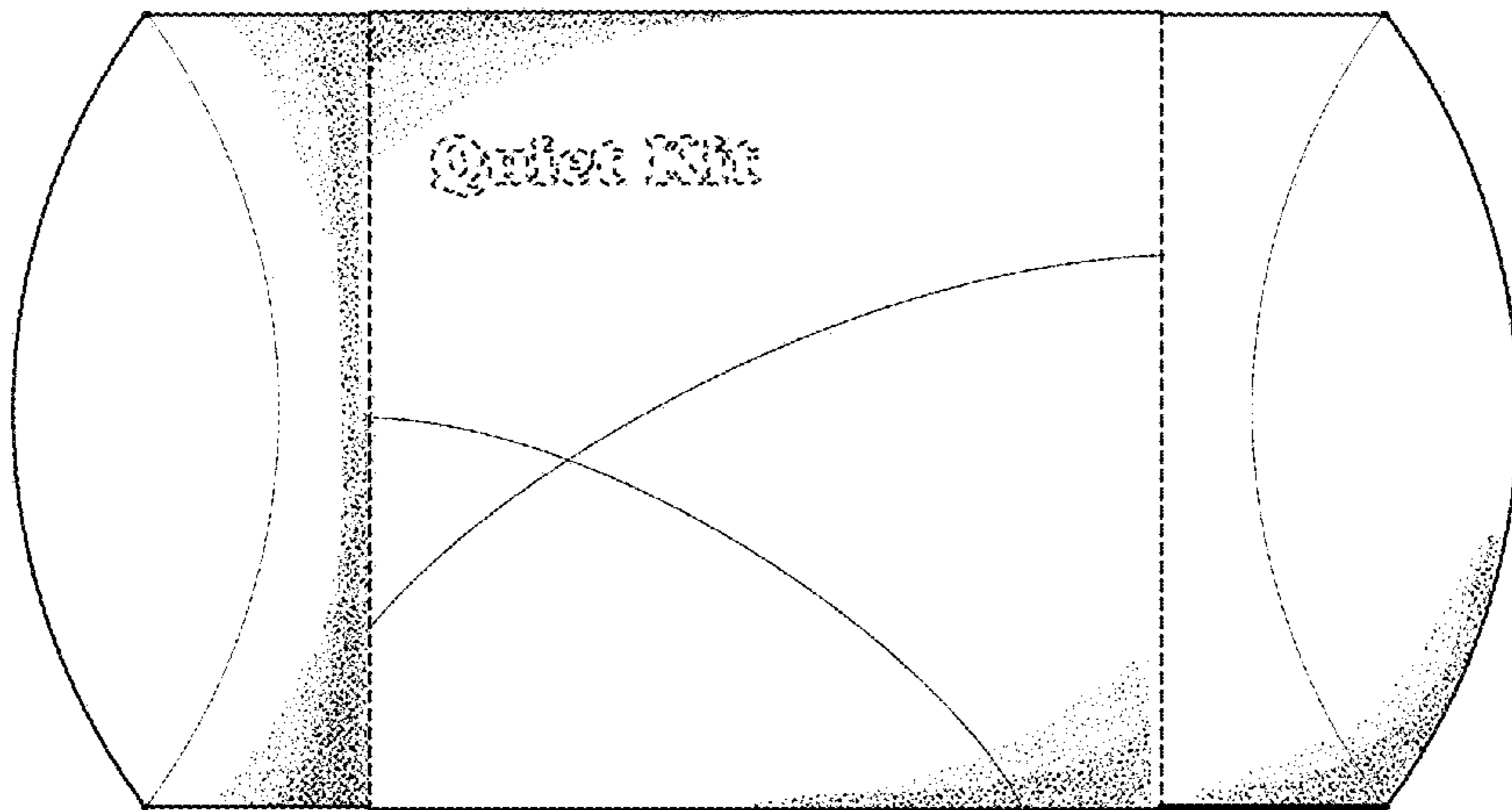


FIG. 15

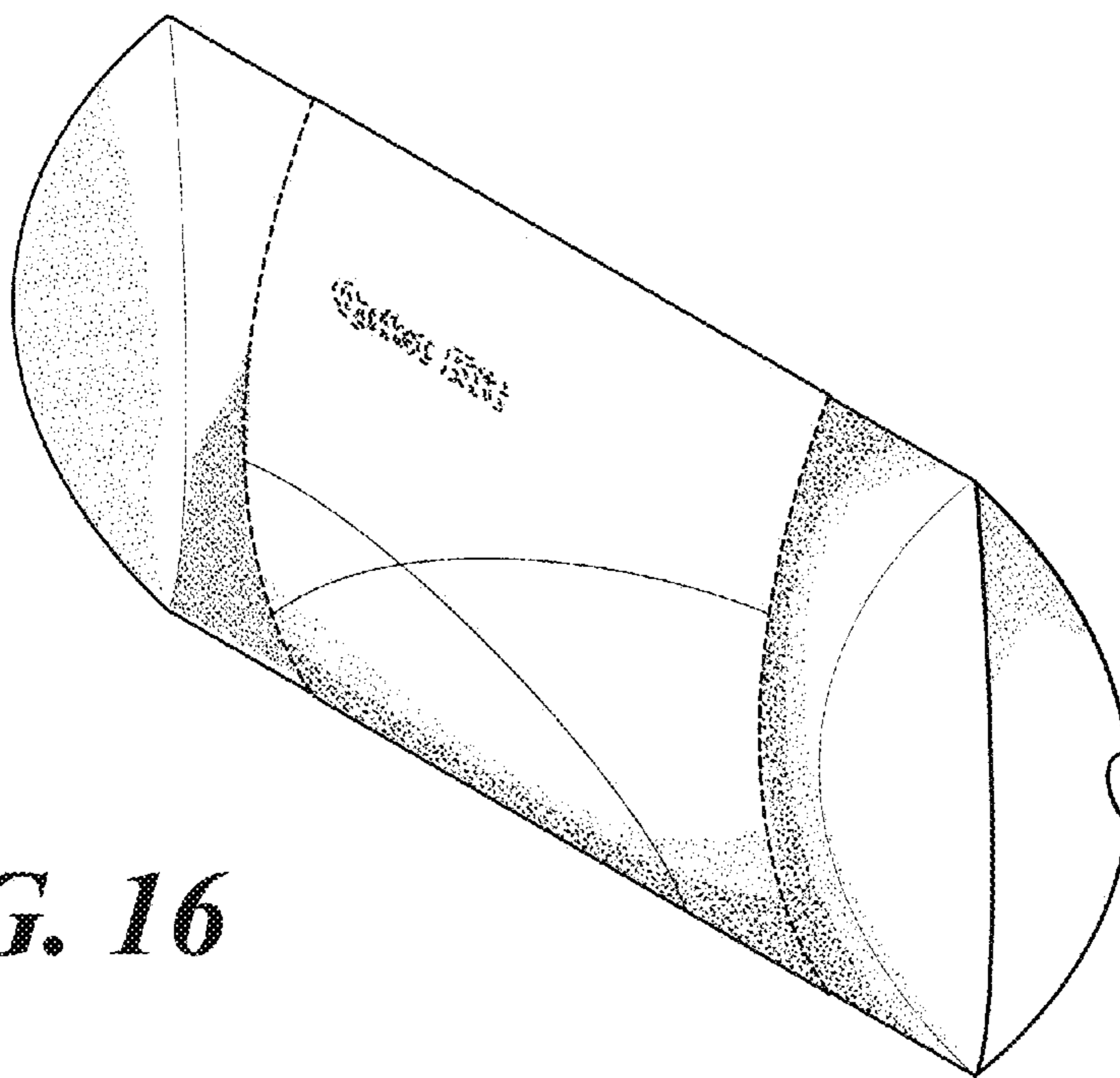


FIG. 16

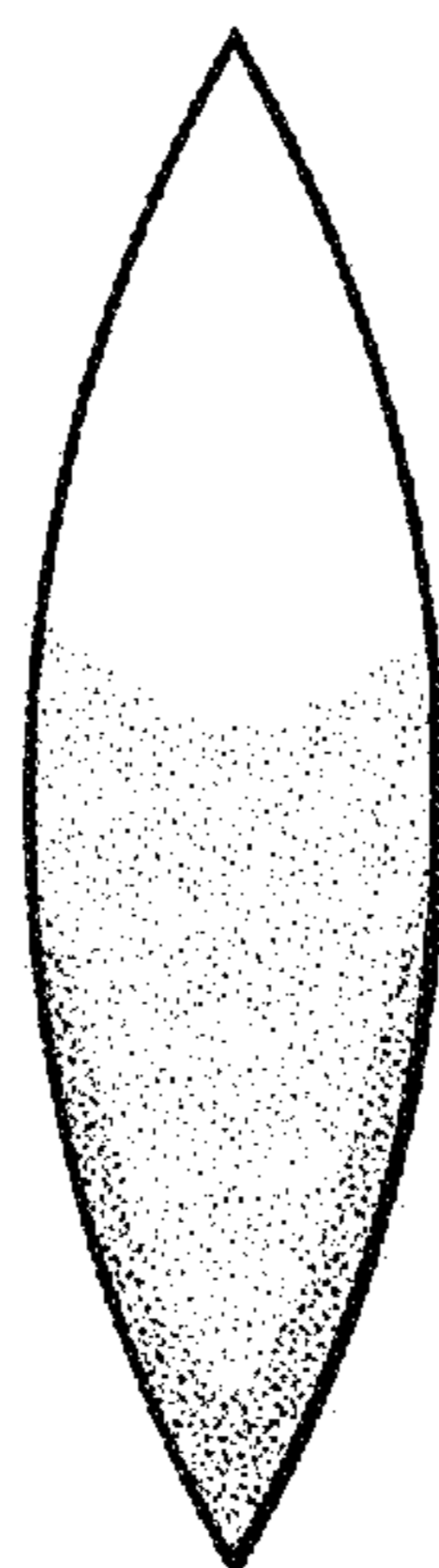


FIG. 17