



US00D766079S

(12) **United States Design Patent**
Shiffer et al.

(10) **Patent No.:** **US D766,079 S**

(45) **Date of Patent:** **** Sep. 13, 2016**

(54) **CONTAINER**

(71) Applicant: **Tech II, Inc.**, Springfield, OH (US)

(72) Inventors: **Eric Shiffer**, North Lewisburg, OH (US); **Brandon Roberts**, Springfield, OH (US)

(73) Assignee: **Tech II, Inc.**, Springfield, OH (US)

(**) Term: **14 Years**

(21) Appl. No.: **29/492,066**

(22) Filed: **May 28, 2014**

(51) **LOC (10) Cl.** **09-03**

(52) **U.S. Cl.**

USPC **D9/428**

(58) **Field of Classification Search**

USPC D9/414, 415, 416, 419, 420, 421, 422, D9/423, 424, 425, 426, 427, 428, 429, 432, D9/454, 457, 652, 667, 721, 904; D7/619.1; 229/400, 401, 403, 404, 229/405, 406, 407, 779; 220/592.16, 220/656-659, 662, 665, 669-675, 220/4.21-4.27; 206/6.1, 214, 217, 431, 206/503, 514, 521.1, 528, 530, 557, 564, 206/775, 776, 779

CPC A47J 36/06; A47J 47/14; B65D 1/22; B65D 1/34; B65D 1/40; B65D 1/165; B65D 15/02; B65D 21/083; B65D 21/0233; B65D 21/0234; B65D 43/162; B65D 71/50; B65D 77/24; B65D 77/245; B65D 81/3869; B65D 2543/00046; B65D 2543/00083; B65D 2543/00092; B65D 2543/00296; B65D 3/06; B65D 3/28; B65D 5/4204; B65D 7/46; B65D 85/34; B21D 51/18; B21D 51/2646; A45C 11/16

See application file for complete search history.

(56) **References Cited**

U.S. PATENT DOCUMENTS

D271,555 S * 11/1983 Daenen D7/316
4,966,294 A * 10/1990 Mack B65D 43/0249
220/260

D315,503 S * 3/1991 Hart D32/53.1
D329,930 S * 9/1992 Delmerico D34/1
D333,196 S * 2/1993 Dziersk D34/1
D505,835 S * 6/2005 Schultz D7/602
D514,931 S * 2/2006 Snedden D9/418
D518,958 S * 4/2006 Yourist D3/302
D559,039 S * 1/2008 Freeman D7/509
D609,967 S * 2/2010 Helfant D7/509

(Continued)

Primary Examiner — Karen S Acker

Assistant Examiner — Wendy Arminio

(74) *Attorney, Agent, or Firm* — Maginot, Moore & Beck LLP

(57) **CLAIM**

The ornamental design for a container, as shown and described.

DESCRIPTION

FIG. 1 is a front perspective view of a container showing our new design;

FIG. 2 is a bottom perspective view showing the design for the container of FIG. 1;

FIG. 3 is a left side elevational view showing the design for the container of FIG. 1;

FIG. 4 is a right side elevational view showing the design for the container of FIG. 1;

FIG. 5 is a front elevational view showing the design for the container of FIG. 1;

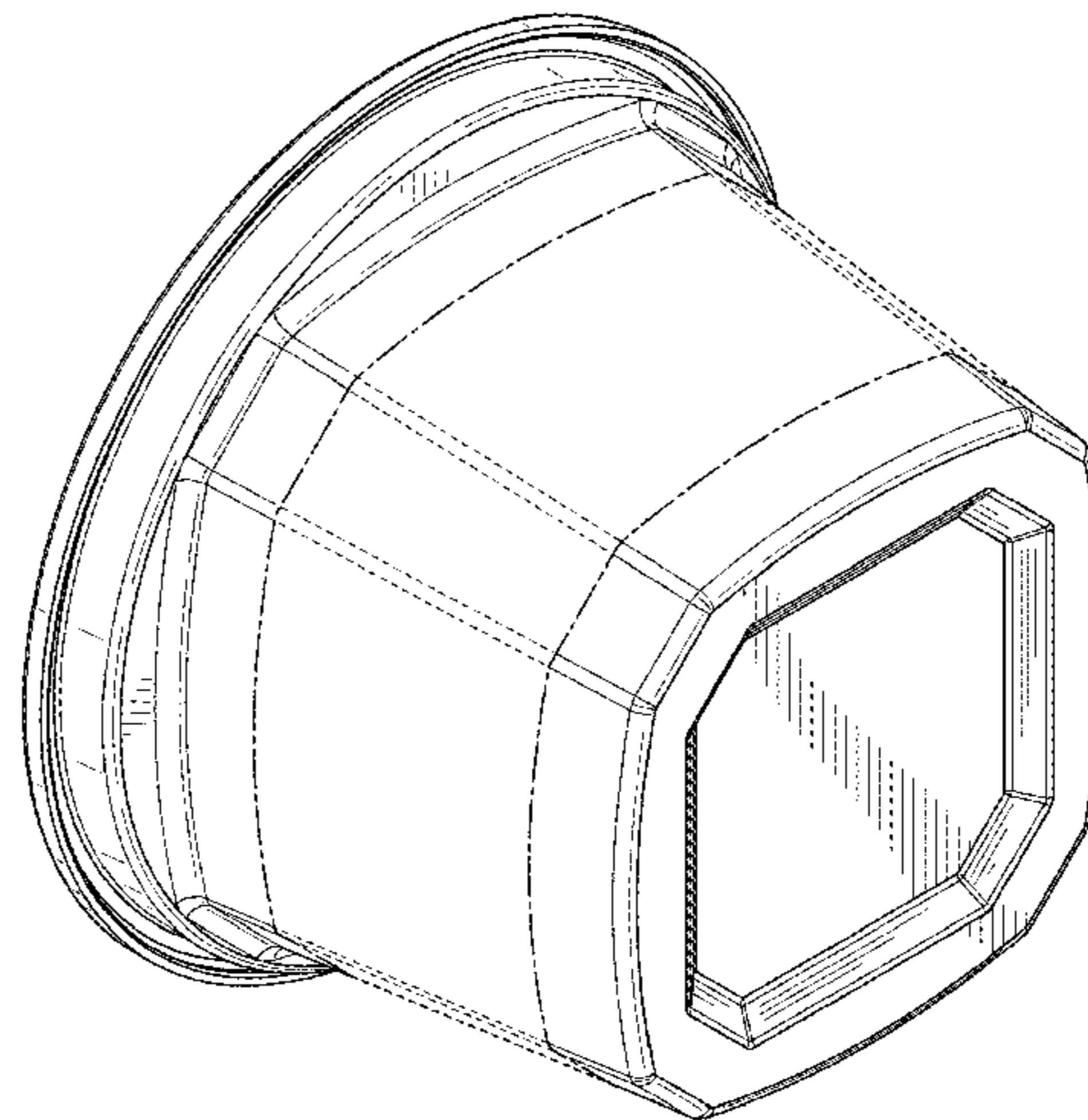
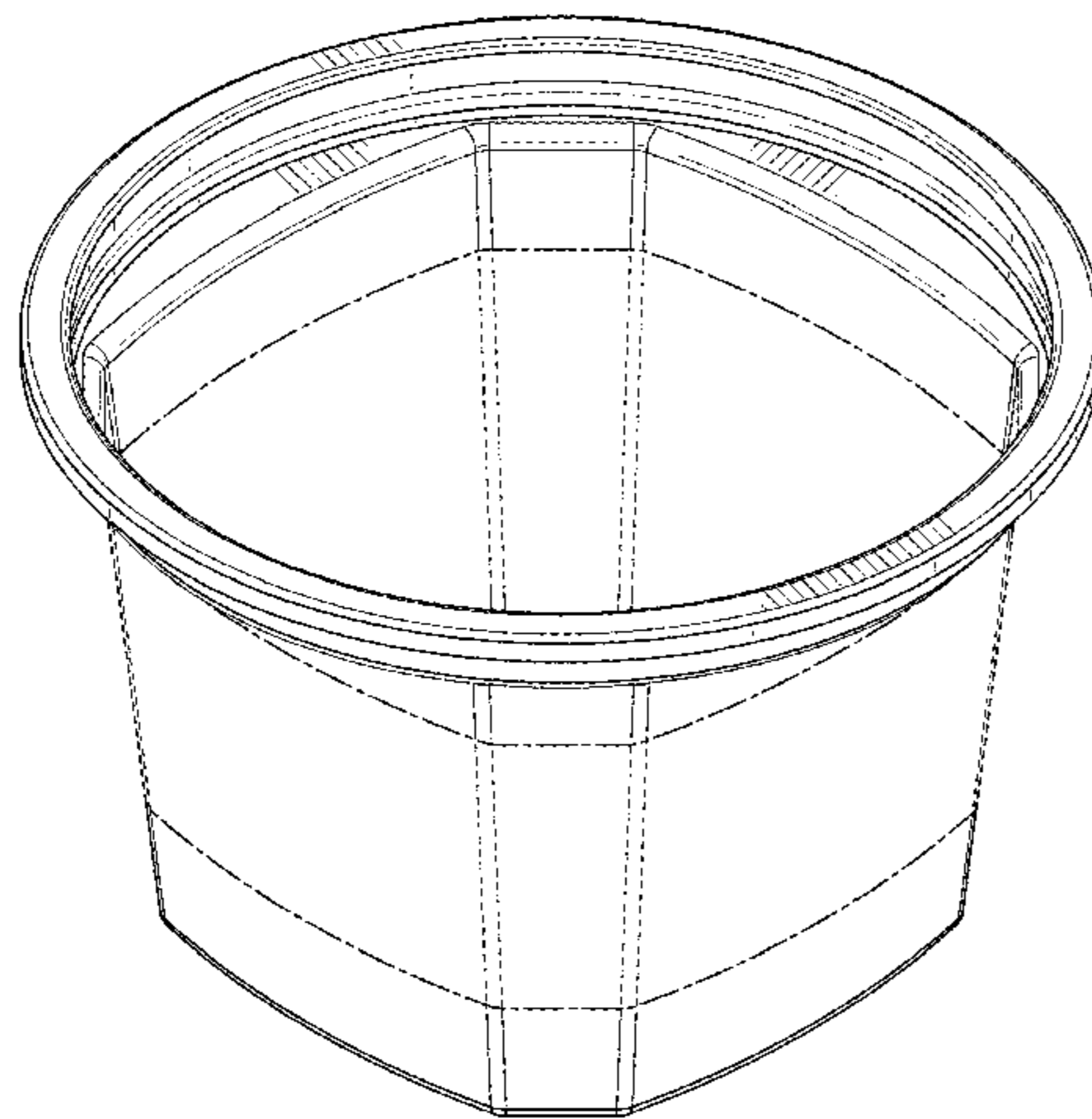
FIG. 6 is a back elevational view showing the design for the container of FIG. 1;

FIG. 7 is a top plan view showing the design for the container of FIG. 1; and,

FIG. 8 is a bottom plan view showing the design for the container of FIG. 1.

The broken lines shown in the figures illustrate portions of the container that form no part of the claimed design. The dot-dash-dot broken lines depict the boundaries of the claim and form no part of the claimed design.

1 Claim, 8 Drawing Sheets



(56)

References Cited

U.S. PATENT DOCUMENTS

D610,448 S *	2/2010	Drozek	D9/424	D650,663 S	12/2011	Shiffer et al.	
D627,218 S *	11/2010	Golota	D9/424	D653,913 S *	2/2012	Stamper	D7/602
D630,900 S *	1/2011	Samartgis	D7/602	D655,576 S *	3/2012	Samartgis	D7/602
D630,901 S *	1/2011	Samartgis	D7/602	8,251,242 B2 *	8/2012	Vovan	B65D 43/0254 220/266
D631,339 S *	1/2011	Golota	D9/425	D669,313 S *	10/2012	Paladino	D7/602
D645,738 S	9/2011	Shiffer et al.		D682,088 S *	5/2013	de Urquijo Carmona	D9/428
D646,160 S	10/2011	Shiffer et al.		D684,459 S *	6/2013	Stowe	D9/428
D650,638 S *	12/2011	Lasky	D7/602	D688,126 S *	8/2013	Snedden	D9/435
D650,660 S	12/2011	Shiffer et al.		D737,678 S *	9/2015	Danenberg	D9/428
D650,661 S	12/2011	Shiffer et al.		2003/0108714 A1 *	6/2003	Razeti	B32B 7/12 428/138
D650,662 S	12/2011	Shiffer et al.		2009/0120937 A1 *	5/2009	Vovan	B65D 43/0206 220/266

* cited by examiner

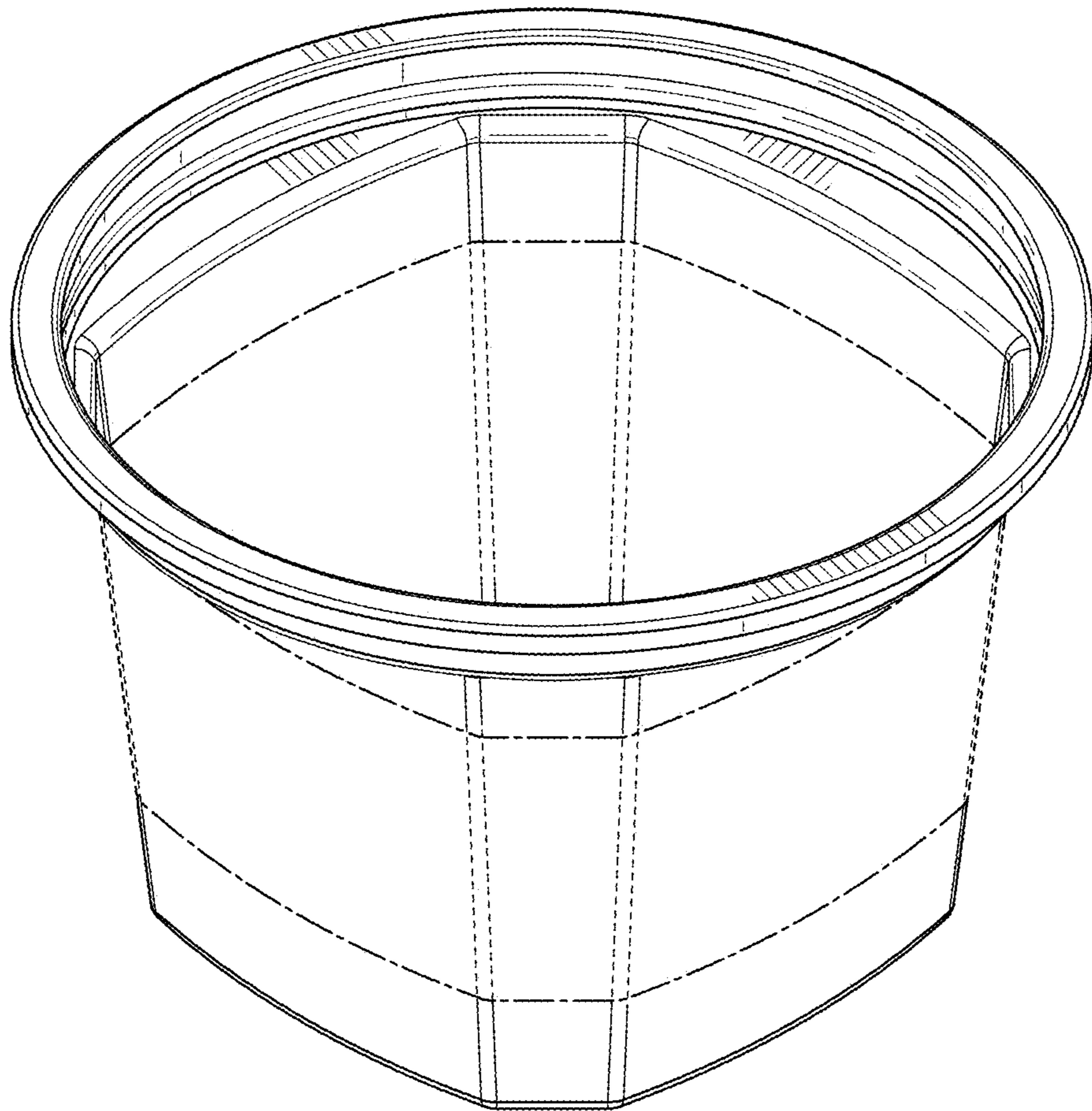


FIG. 1

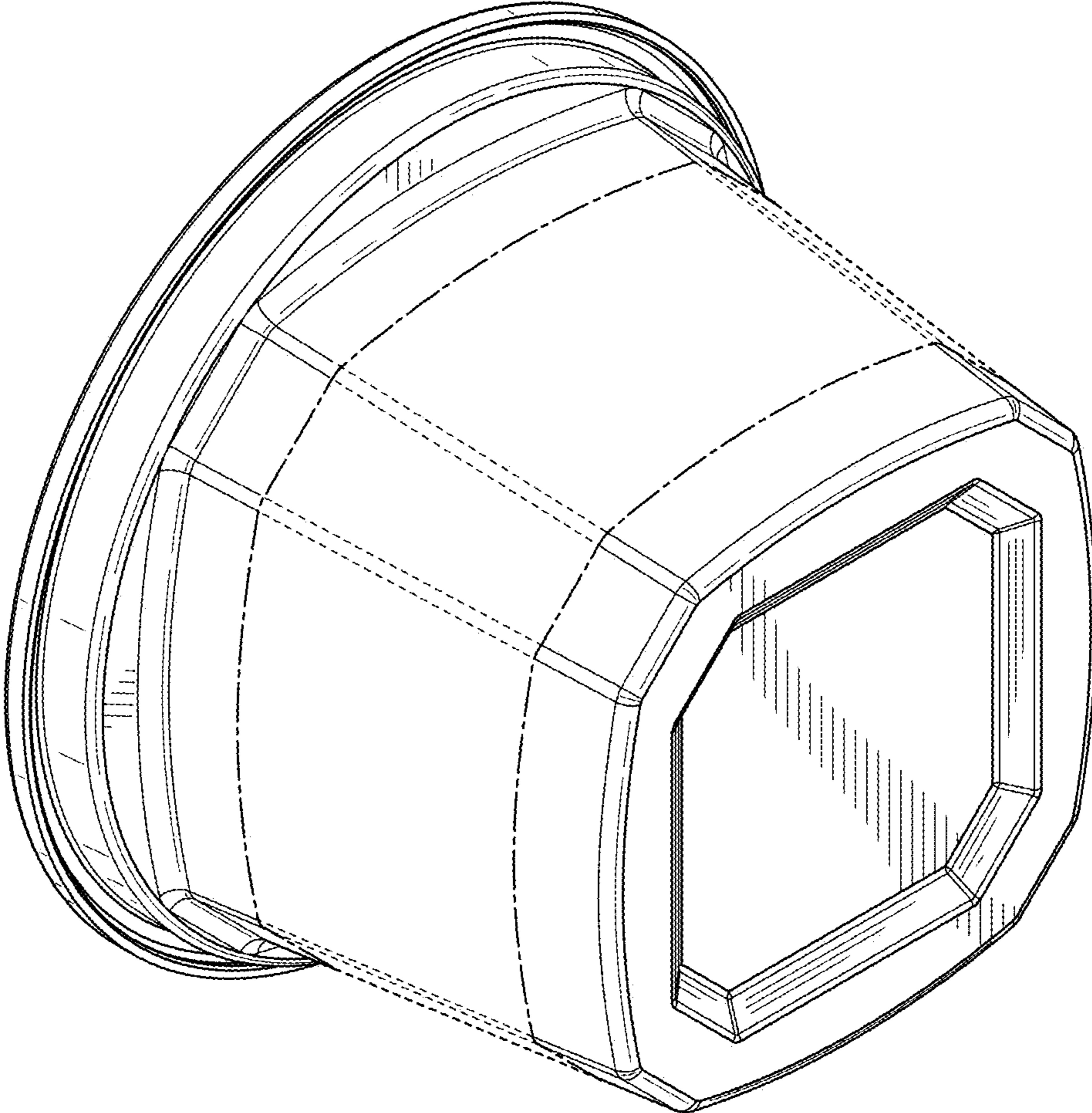


FIG. 2

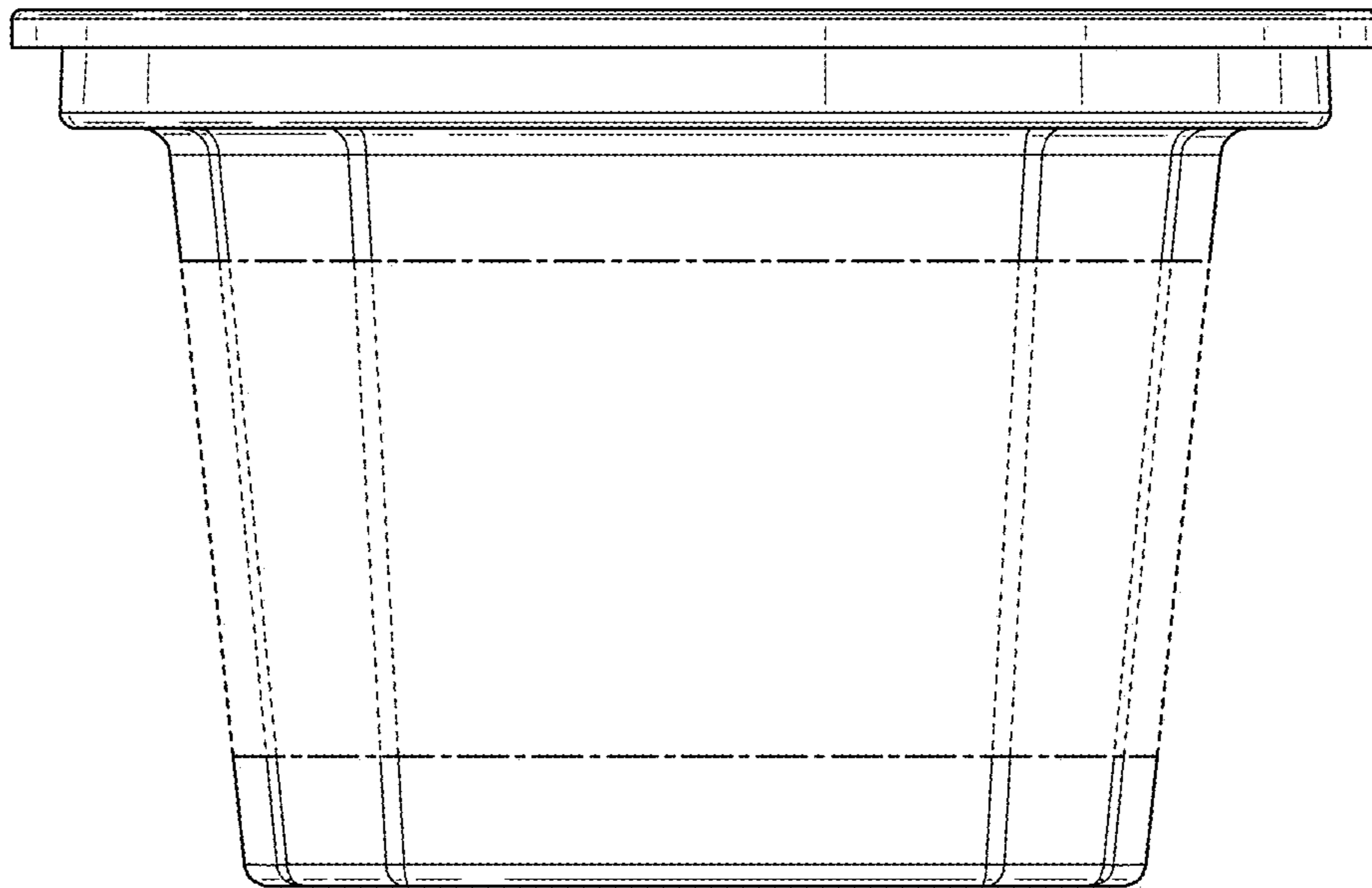


FIG. 3

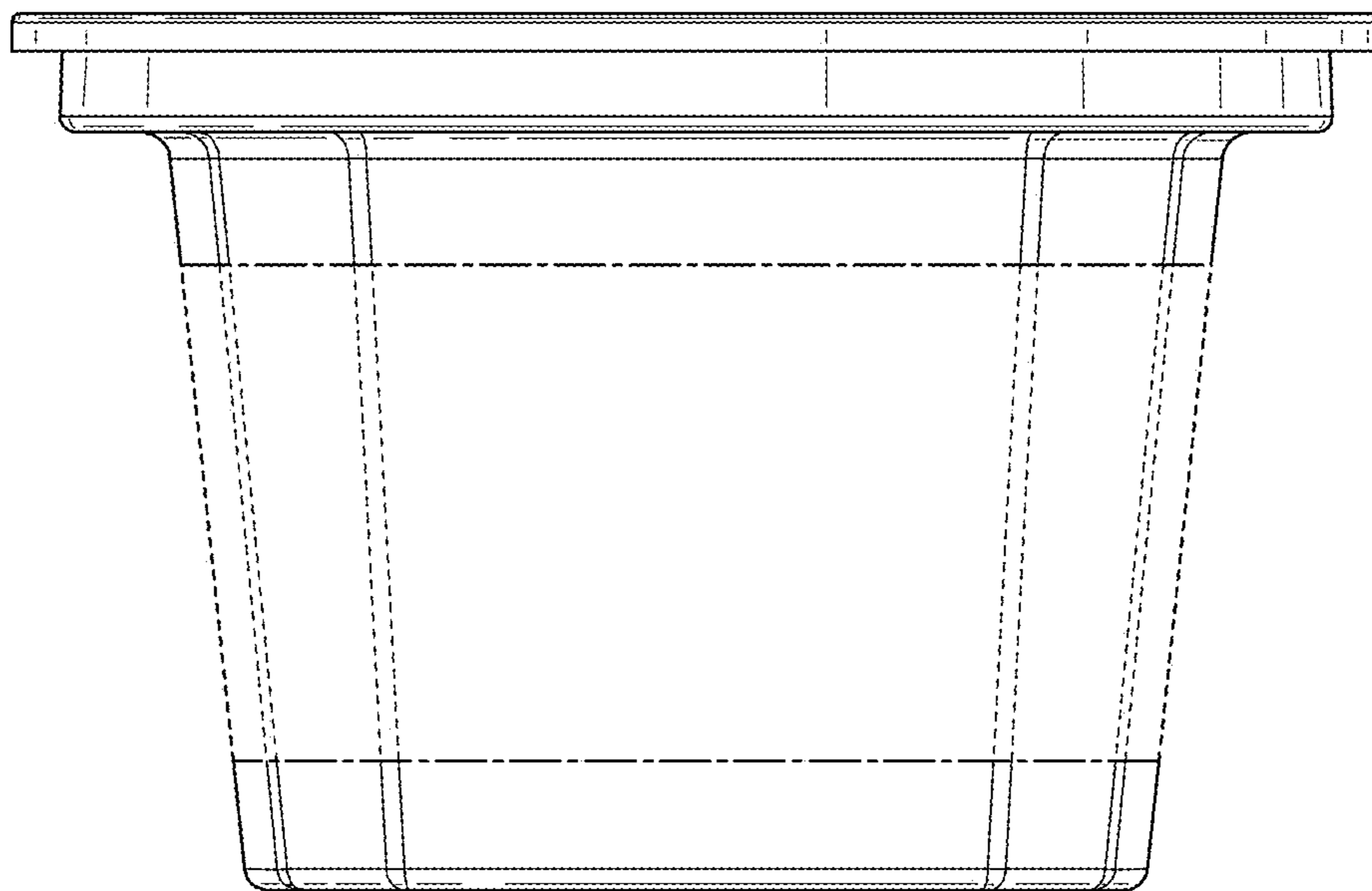


FIG. 4

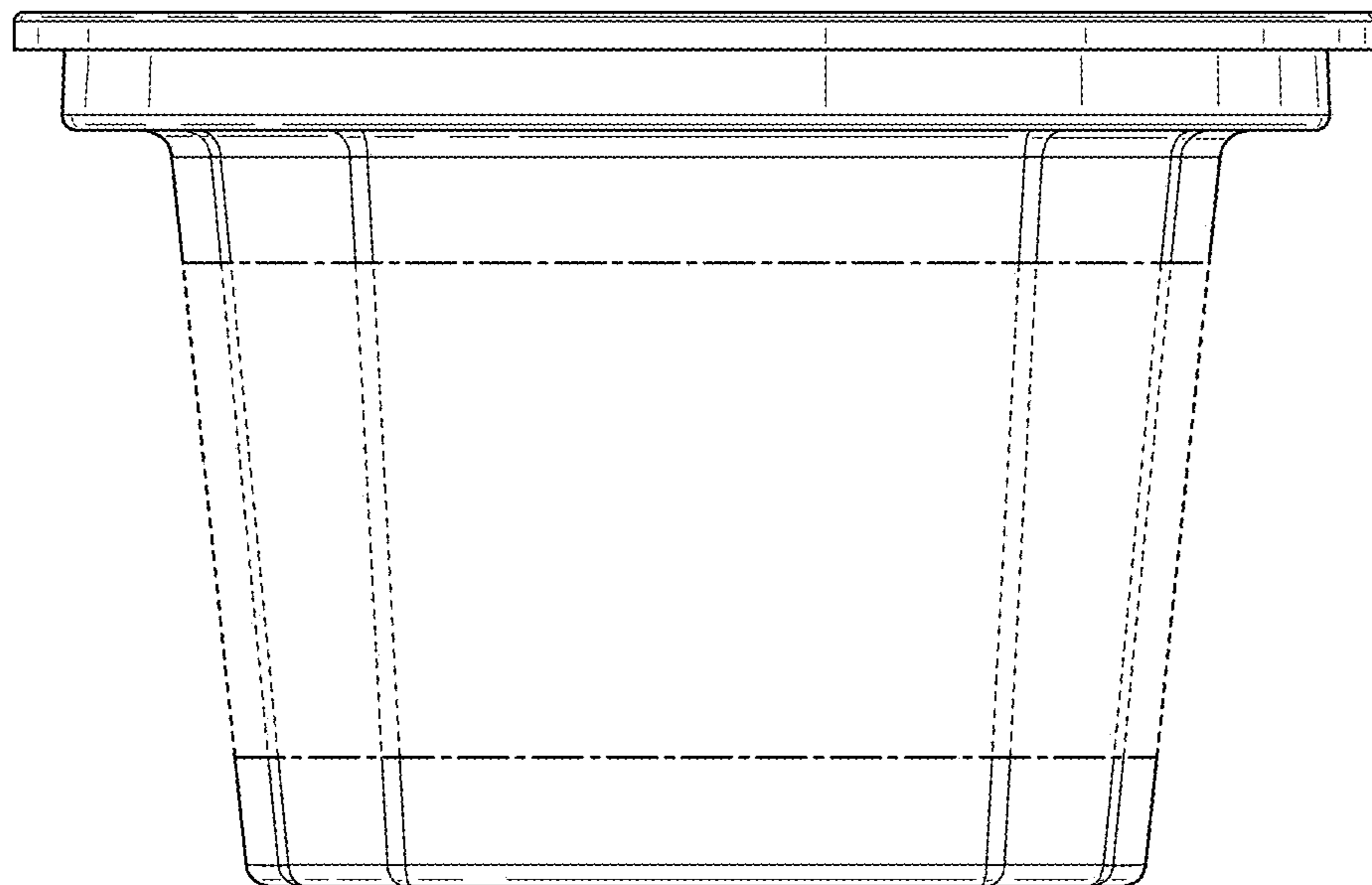


FIG. 5

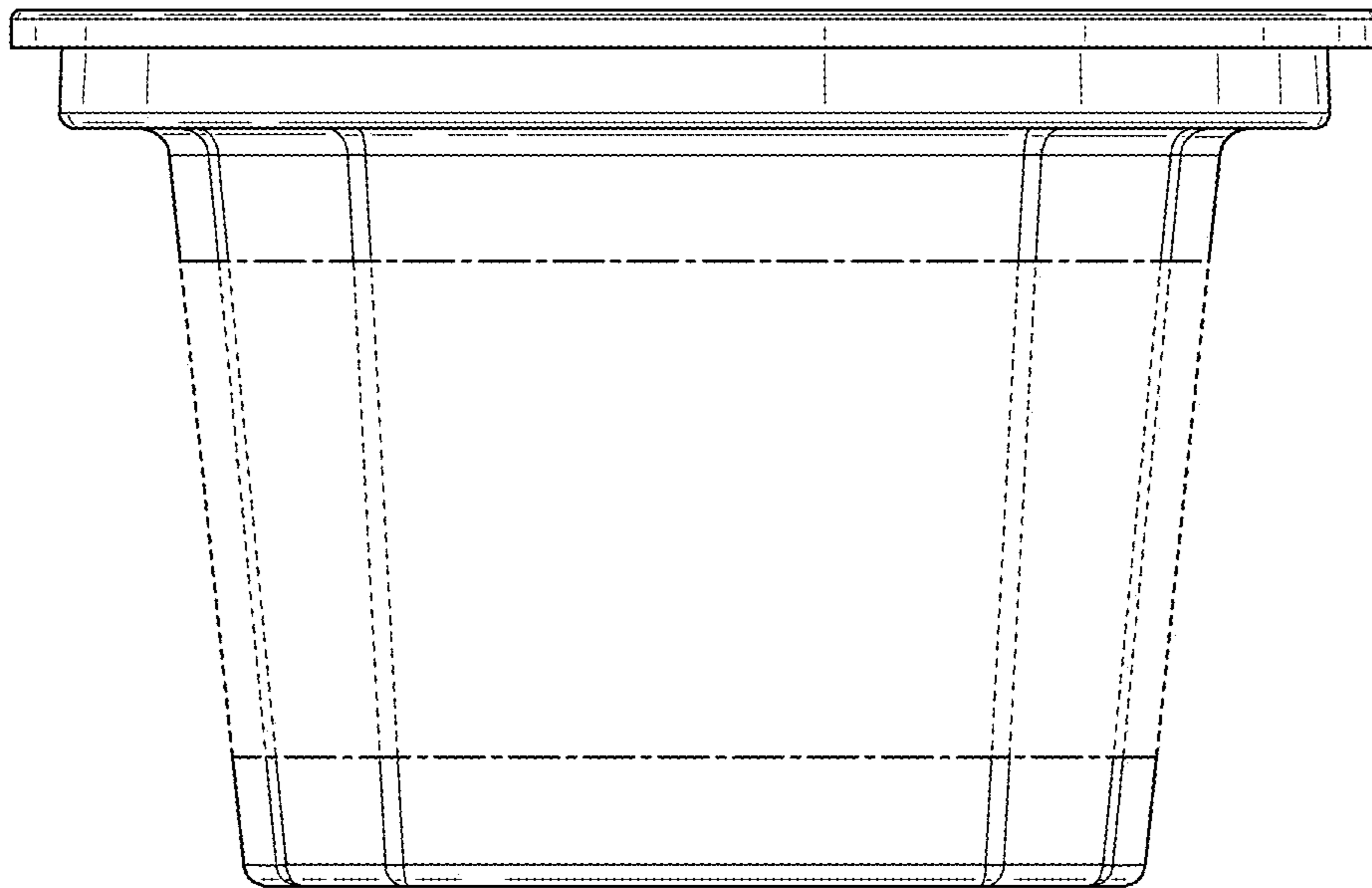


FIG. 6

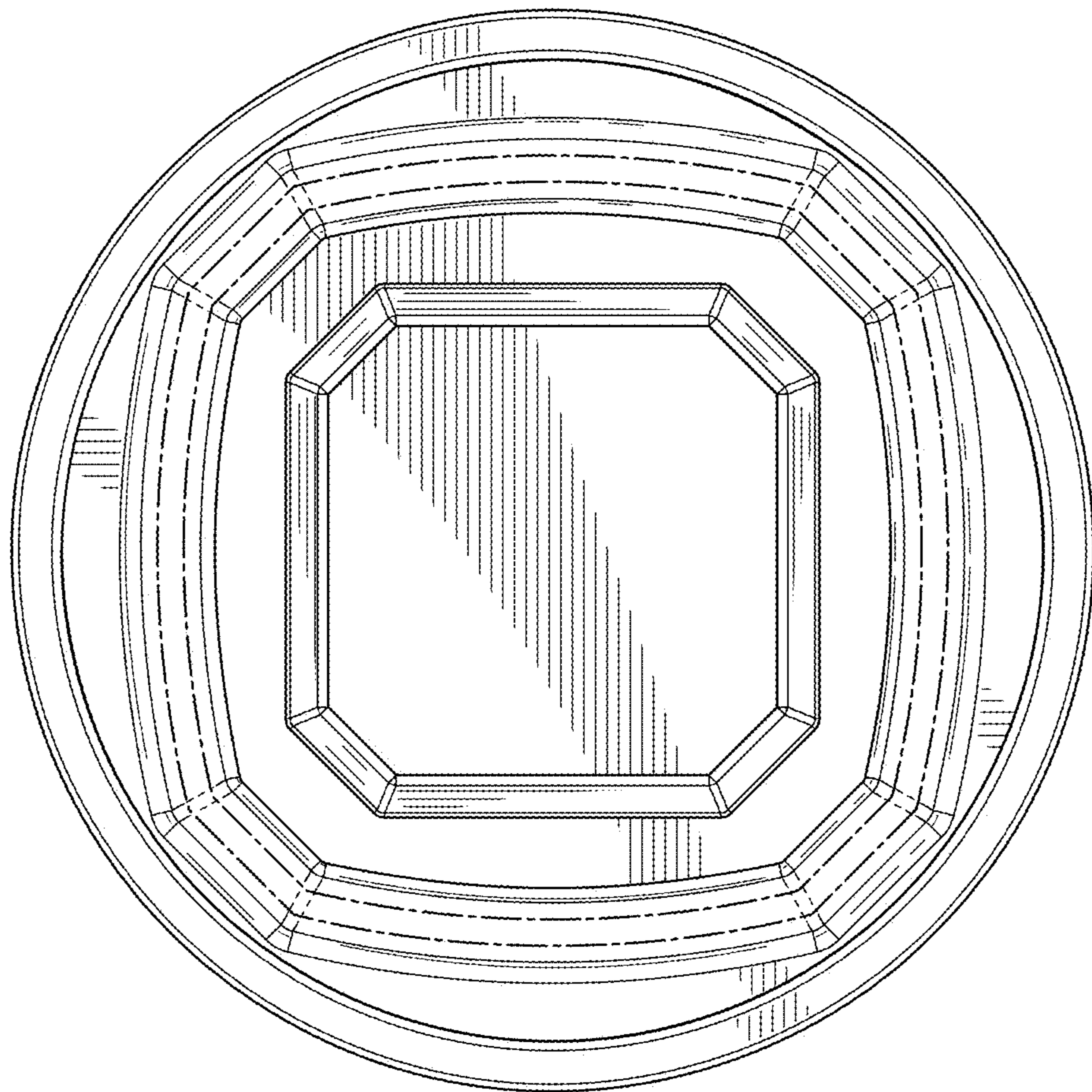


FIG. 7

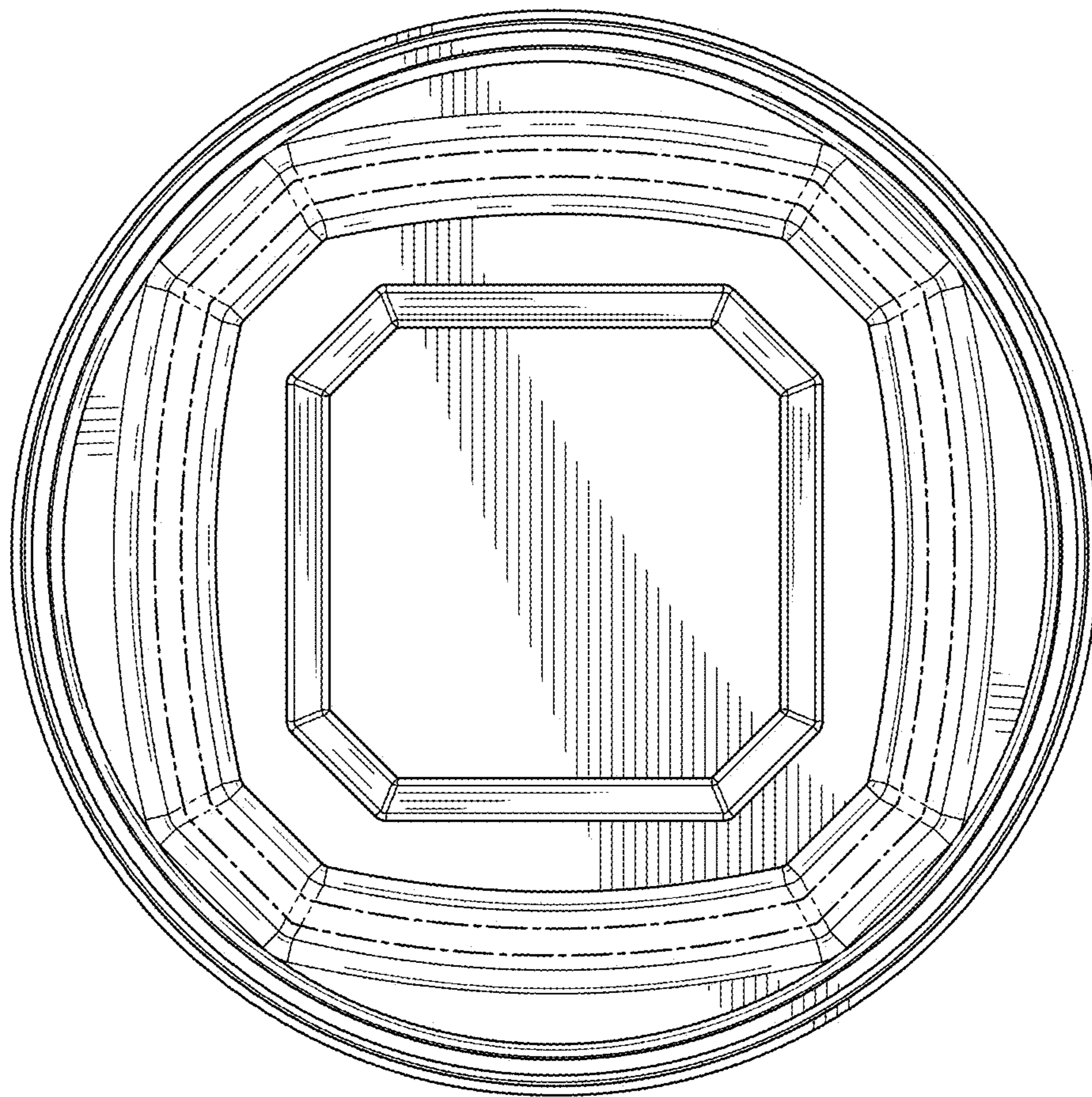


FIG. 8