



US00D766078S

(12) **United States Design Patent** (10) **Patent No.:** **US D766,078 S**  
**Hansen** (45) **Date of Patent:** **\*\* Sep. 13, 2016**

(54) **COFFEE CAPSULE**  
(71) Applicant: **Koninklijke Douwe Egberts B.V.**,  
Utrecht (NL)  
(72) Inventor: **Nicholas Hansen**, Banbury (GB)  
(73) Assignee: **Koninklijke Douwe Egberts B.V.**,  
Utrecht (NL)

D513,152 S \* 12/2005 Cahen ..... D7/399  
D539,643 S \* 4/2007 Abel ..... D9/414  
D559,623 S \* 1/2008 Schellenberg ..... D7/510  
D580,750 S \* 11/2008 Claassen ..... D9/428  
D606,363 S \* 12/2009 Aardenburg ..... D7/400  
D621,698 S \* 8/2010 Cometto ..... D9/424  
D628,883 S \* 12/2010 Stephens ..... D9/429  
D642,068 S \* 7/2011 Milewski ..... D9/696  
D642,454 S \* 8/2011 Santoiemmo ..... D9/428  
D649,870 S \* 12/2011 Cometto ..... D9/424

(Continued)

(\*\*) Term: **14 Years**

FOREIGN PATENT DOCUMENTS

(21) Appl. No.: **29/518,269**

AU 325052 3/2009  
AU 328833 11/2009

(22) Filed: **Feb. 20, 2015**

(Continued)

(30) **Foreign Application Priority Data**

Aug. 21, 2014 (EM) ..... 002522714

(51) **LOC (10) Cl.** ..... **09-03**

(52) **U.S. Cl.**  
USPC ..... **D9/416**

(58) **Field of Classification Search**  
USPC ..... D9/414-418, 425, 500, 428, 429, 434,  
D9/503, 696; 426/112, 80; D7/400, 523,  
D7/399, 510; 53/282; 206/822; D1/199  
CPC .... B31B 3/00; B65D 85/8043; B65D 51/28;  
B65B 7/16  
See application file for complete search history.

*Primary Examiner* — Holly Baynham

*Assistant Examiner* — Rhea Shields

(74) *Attorney, Agent, or Firm* — Fitch, Even, Tabin &  
Flannery LLP

(57) **CLAIM**

The ornamental design for coffee capsule, as shown and  
described.

**DESCRIPTION**

FIG. 1 is a front elevation view of a coffee capsule, showing  
my new design;  
FIG. 2 is a left side view thereof;  
FIG. 3 is a rear view thereof;  
FIG. 4 is a right side view thereof;  
FIG. 5 is a top plan view thereof;  
FIG. 6 is a bottom plan view thereof; and,  
FIG. 7 is a rear view thereof.

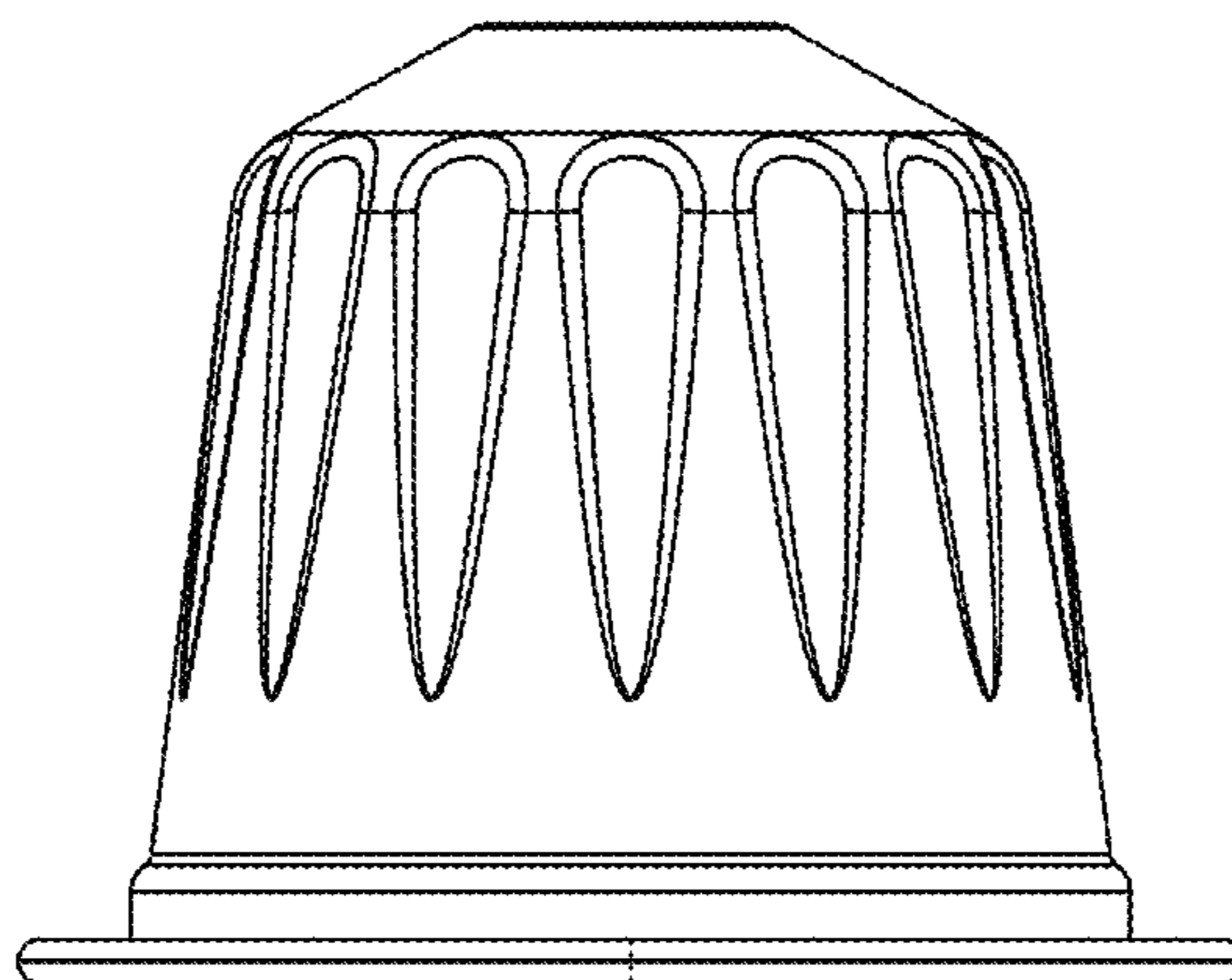
It will be understood that all lines are intended to convey the  
full disclosure and variations of the designs and such varia-  
tions shall be understood to be fully described herein. It will  
also be understood that any and all solid lines may be  
converted to broken lines, whether in subsequent division or  
continuation applications and/or by amendment.

**1 Claim, 4 Drawing Sheets**

(56) **References Cited**

U.S. PATENT DOCUMENTS

3,527,020 A \* 9/1970 Mancini ..... B65B 7/16  
53/282  
D260,243 S \* 8/1981 Dogliotti ..... D7/400  
D275,179 S \* 8/1984 Spencer ..... D9/428  
D317,120 S \* 5/1991 Schwartzburg ..... D9/435  
5,064,073 A \* 11/1991 Folland ..... B65D 51/28  
206/822  
D372,738 S \* 8/1996 Akerlind ..... D1/199  
D381,558 S \* 7/1997 Schaefer ..... D7/523  
D422,841 S \* 4/2000 Milford ..... D7/523  
D445,677 S \* 7/2001 Lindsay ..... D9/425



(56)

## References Cited

## U.S. PATENT DOCUMENTS

D652,718 S \* 1/2012 Caldwell ..... D9/434  
 D658,493 S \* 5/2012 Cometto ..... D9/503  
 D686,496 S \* 7/2013 Strauli ..... D9/434  
 D689,768 S \* 9/2013 Inderbitzin ..... D9/429  
 D694,112 S \* 11/2013 Brown ..... D9/428  
 D695,110 S \* 12/2013 Houlton ..... D9/500  
 D697,794 S \* 1/2014 De Pra ..... D9/425  
 D699,566 S \* 2/2014 De Pra ..... D9/425  
 D703,035 S \* 4/2014 Zanetti ..... D9/416  
 D703,039 S 4/2014 Hansen  
 D708,057 S 7/2014 Hansen  
 2011/0212225 A1\* 9/2011 Mariller ..... B65D 85/8043  
 426/80  
 2013/0136828 A1\* 5/2013 Anghileri ..... B31B 3/00  
 426/112  
 2014/0004231 A1 1/2014 Norton et al.

## FOREIGN PATENT DOCUMENTS

AU 330473 4/2010  
 AU 330474 4/2010  
 AU 333393 9/2010  
 AU 333202 10/2010  
 AU 335636 3/2011  
 AU 335637 3/2011  
 AU 335638 3/2011  
 AU 336633 4/2011  
 AU 336634 4/2011  
 AU 340237 12/2011  
 AU 341094 1/2012  
 AU 344361 8/2012  
 AU 344362 8/2012  
 AU 344363 8/2012  
 AU 344366 8/2012  
 AU 344367 8/2012  
 AU 344368 8/2012  
 AU 345376 8/2012  
 AU 345377 8/2012  
 AU 345378 8/2012  
 AU 345379 8/2012  
 AU 345380 8/2012  
 AU 345381 8/2012  
 AU 345382 8/2012  
 AU 345384 8/2012  
 AU 345386 8/2012  
 AU 345387 8/2012  
 AU 345383 9/2012  
 AU 347644 11/2012  
 AU 349422 6/2013  
 AU 349423 6/2013  
 AU 350534 7/2013  
 AU 351747 9/2013  
 AU 351935 10/2013  
 DE 402009005352-0001 4/2013  
 DE 402009005352-0002 4/2013  
 DE 402010002779-0001 9/2013  
 DE 402010002779-0002 9/2013  
 DE 402010002779-0003 9/2013  
 DE 402010002779-0004 9/2013  
 DE 402010002779-0005 9/2013  
 DE 402010002779-0006 9/2013  
 DE 402010002779-0007 9/2013  
 DE 402010002779-0008 9/2013  
 DE 402010002779-0009 9/2013  
 DE 402011004557-0004 9/2013  
 DK MR 1999 01253 12/1999  
 EM 422878-1 11/2005  
 EM CD 531363-1 5/2006  
 EM CD 531363-2 5/2006  
 EM CD 531363-3 5/2006  
 EM CD 531363-4 5/2006  
 EM CD 1191324-1 1/2010  
 EM CD 1212997-3 5/2010  
 EM CD 1212997-4 5/2010  
 EM CD 1773342-1 10/2010

EM CD 1261556-1 2/2011  
 EM CD 1287197-2 7/2011  
 EM CD 1287197-3 7/2011  
 EM CD 1933664-1 10/2011  
 EM CD 1957630-1 12/2011  
 EM CD 1957630-2 12/2011  
 EM CD 1957630-3 12/2011  
 EM CD 1957630-4 12/2011  
 EM CD 1992603-1 2/2012  
 EM CD 1992603-2 2/2012  
 EM CD 1992603-5 2/2012  
 EM CD 1992603-6 2/2012  
 EM CD 1992603-7 2/2012  
 EM CD 1992603-8 2/2012  
 EM CD 1992603-9 2/2012  
 EM CD 1999814-1 2/2012  
 EM CD 2005850-1 3/2012  
 EM CD 2020149-1 4/2012  
 EM CD 2020149-2 4/2012  
 EM CD 2020149-3 4/2012  
 EM CD 2020149-4 4/2012  
 EM CD 2051003-1 6/2012  
 EM CD 2060962-1 6/2012  
 EM CD 1347355-1 10/2012  
 EM CD 2175992-1 1/2013  
 EM CD 2175992-2 1/2013  
 EM CD 2175992-3 1/2013  
 EM CD 2175992-4 1/2013  
 EM CD 2175992-5 1/2013  
 EM CD 2175992-6 1/2013  
 EM CD 2175992-7 1/2013  
 EM CD 2175992-8 1/2013  
 EM CD 2175992-9 1/2013  
 EM CD 2175992-10 1/2013  
 EM 1364228-2 3/2013  
 EM 1364228-3 3/2013  
 EM 1366207-1 3/2013  
 EM CD 1363683-1 3/2013  
 EM CD 1363683-2 3/2013  
 EM CD 1364228-1 3/2013  
 EM CD 1366207-2 3/2013  
 EM CD 2197962-1 3/2013  
 EM CD 2197962-2 3/2013  
 EM CD 2197962-3 3/2013  
 EM CD 2197962-4 3/2013  
 EM CD 2197962-5 3/2013  
 EM CD 2197962-6 3/2013  
 EM CD 2197962-7 3/2013  
 EM CD 2272542-1 11/2013  
 EP 2476633 7/2012  
 ES 10145780 11/1999  
 ES 10151545 5/2002  
 ES 10156581 7/2003  
 ES D0514533-01 4/2012  
 ES D0514533-02 4/2012  
 ES D0514533-03 4/2012  
 ES D0514533-04 4/2012  
 ES D0514533-05 4/2012  
 ES D0514533-06 4/2012  
 ES D0514533-07 4/2012  
 ES D0514533-08 4/2012  
 ES D0514533-09 4/2012  
 ES D0514533-10 4/2012  
 FR 876567-001 11/1987  
 FR 892853-001 4/1989  
 FR 945550-001 10/1994  
 FR 090835-001 2/2009  
 FR 20132085 5/2013  
 NZ 28494 11/1996  
 NZ 403349 3/2003  
 NZ 402789 7/2003  
 NZ 409819 1/2008  
 NZ 410835 8/2008  
 NZ 413978 10/2010  
 NZ 416717 9/2012  
 NZ 416718 9/2012  
 NZ 417255 1/2013  
 NZ 417442 3/2013  
 NZ 417443 3/2013

(56)

References Cited

FOREIGN PATENT DOCUMENTS

NZ 417444 3/2013  
 SE 64625 2/2000  
 SE 68291 2/2002  
 WO 036897-1 7/1996  
 WO 060793-2 6/2002  
 WO 062971-8 12/2002  
 WO 062971-9 12/2002  
 WO 068453-1 1/2007  
 WO 071155-1 12/2008  
 WO 071155-2 12/2008  
 WO 071155-3 12/2008  
 WO 071155-4 12/2008  
 WO 071865-1 6/2009  
 WO 2009084059 7/2009  
 WO 2010041179 4/2010  
 WO 074454-1 9/2010  
 WO 074454-2 9/2010  
 WO 074454-3 9/2010  
 WO 074454-4 9/2010  
 WO 074765-1 11/2010  
 WO 074765-2 11/2010  
 WO 074765-3 11/2010  
 WO 074793-1 11/2010  
 WO 074793-2 11/2010  
 WO 074793-3 11/2010

WO 074793-4 11/2010  
 WO 074793-5 11/2010  
 WO 074793-6 11/2010  
 WO 074793-7 11/2010  
 WO 074793-8 11/2010  
 WO 074793-9 11/2010  
 WO 074958-1 12/2010  
 WO 074958-2 12/2010  
 WO 074958-3 12/2010  
 WO 074958-4 12/2010  
 WO 075811-2 4/2011  
 WO 075811-3 4/2011  
 WO 077160-1 11/2011  
 WO 077160-2 11/2011  
 WO 077320-1 11/2011  
 WO 039556-1 3/2012  
 WO 079191-1 9/2012  
 WO 079418-1 9/2012  
 WO 073942-1 10/2012  
 WO 080491-1 3/2013  
 WO 080491-2 3/2013  
 WO 080491-3 3/2013  
 WO 080491-4 3/2013  
 WO 080491-5 3/2013  
 WO 080491-6 3/2013  
 WO 080491-7 3/2013  
 WO 080491-8 3/2013  
 WO 080491-9 3/2013

\* cited by examiner

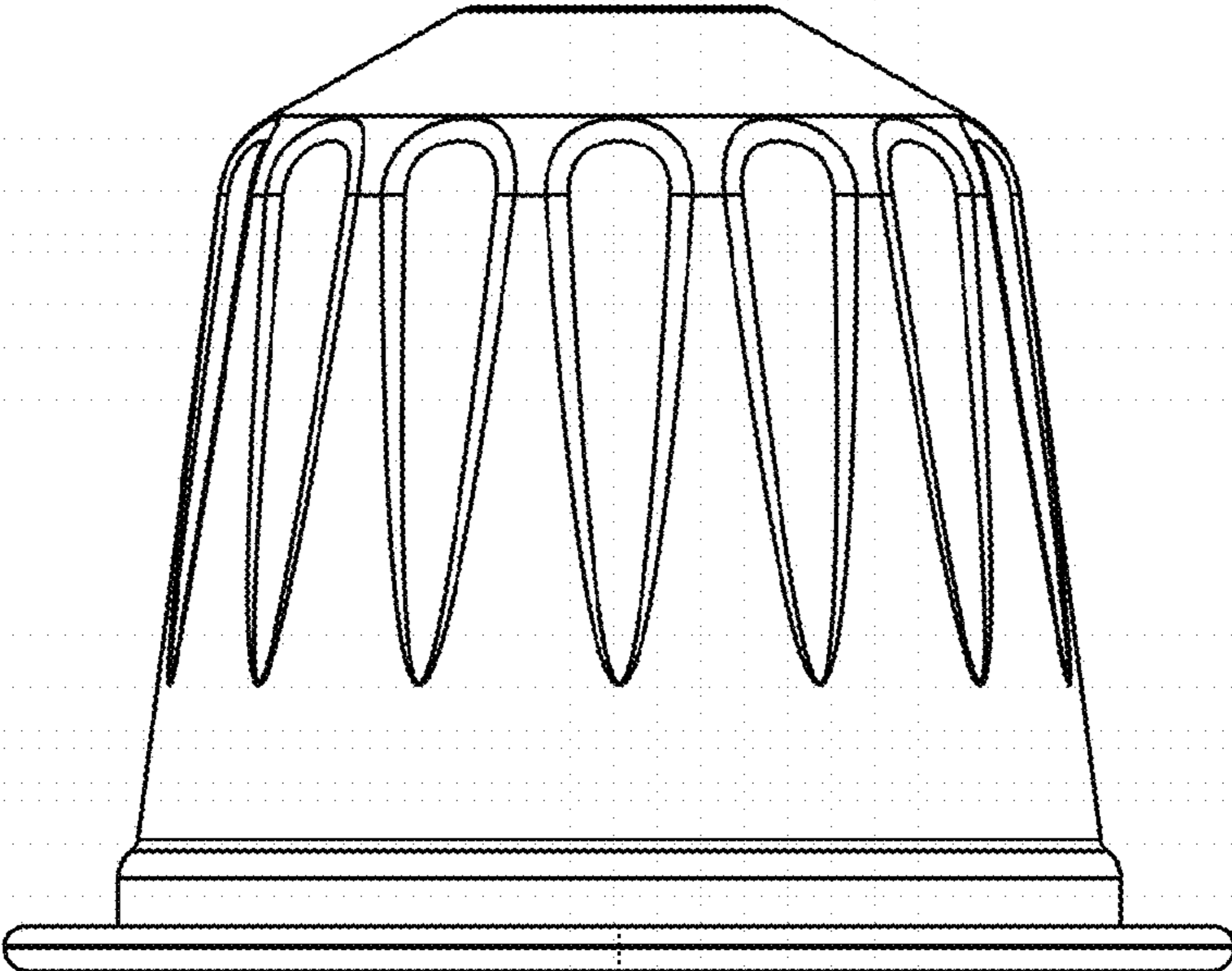


Fig. 1

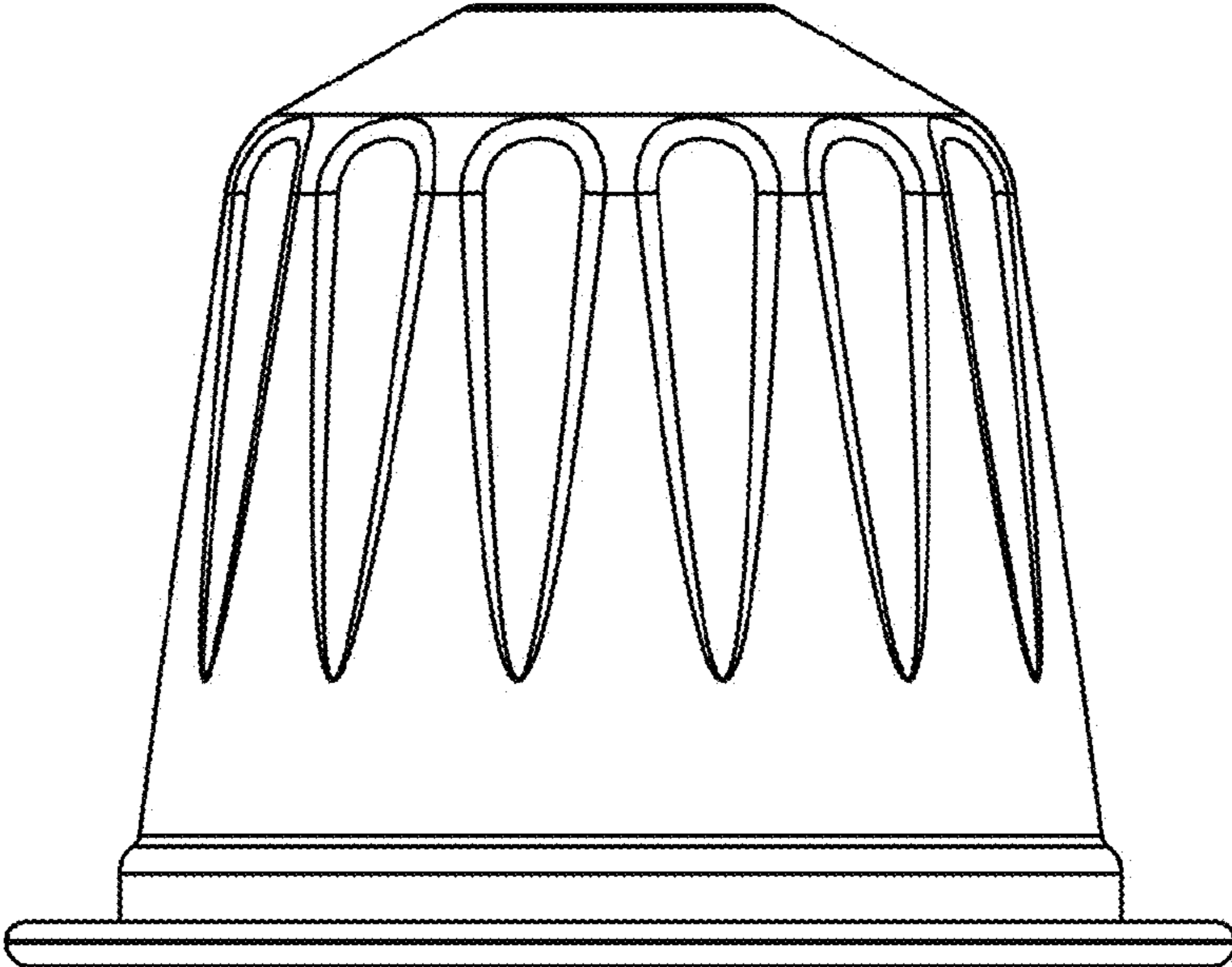


Fig. 2

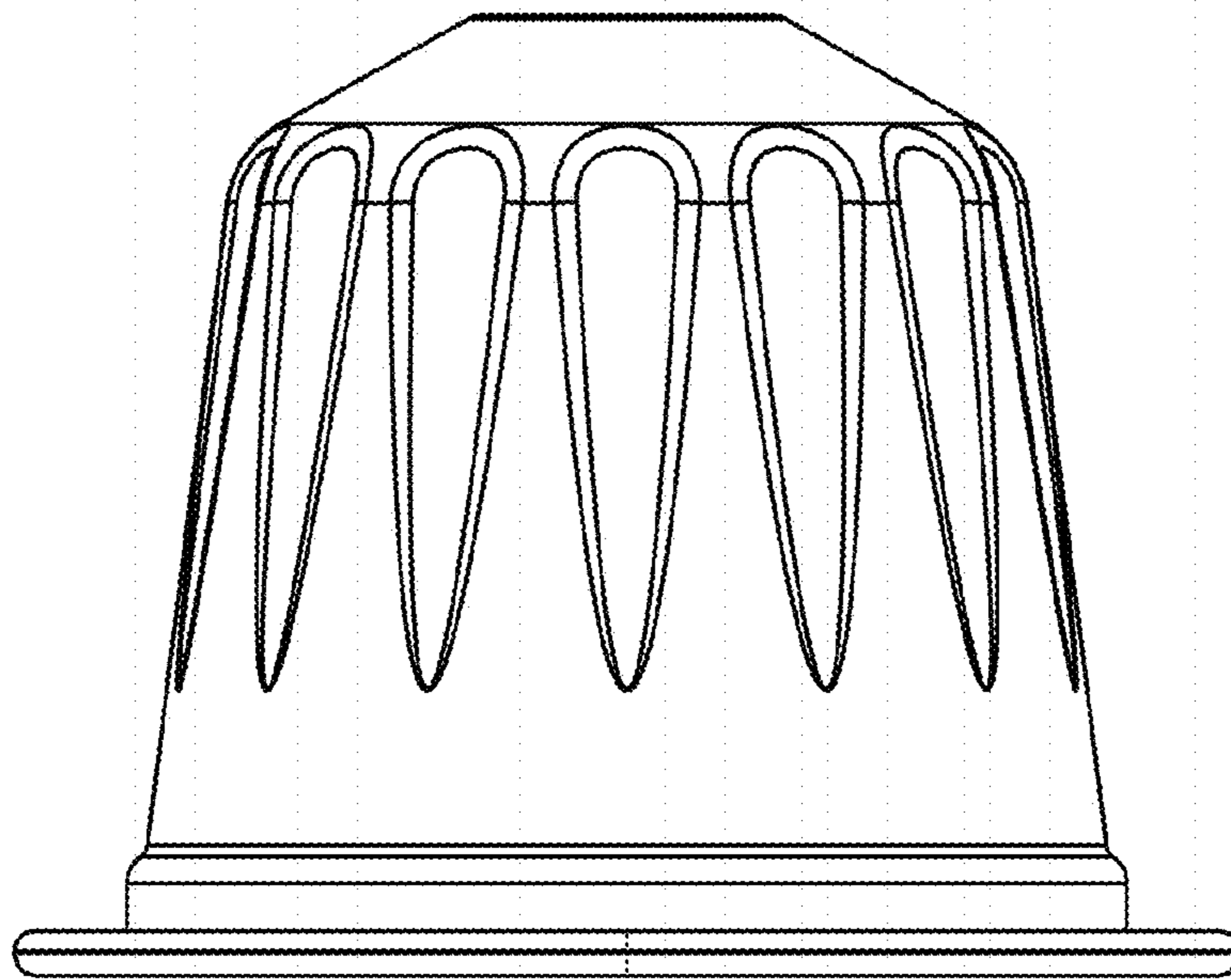


Fig. 3

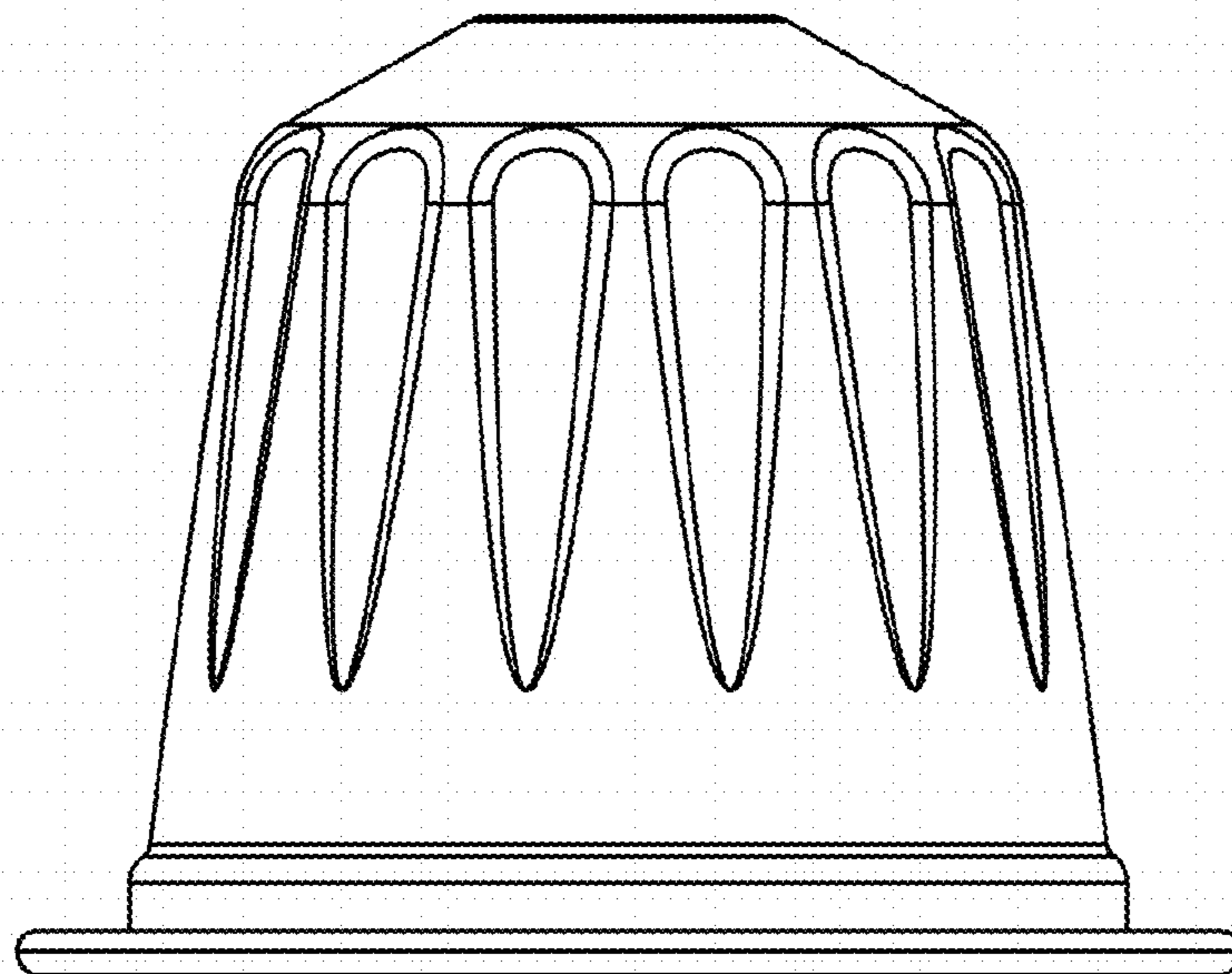


Fig. 4

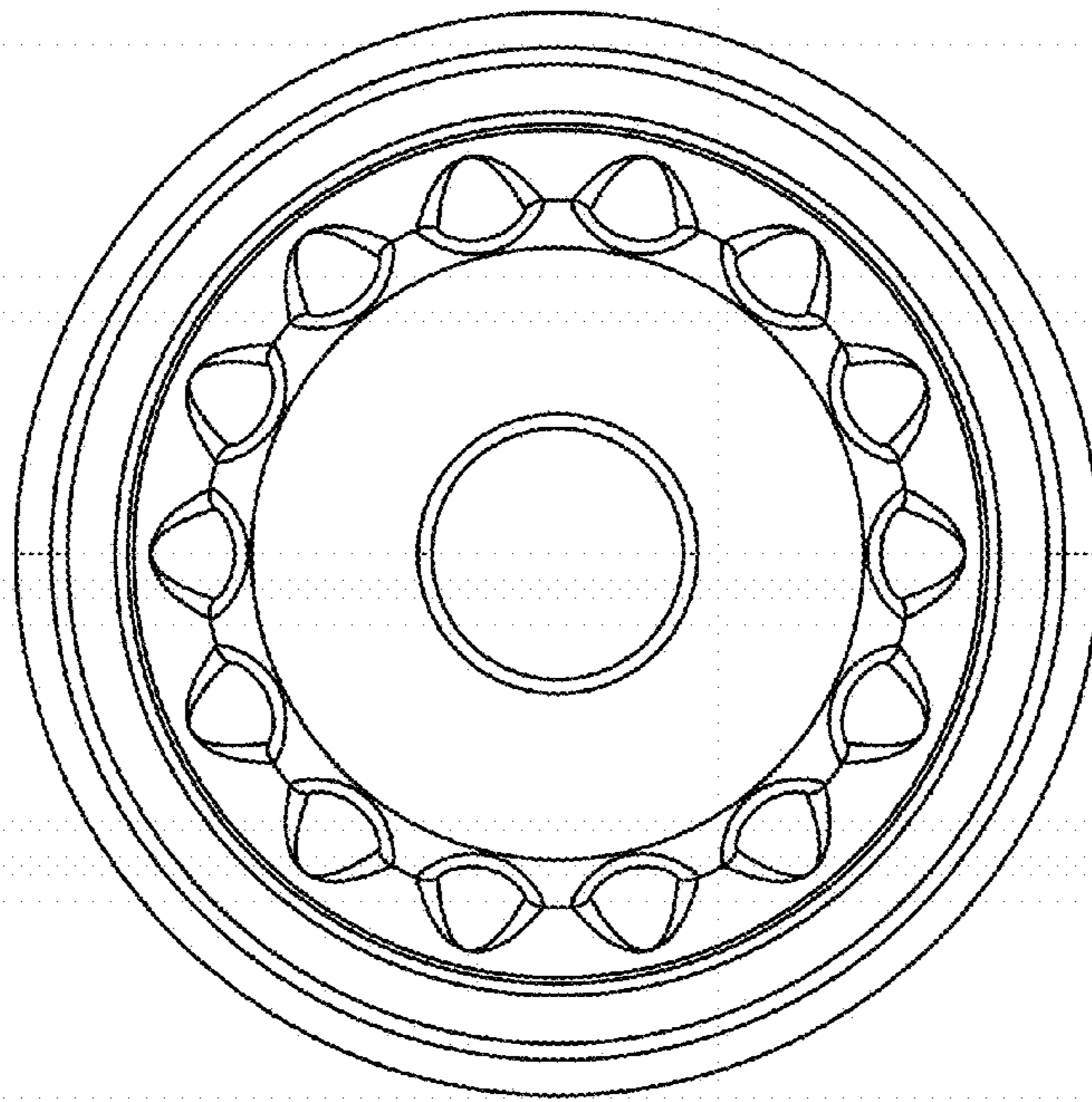


Fig. 5

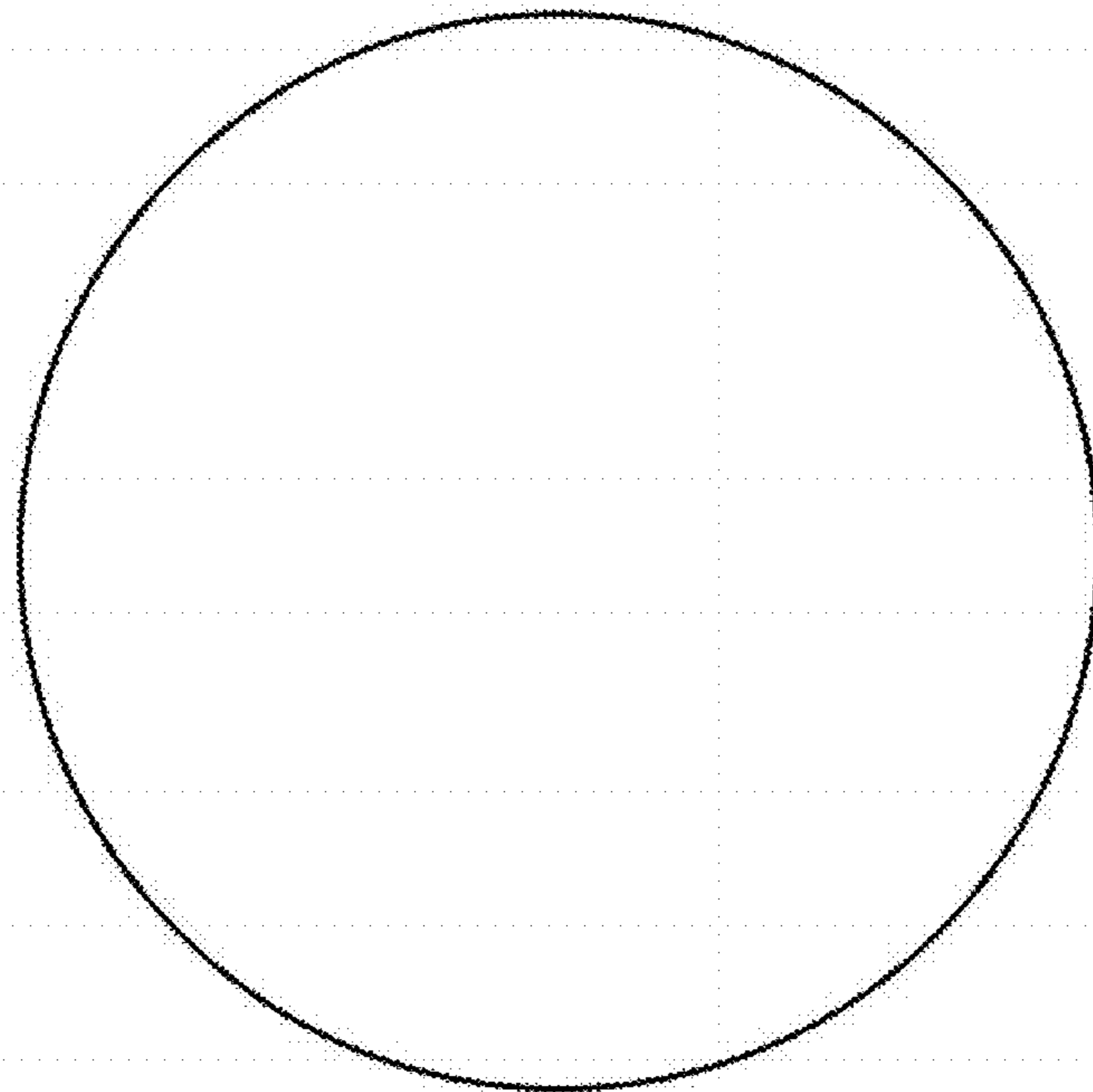


Fig. 6

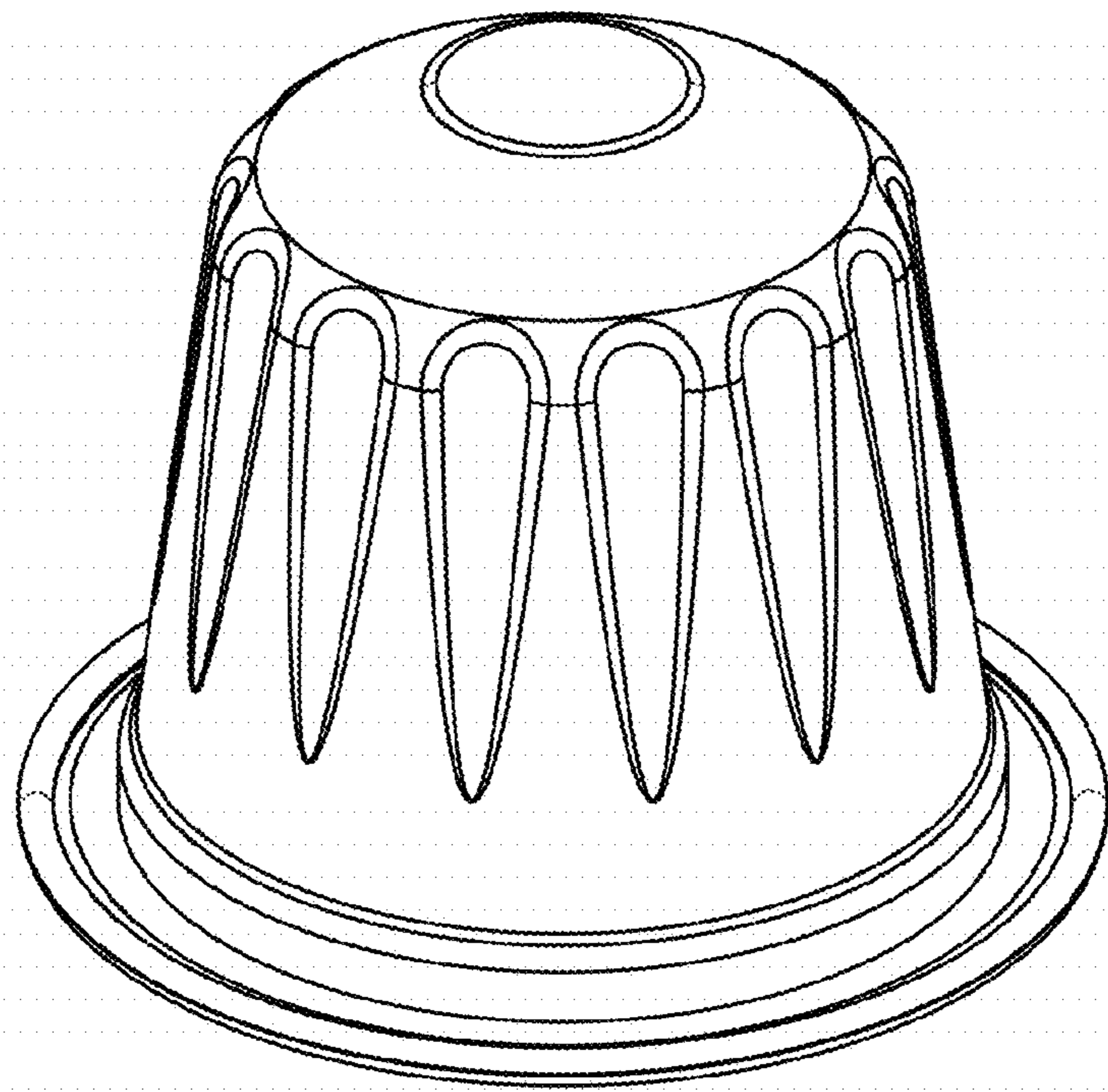


Fig. 7