

US00D766075S

(12) **United States Design Patent** (10) **Patent No.:** **US D766,075 S**
Milbank (45) **Date of Patent:** **** Sep. 13, 2016**

(54) MIRROR CLAMP	D337,934 S * 8/1993 Young	D8/355
	5,947,424 A * 9/1999 Heath	F16B 2/065 248/228.1
(71) Applicant: Milenco Limited , Milton Keynes, Buckinghamshire (GB)	D435,417 S * 12/2000 Miller	D8/72
	D435,771 S * 1/2001 Miller	D8/72
(72) Inventor: Frederick Nigel Milbank , Milton Keynes (GB)	D443,493 S * 6/2001 Skeem	D8/72
	D494,848 S * 8/2004 Brass	D8/382
	6,857,881 B1 * 2/2005 Balfour	H01R 4/40 439/803
(73) Assignee: MILENCO UNLIMITED , Buckinghamshire (GB)	6,935,869 B1 * 8/2005 Auclair	H01R 4/38 174/51
	D556,531 S * 12/2007 Allen	D8/72
(**) Term: 14 Years	D568,135 S * 5/2008 Pribyl	D8/73
	D568,708 S * 5/2008 Petruccelli	D8/73

(Continued)

(21) Appl. No.: **29/487,549**

(22) Filed: **Apr. 9, 2014**

(30) **Foreign Application Priority Data**

Oct. 9, 2013 (EM) 002322966

(51) **LOC (10) Cl.** **08-08**

(52) **U.S. Cl.**
USPC **D8/394; D8/72**

(58) **Field of Classification Search**
USPC D8/396, 394, 356; D23/262; 24/274 R,
24/279, 276; 285/252, 253, 410, 364, 407
CPC .. A62C 13/78; A47K 10/14; A47G 25/0657;
A47G 1/21; E05C 19/145; B63B 19/24;
F16L 33/12; F16L 33/08; F16L 33/02
See application file for complete search history.

(56) **References Cited**

U.S. PATENT DOCUMENTS

D172,863 S *	8/1954	Buckley	D8/73
3,321,161 A *	5/1967	Hirt	F16L 3/24 248/327
3,896,769 A *	7/1975	McGehee	A01K 13/00 119/786
4,019,705 A *	4/1977	Habuda, Sr.	F16L 3/11 248/228.6
4,140,307 A *	2/1979	Dalmau	B23Q 1/50 269/71
D267,625 S *	1/1983	Dark	D8/72
D334,590 S *	4/1993	Villano	D19/59

FOREIGN PATENT DOCUMENTS

GB	4000160	6/2007
GB	2444919	5/2008
GB	2488775	12/2012

Primary Examiner — John Windmuller

(74) *Attorney, Agent, or Firm* — Bryant J. Keller; Kirton
McConkie, PC

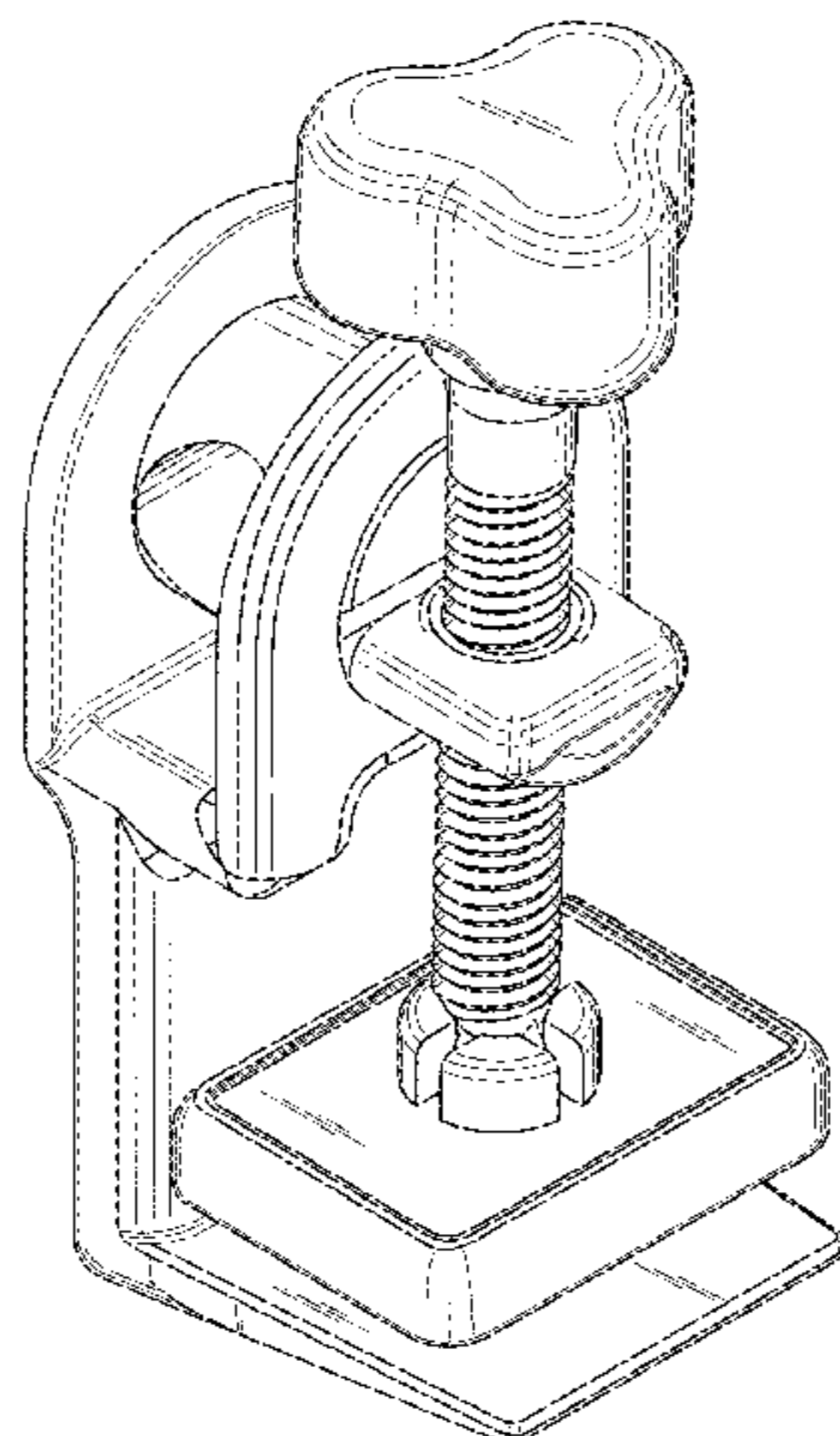
(57) **CLAIM**

The ornamental design for a mirror clamp, as shown and
described.

DESCRIPTION

FIG. 1 is a front, left side perspective view showing my new
design, wherein the front, right side perspective view is a
mirror image thereof;
FIG. 2 is a left side elevation view thereof, wherein the right
side elevation view is a mirror image thereof;
FIG. 3 is a front elevation view thereof;
FIG. 4 is a bottom plan view thereof;
FIG. 5 is a top plan view thereof;
FIG. 6 is a back elevation view thereof; and,
FIG. 7 is a front, left side perspective view thereof, coupled
with a mirror.
The broken line showing of a mirror in FIG. 7 depicts
environment that forms no part of the claimed design.

1 Claim, 6 Drawing Sheets



(56)

References Cited

U.S. PATENT DOCUMENTS

D576,463 S * 9/2008 Franks, Jr. D8/72
D577,560 S * 9/2008 Franks, Jr. D8/72
D597,813 S * 8/2009 Livingston, Jr. D8/72
D615,498 S * 5/2010 Lalancette D13/149

D631,525 S * 1/2011 Smith D22/108
D668,522 S * 10/2012 Henderson D8/73
D693,281 S 11/2013 Milbank
D711,718 S * 8/2014 Francaviglia D13/149
8,882,056 B2 * 11/2014 Greenfield F16L 3/24
248/228.6

* cited by examiner

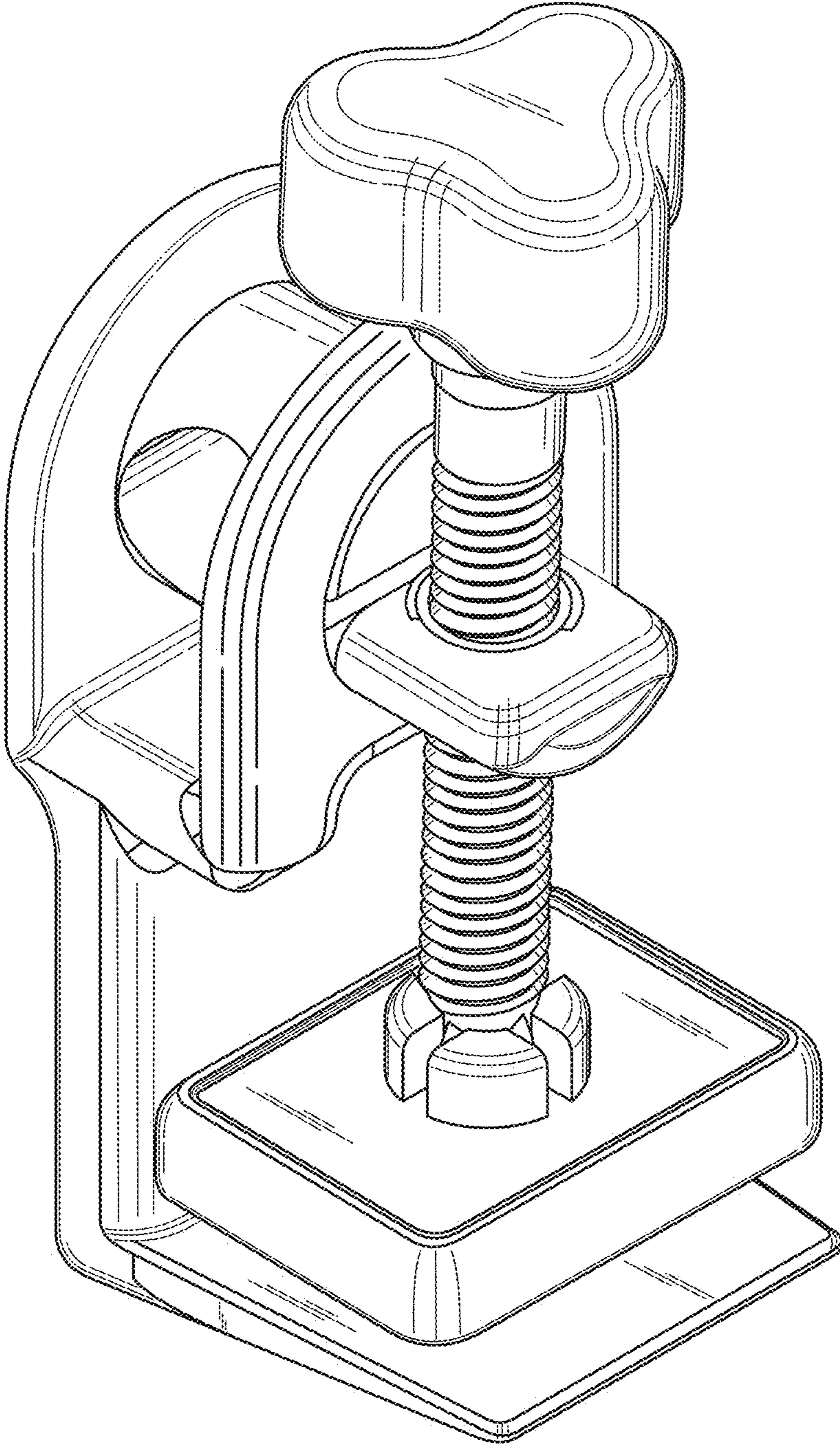


Fig. 1

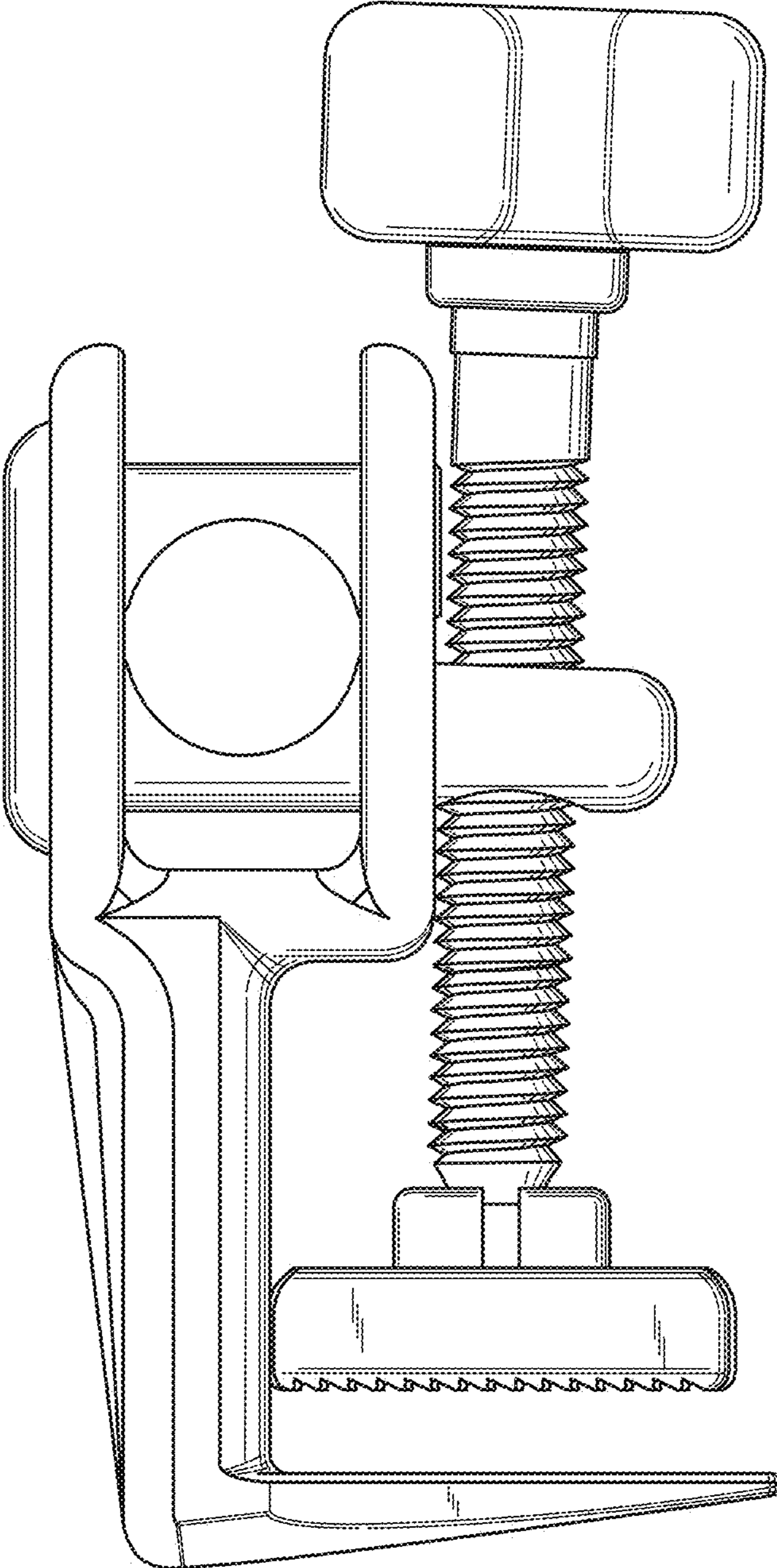


Fig. 2

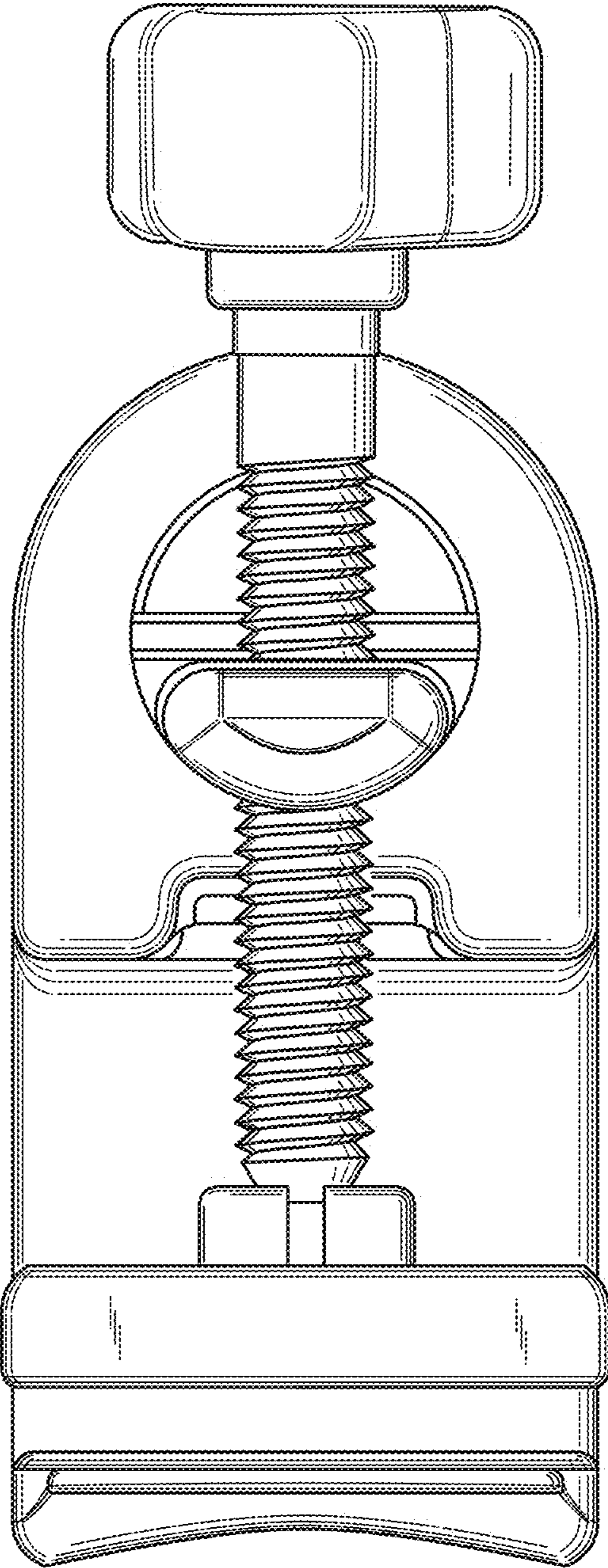


Fig. 3

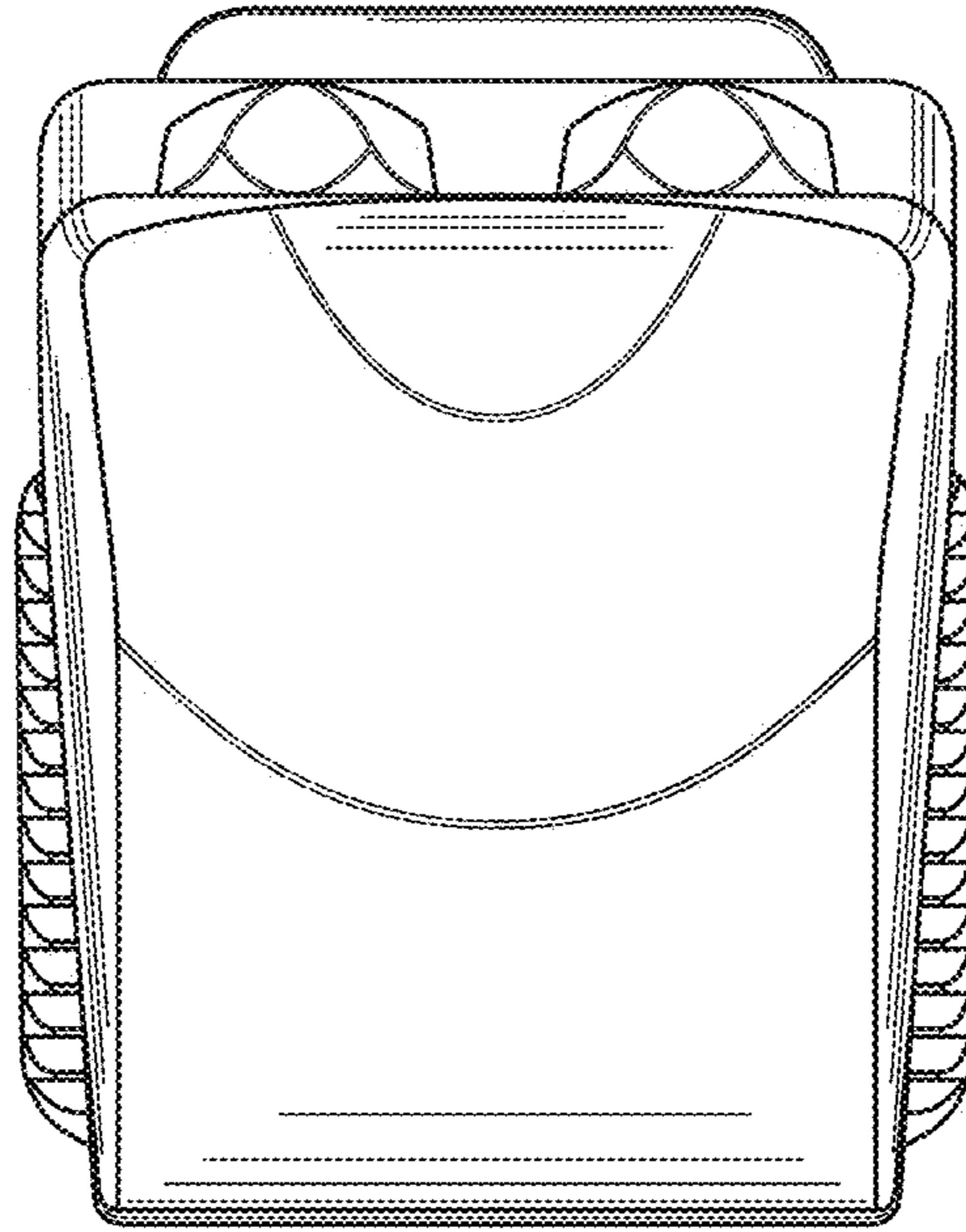


Fig. 4

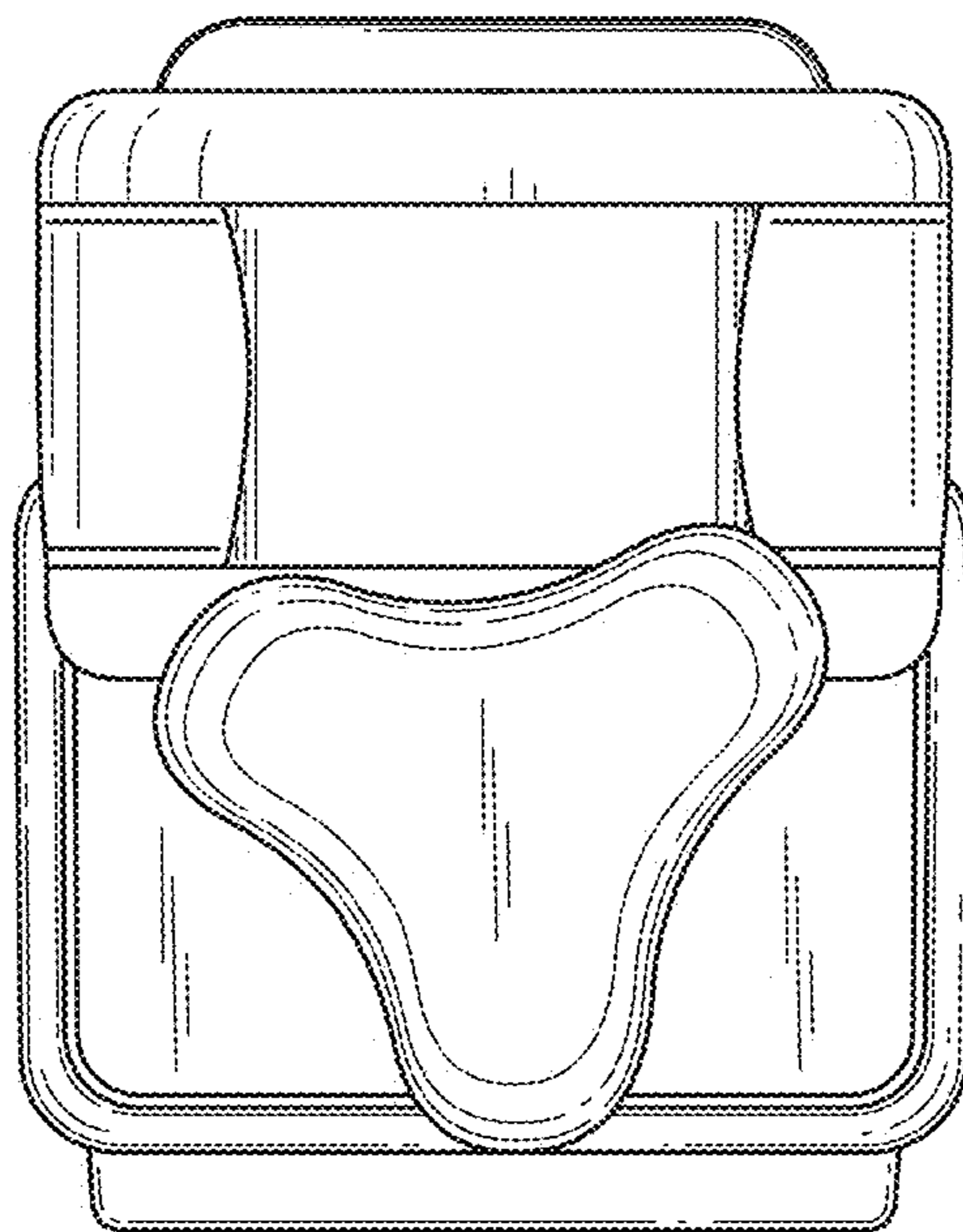


Fig. 5

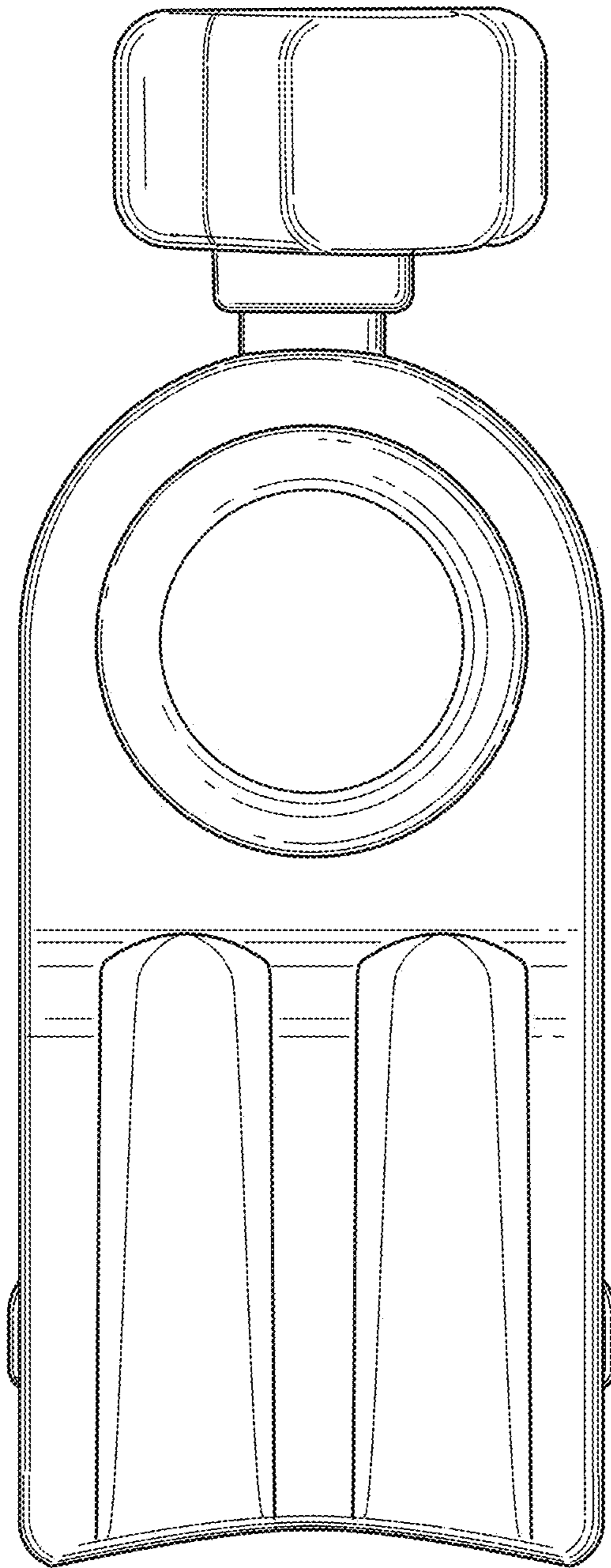


Fig. 6

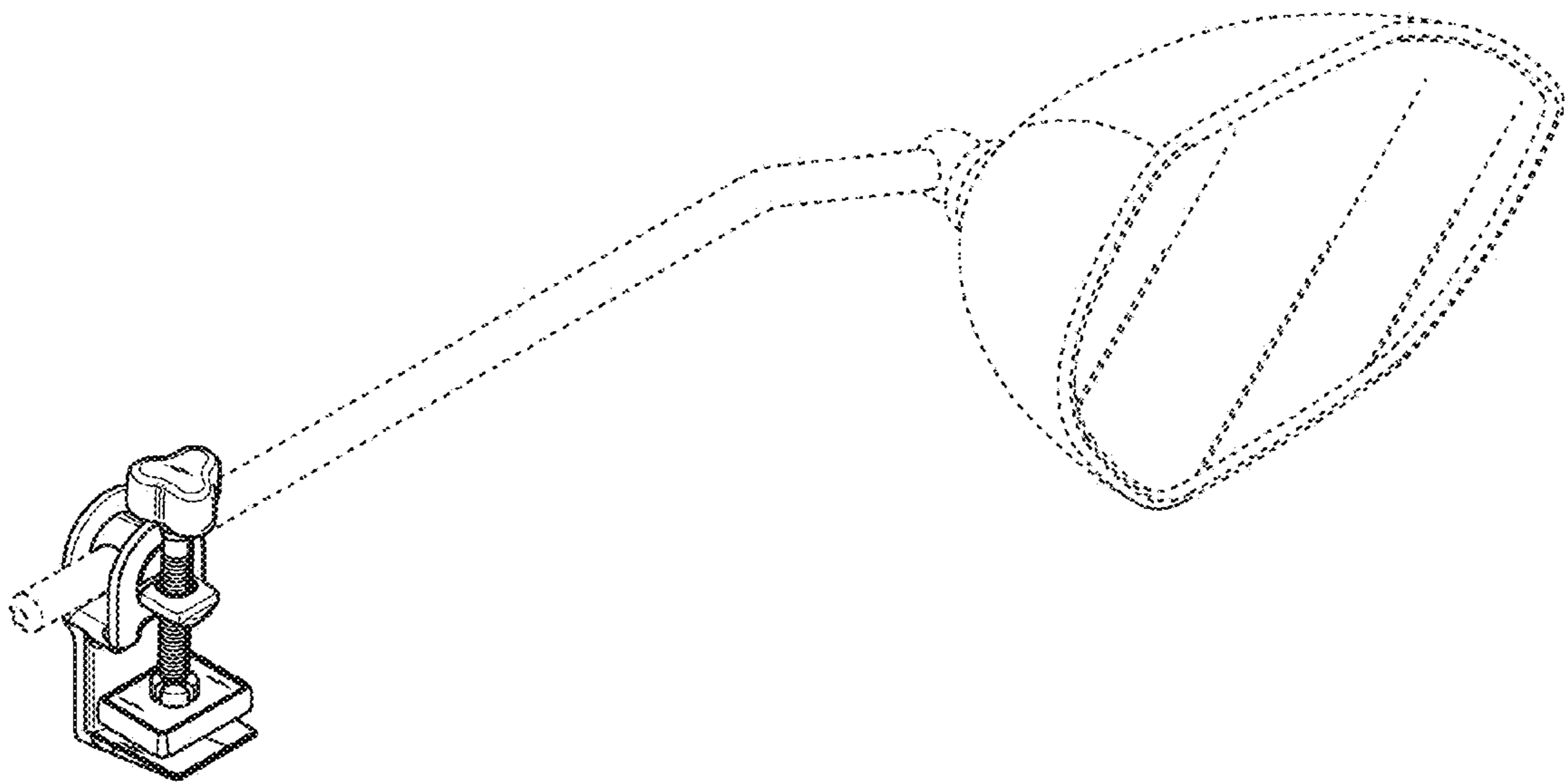


Fig. 7