



US00D766073S

(12) **United States Design Patent**
Hozumi et al.

(10) **Patent No.: US D766,073 S**

(45) **Date of Patent: ** *Sep. 13, 2016**

(54) **CASTER**

(71) Applicant: **HAMMER CASTER CO., LTD.**,
Osaka-shi, Osaka (JP)

(72) Inventors: **Mitsunobu Hozumi**, Kobe (JP); **Ryo Shimizu**, Suita (JP)

(73) Assignee: **HAMMER CASTER CO., LTD.**,
Osaka (JP)

(*) Notice: This patent is subject to a terminal disclaimer.

(**) Term: **14 Years**

(21) Appl. No.: **29/487,516**

(22) Filed: **Apr. 9, 2014**

(30) **Foreign Application Priority Data**

Oct. 17, 2013 (JP) 2013-024183

(51) **LOC (10) Cl.** **08-05**

(52) **U.S. Cl.**
USPC **D8/375**

(58) **Field of Classification Search**
USPC D8/16, 18, 19, 20, 105, 356, 363, 366,
D8/370-377, 380-382; D6/406.2;
D12/106, 48
CPC . Y10T 16/18; A61G 7/1046; A63C 17/0033
See application file for complete search history.

(56) **References Cited**

U.S. PATENT DOCUMENTS

D239,433 S * 4/1976 Sugasawara D8/375
D241,611 S * 9/1976 Crescenzi D8/375
6,839,939 B2 1/2005 Donakowski

7,150,079 B2 12/2006 Lundstedt
7,647,673 B2 * 1/2010 Melara 16/35 R
D639,149 S * 6/2011 Schioppa D8/375
8,375,515 B2 2/2013 Hozumi et al.
D701,753 S * 4/2014 Kubota D8/375
D725,459 S * 3/2015 Schulz D8/375
D727,136 S * 4/2015 Yue D8/375
D731,878 S * 6/2015 Lindsay et al. D8/375
2002/0178539 A1 * 12/2002 Donakowski 16/18 R
2009/0193621 A1 * 8/2009 Melara 16/35 R

* cited by examiner

Primary Examiner — Robert M Spear

Assistant Examiner — Eliza Bennett-Hattan

(74) *Attorney, Agent, or Firm* — Heslin Rothenberg Farley & Mesiti P.C.

(57) **CLAIM**

The ornamental design for caster, as shown and described.

DESCRIPTION

FIG. 1 is a front elevation view of the caster of the present invention, the rear elevation view being a mirror image thereof;

FIG. 2 is a top plan view thereof;

FIG. 3 is a bottom plan view thereof;

FIG. 4 is a right side elevation view thereof;

FIG. 5 is a left side elevation view thereof;

FIG. 6 is a section view thereof taken along line A-A of FIG. 2;

FIG. 7 is a section view thereof taken along line B-B of FIG. 2;

FIG. 8 is a section view taken thereof along line C-C of FIG. 2;

FIG. 9 is a perspective view thereof;

FIG. 10 is an exploded perspective view thereof; and,

FIGS. 11, 12 and 13 are partial enlarged views of FIG. 10.

1 Claim, 8 Drawing Sheets

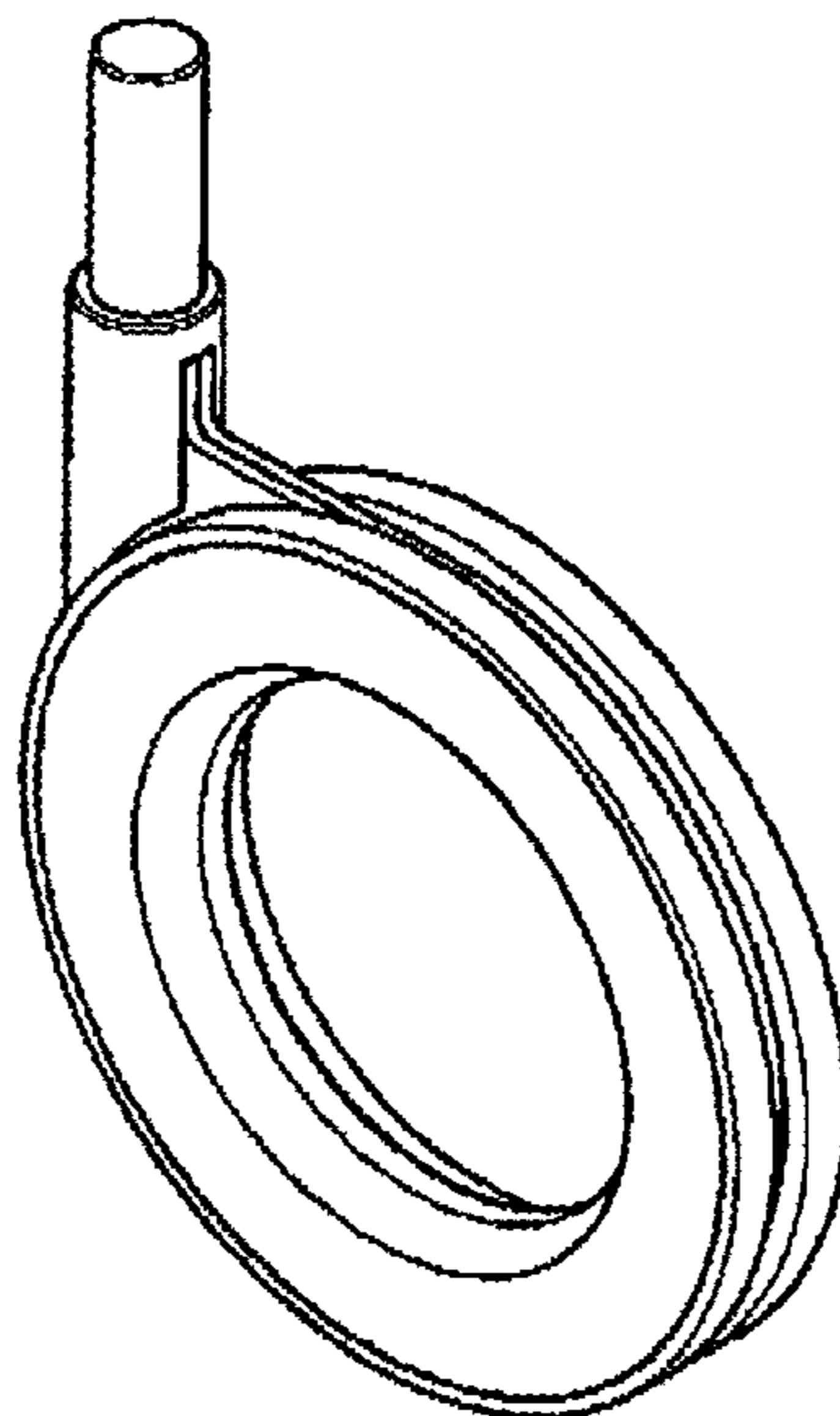


Fig.1

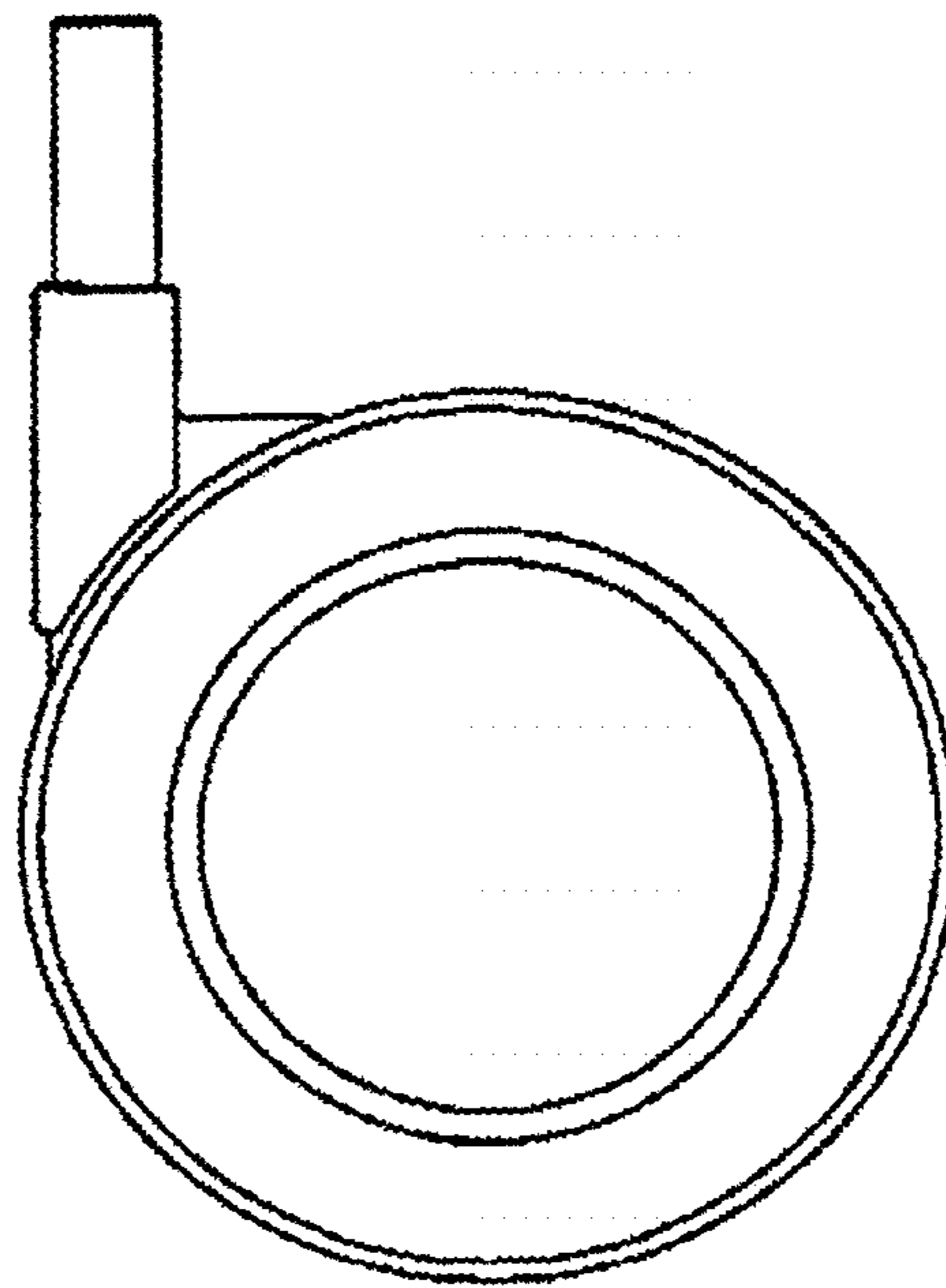


Fig.2

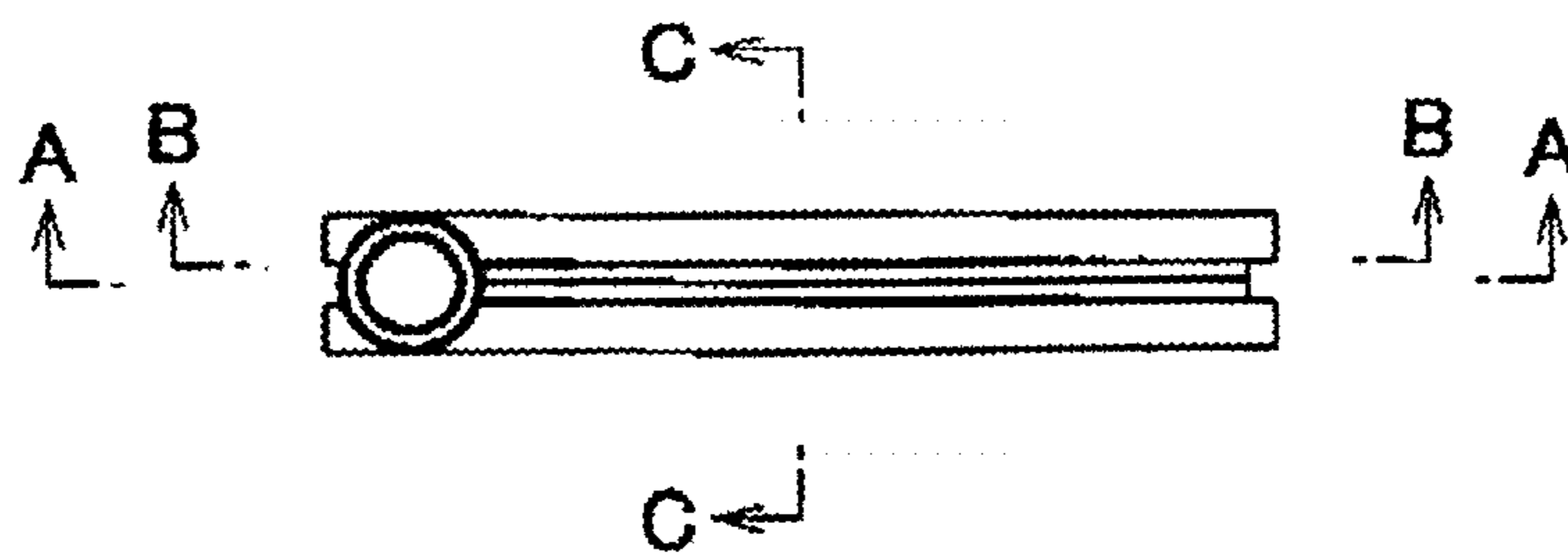


Fig.3



Fig.4



Fig.5



Fig.6

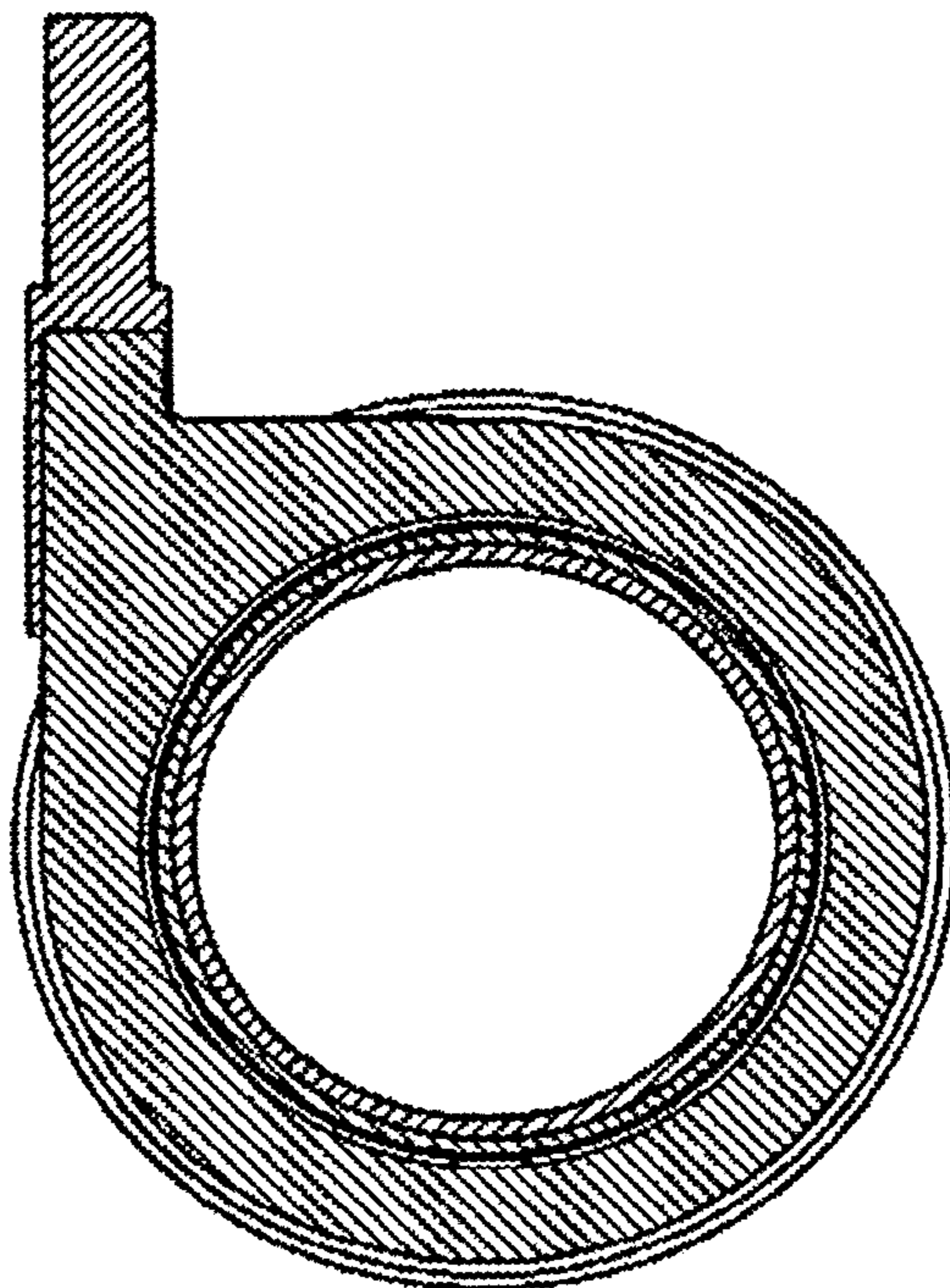


Fig.7

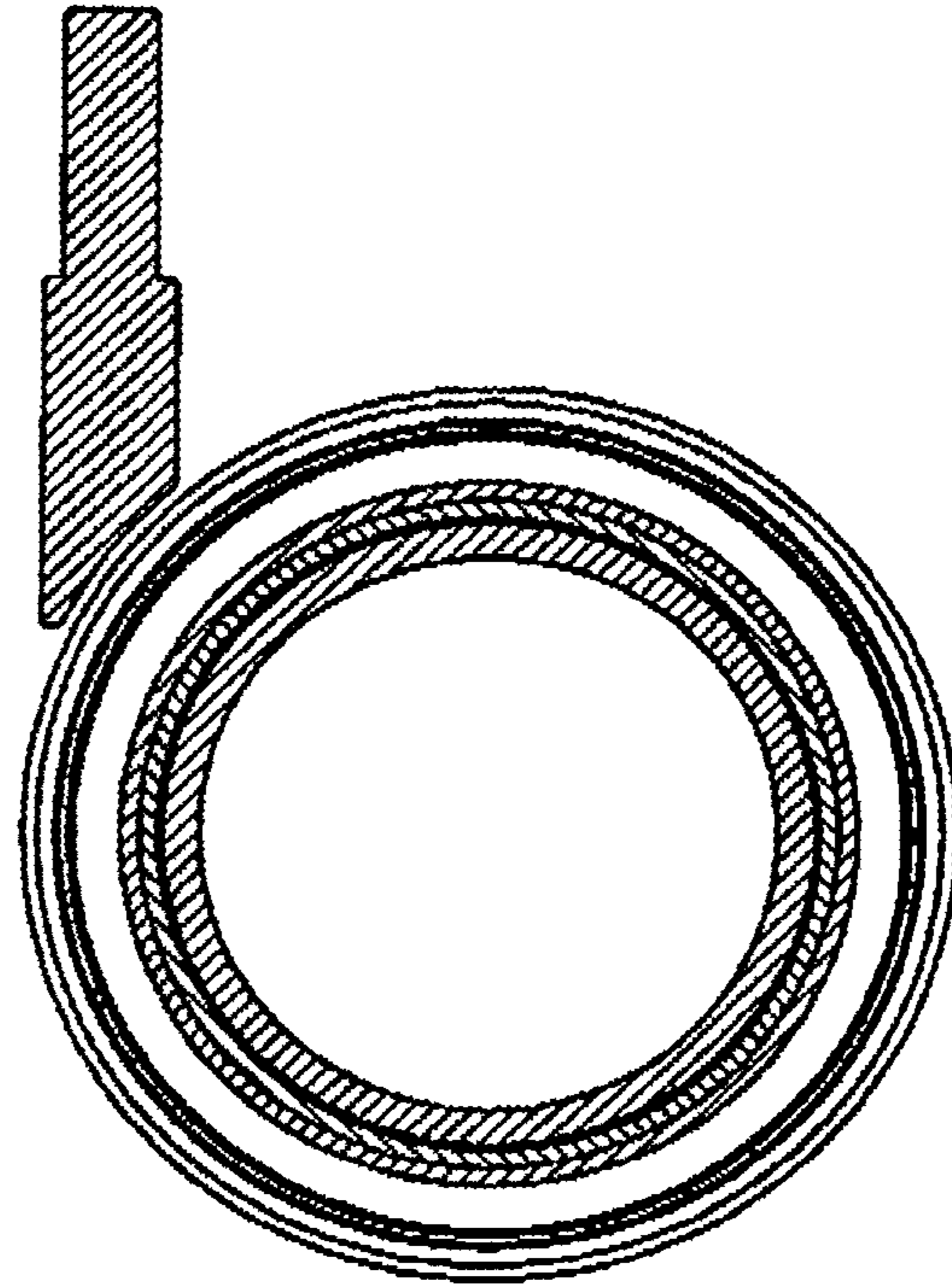


Fig.8



Fig.9

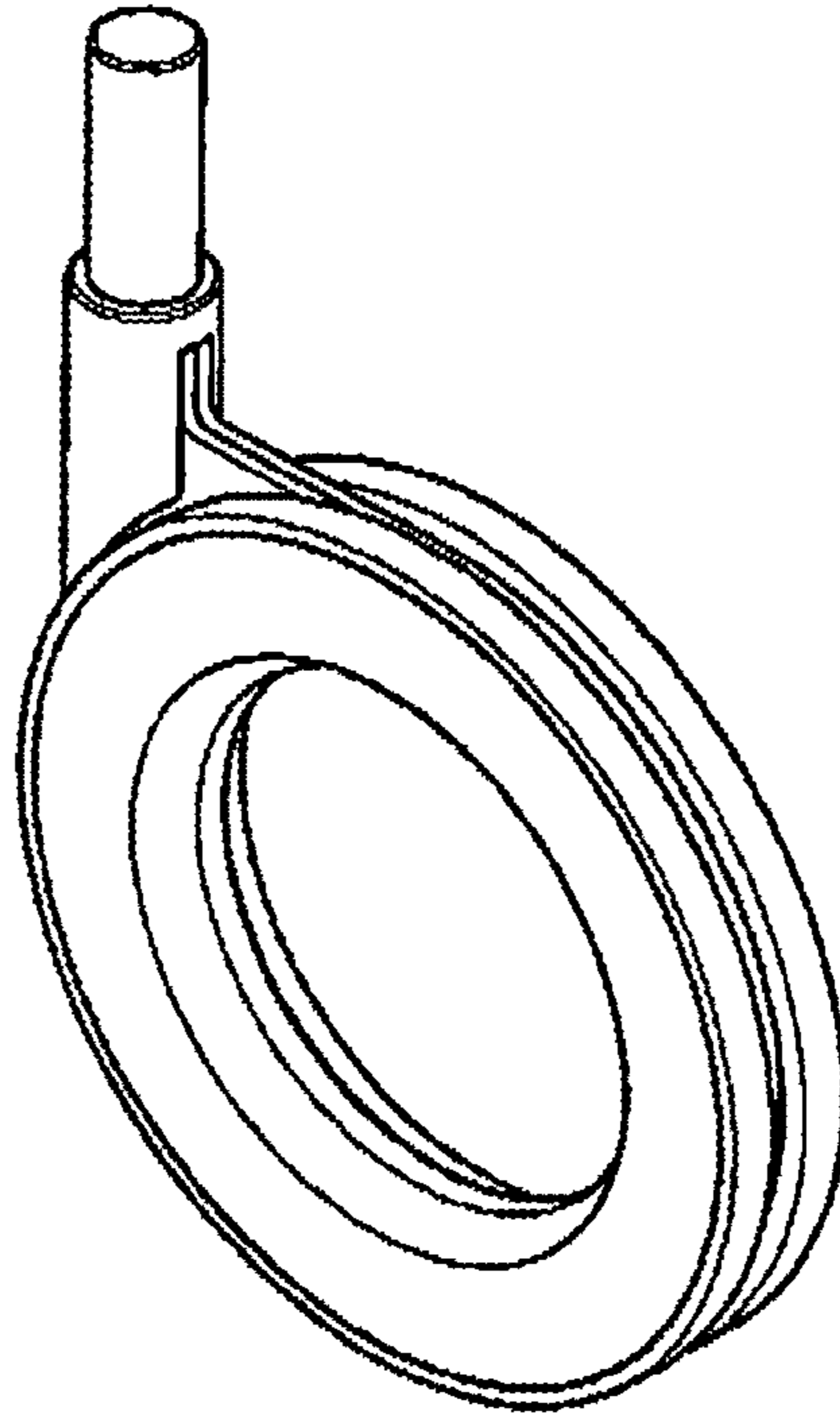


Fig.10

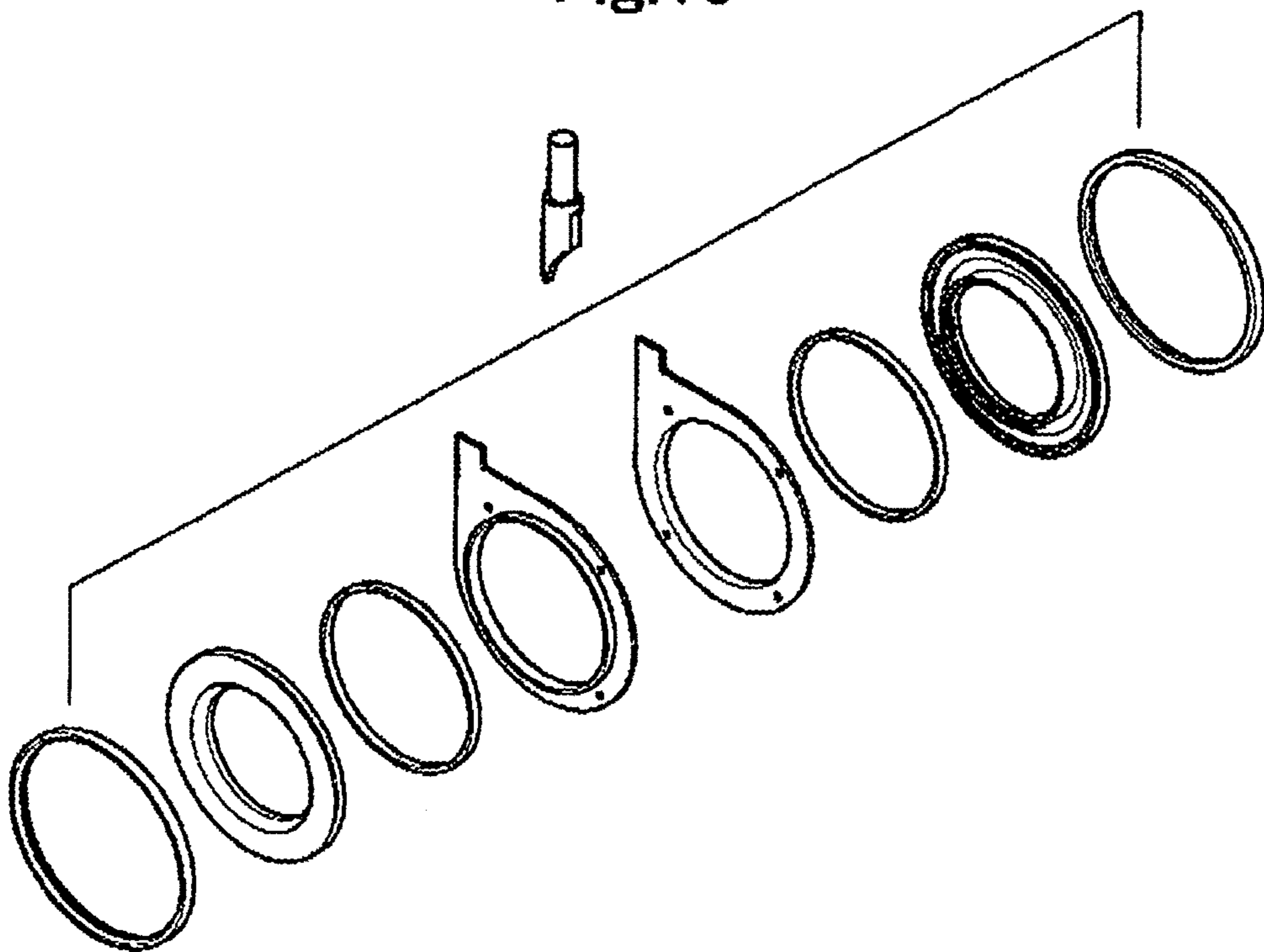


Fig.11

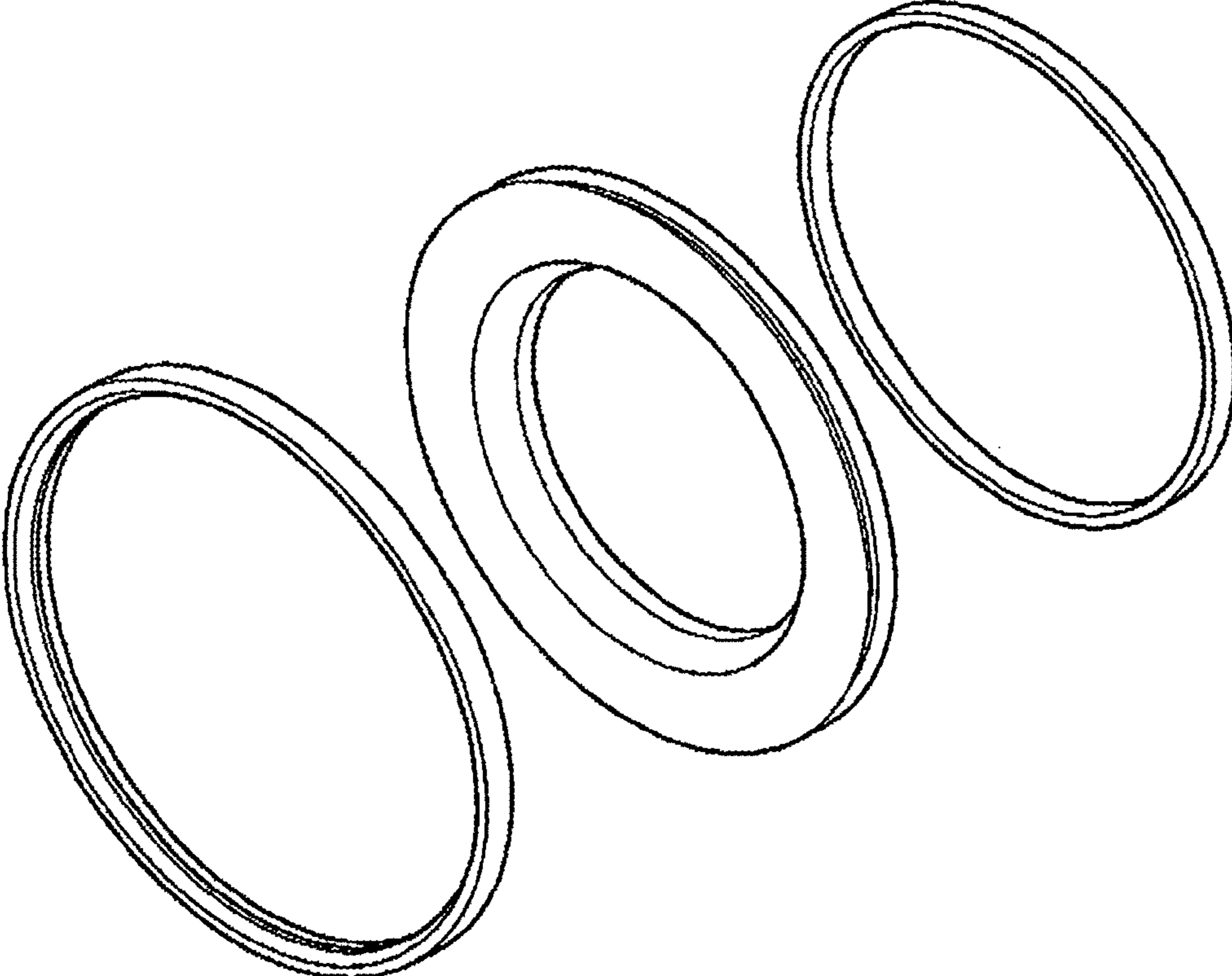


Fig.12

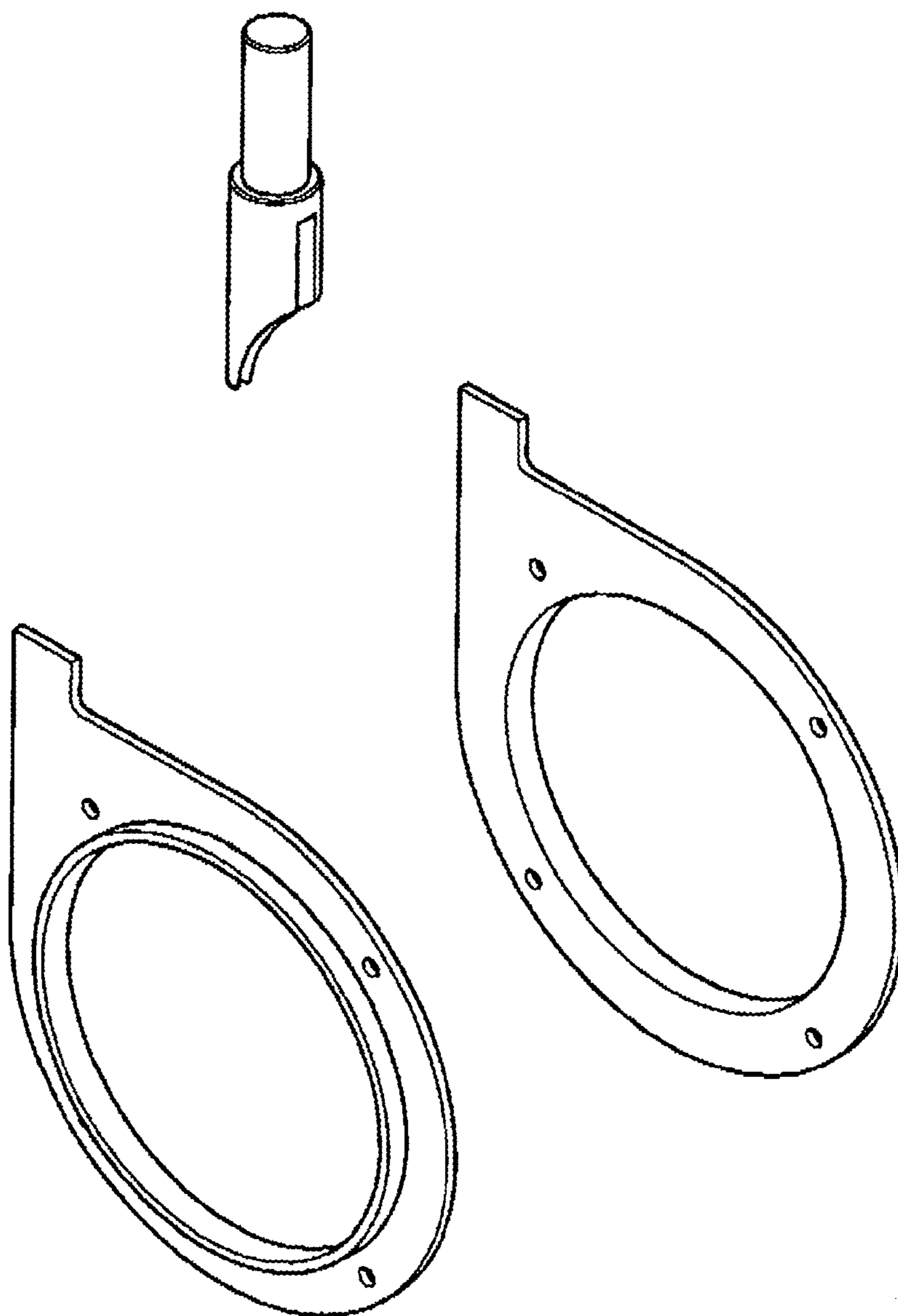


Fig.13

