

US00D766072S

(12) **United States Design Patent**
Chan

(10) **Patent No.:** **US D766,072 S**

(45) **Date of Patent:** **** Sep. 13, 2016**

(54) **CORD LOCK**

(71) Applicant: **Duraflex Hong Kong Limited**, Hong Kong (HK)

(72) Inventor: **Yick Fai Chan**, Hong Kong (HK)

(73) Assignee: **DURAFLEX HONG KONG LIMITED**, Hong Kong (HK)

(**) Term: **15 Years**

(21) Appl. No.: **29/533,154**

(22) Filed: **Jul. 15, 2015**

(30) **Foreign Application Priority Data**

Jan. 16, 2015 (CN) 2015 3 0013810

(51) **LOC (10) Cl.** **08-05**

(52) **U.S. Cl.**
USPC **D8/356**

(58) **Field of Classification Search**
USPC D32/361; D9/434; D24/143; 24/129 R,
24/18, 130; 606/203; D8/354, 356;
D12/217; 248/75; 242/615
CPC B60T 3/00; H02G 3/045
See application file for complete search history.

(56) **References Cited**

U.S. PATENT DOCUMENTS

D408,269 S *	4/1999	Ross	D8/356
D470,034 S *	2/2003	Wu	D8/356
D477,770 S *	7/2003	Baker	D8/373
D488,704 S *	4/2004	Mercier	D8/354
D497,305 S *	10/2004	Perri	D8/356
D512,904 S *	12/2005	Thaler	D8/356
D576,406 S *	9/2008	Chan	D3/318

D606,323 S *	12/2009	Heroux	D6/323
D625,986 S *	10/2010	Kolasa	D8/356
D629,671 S *	12/2010	Ohuri	D8/356
D646,557 S *	10/2011	Chan	D8/367
D661,570 S *	6/2012	Fox	D8/356
D672,223 S *	12/2012	Thompson	D8/356
D691,878 S *	10/2013	Ganski	D8/356
D697,784 S *	1/2014	Lavelle	D8/356
D709,355 S *	7/2014	Berger	D8/356
D717,157 S *	11/2014	Widdows	D8/356
D733,534 S *	7/2015	Altrichter	D8/356
D739,712 S *	9/2015	Wadey	D8/356
D755,039 S *	5/2016	Jansson	D8/356
2010/0132979 A1 *	6/2010	Chen	H02G 3/32 174/135

* cited by examiner

Primary Examiner — Cynthia Underwood

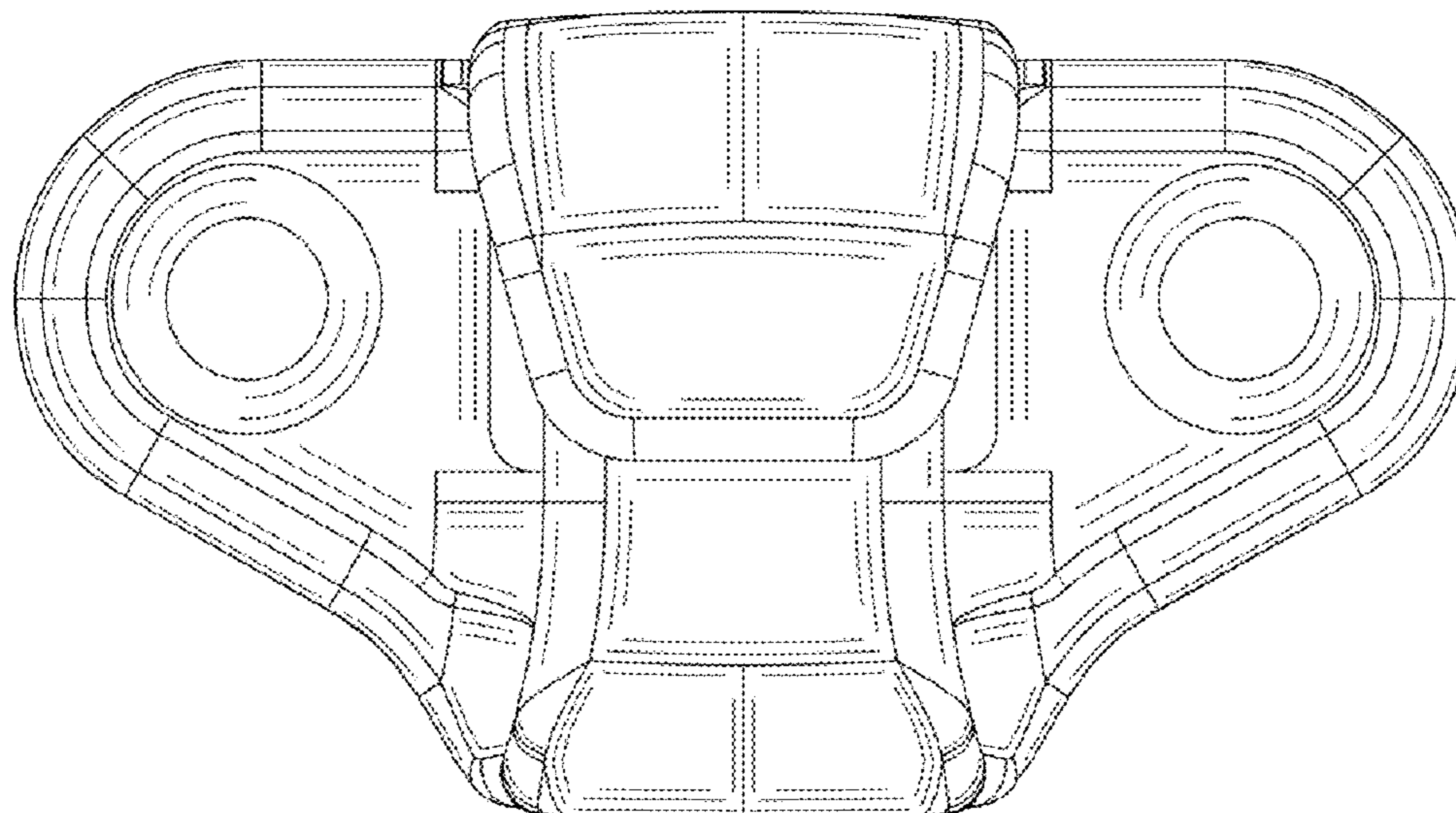
(57) **CLAIM**

The ornamental design for a cord lock, as shown and described.

DESCRIPTION

FIG. 1 is a front elevational view of a cord lock showing my new design;
FIG. 2 is a rear elevational view thereof;
FIG. 3 is a right side view thereof;
FIG. 4 is a left side view thereof;
FIG. 5 is a bottom plan view thereof;
FIG. 6 is a top plan view thereof;
FIG. 7 is a first perspective view thereof;
FIG. 8 is a second perspective view thereof;
FIG. 9 is a third perspective view thereof;
FIG. 10 is a fourth perspective view thereof;
FIG. 11 is a fifth perspective view thereof; and,
FIG. 12 is a sixth perspective view thereof.

1 Claim, 12 Drawing Sheets



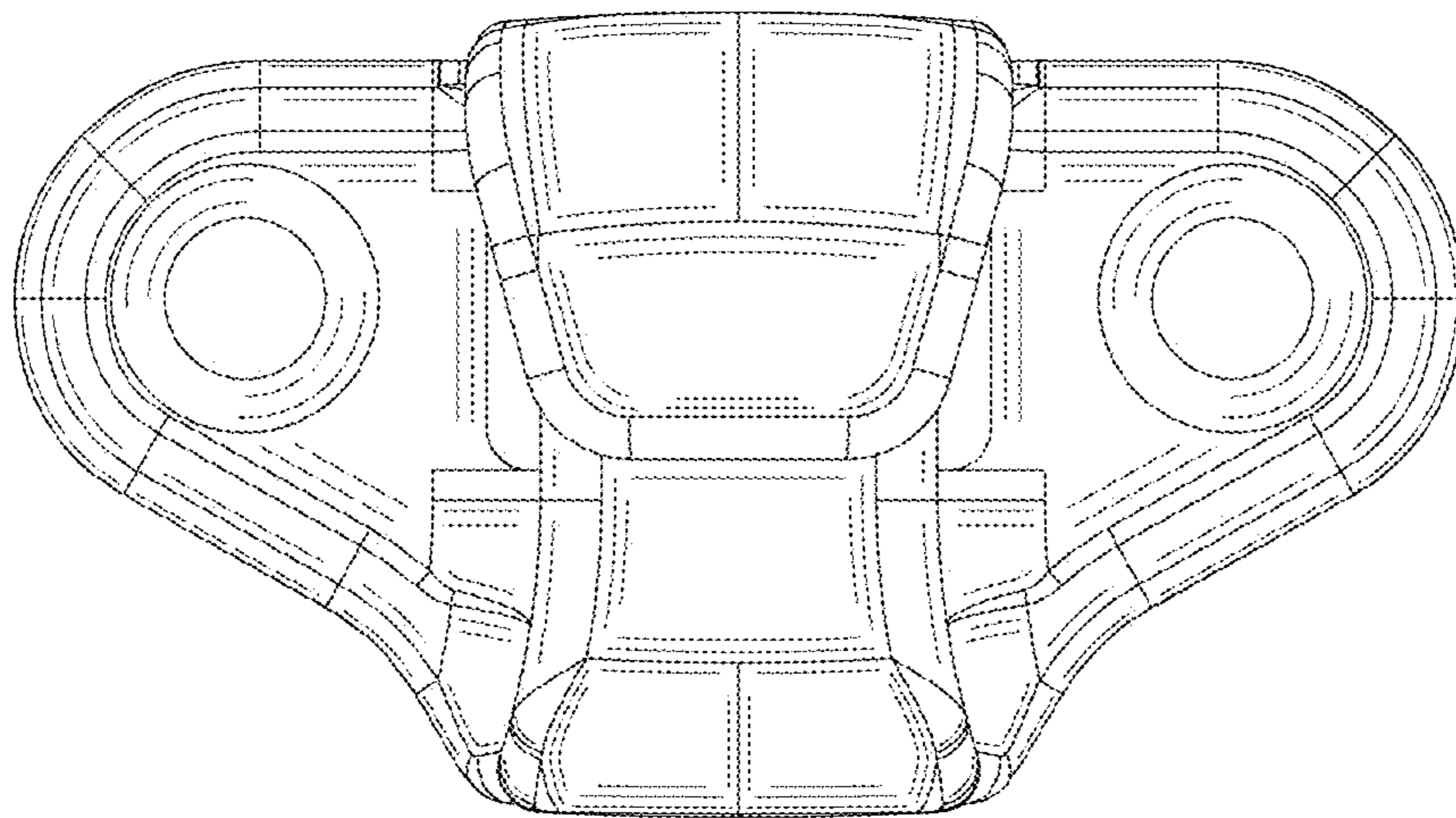


Fig. 1

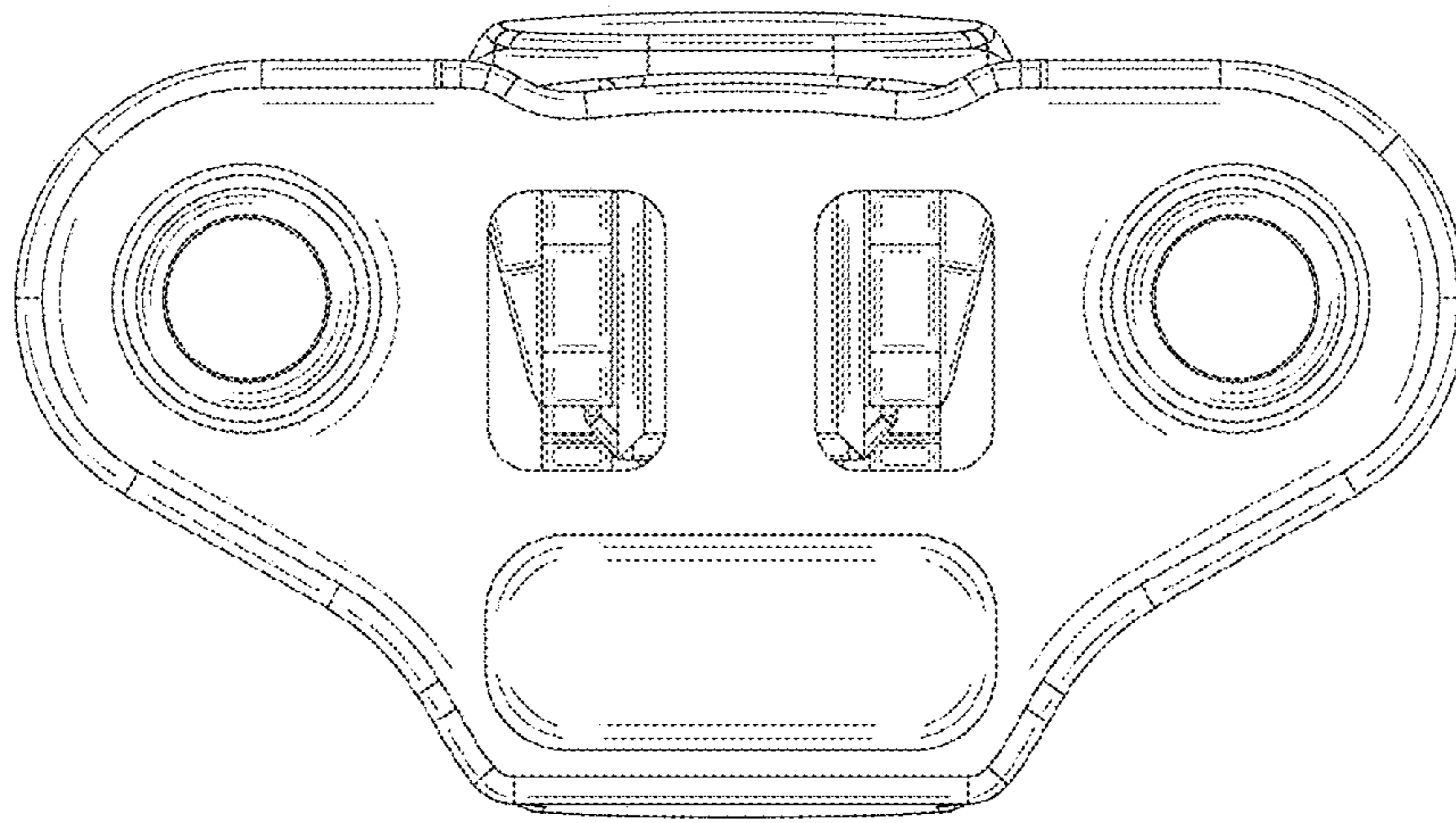


Fig. 2

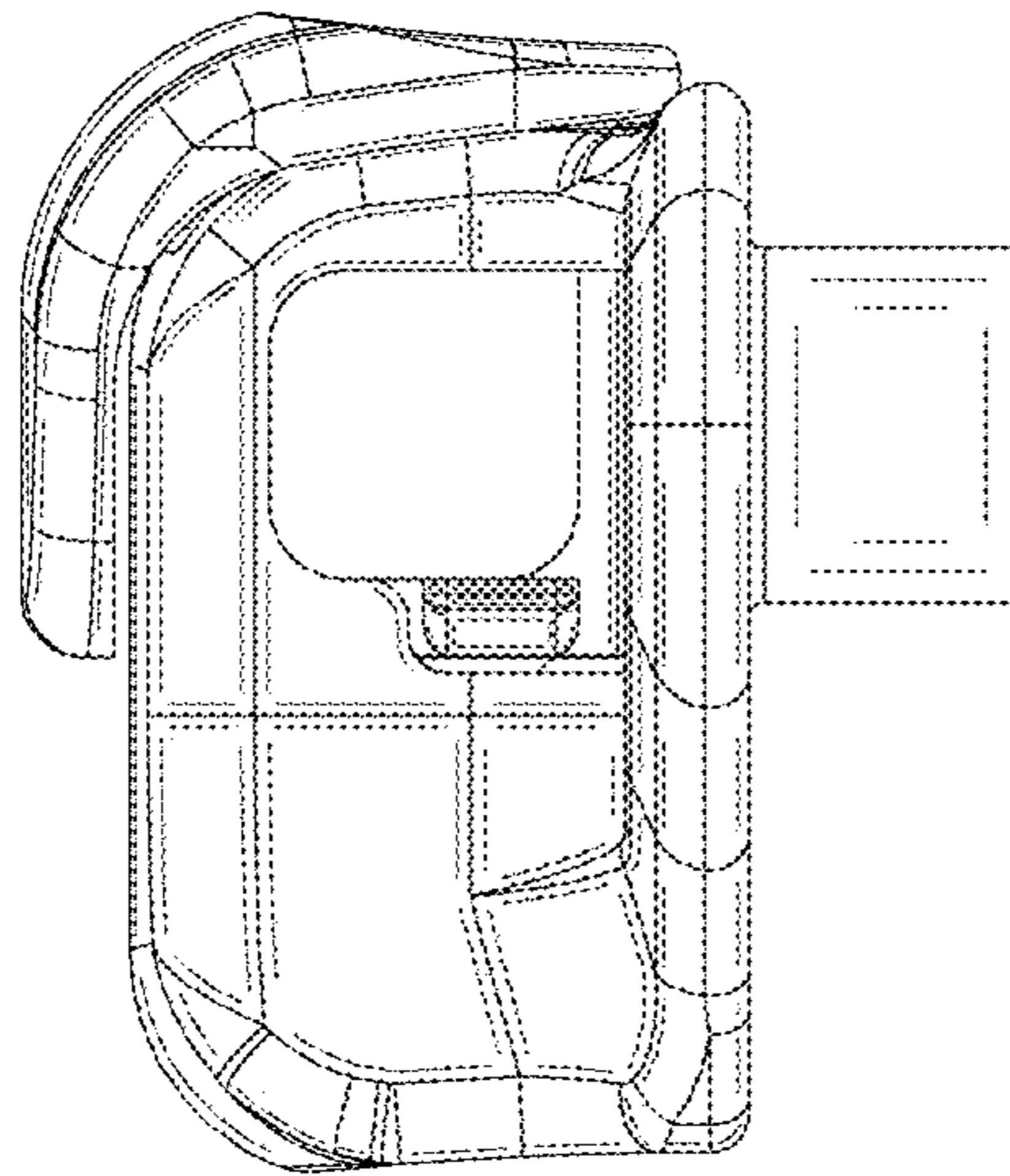


Fig. 3

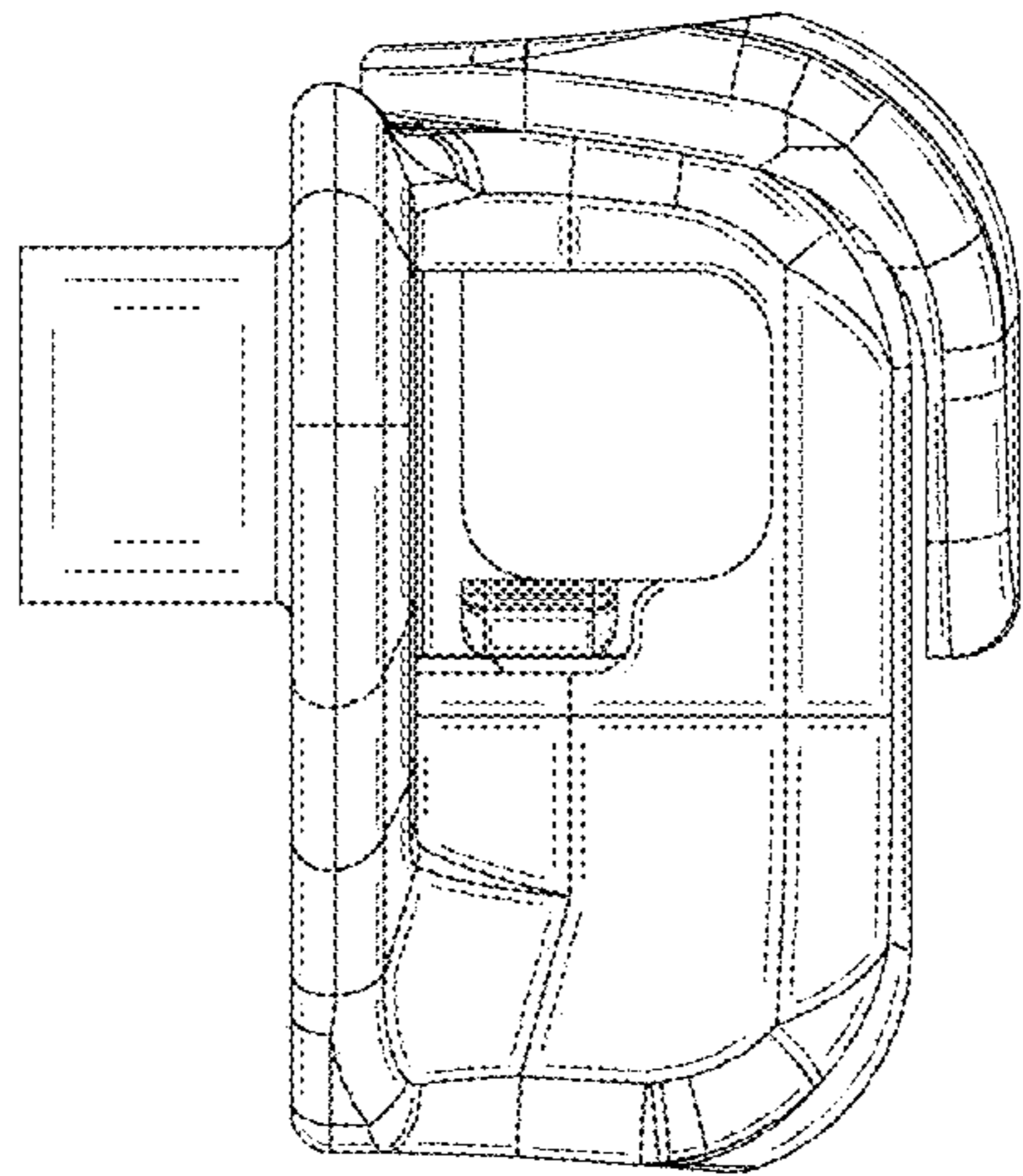


Fig. 4

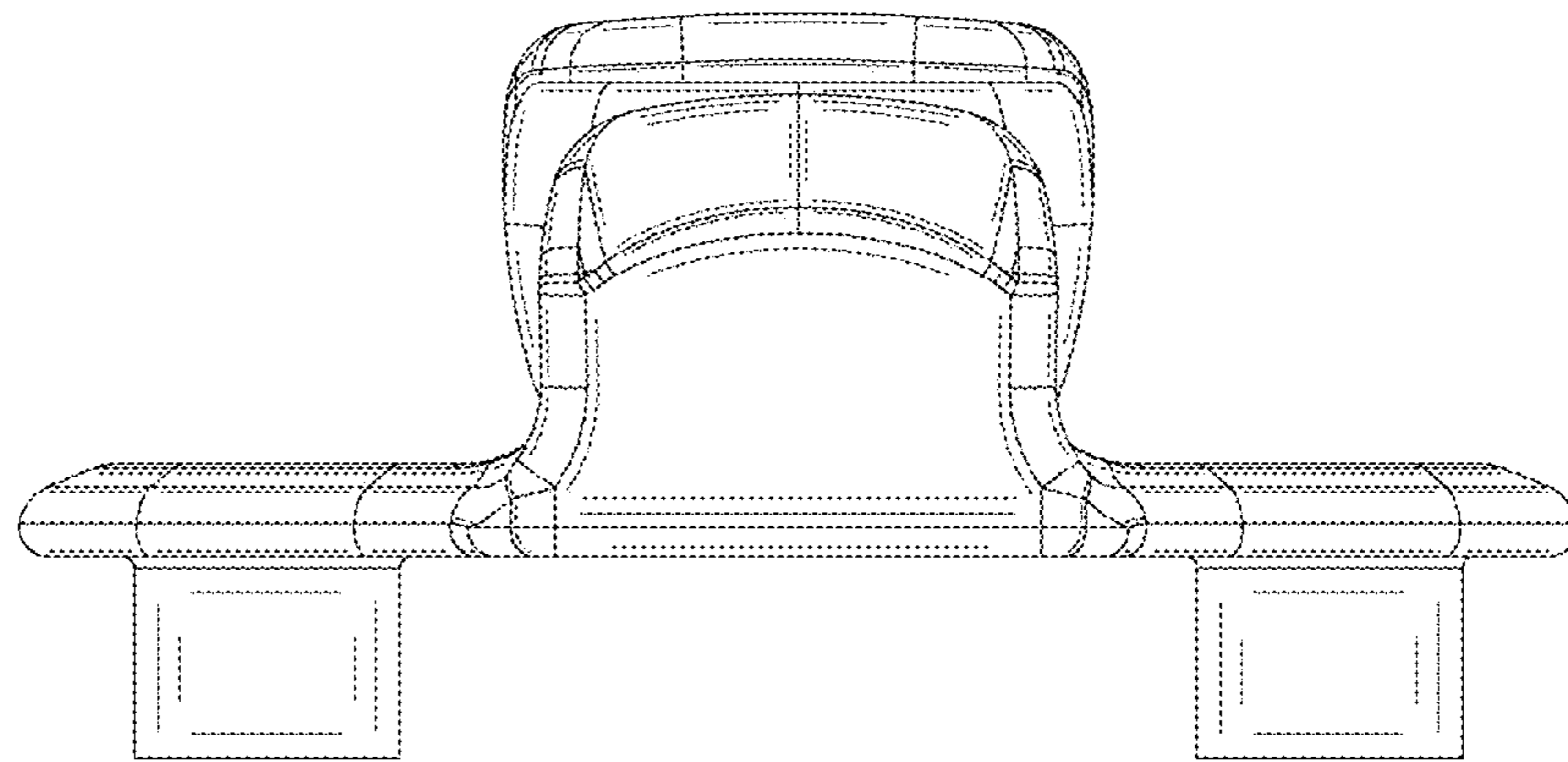


Fig. 5

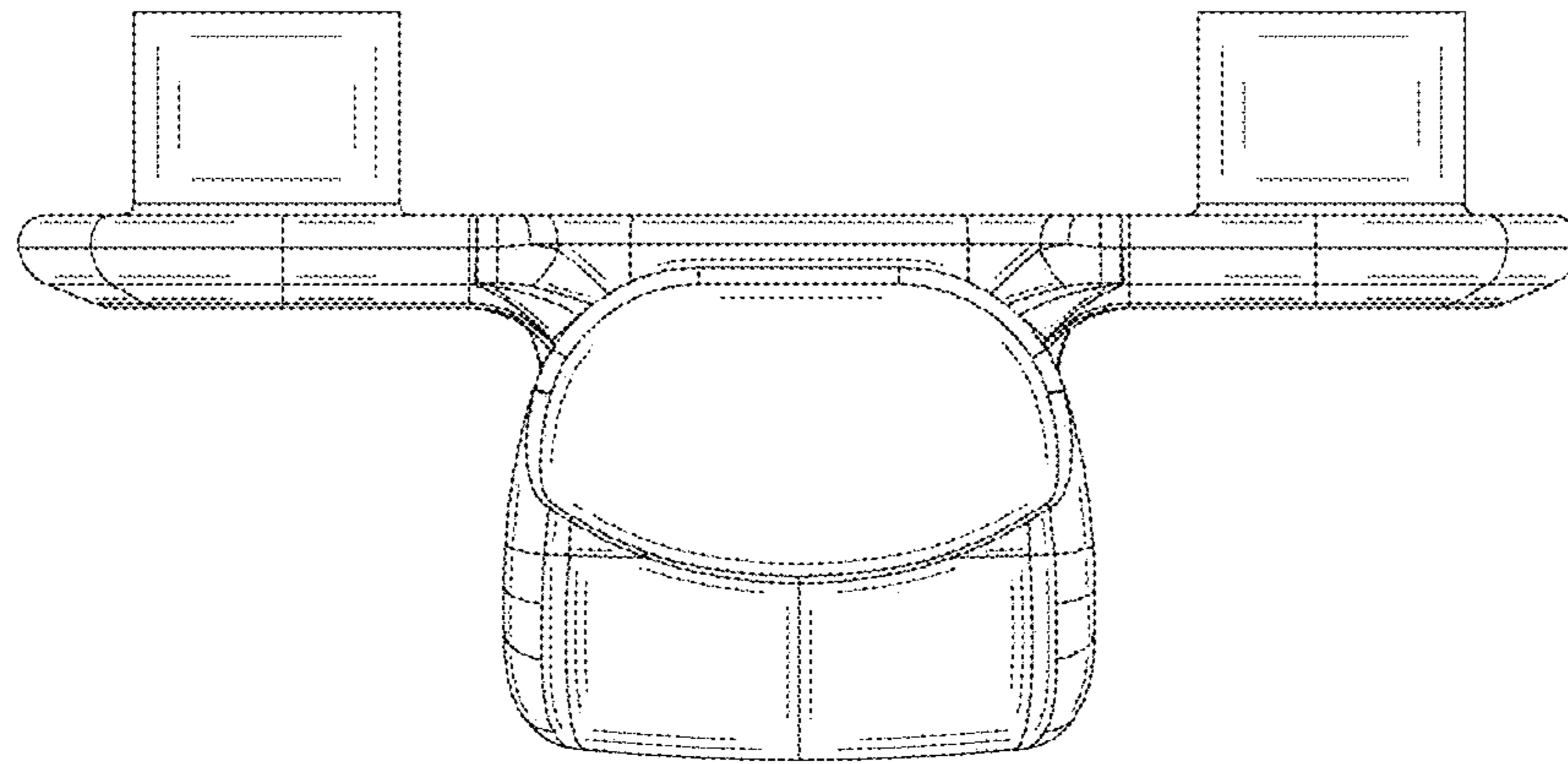


Fig. 6

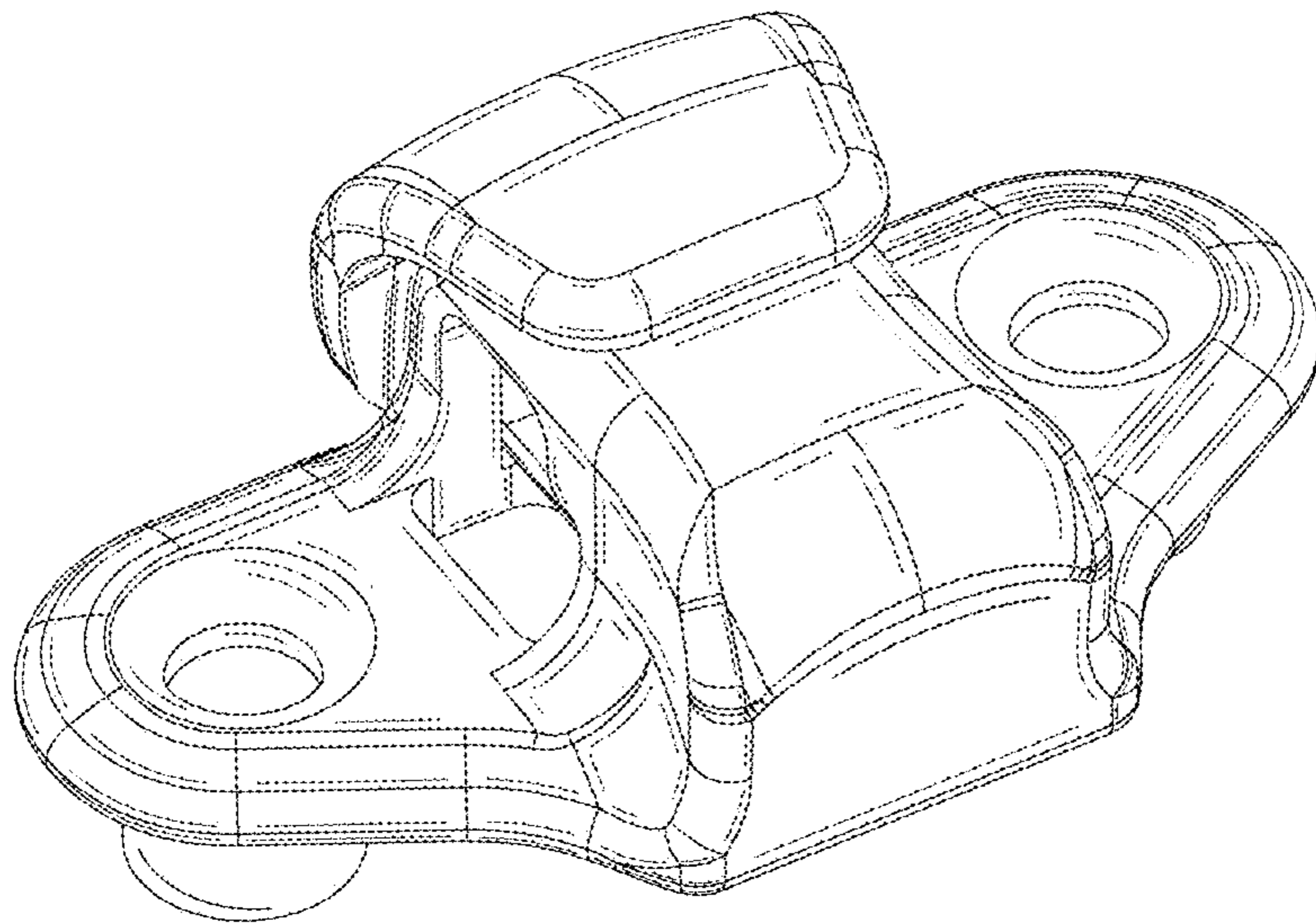


Fig. 7

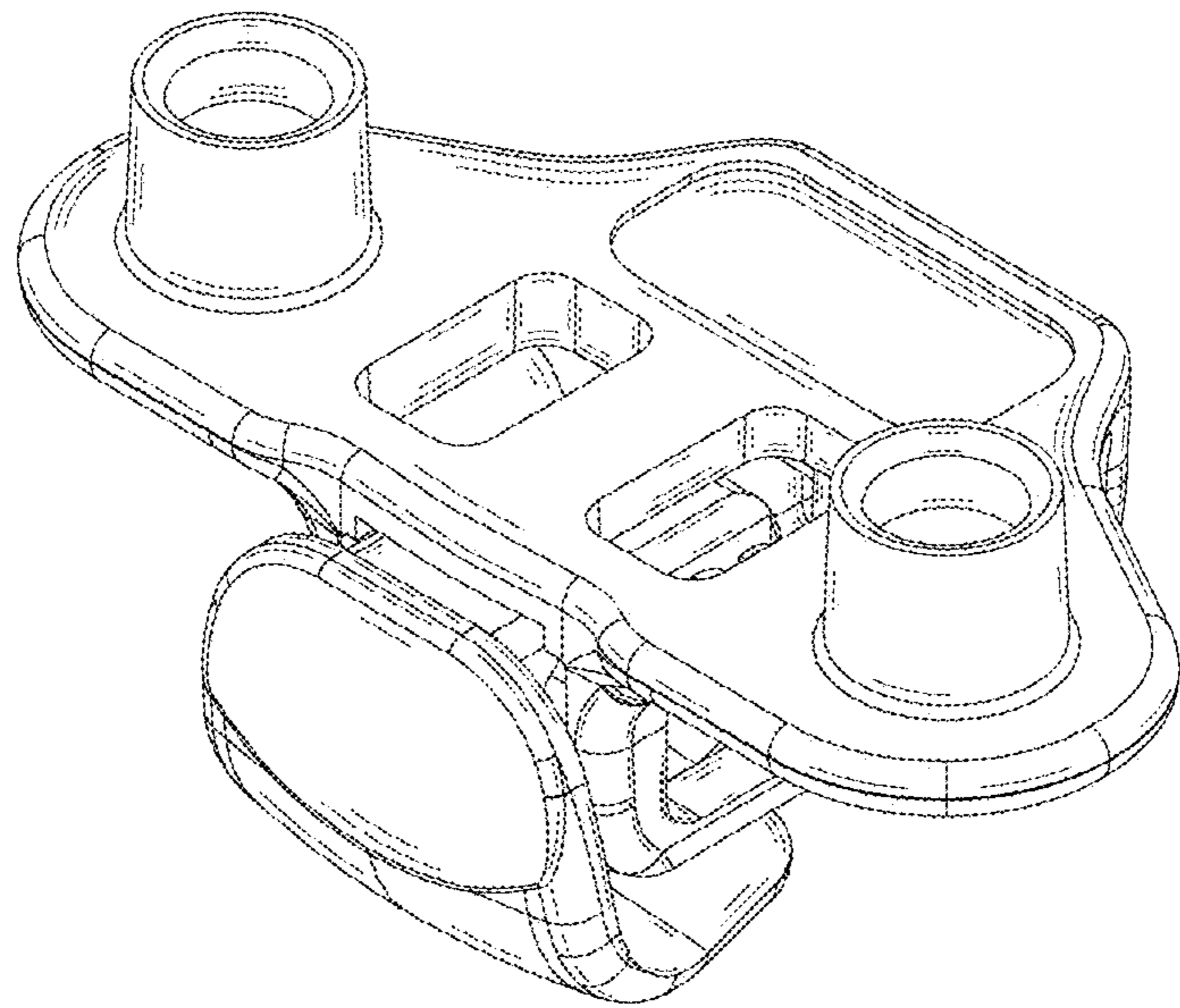


Fig. 8

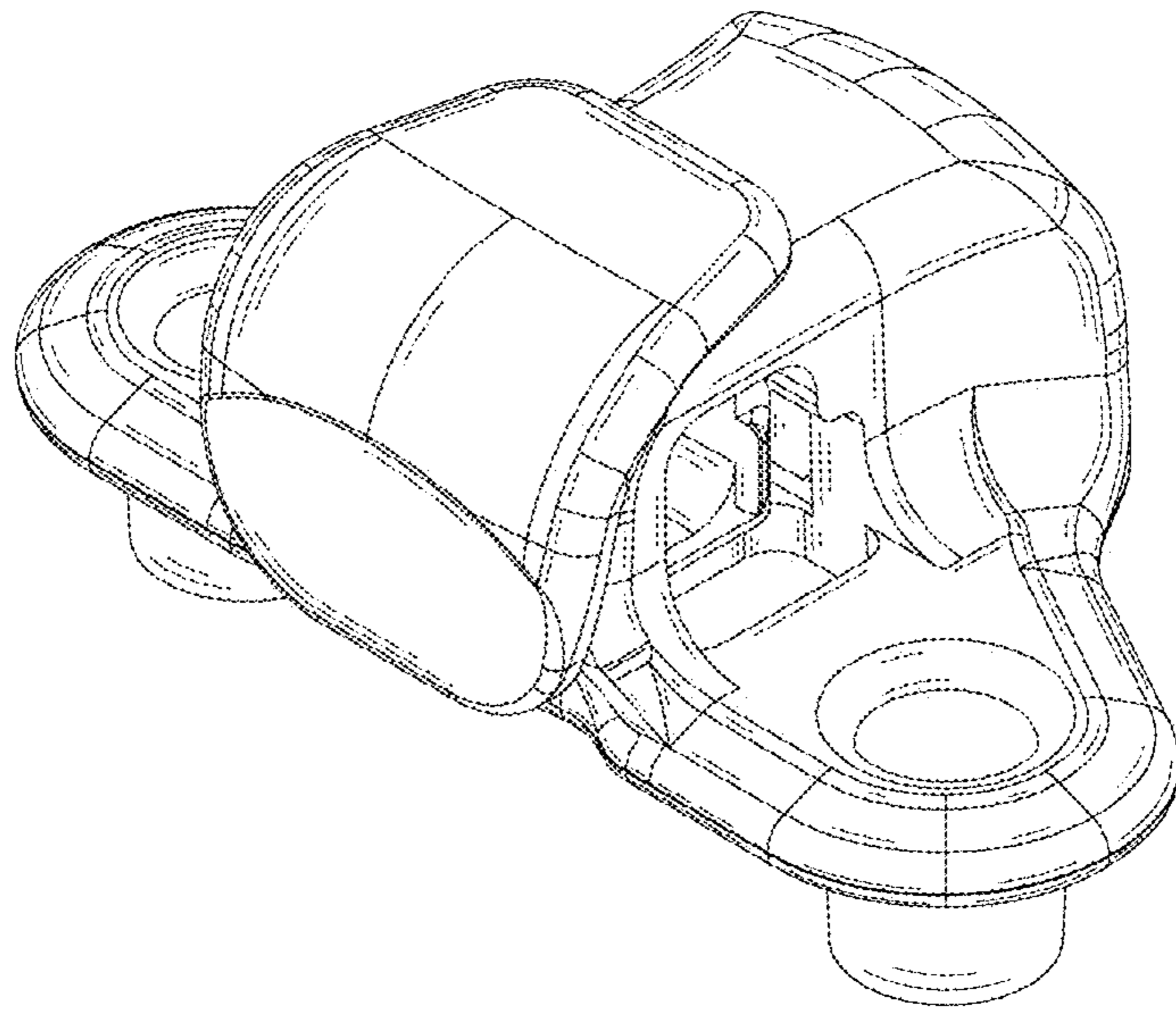


Fig. 9

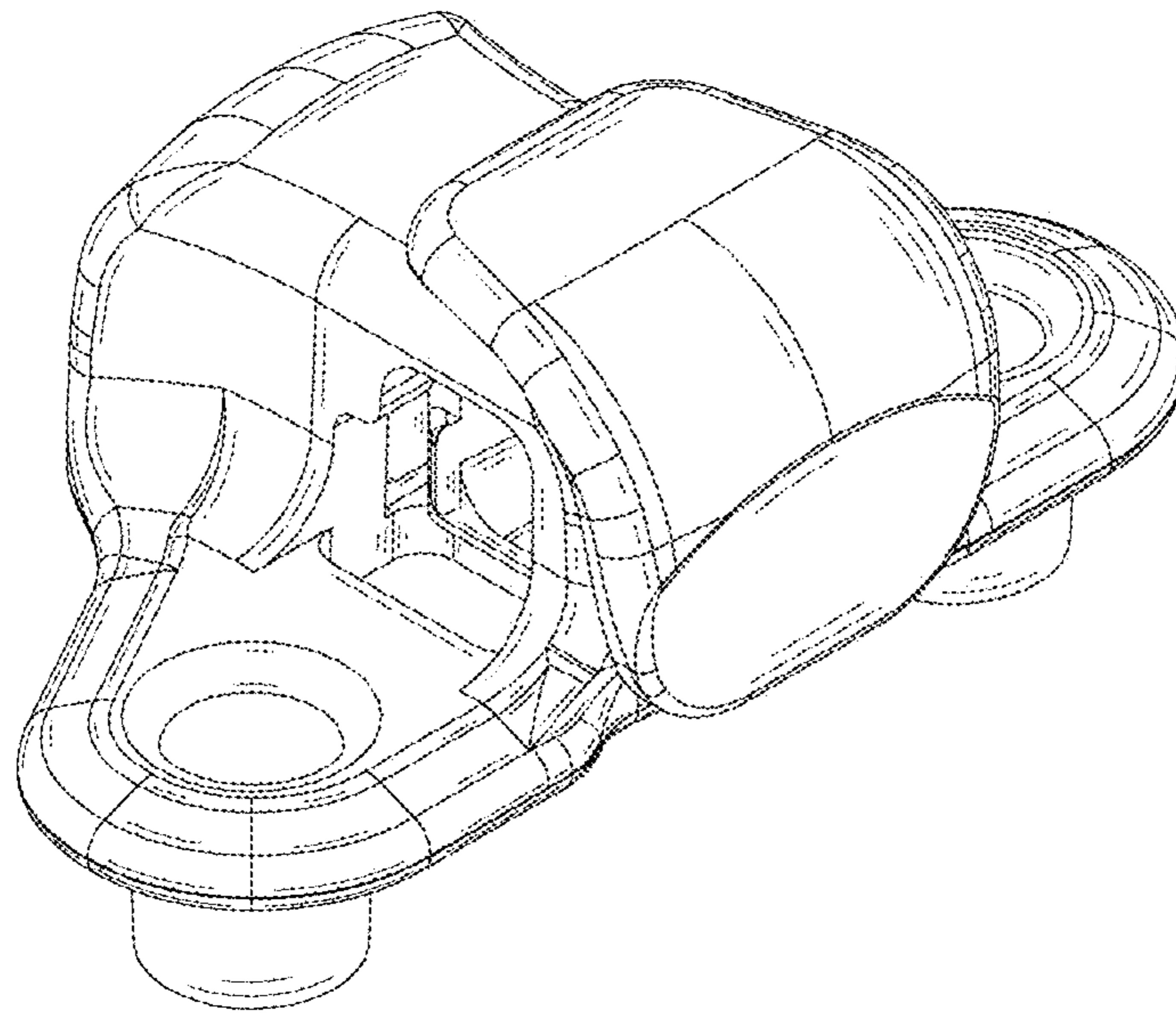


Fig. 10

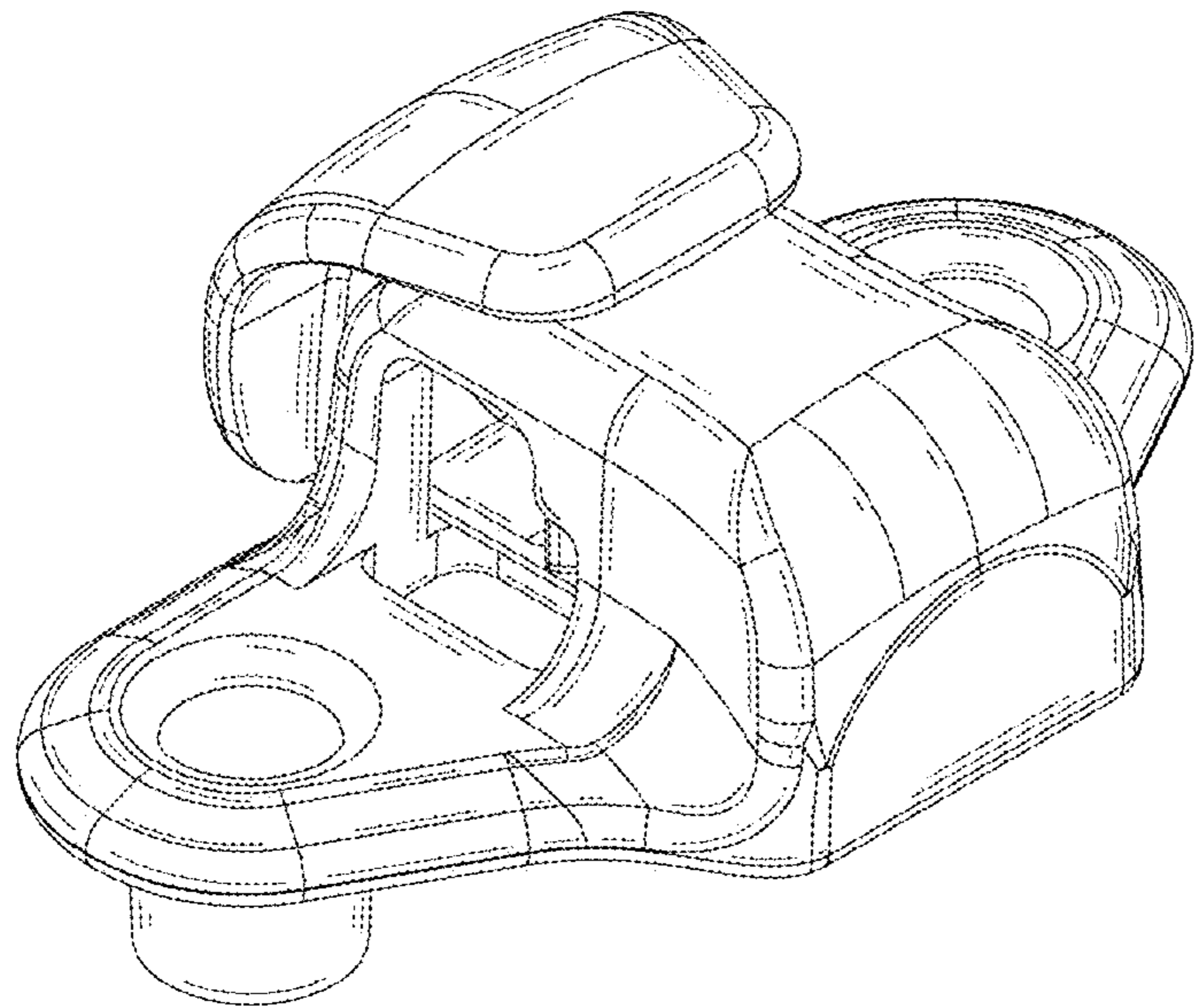


Fig. 11

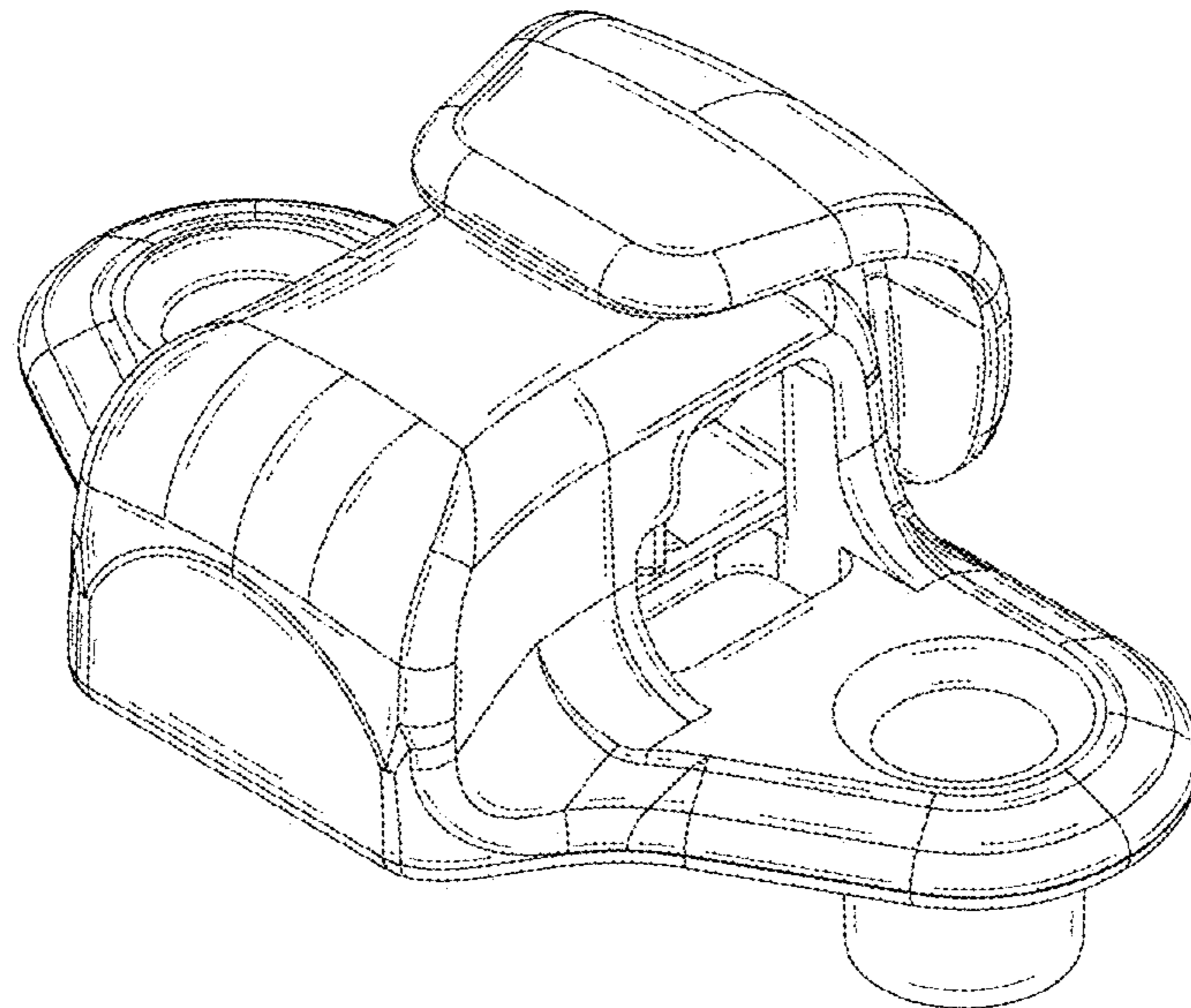


Fig. 12