



US00D766070S

(12) **United States Design Patent**
Ruoff

(10) **Patent No.:** **US D766,070 S**

(45) **Date of Patent:** **** Sep. 13, 2016**

(54) **DOOR TERMINAL**

(71) Applicant: **Sphinx Electronics GmbH & Co KG**,
Kenzingen (DE)

(72) Inventor: **Eckhard Ruoff**, Nagold (DE)

(73) Assignee: **Sphinx Electronics GmbH & Co KG**,
Kenzingen (DE)

(**) Term: **15 Years**

(21) Appl. No.: **29/530,345**

(22) Filed: **Jun. 16, 2015**

(30) **Foreign Application Priority Data**

Dec. 17, 2014 (EM) 002599548-0006

(51) **LOC (10) Cl.** **11-05**

(52) **U.S. Cl.**
USPC **D8/353; D8/343**

(58) **Field of Classification Search**
USPC D8/330, 331, 334, 300, 301, 302, 350;
70/14, 20-22, 57, 57.1, 284-286, 314,
70/DIG. 44

CPC E05B 1/00; E05B 9/00; E05B 9/002;
E05B 45/00

See application file for complete search history.

(56) **References Cited**

U.S. PATENT DOCUMENTS

3,848,959 A * 11/1974 Parlato G08B 13/08
439/731
D280,799 S * 10/1985 Ohno D8/302
5,520,275 A * 5/1996 Foglino G07C 9/00039
194/217

D393,994 S * 5/1998 Hankel D8/301
D461,111 S * 8/2002 Gartner D8/301
6,439,009 B1 * 8/2002 Heese E05B 65/108
340/5.2
6,516,569 B2 * 2/2003 Schweitzer E05B 9/00
292/DIG. 65
D496,578 S * 9/2004 Gotou D8/302
7,090,141 B2 * 8/2006 Roh F25D 29/00
236/51
7,990,280 B2 * 8/2011 Gray G08B 7/062
340/540
D683,205 S * 5/2013 Cramer D8/331
8,725,221 B2 * 5/2014 Lee G03B 29/00
455/575.1

* cited by examiner

Primary Examiner — Prabhakar Deshmukh

(74) *Attorney, Agent, or Firm* — Hackler Daghighian & Martino

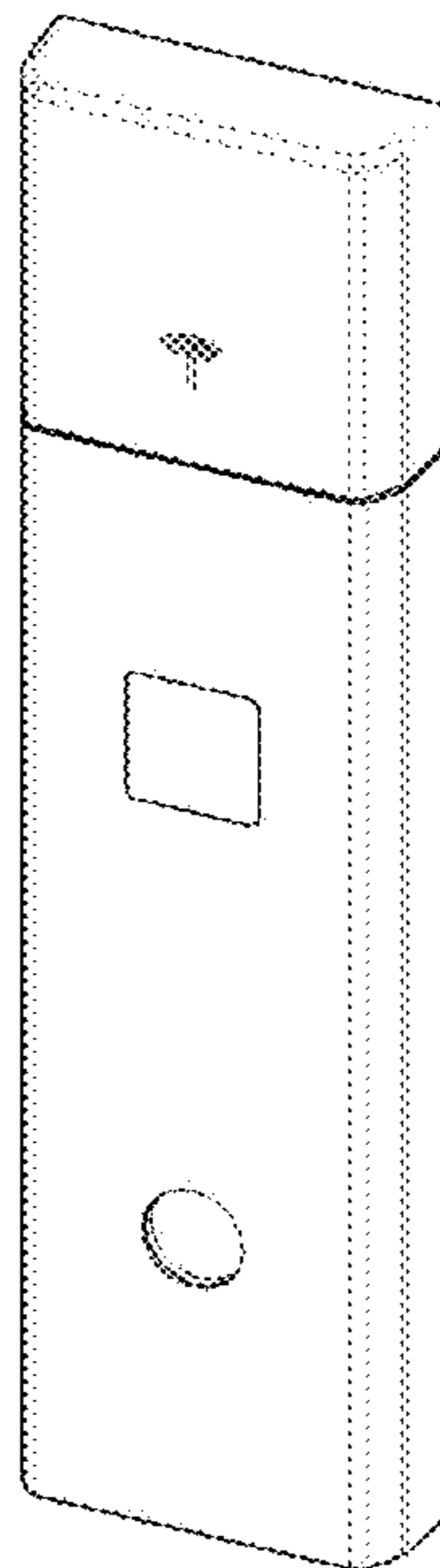
(57) **CLAIM**

The ornamental design for a door terminal, as shown and described.

DESCRIPTION

FIG. 1 is a front elevation view of a door terminal embodying my new design;
FIG. 2 is a rear elevation view of FIG. 1;
FIG. 3 is a left side view of FIG. 1;
FIG. 4 is a right side view of FIG. 1;
FIG. 5 is a top plan view of FIG. 1;
FIG. 6 is a bottom plan view of FIG. 1; and,
FIG. 7 is a front perspective view of the FIG. 1.
The broken lines depict environmental subject matter, are for illustration only and form no part of the claimed design.

1 Claim, 4 Drawing Sheets



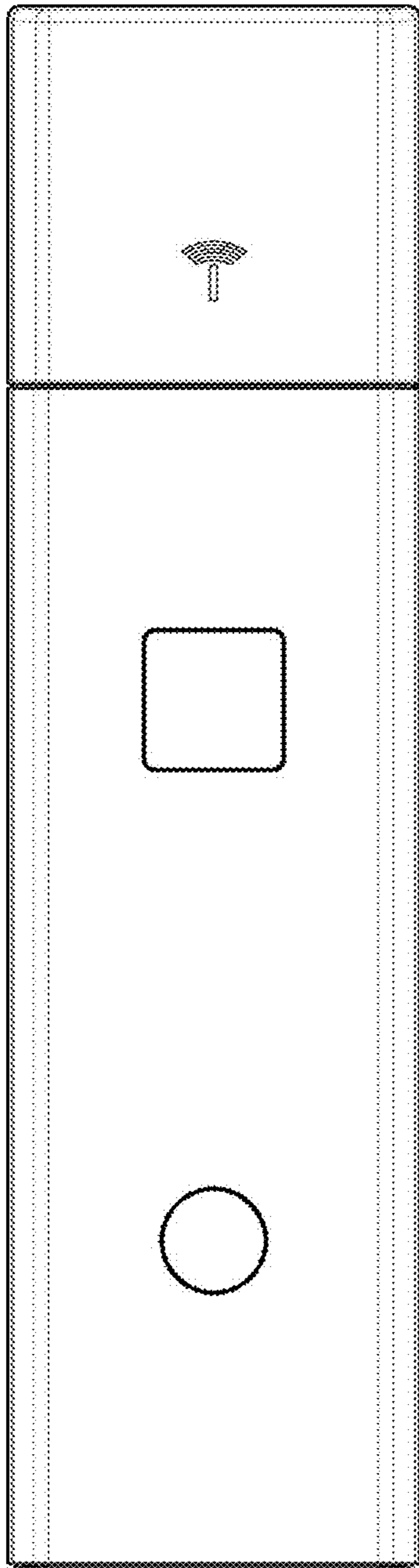


FIG. 1

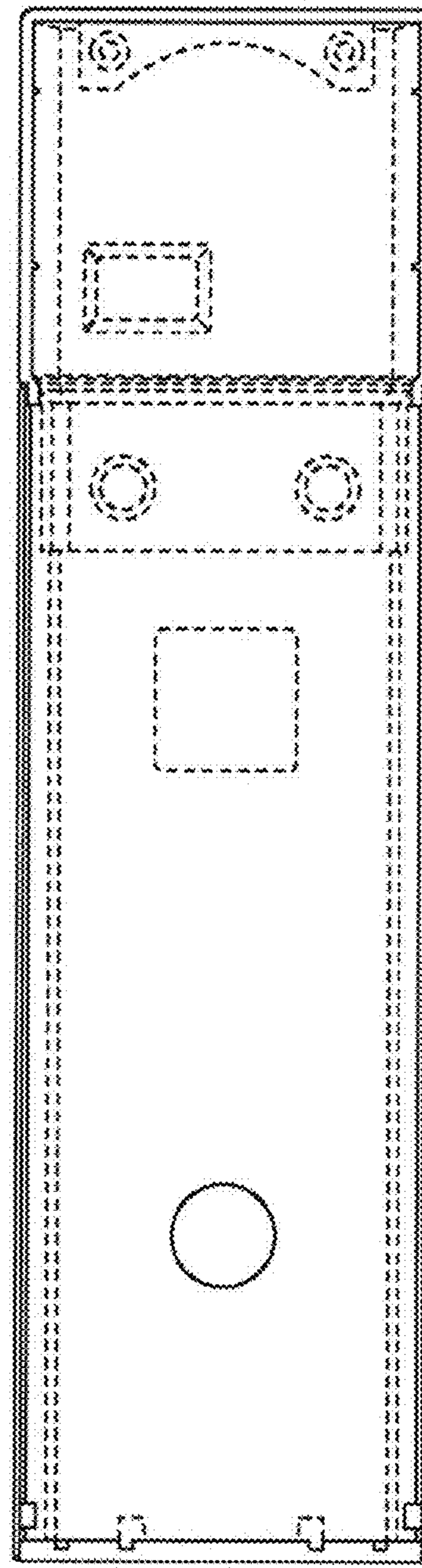


FIG. 2

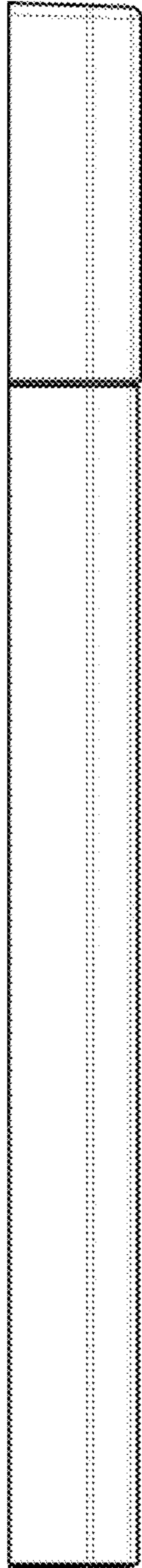


FIG. 3

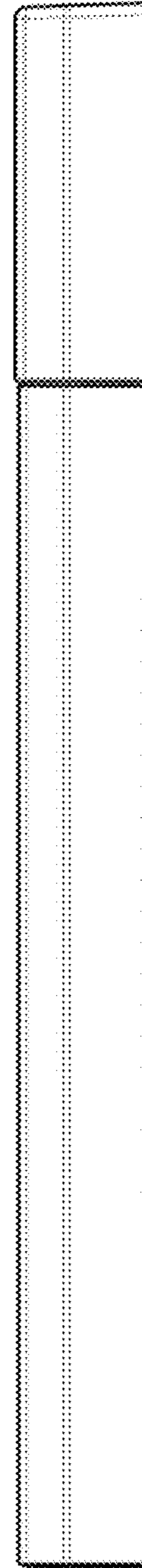


FIG. 4



FIG. 5



FIG. 6

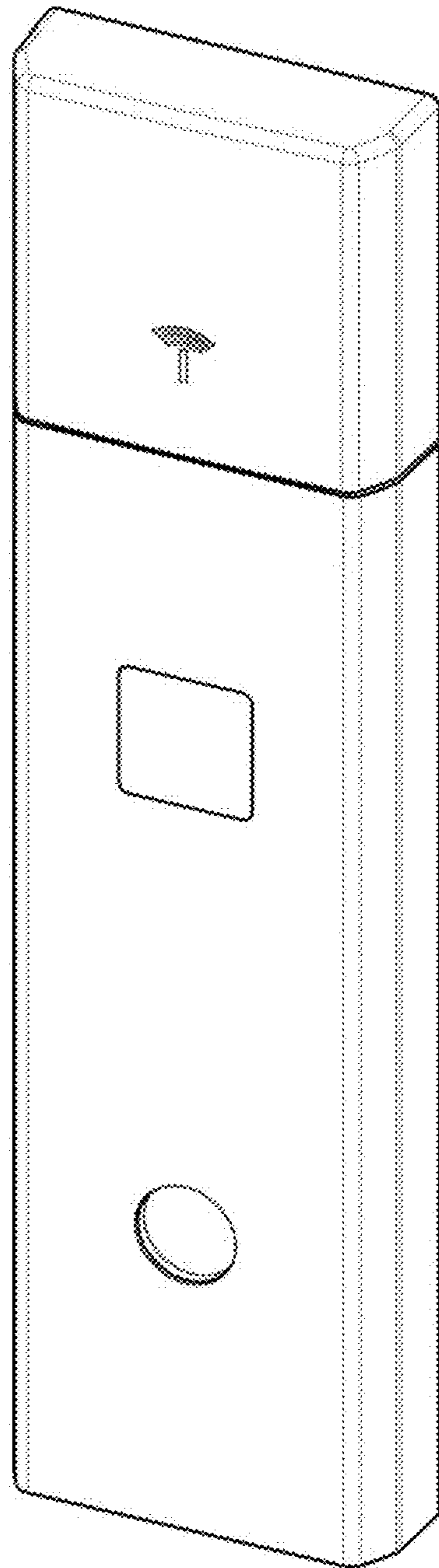


FIG. 7