



US00D766069S

(12) **United States Design Patent**
Miller

(10) **Patent No.:** **US D766,069 S**
(45) **Date of Patent:** **** Sep. 13, 2016**

- (54) **FASTENER SET FOR A TOILET FLANGE**
- (71) Applicant: **Jody D. Miller**, Indianapolis, IN (US)
- (72) Inventor: **Jody D. Miller**, Indianapolis, IN (US)
- (**) Term: **15 Years**
- (21) Appl. No.: **29/536,288**
- (22) Filed: **Aug. 14, 2015**

6,698,986	B2 *	3/2004	Fraleigh	E03D 11/16
					411/301
7,954,179	B2 *	6/2011	Johnson	E03D 11/16
					4/252.1
8,568,187	B2 *	10/2013	Norman	A63H 33/084
					273/156
D699,555	S *	2/2014	Yazich	D8/387
D720,408	S *	12/2014	Webb	D21/484
9,068,678	B2 *	6/2015	Whitehead	E03D 11/16
2013/0291479	A1 *	11/2013	Schaefer	F24J 2/5245
					52/745.21
2015/0191903	A1 *	7/2015	Doerscher, Sr.	E03D 11/16
					4/252.4
2015/0322661	A1 *	11/2015	Duncan	E03D 11/16
					29/890.141
2015/0322662	A1 *	11/2015	Schuster	E03D 11/16
					29/890.141
2015/0368891	A1 *	12/2015	Miller	E03D 11/16
					4/252.1

Related U.S. Application Data

- (63) Continuation of application No. 29/463,559, filed on Jan. 3, 2014.
- (51) **LOC (10) Cl.** **11-05**
- (52) **U.S. Cl.**
USPC **D8/349**
- (58) **Field of Classification Search**
USPC D8/349, 354-355, 373, 380, 382-383, D8/394, 396; D13/102, 118, 149, 154, D13/155, 184, 199; D14/209, 204; D16/330, 242; D25/119, 123, 124, D25/125; D21/484, 500, 504
CPC F24J 2/07; F24J 2/14; F24J 2/541; F24J 2/542; F24J 2/38; Y02E 10/47; Y02E 10/45; Y02E 10/50; Y02E 10/60; Y02E 10/52; E04H 9/022; E04H 9/021; E02D 27/34; E04B 1/98; E03D 11/16
See application file for complete search history.

(56) **References Cited**

U.S. PATENT DOCUMENTS

4,530,629	A *	7/1985	Sakow	F16B 37/04
					285/56
4,907,923	A *	3/1990	McGrath, Jr.	E03D 11/14
					4/252.1
5,421,036	A *	6/1995	Stevens	E03D 11/16
					285/60
D364,334	S *	11/1995	Sandstrom	D25/133
D434,812	S *	12/2000	Lehn Høeg	D21/487
6,430,756	B1 *	8/2002	Reilly	E03D 11/16
					4/252.1

* cited by examiner

Primary Examiner — Rosemary K Tarcza
Assistant Examiner — Nathaniel D Buckner
(74) *Attorney, Agent, or Firm* — Bruce J. Bowman

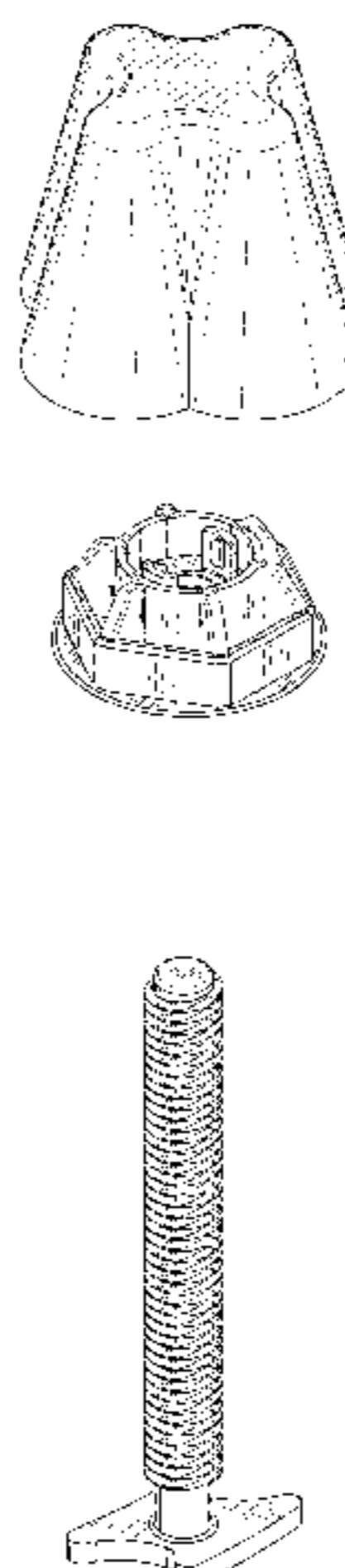
(57) **CLAIM**

The ornamental design for a fastener set for a toilet flange, as shown and described.

DESCRIPTION

FIG. 1 is an exploded, top, perspective view of a fastener set for a toilet flange, showing my new design; FIG. 2 is an exploded, bottom, perspective view thereof; FIG. 3 is a top plan view thereof; FIG. 4 is a bottom plan view thereof; FIG. 5 is an exploded, front elevational view thereof; FIG. 6 is an exploded, side elevational view thereof; FIG. 7 is an exploded perspective view of the fastener set for a toilet flange positioned between a toilet flange attached to a floor drain and a toilet outlet; and, FIG. 8 is a cross-sectional view taken along the line 8-8 of FIG. 7 and viewed in the direction of the arrows. The broken lines in the figures represent portions of the article, which form no part of the claim.

1 Claim, 8 Drawing Sheets



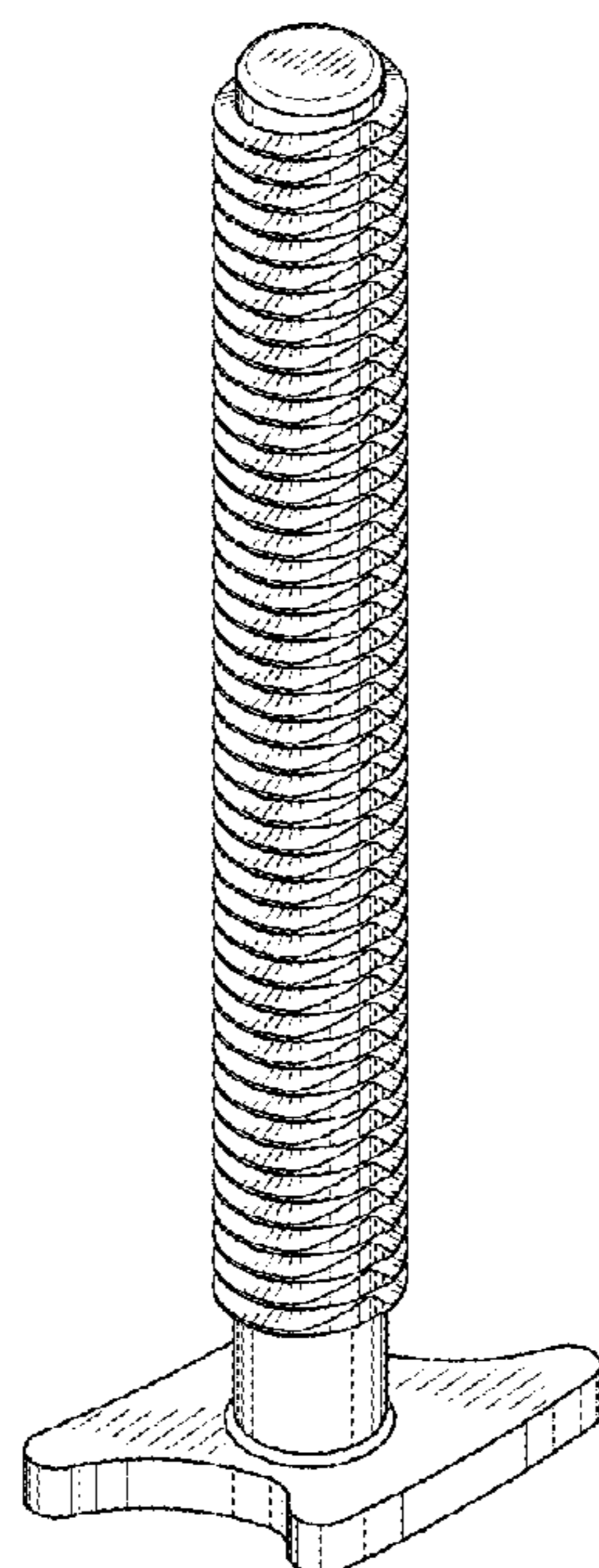
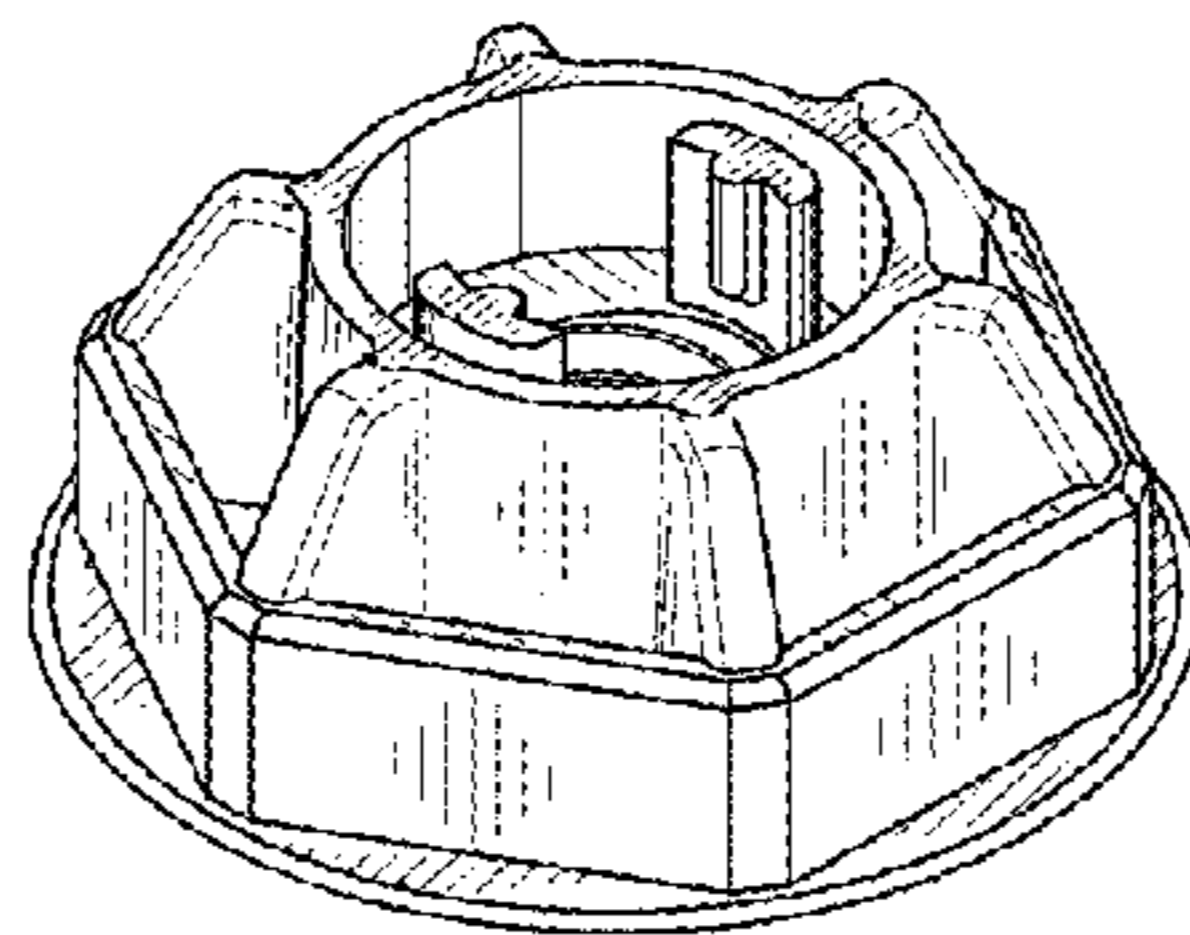
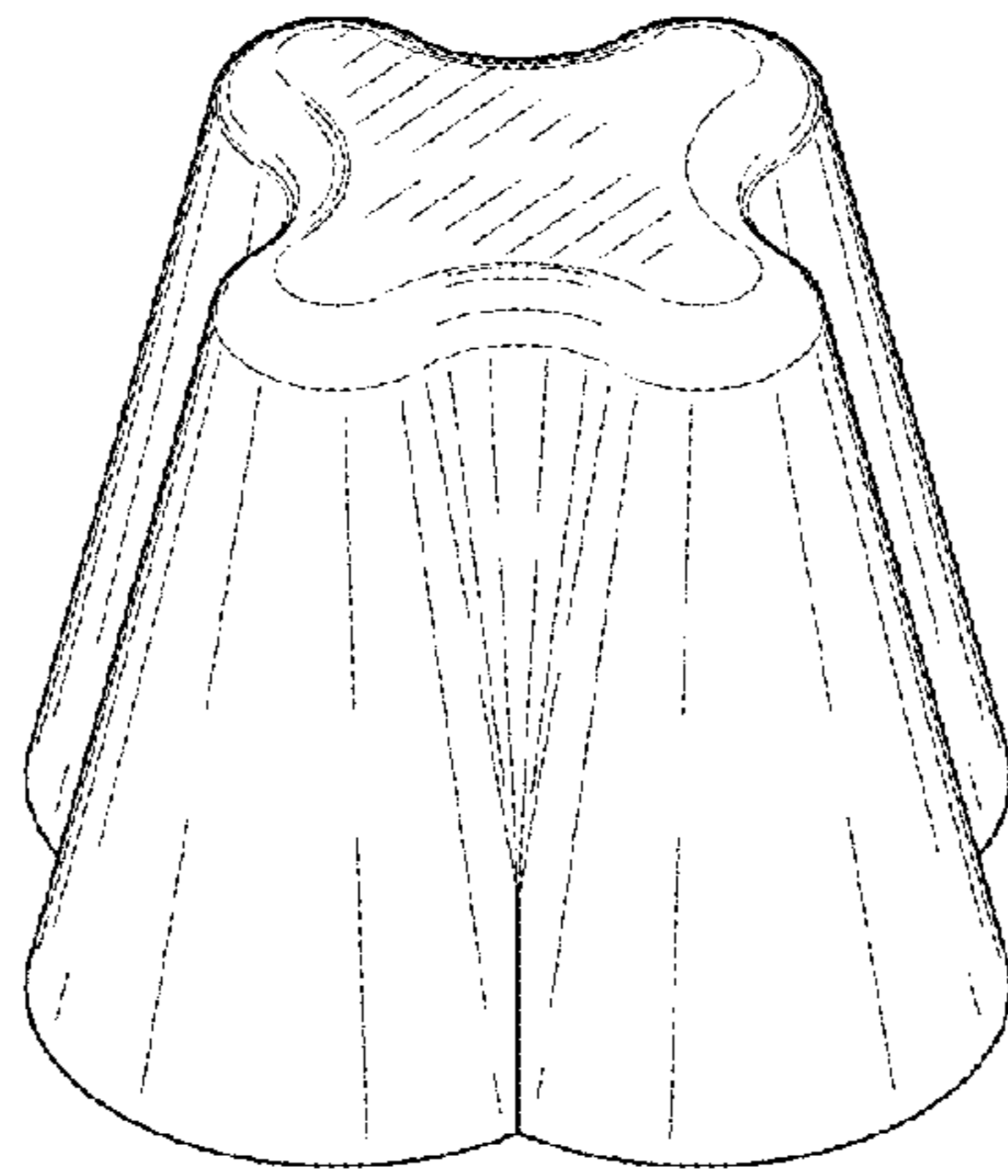


FIG. 1

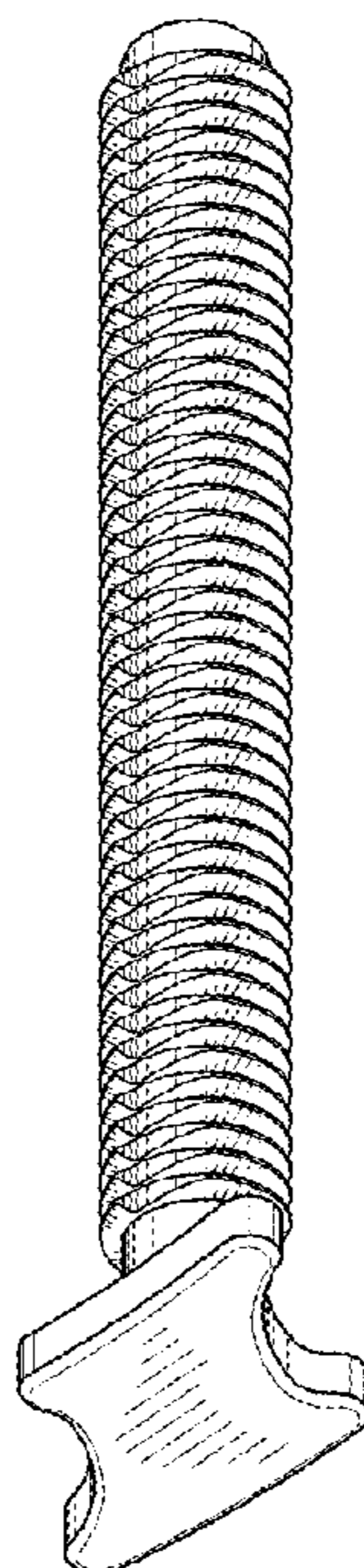
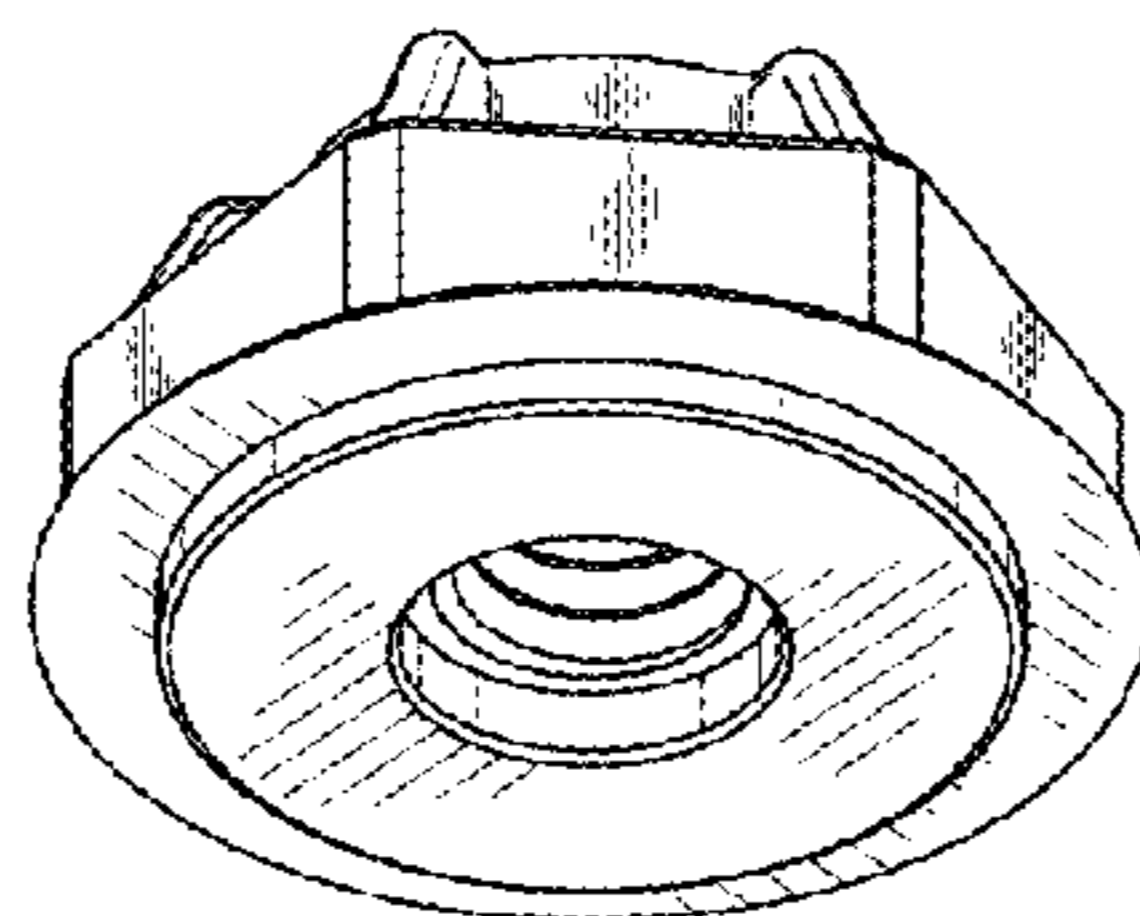
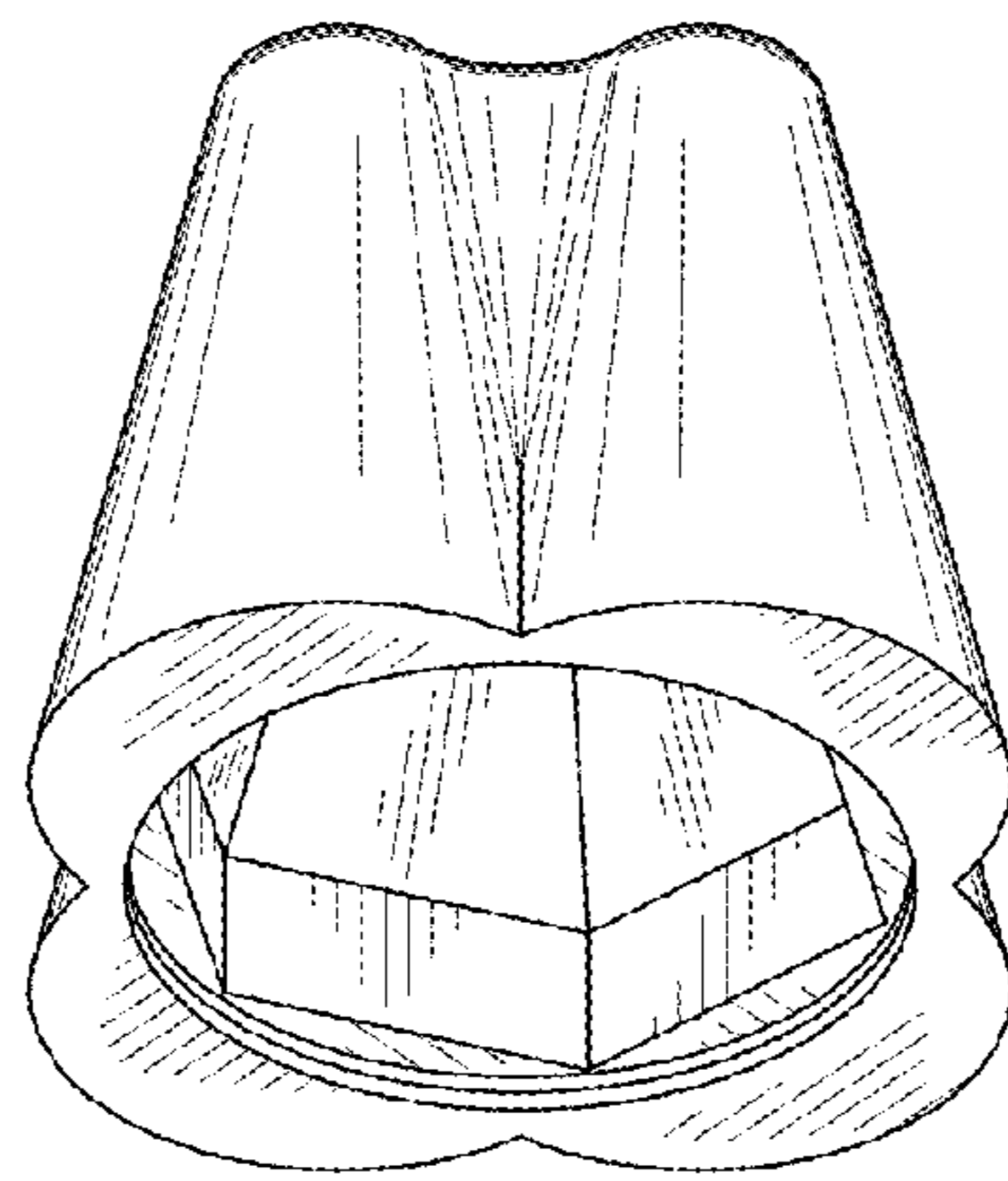


FIG. 2

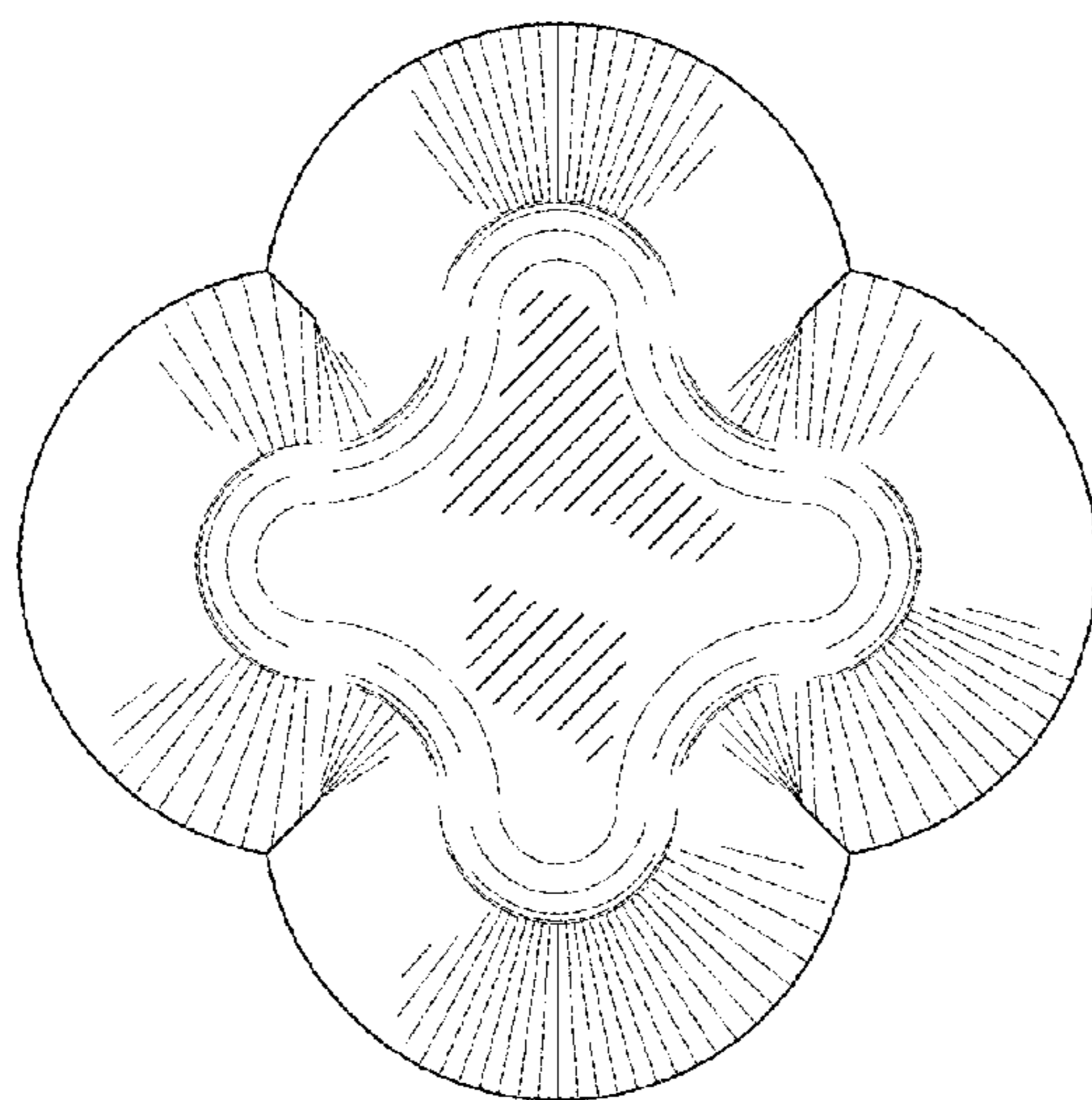


FIG. 3

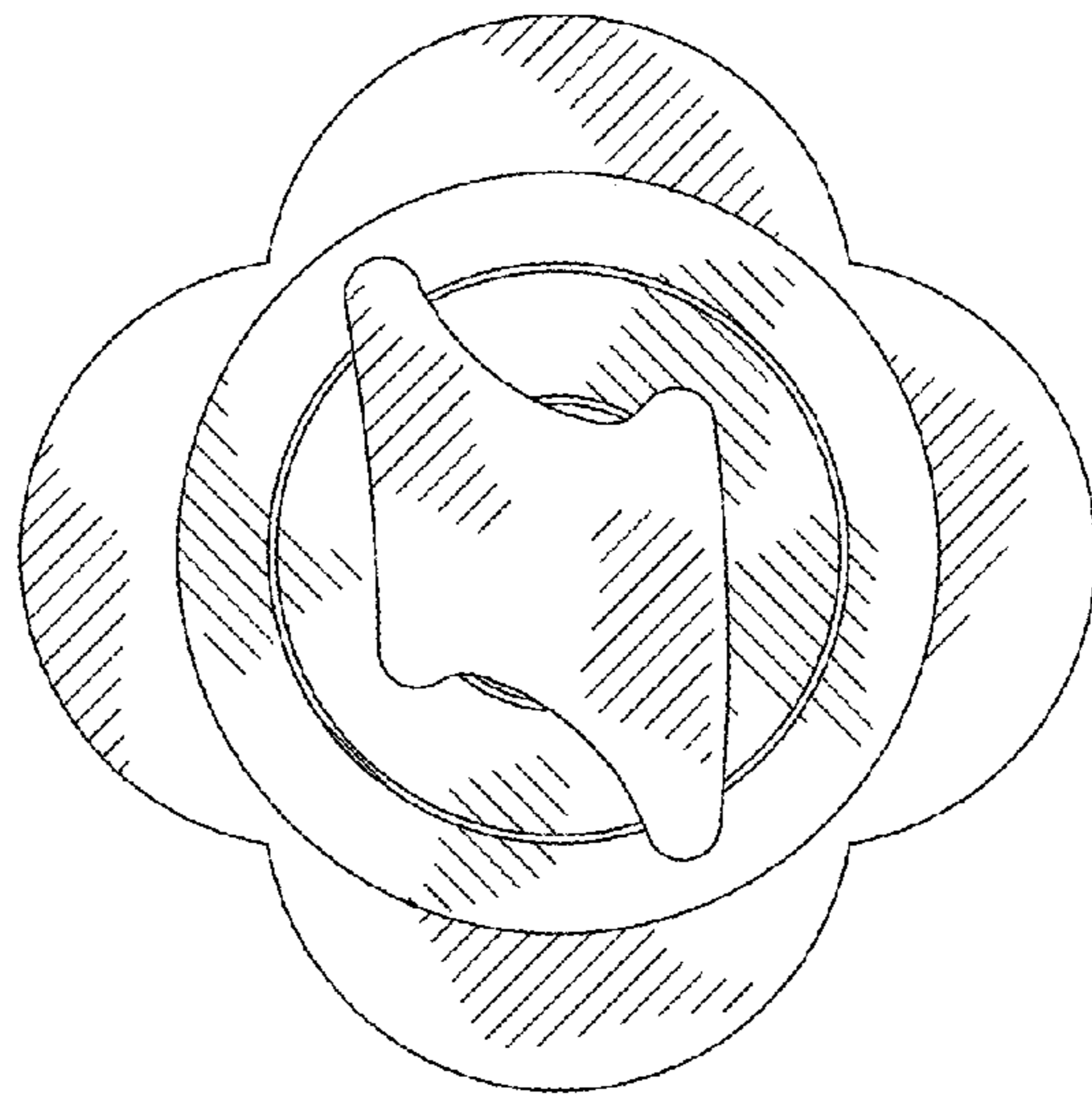


FIG. 4

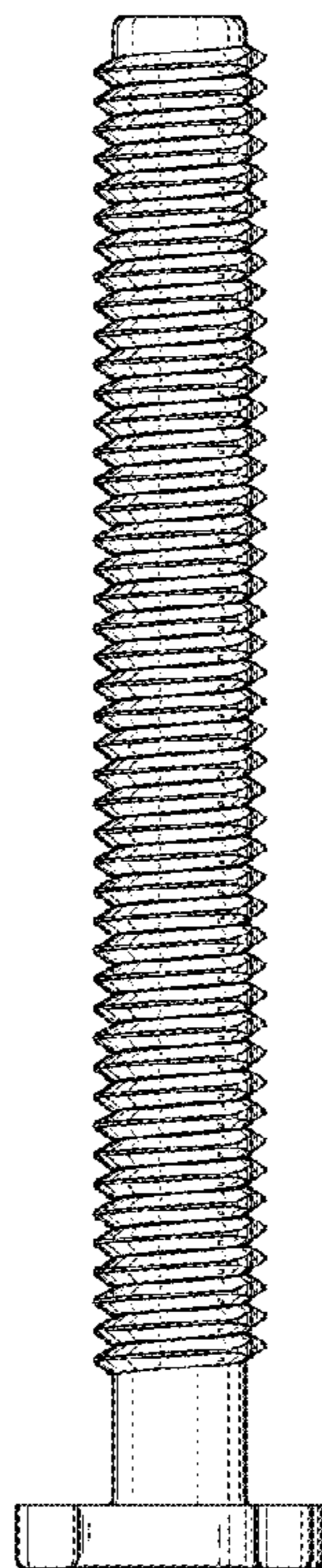
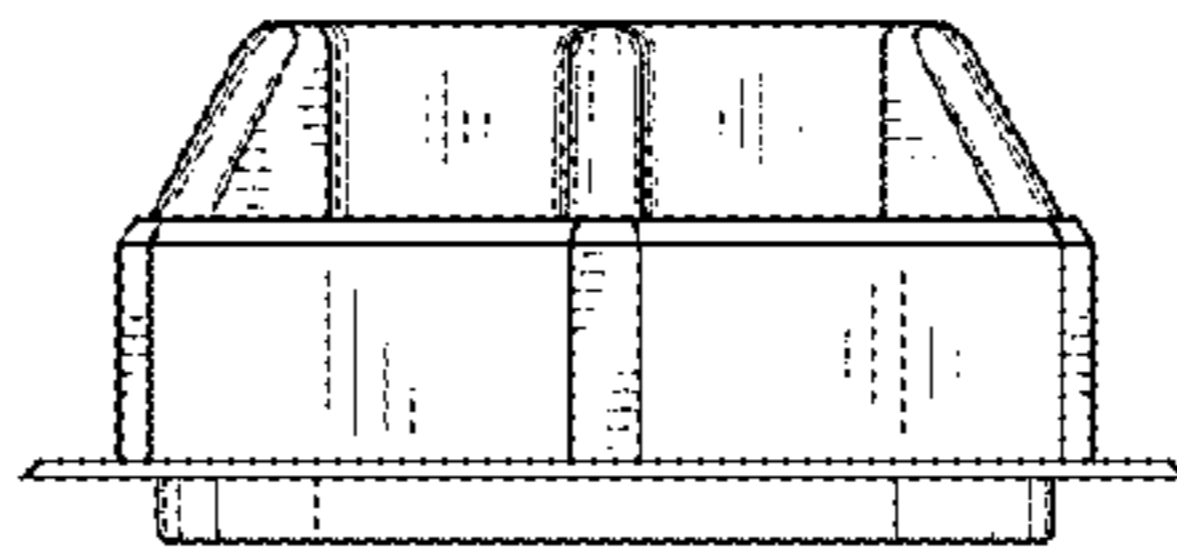
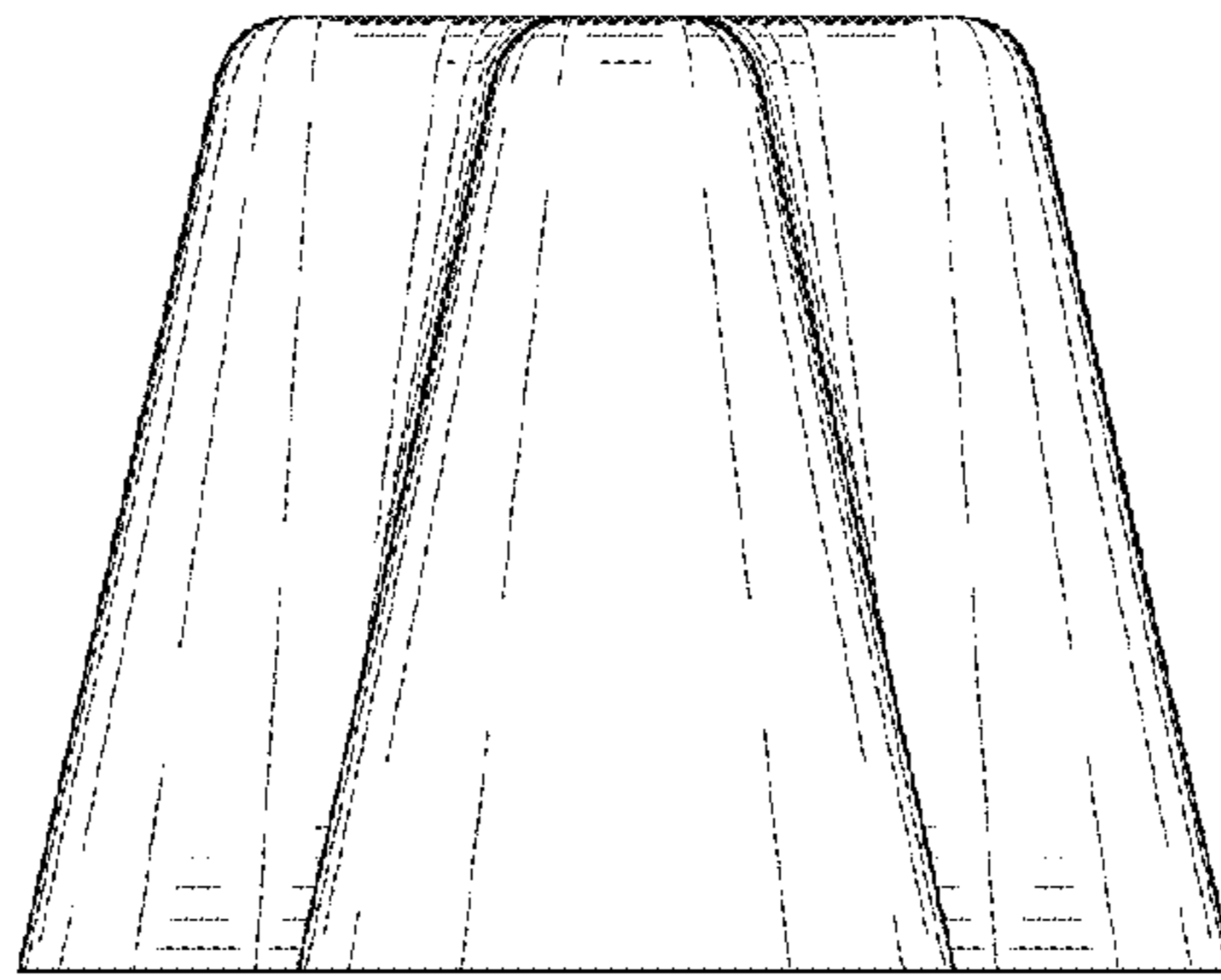


FIG. 5

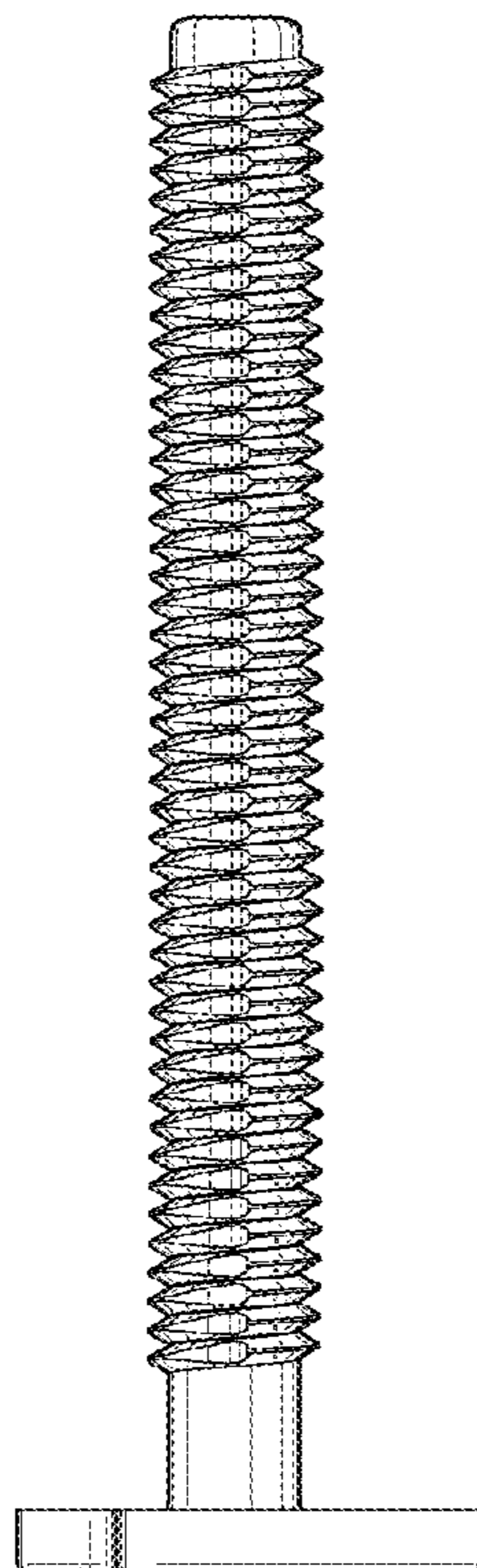
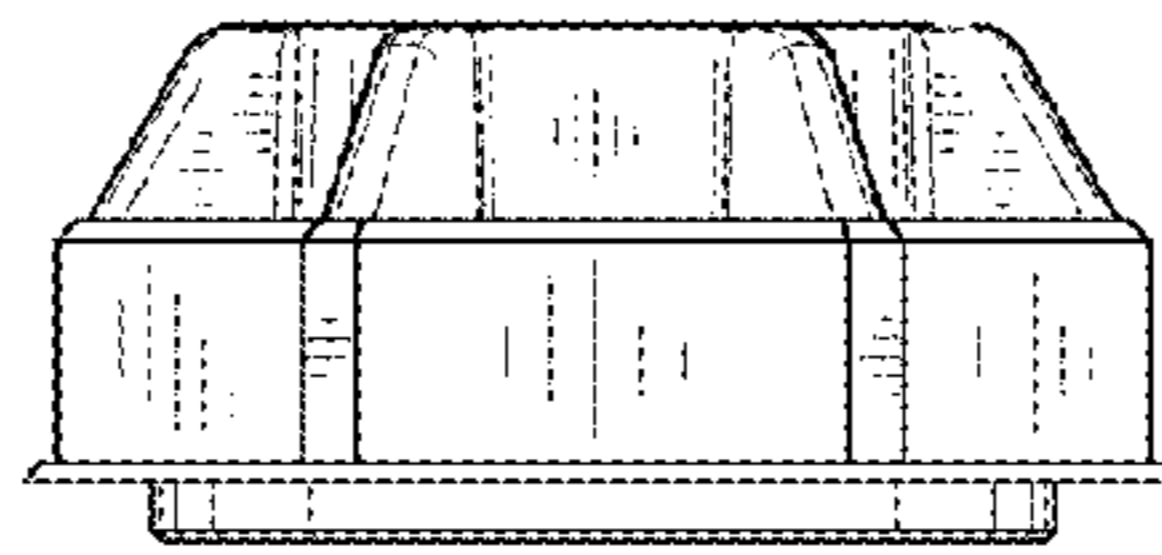
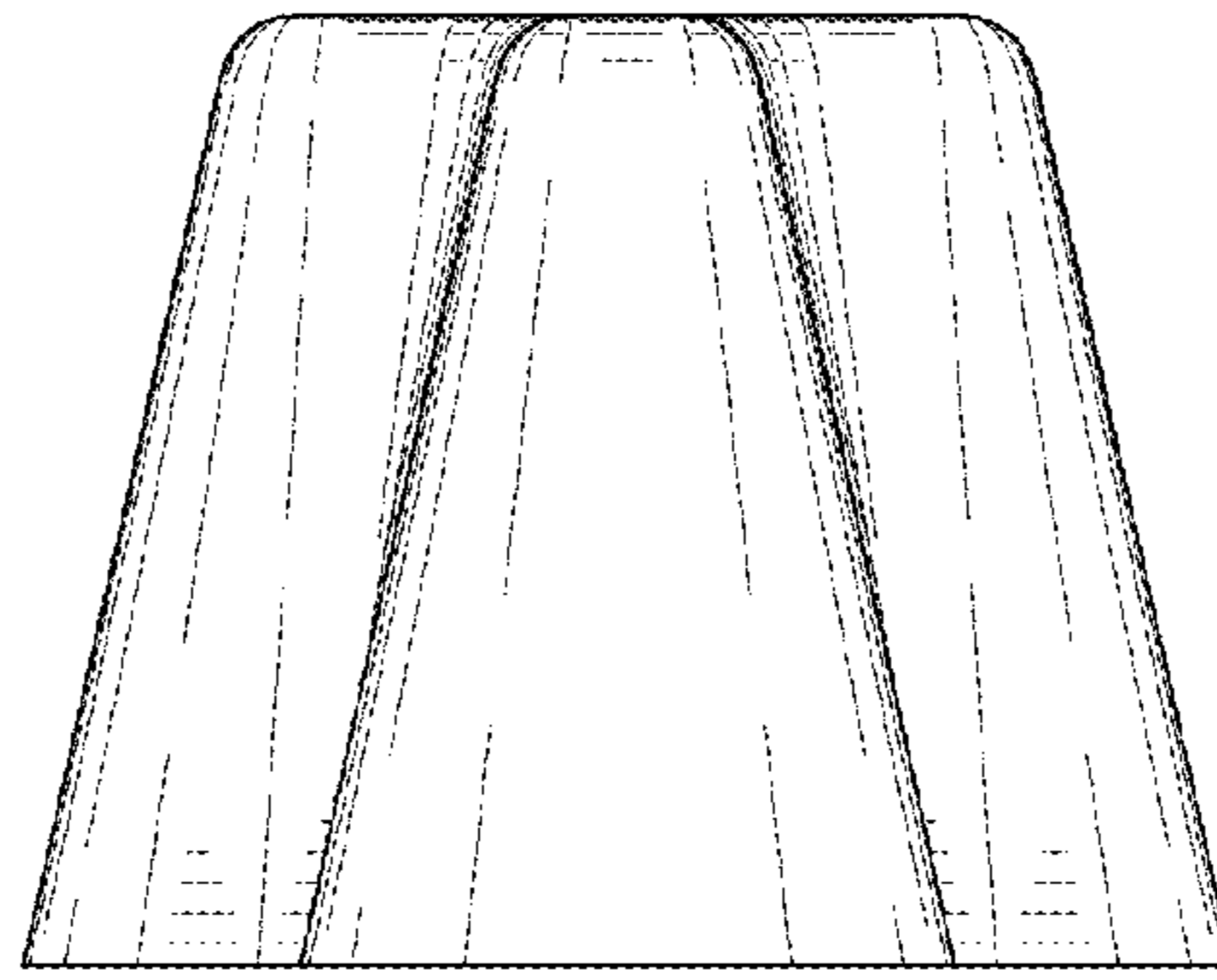


FIG. 6

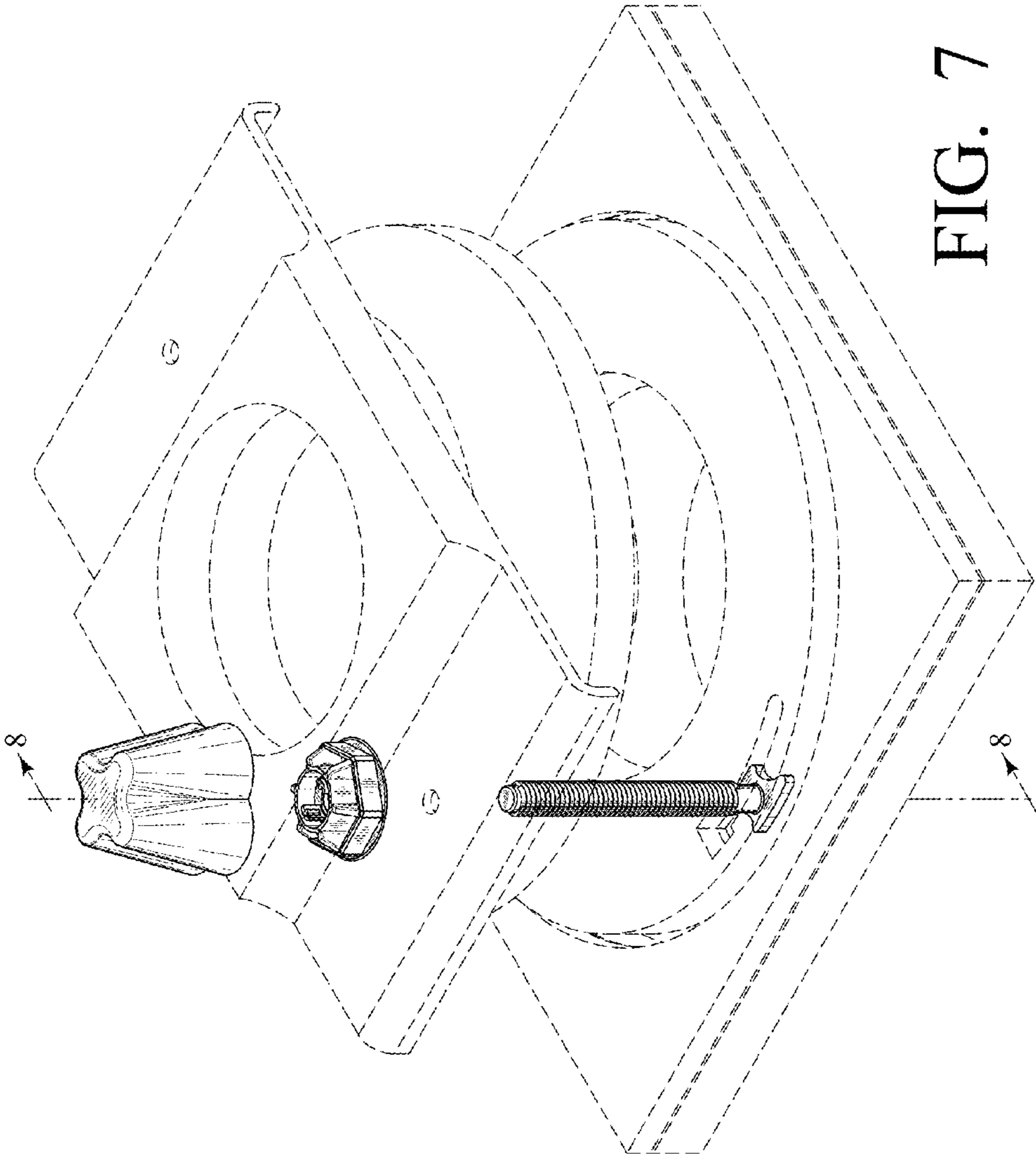


FIG. 7

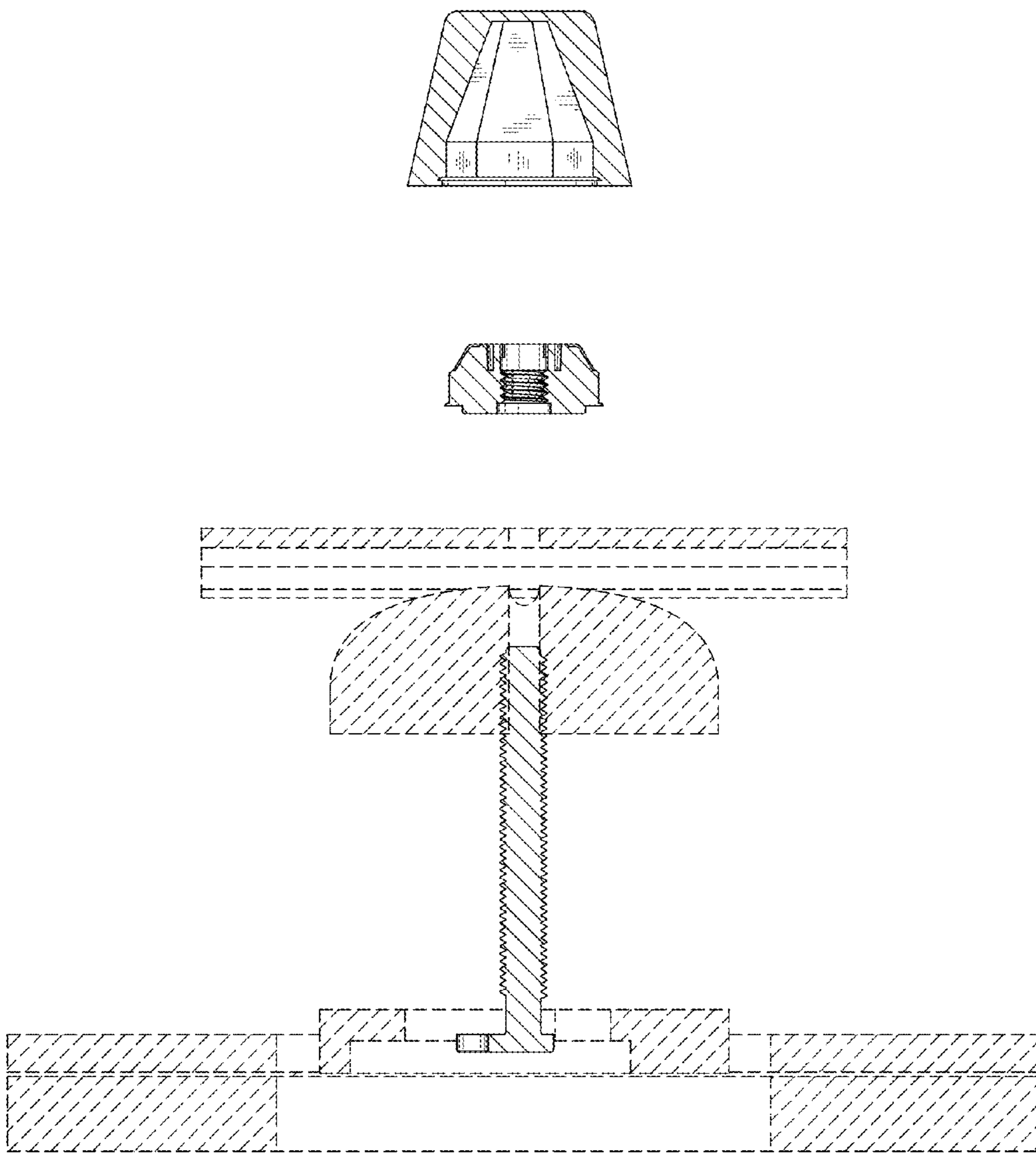


FIG. 8