



US00D766068S

(12) **United States Design Patent**
Marsden

(10) **Patent No.:** **US D766,068 S**

(45) **Date of Patent:** **** Sep. 13, 2016**

- (54) **SLIDING CABINET LOCK**
- (71) Applicant: **Elbee Pty Ltd.**, Bondi Junction (AU)
- (72) Inventor: **Andrew Marsden**, Hingham, MA (US)
- (73) Assignee: **Elbee Pty Ltd.**, Bondi Junction (AU)

(**) Term: **14 Years**

(21) Appl. No.: **29/501,925**

(22) Filed: **Sep. 10, 2014**

(51) **LOC (10) Cl.** **08-07**

(52) **U.S. Cl.**
USPC **D8/339; D8/331**

(58) **Field of Classification Search**
USPC D8/330, 331, 339-342, 349, 367, 400;
70/14, 19, 57, 57.1, 58, 51, 52, 199,
70/237, 240, 431, 288, 94, 99, 175, 177,
70/209, 225, 226; 292/92, 339, 259 R,
292/259 A, 57, 262, 273, 305, 306, DIG. 47;
49/57, 61, 62, 303, 463-466
CPC E03C 1/04; E03C 19/18; E05B 73/00
See application file for complete search history.

(56) **References Cited**

U.S. PATENT DOCUMENTS

- D239,079 S * 3/1976 Sato D8/339
- D244,174 S * 5/1977 Sankey 292/292
- 4,617,810 A * 10/1986 Fish E05B 65/0894
70/14
- D396,627 S * 8/1998 Blad D8/339
- 6,021,655 A * 2/2000 Labbe E05B 17/0004
29/281.1
- D524,633 S * 7/2006 Robert D8/339

- D616,722 S * 6/2010 Shin D8/339
- 7,841,327 B2 * 11/2010 Sopinsky A63F 9/02
124/16
- 8,157,839 B2 * 4/2012 Riskin A61B 17/083
606/214
- 8,402,798 B2 * 3/2013 Brojanac E05B 67/383
137/385
- D710,183 S * 8/2014 Huddleston D8/339

OTHER PUBLICATIONS

Safety 1st Cabinet Lock, publicly disclosed prior to Sep. 10, 2014.

* cited by examiner

Primary Examiner — Prabhakar Deshmukh

(74) *Attorney, Agent, or Firm* — Wolf, Greenfield & Sacks, P.C.

(57) **CLAIM**

The ornamental design for a sliding cabinet lock, as shown and described.

DESCRIPTION

FIG. 1 is a front, right, and top perspective view of a sliding cabinet lock showing my new design;
 FIG. 2 is a front, right, and top perspective view thereof;
 FIG. 3 is a left side elevational view thereof;
 FIG. 4 is a right elevational view thereof;
 FIG. 5 is a rear, right and top perspective view thereof;
 FIG. 6 is a rear, left and top perspective view thereof;
 FIG. 7 is a rear, right and bottom perspective view thereof;
 FIG. 8 is a rear, left and bottom perspective view thereof;
 FIG. 9 is a front, left and bottom perspective view thereof;
 FIG. 10 is a front, right and bottom perspective view thereof;
 FIG. 11 is a top plan view thereof; and,
 FIG. 12 is a bottom plan view thereof.

1 Claim, 12 Drawing Sheets

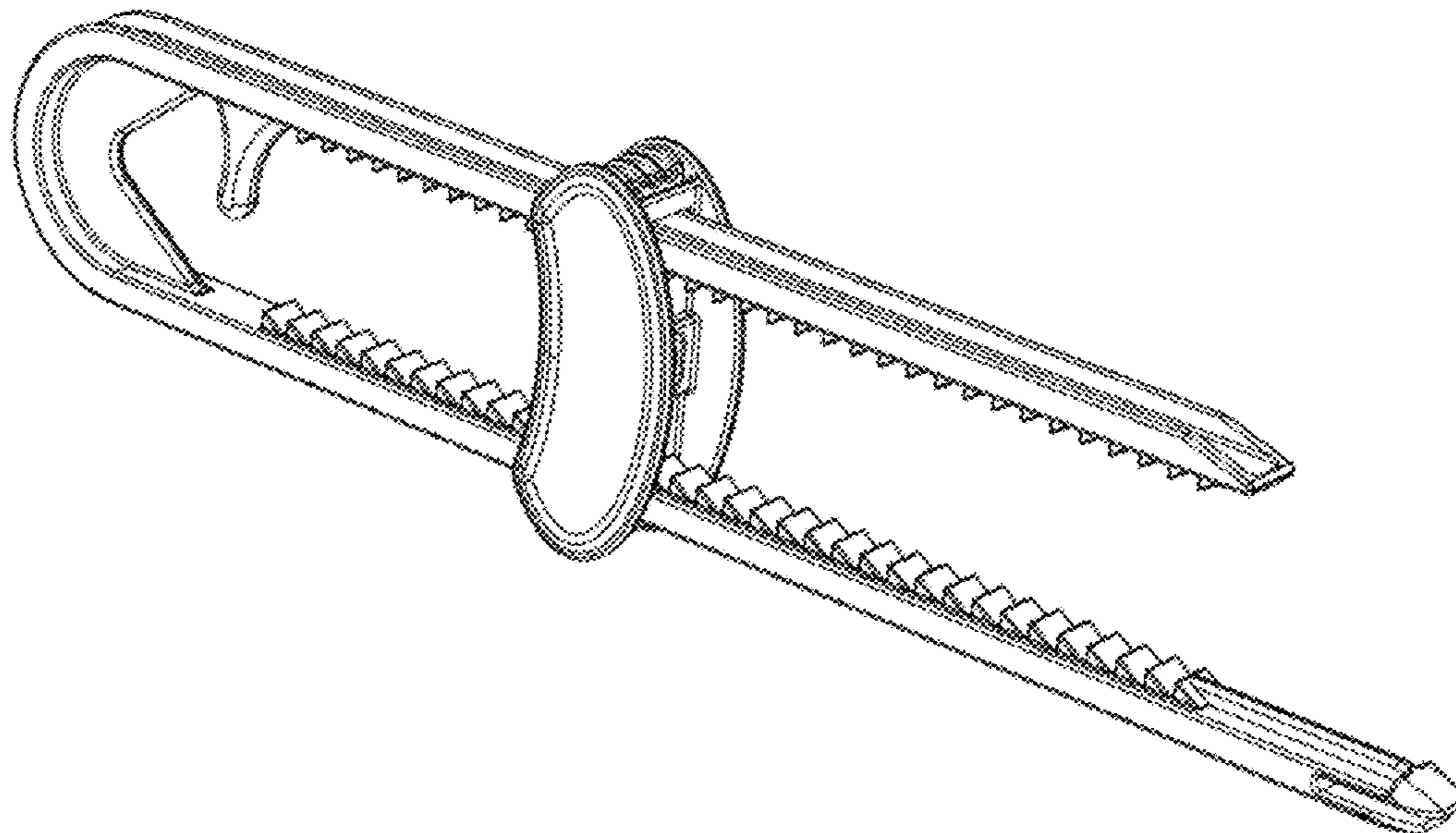


FIG. 1

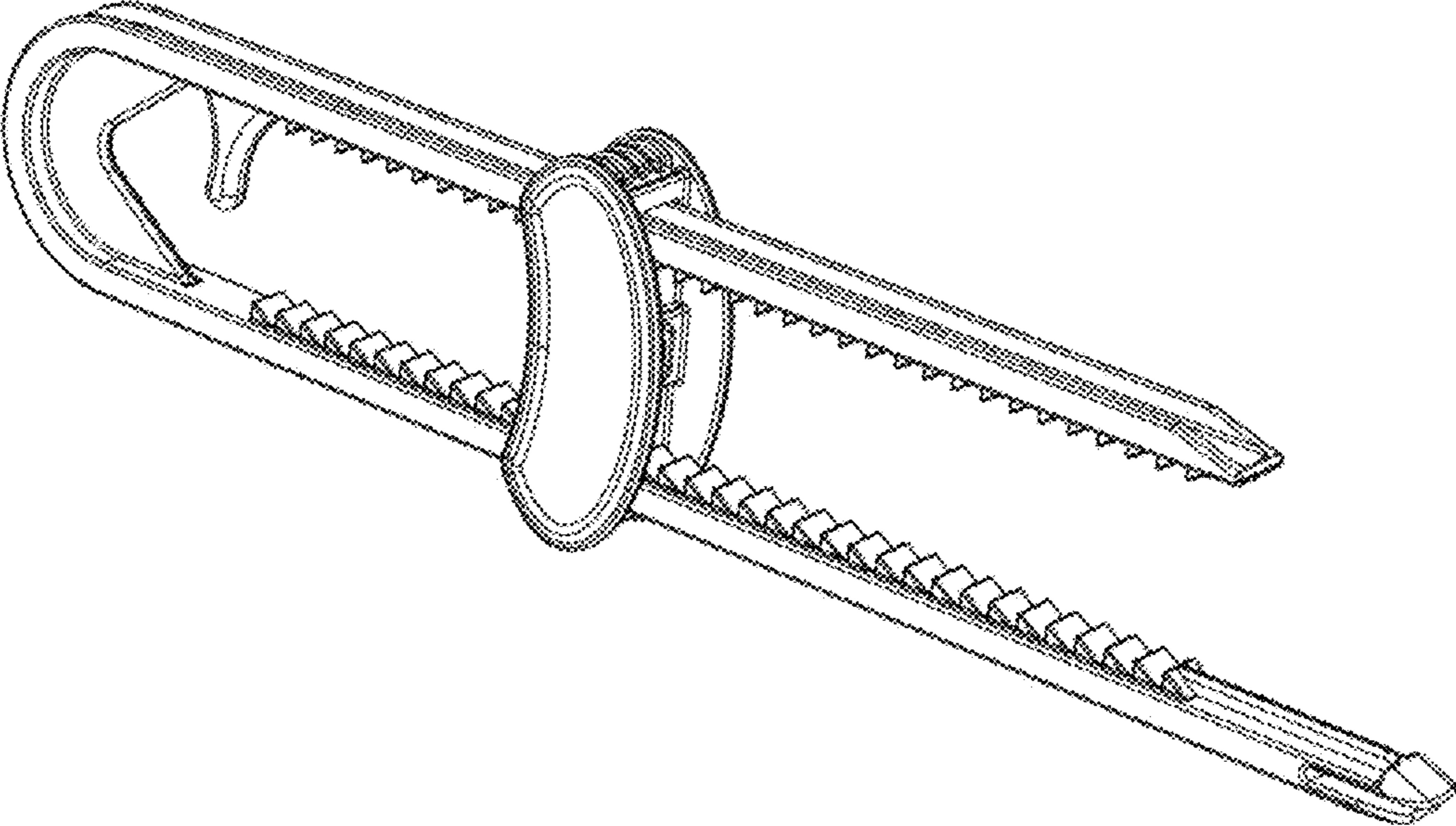


FIG. 2

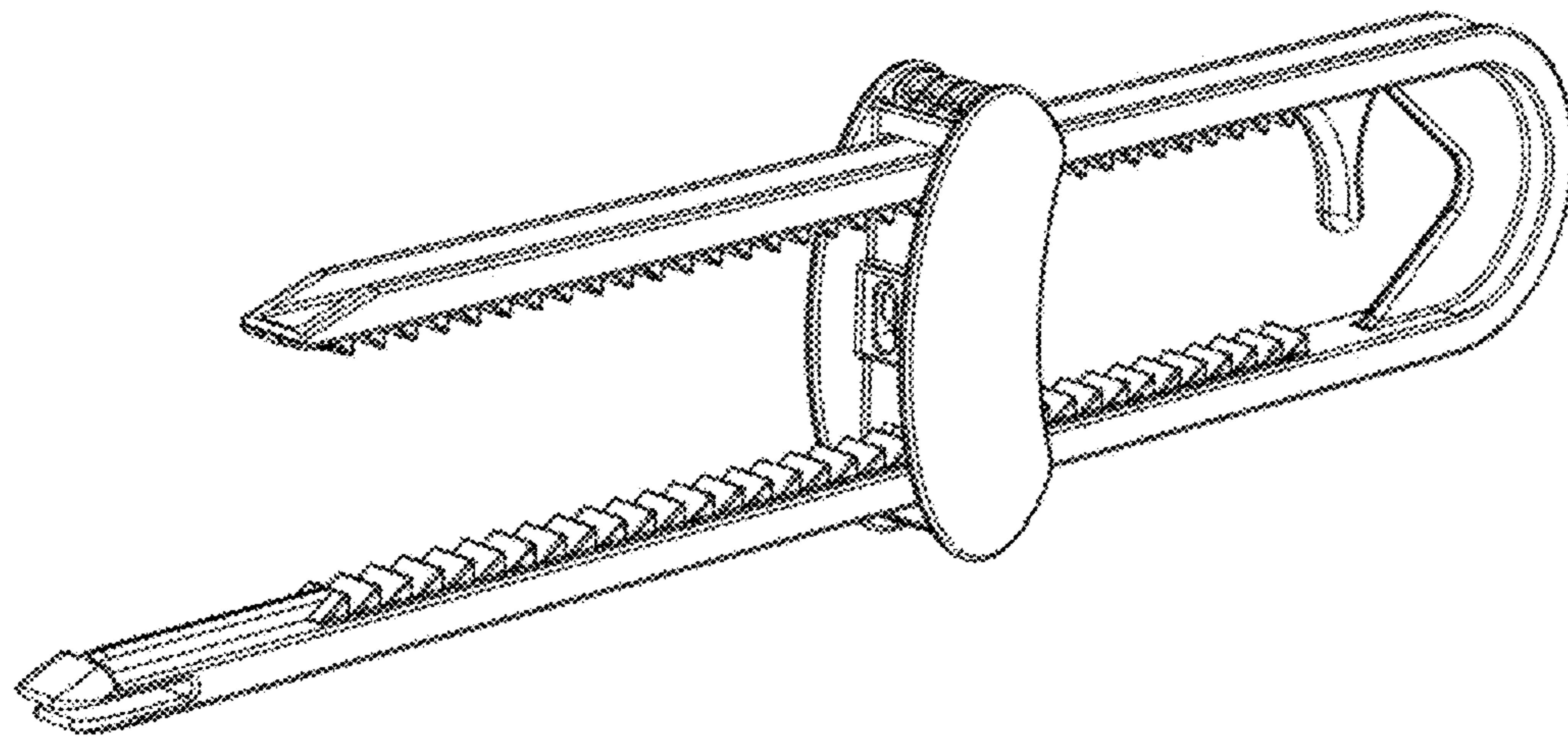


FIG. 3

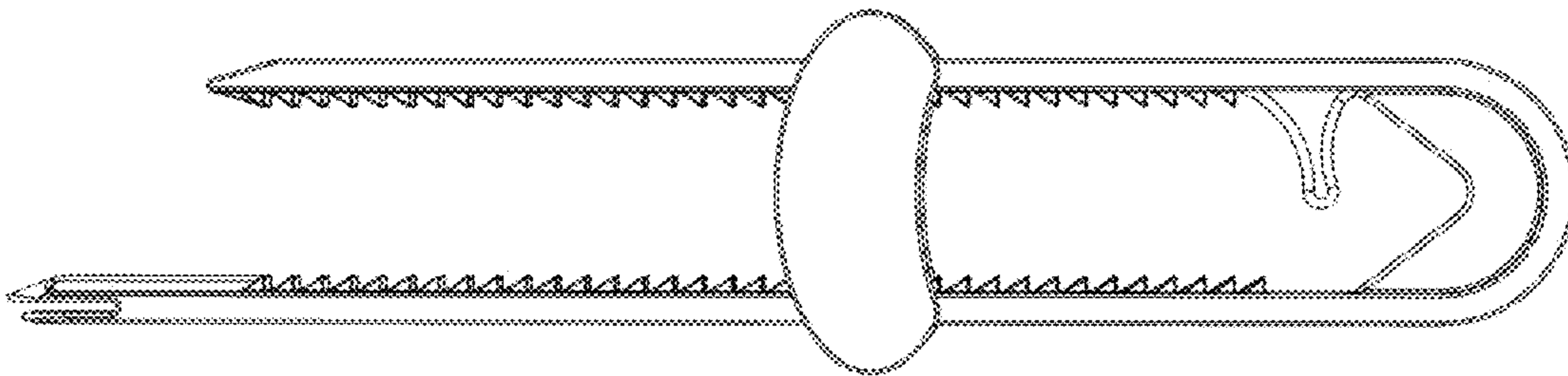


FIG. 4

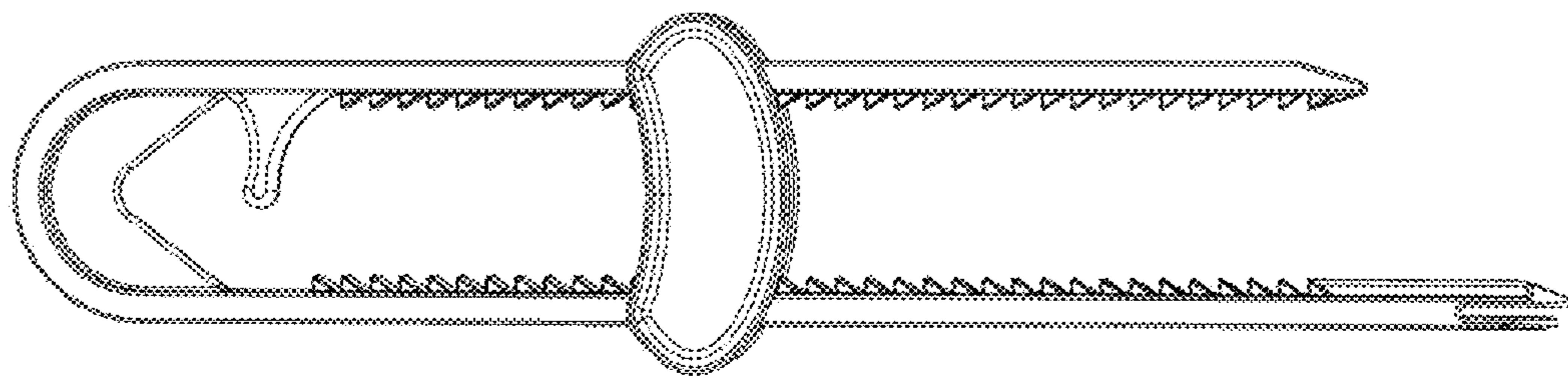


FIG. 5

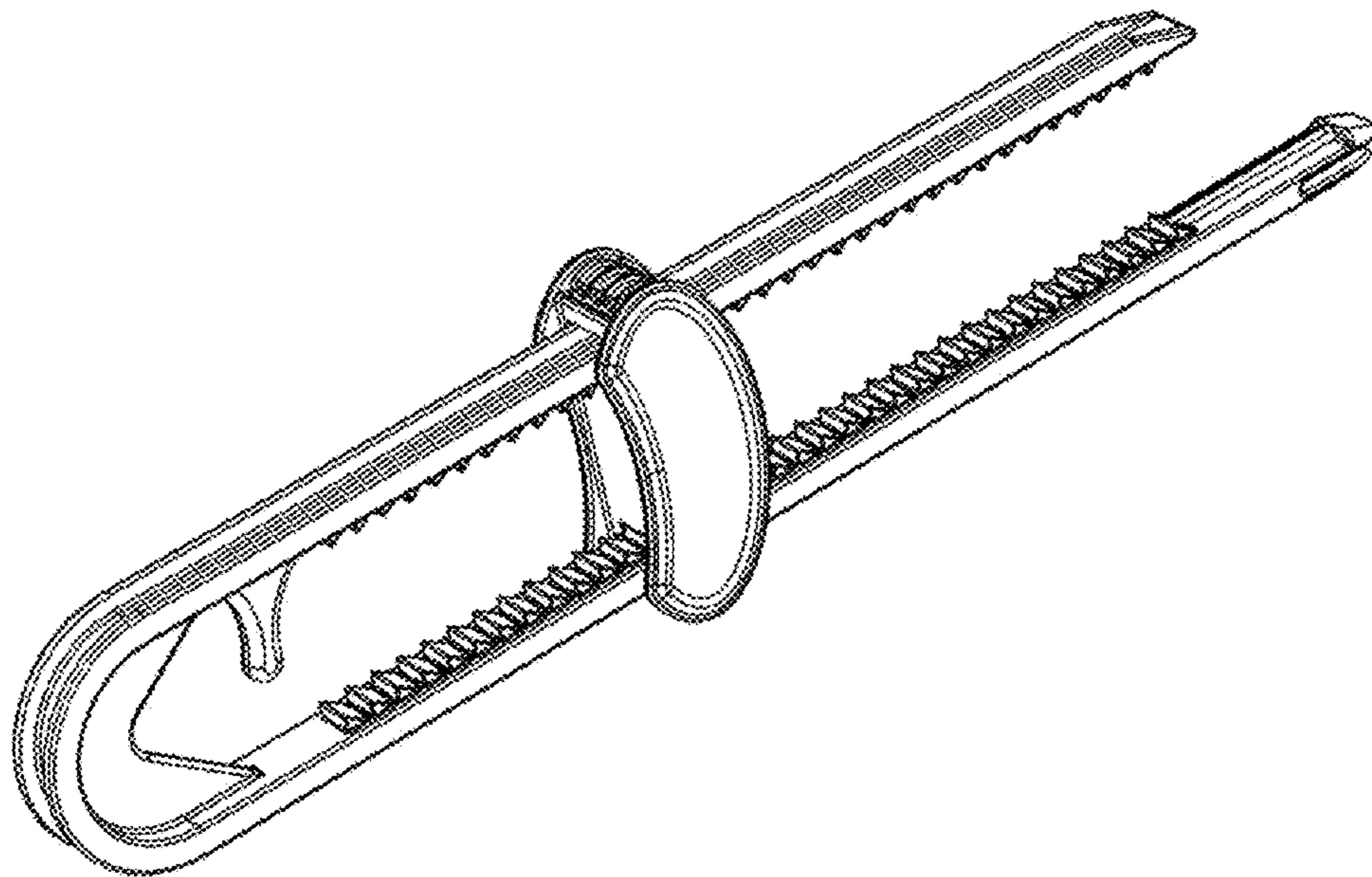


FIG. 6

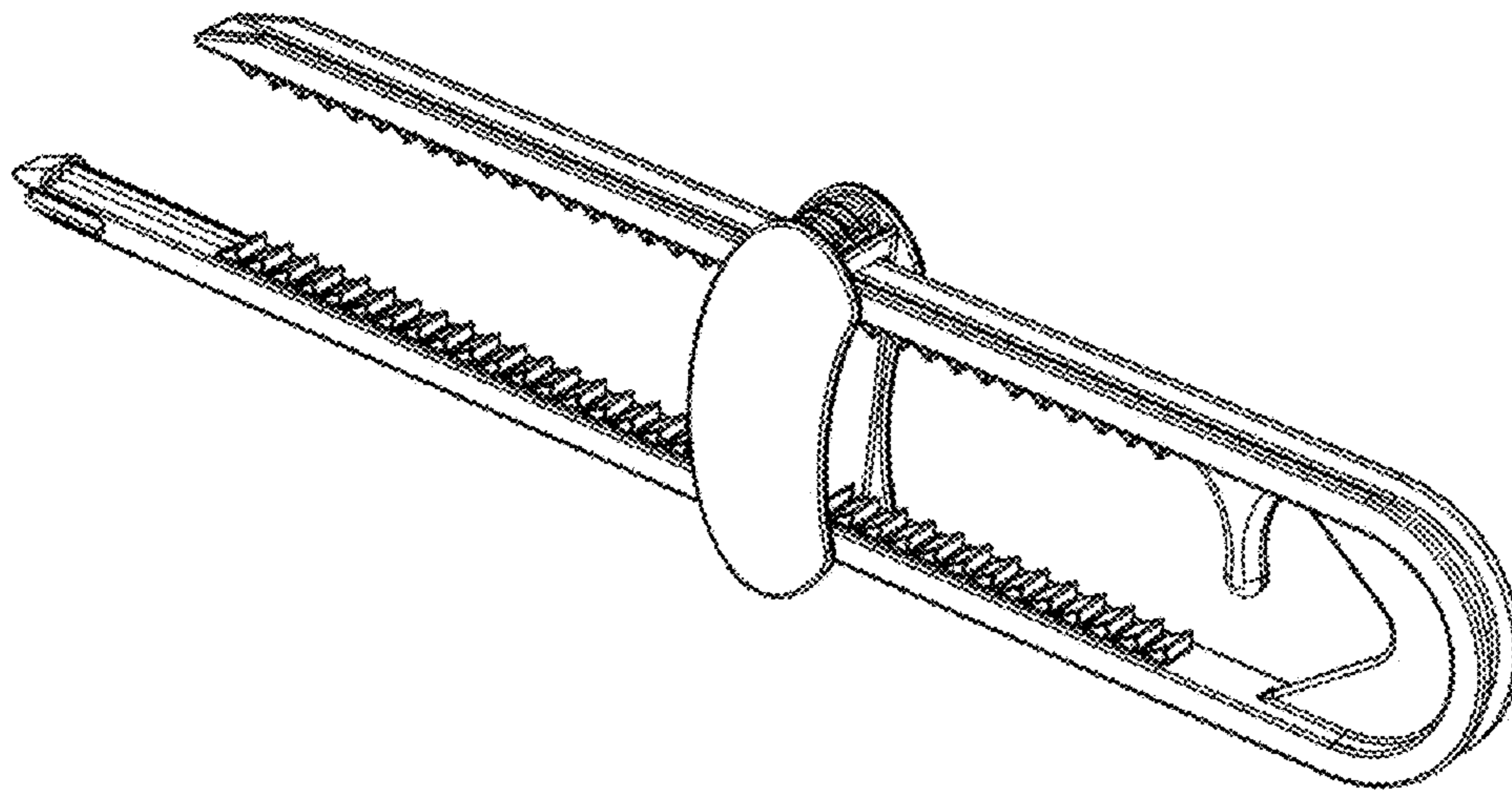


FIG. 7

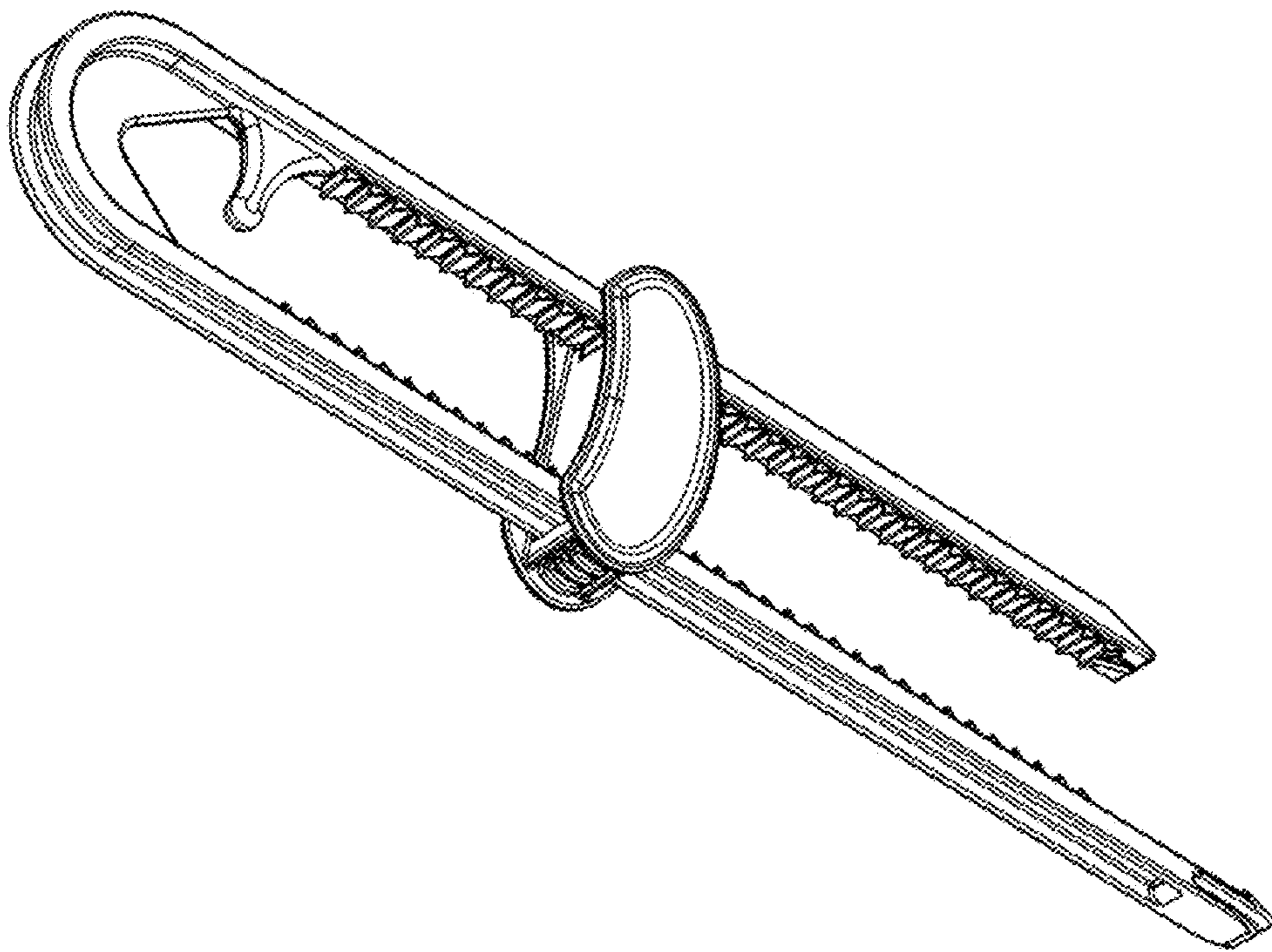


FIG. 8

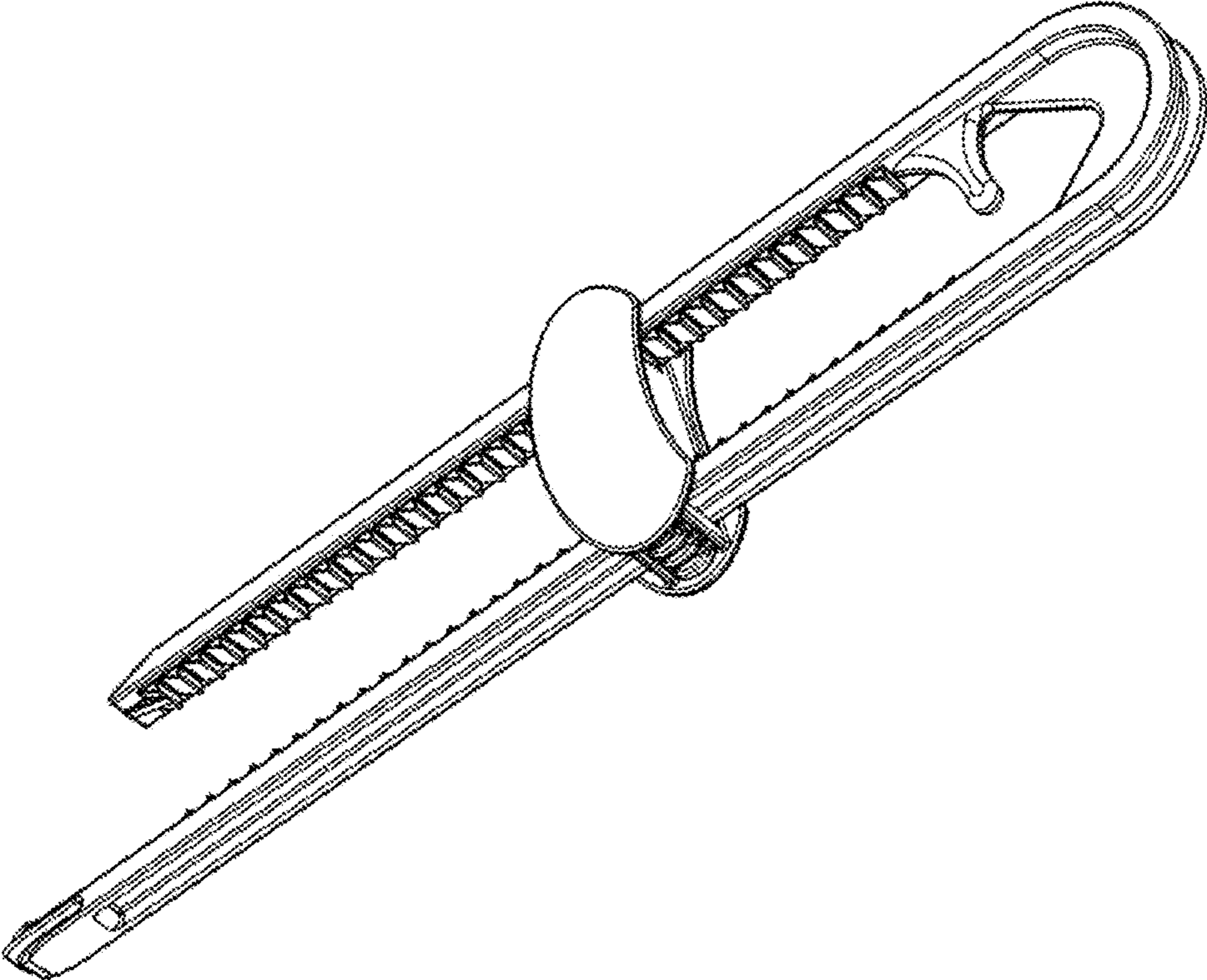


FIG. 9

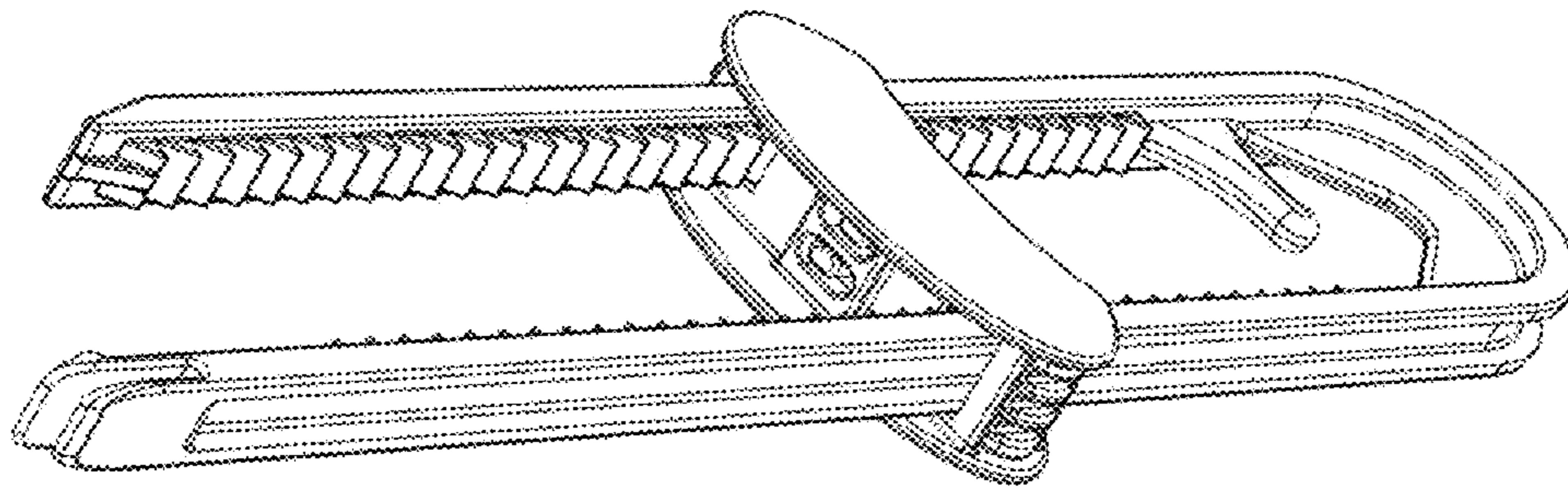


FIG. 10

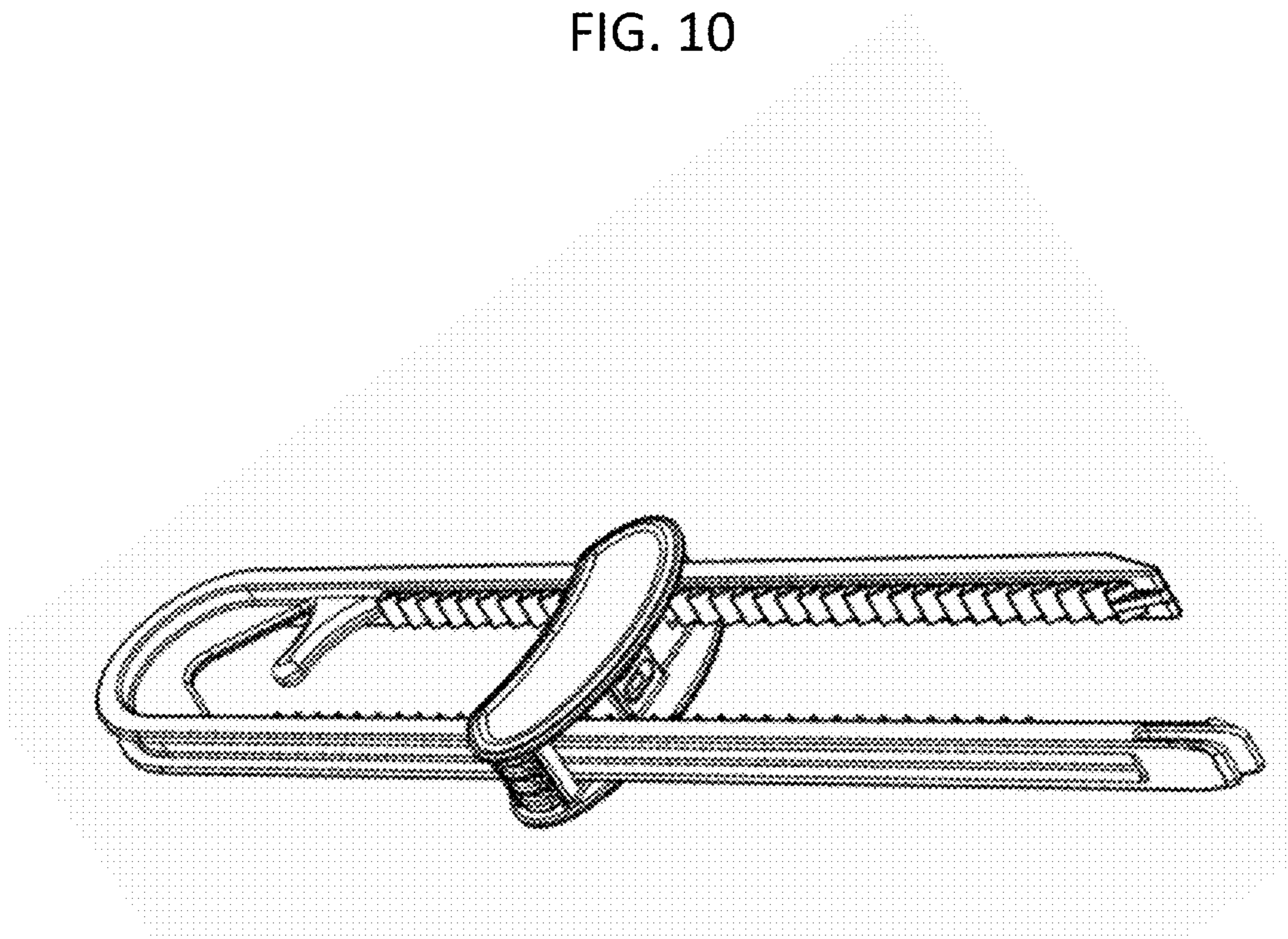


FIG. 11

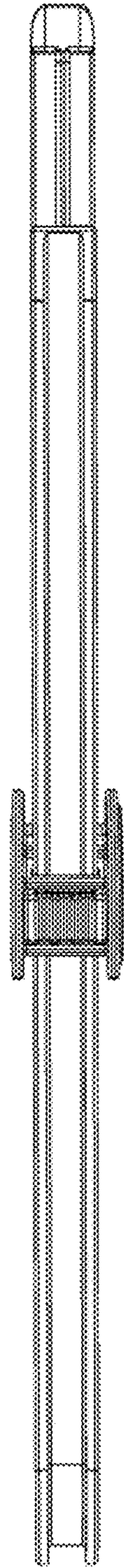


FIG. 12

