

US00D766067S

(12) **United States Design Patent**
Hyde et al.

(10) **Patent No.:** **US D766,067 S**
(45) **Date of Patent:** **** Sep. 13, 2016**

(54) **DOOR LOCK**

(71) Applicant: **RPH Engineering**, Lehi, UT (US)

(72) Inventors: **Ryan P. Hyde**, Lehi, UT (US); **Jacob S. Morrise**, Lehi, UT (US); **John Robert Schwartz**, Saratoga Springs, UT (US); **Michael R. Colton**, American Fork, UT (US)

(73) Assignee: **RPH Engineering**, Lehi, UT (US)

(**) Term: **15 Years**

(21) Appl. No.: **29/531,971**

(22) Filed: **Jun. 30, 2015**

(51) **LOC (10) Cl.** **08-07**

(52) **U.S. Cl.**
USPC **D8/331; D8/330**

(58) **Field of Classification Search**
USPC D8/330, 331, 334, 300, 301; 70/14,
70/20-22, 57, 57.1, 284-286, 314,
70/DIG. 44
CPC .. E05B 47/00; E05B 47/0692; E05B 63/044;
E05B 15/02; H01H 9/00
See application file for complete search history.

(56) **References Cited**

U.S. PATENT DOCUMENTS

4,688,409 A * 8/1987 Oliver E05B 15/1614
70/417
D365,976 S * 1/1996 Chiu D8/301
5,987,945 A * 11/1999 Ruano
Aramburu E05B 47/0692
70/107

D425,396 S * 5/2000 Schlack D8/331
D433,920 S * 11/2000 Chang D8/331
6,145,353 A * 11/2000 Doucet E05B 47/0692
70/149
6,733,050 B1 * 5/2004 Yao E05B 63/044
292/137
D490,686 S * 6/2004 Martin D8/343
D502,859 S * 3/2005 Peng D8/331
7,091,429 B2 * 8/2006 Case E05B 15/02
200/314
D545,172 S * 6/2007 Kaiser D8/331
D639,636 S * 6/2011 Krakoff D8/338
D752,946 S * 4/2016 Shen D8/330

* cited by examiner

Primary Examiner — Prabhakar Deshmukh

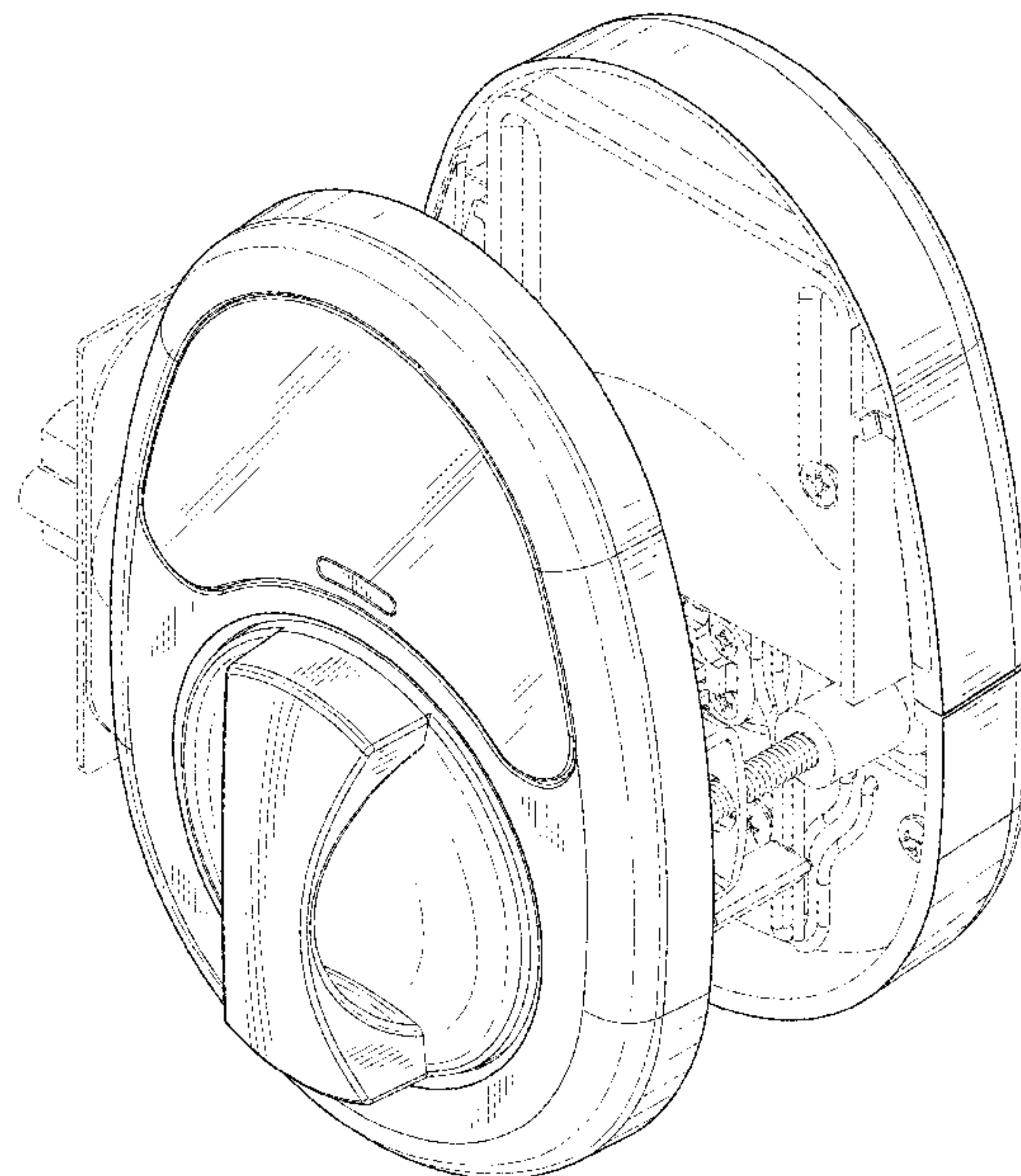
(57) **CLAIM**

The ornamental design for a door lock, as shown and described.

DESCRIPTION

FIG. 1 is a front perspective view of a door lock showing our new design;
FIG. 2 is a rear perspective view thereof;
FIG. 3 is a front elevational view thereof;
FIG. 4 is rear elevational view thereof;
FIG. 5 is a right side elevational view thereof;
FIG. 6 is a left side elevational view thereof;
FIG. 7 is a top plan view thereof;
FIG. 8 is a bottom plan view thereof; and,
FIG. 9 is an exploded perspective view thereof.
The broken lines indicate unclaimed portions and form no part of the claimed design.

1 Claim, 9 Drawing Sheets



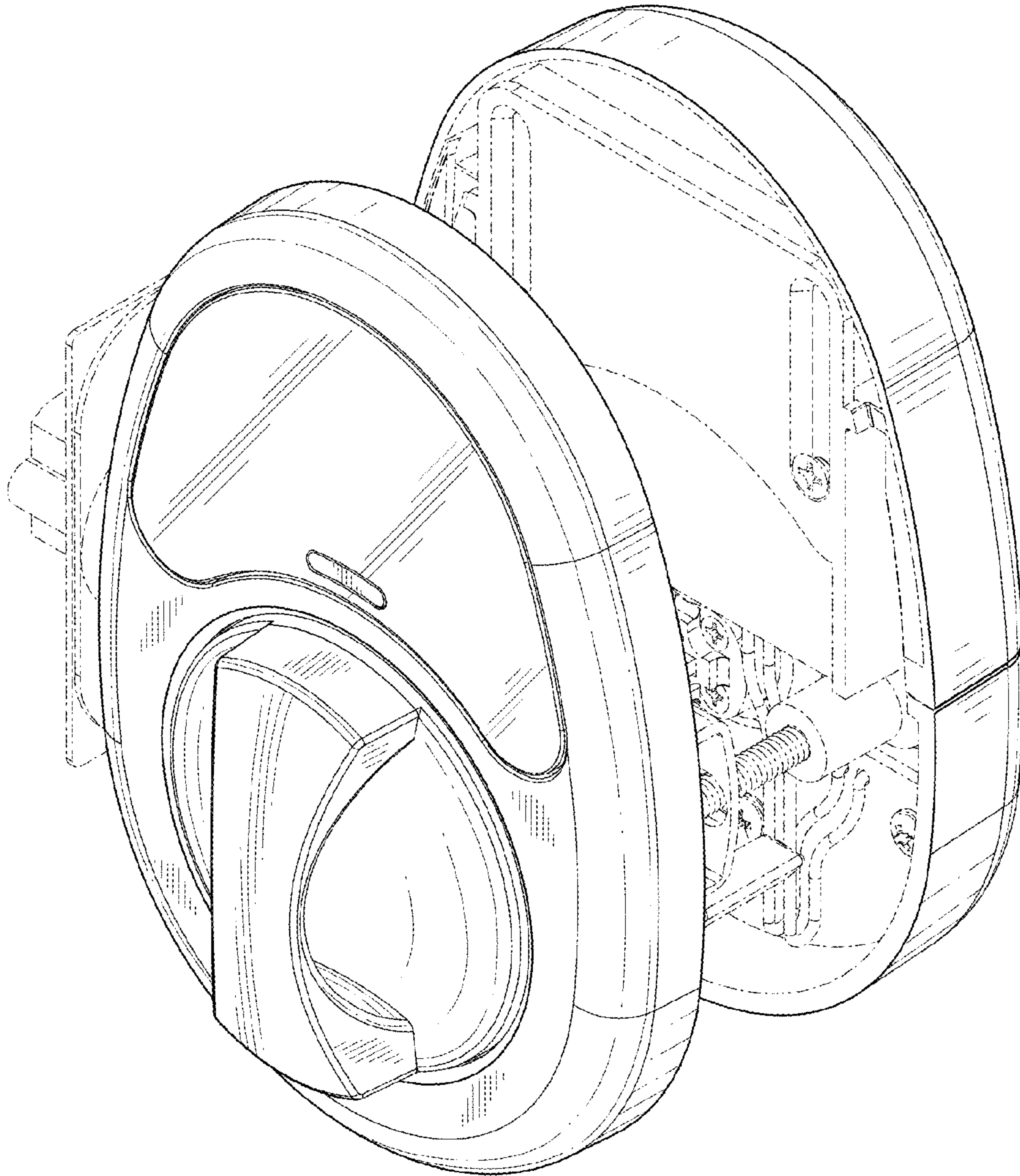


FIG. 1

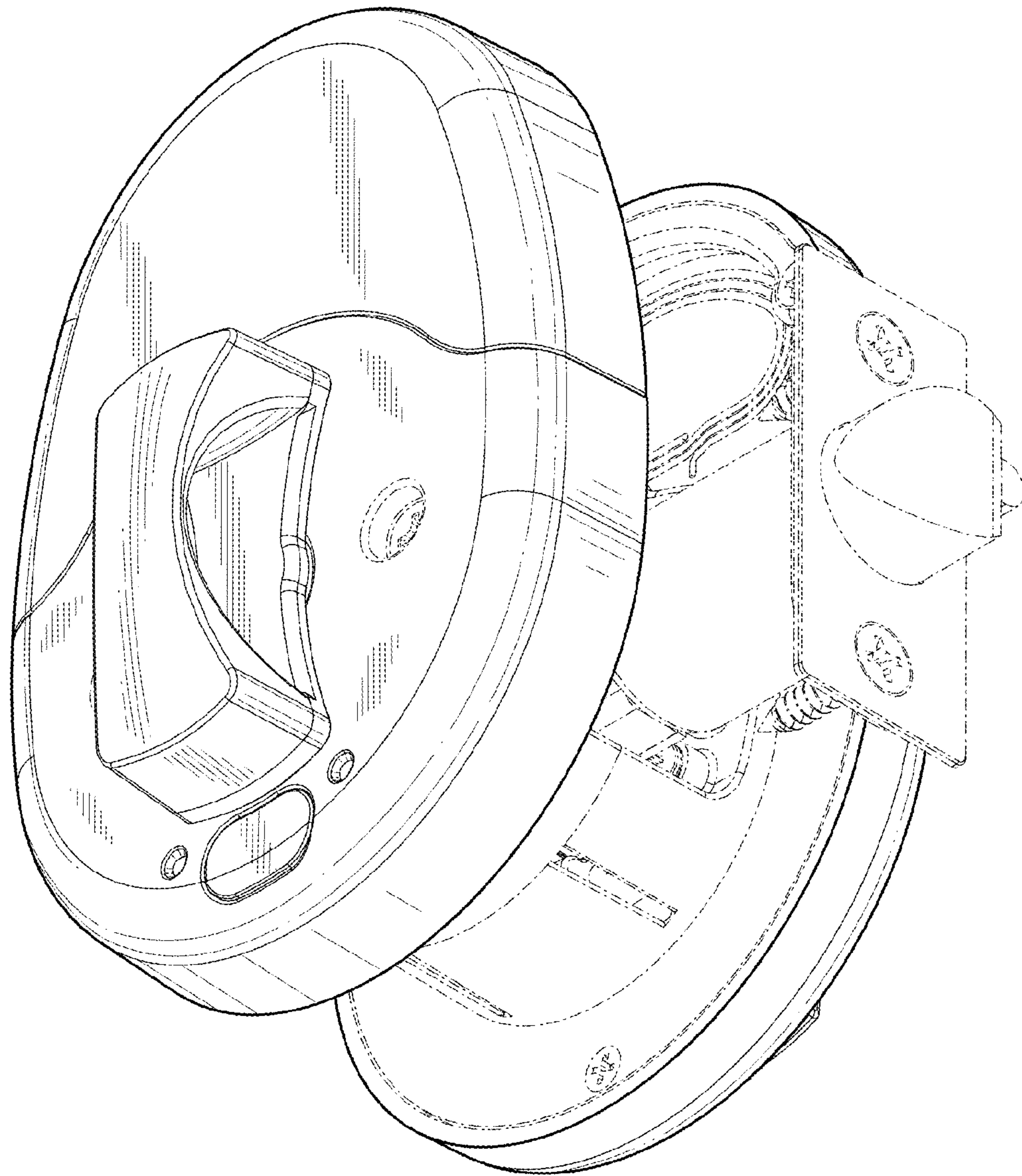


FIG. 2

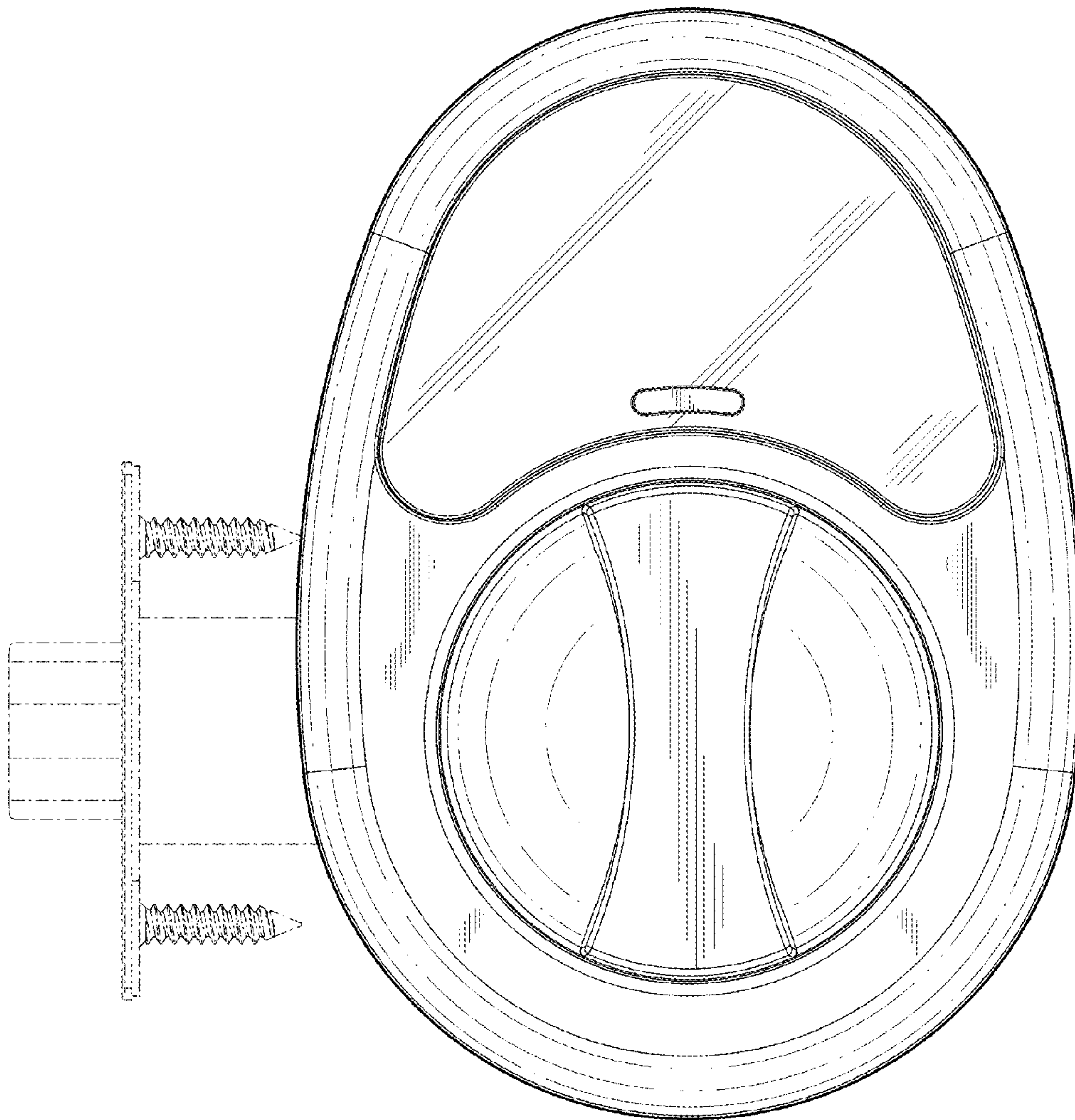


FIG. 3

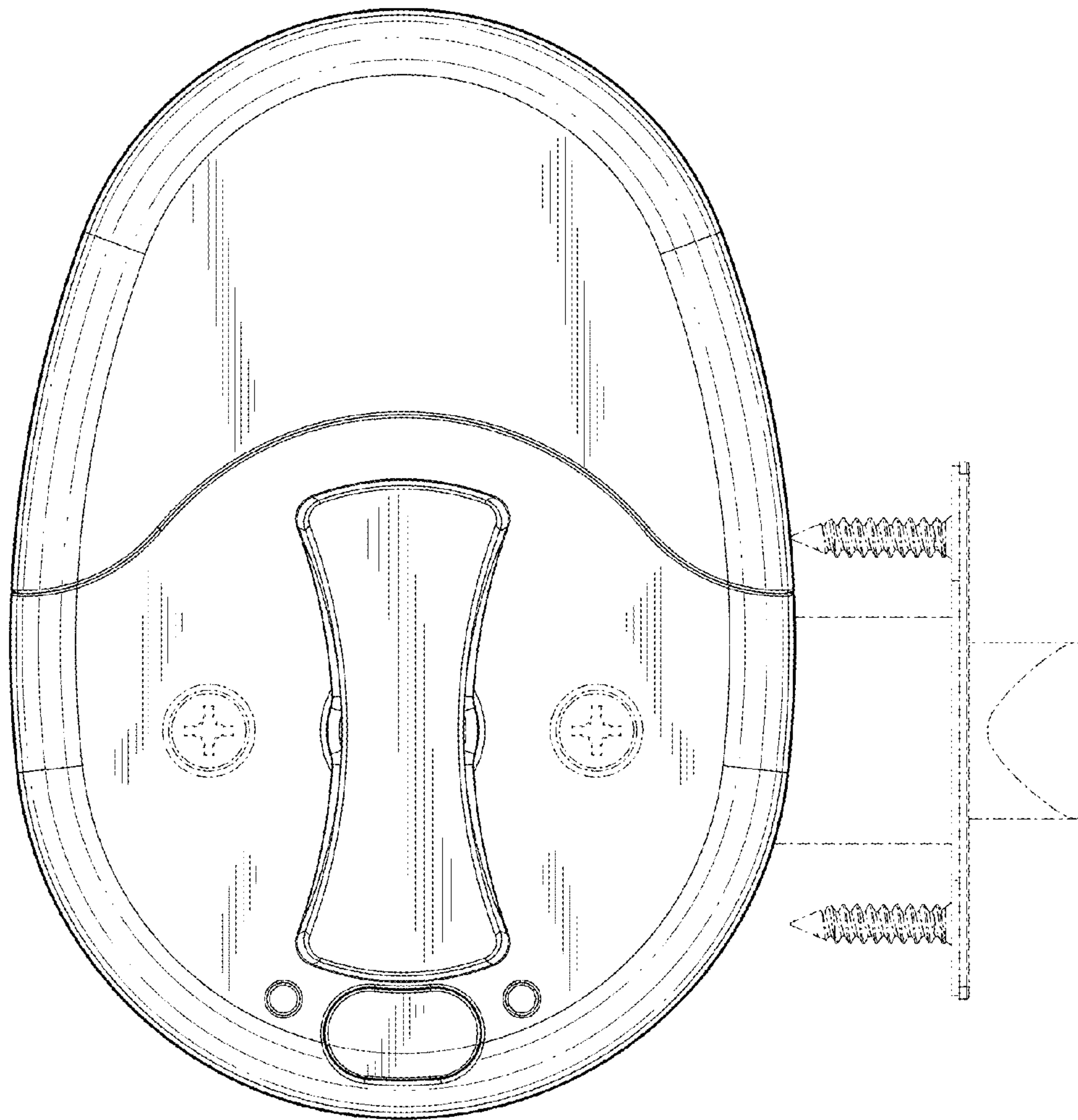


FIG. 4

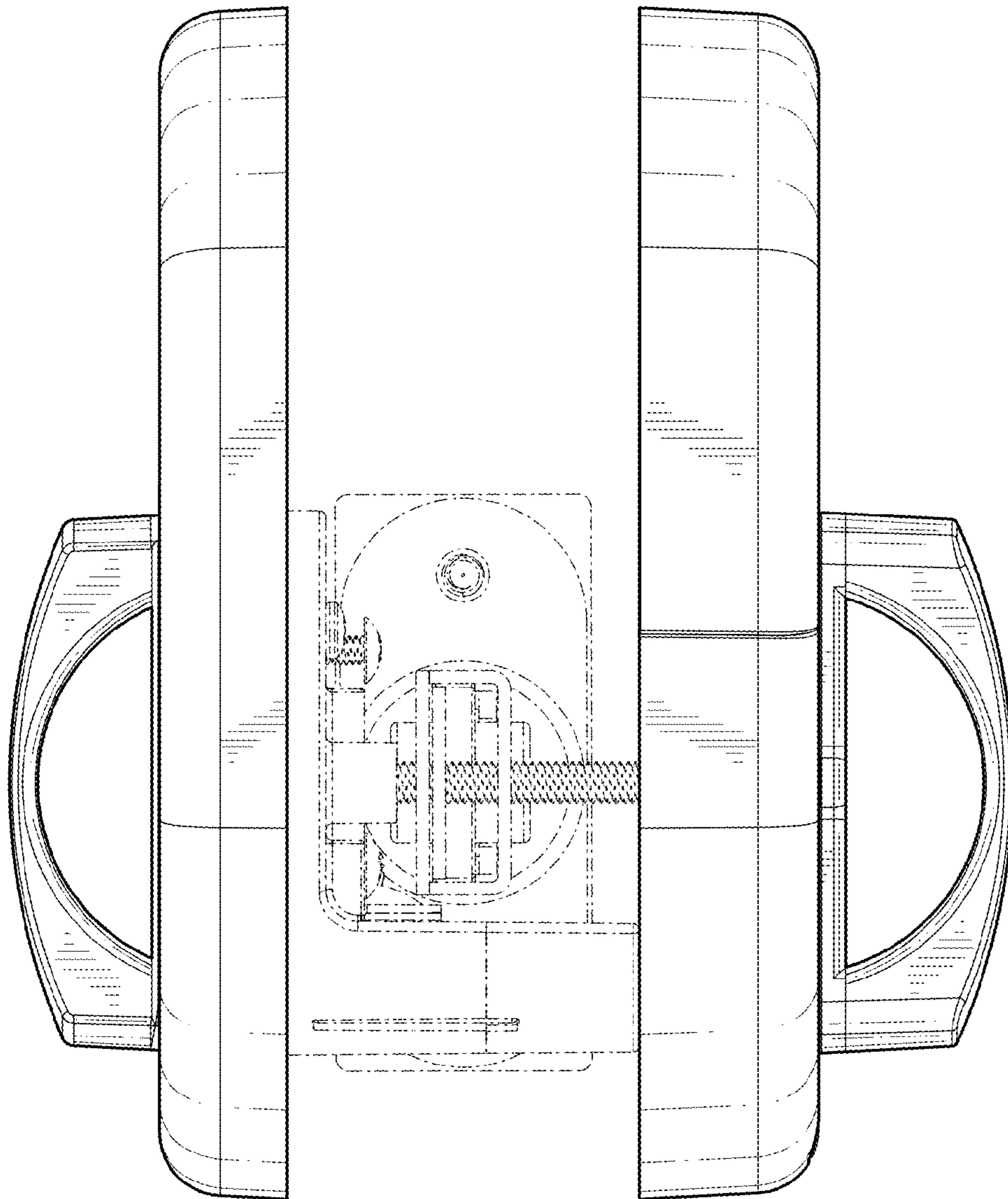


FIG. 5

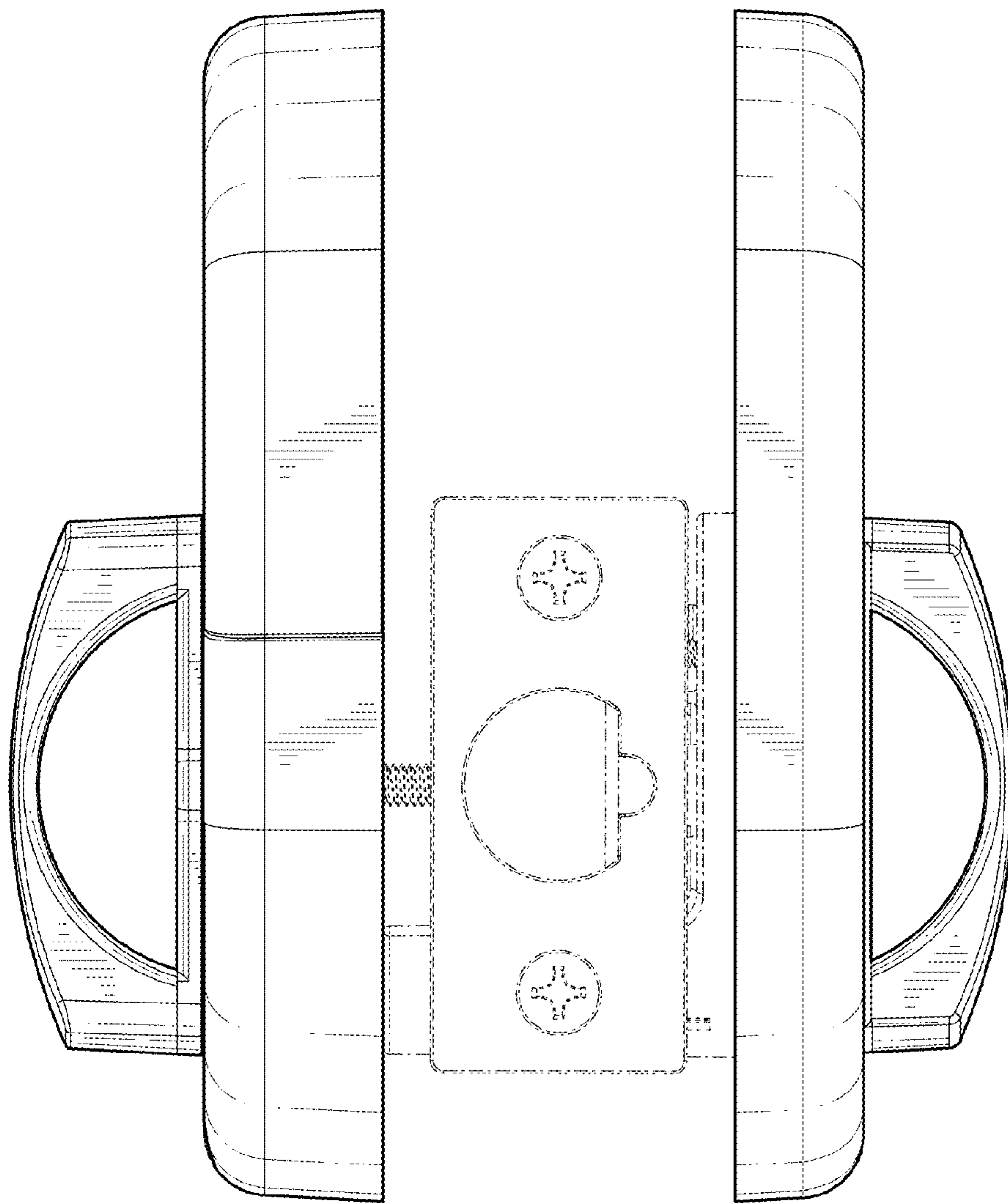


FIG. 6

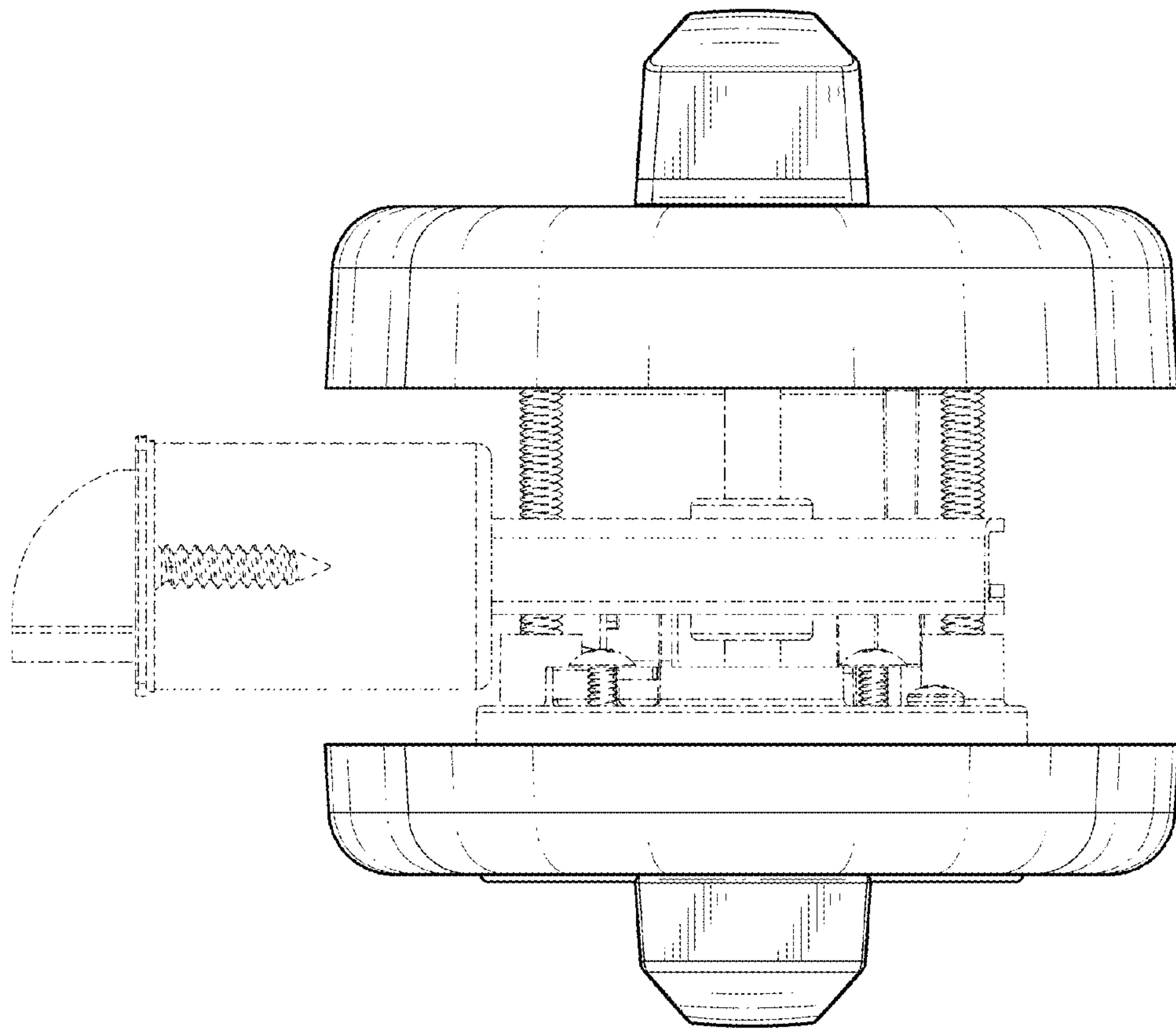


FIG. 7

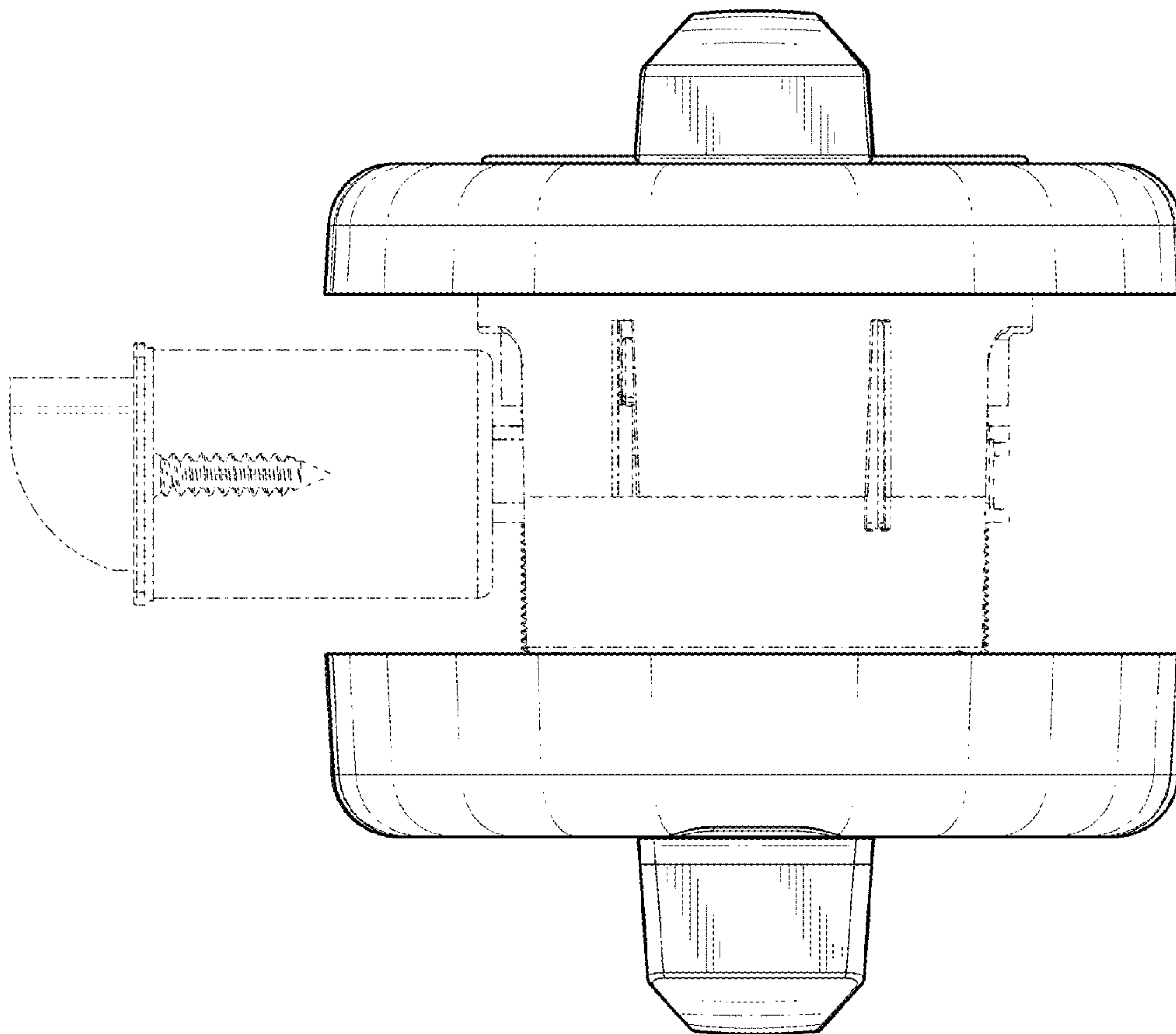


FIG. 8

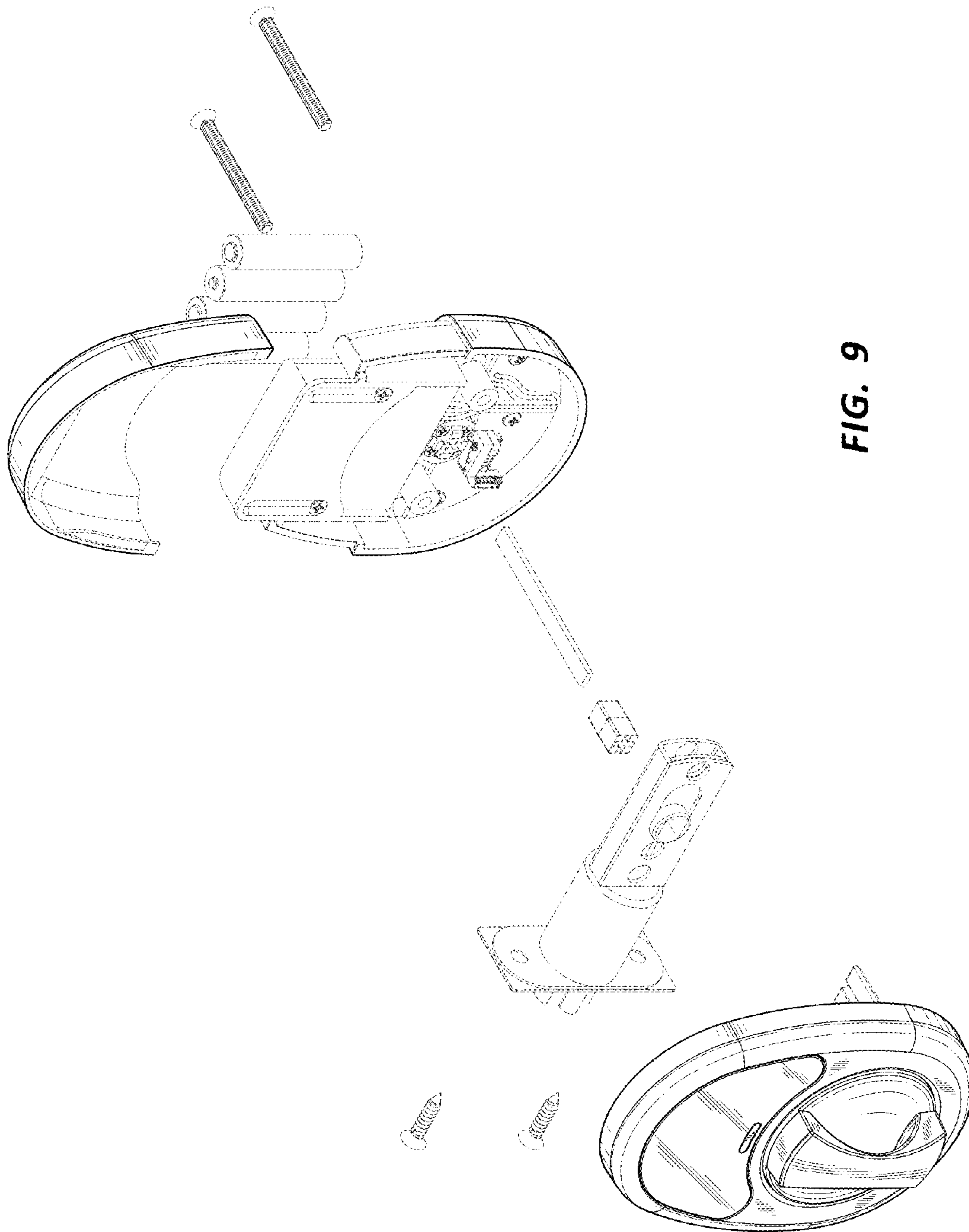


FIG. 9