



US00D766064S

(12) **United States Design Patent**
Yuki

(10) **Patent No.:** **US D766,064 S**
(45) **Date of Patent:** **** Sep. 13, 2016**

- (54) **CABINET KNOB**
- (71) Applicant: **Terrel Yuki**, Yorba Linda, CA (US)
- (72) Inventor: **Terrel Yuki**, Yorba Linda, CA (US)
- (**) Term: **14 Years**
- (21) Appl. No.: **29/516,931**
- (22) Filed: **Feb. 6, 2015**
- (51) **LOC (10) Cl.** **08-06**
- (52) **U.S. Cl.**
USPC **D8/310**
- (58) **Field of Classification Search**
USPC D8/300, 305, 307, 310, 311, 312;
D7/393; D23/250, 254; 16/110.1, 413,
16/414, 415, 417, 422, 441, DIG. 30;
292/336.3, 347; D26/1, 2, 38, 51, 58,
D26/67, 113, 124; 362/145-147, 501, 641,
362/650; 313/110, 112, 315
CPC . Y10T 292/57; Y10T 292/82; Y10T 16/469;
Y10T 16/44; Y10T 16/506; Y10T 292/85;
Y10T 16/458; Y10T 744/2084; Y10T 16/46;
Y10T 16/459; Y10T 74/20732; Y10T 292/03;
Y10T 16/4713; Y10T 16/466; Y10T 292/88;
Y10T 29/49599; Y10T 16/487; Y10T 16/462;
Y10T 16/4636; Y10T 74/20864; Y10T
70/5155; Y10T 16/4559; Y10T 292/0951;
Y10T 292/0891; Y10T 292/0934; Y10T
292/0968; E05B 1/0007; E05B 1/0015;
E05B 79/06; E05B 85/10; E05B 1/0053;
E05B 55/005; E05B 1/00; E05B 85/107;
E05B 3/00; F21Y 2101/02; F21Y 2103/025;
F21Y 2103/02; F21Y 2111/001; F21S 8/033;
F21S 4/008; F21S 8/00; F21S 8/036
See application file for complete search history.

(56) **References Cited**

U.S. PATENT DOCUMENTS

- 1,425,967 A * 8/1922 Hoffman G02B 5/28
250/504 R
- 1,548,197 A * 8/1925 Kendall B60Q 3/024
16/DIG. 30
- 1,569,216 A * 1/1926 Dake H01K 1/14
313/279

- 1,679,894 A * 8/1928 Bucky H01J 35/18
220/2.3 R
- 1,705,069 A * 3/1929 Saurman E05B 17/106
16/DIG. 30
- 2,066,877 A * 1/1937 Cruver G09F 23/06
16/441
- 2,080,656 A * 5/1937 De Vries A47B 95/02
16/414
- D303,296 S * 9/1989 Arts D26/67
- D306,552 S * 3/1990 Paul D8/301
- D385,366 S * 10/1997 Paulmann D26/2
- D418,388 S * 1/2000 O'Neil D8/310
- D485,379 S * 1/2004 Stekelenburg D26/2
- 7,178,842 B2 * 2/2007 Wheatland E05B 1/0007
292/169.18
- 8,303,158 B2 * 11/2012 Chien G09F 9/33
362/249.02
- 8,398,266 B2 * 3/2013 Wang F21V 3/00
362/249.02
- 8,733,969 B2 * 5/2014 Bryan F21K 9/135
257/88
- 2004/0035240 A1 * 2/2004 Shu G05G 1/06
74/523
- 2015/0192254 A1 * 7/2015 Moon F21K 9/1355
362/650
- 2015/0323139 A1 * 11/2015 Tseng F21K 9/135
362/650

* cited by examiner

Primary Examiner — Derrick Holland
Assistant Examiner — Lauren Calve
(74) *Attorney, Agent, or Firm* — Rutan & Tucker LLP; Hani Z. Sayed

(57) **CLAIM**

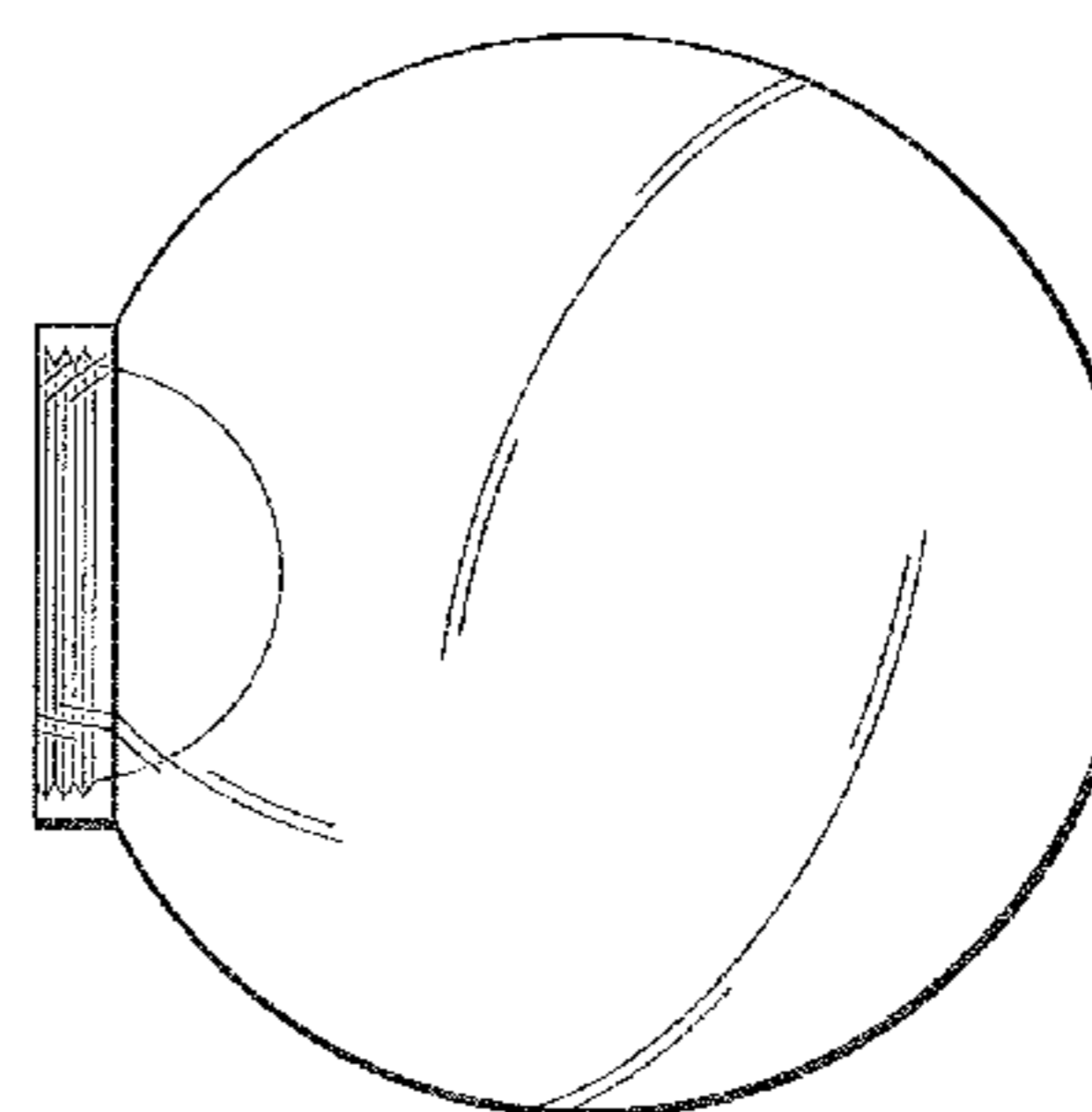
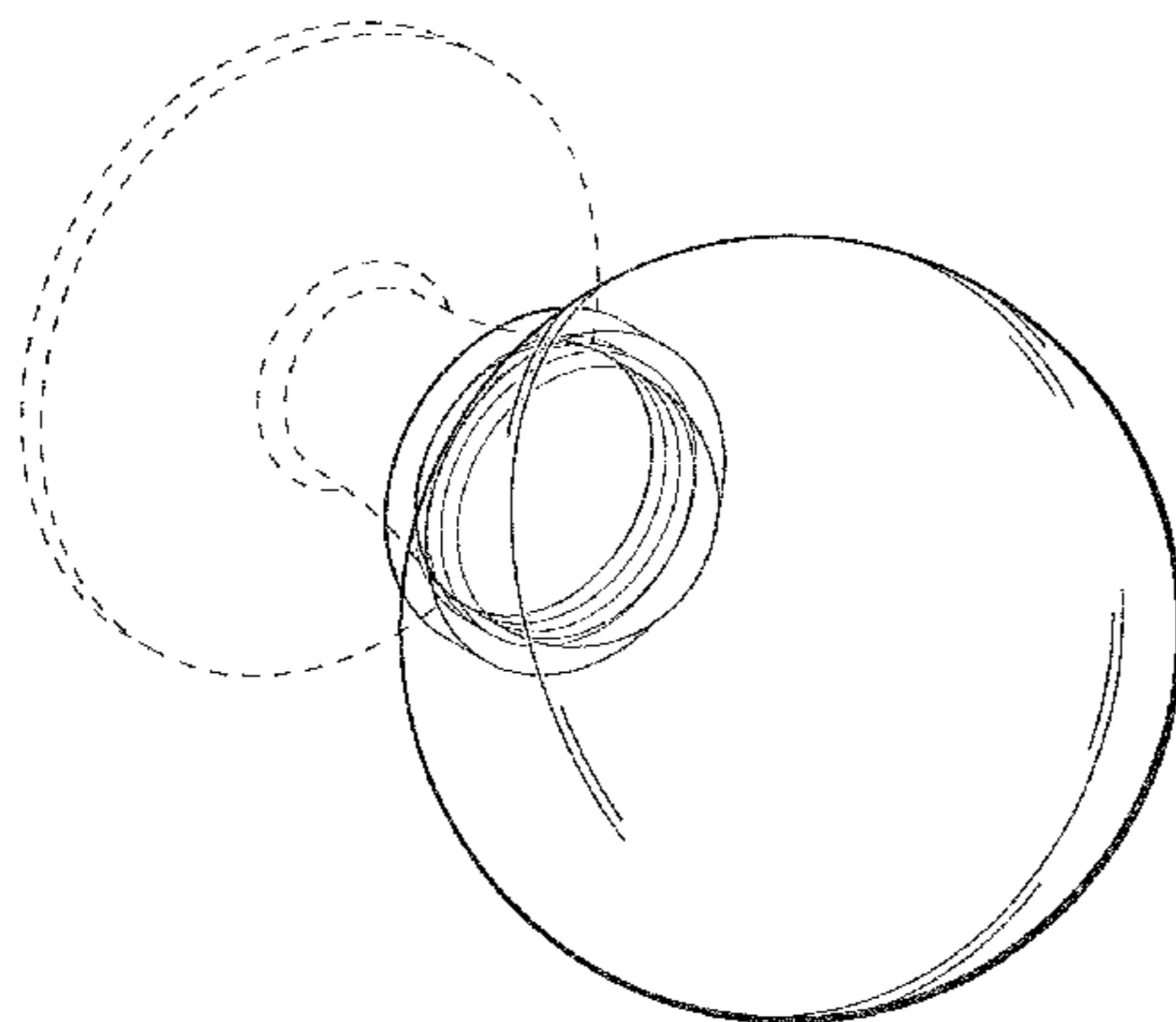
The ornamental design for an cabinet knob, as shown and described.

DESCRIPTION

FIG. 1 is a top, front, left side perspective view of a cabinet knob of the present invention;
FIG. 2 is a left side elevation view, the right side, top plan and bottom plan view being identical;
FIG. 3 is a front elevation view;
FIG. 4 is a rear elevation view; and,
FIG. 5 is a cross-sectional view, taken along line 5-5 of FIG. 4.

The broken lines shown represent unclaimed subject matter and form no part of the claimed design.

1 Claim, 2 Drawing Sheets



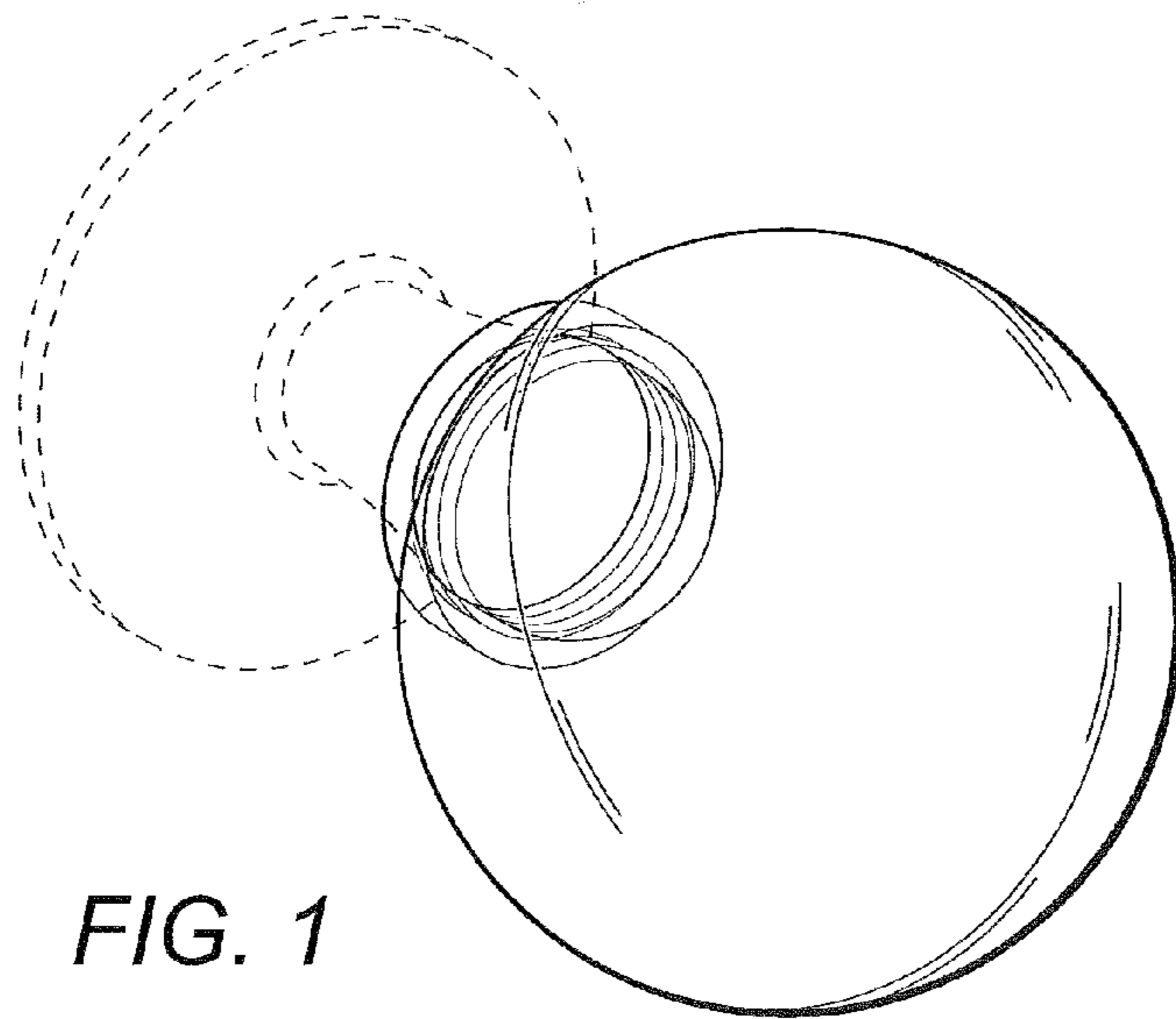


FIG. 1

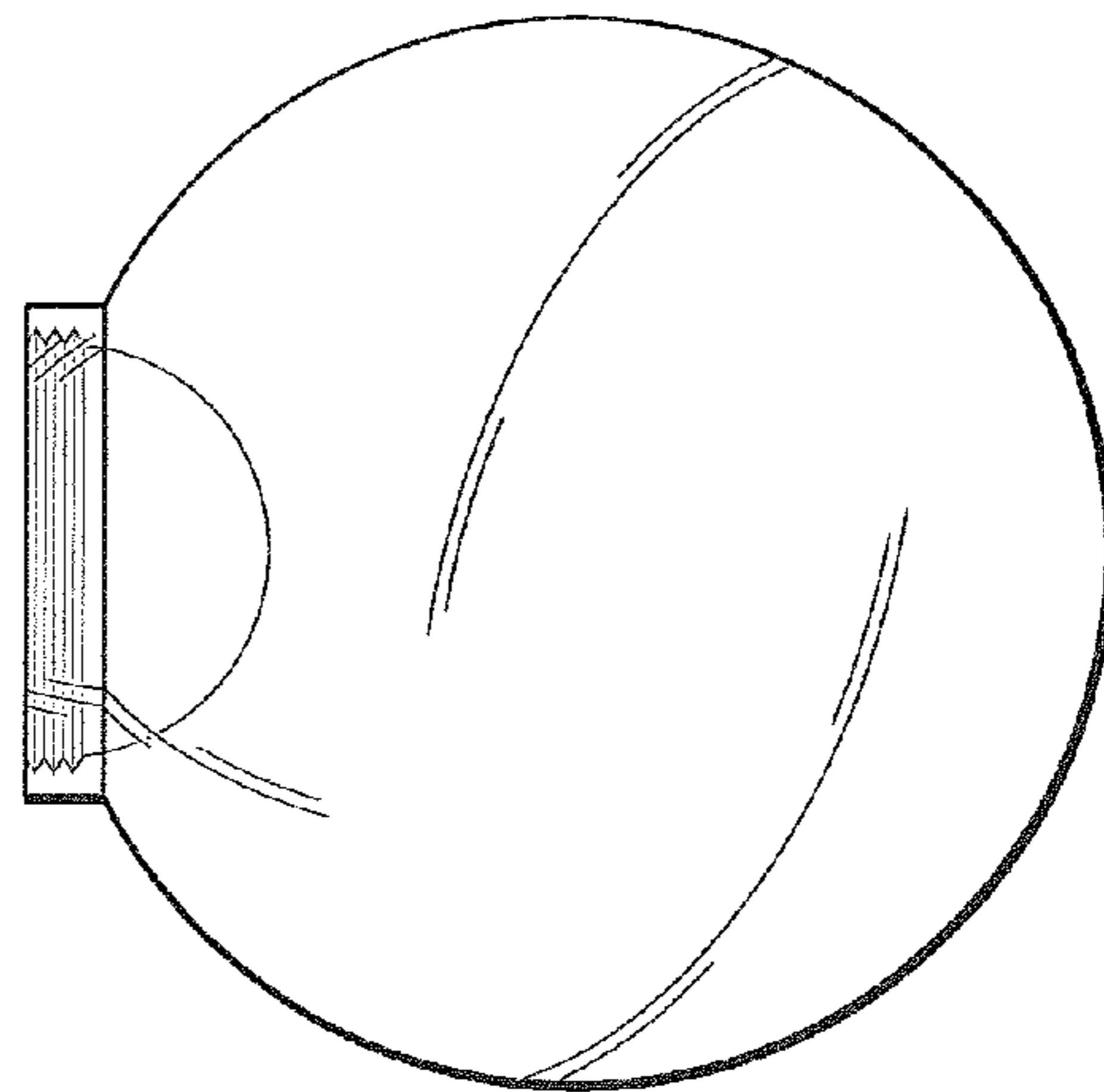


FIG. 2

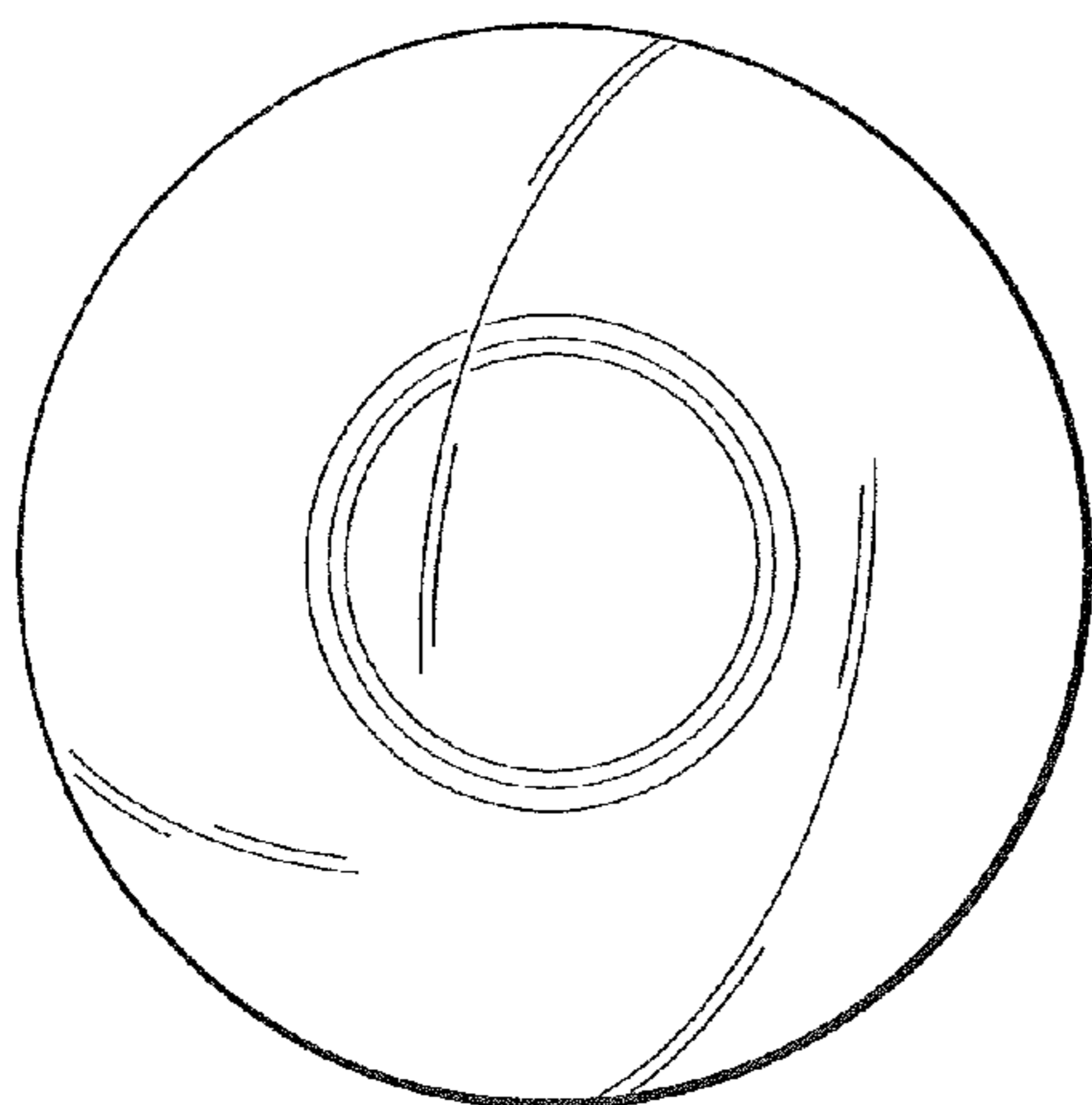


FIG. 3

"A" = Outer Diameter
"B" = Depth of threads, seen through
transparent material in Fig. 4
"C" = Inner Diameter of Concave Recess

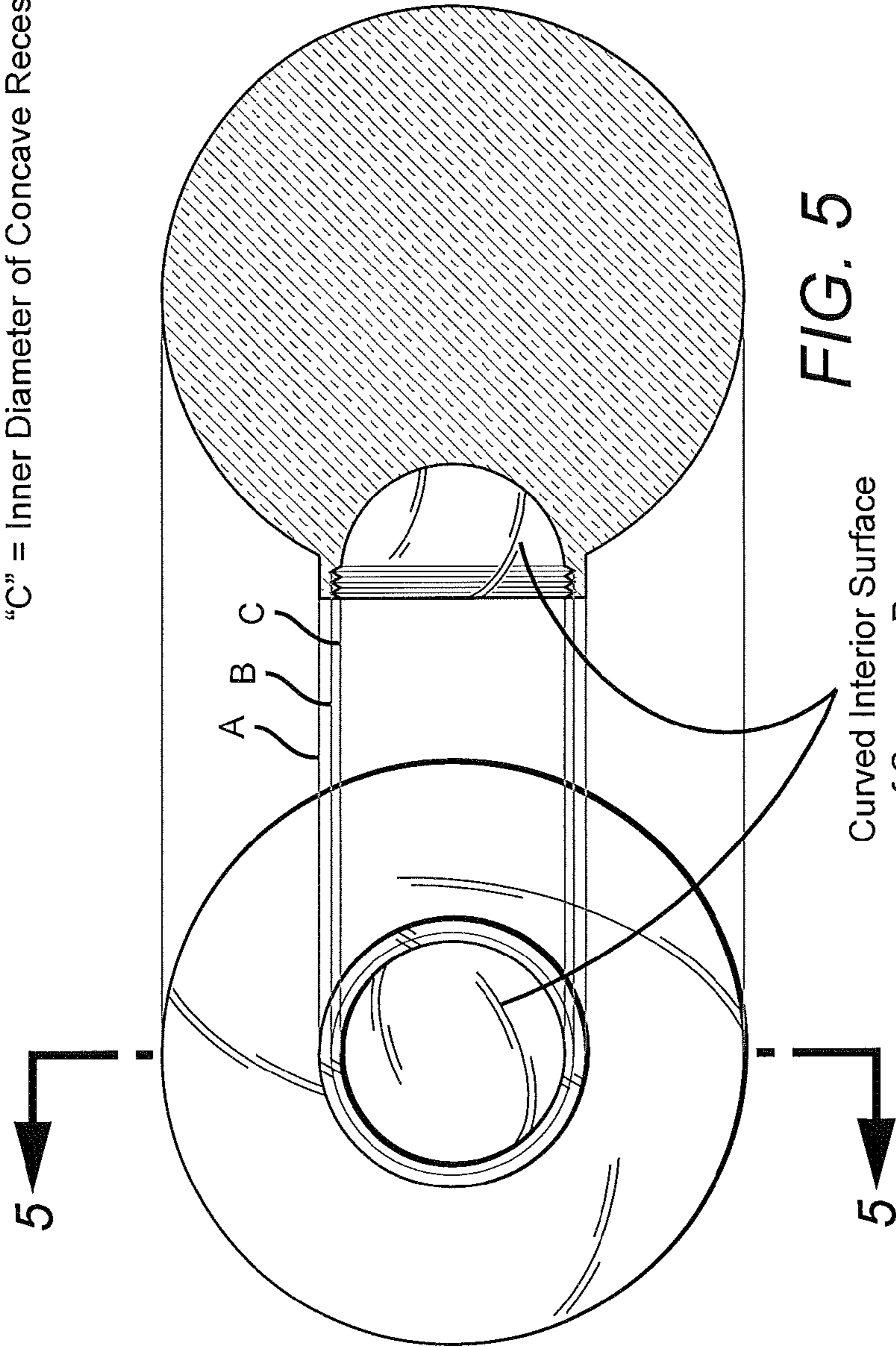


FIG. 5

FIG. 4

Curved Interior Surface
of Concave Recess
Shaded for Transparency