



US00D766063S

(12) **United States Design Patent** (10) **Patent No.:** **US D766,063 S**  
**Yuki** (45) **Date of Patent:** **\*\* Sep. 13, 2016**

(54) **CABINET KNOB**  
(71) Applicant: **Terrel Yuki**, Yorba Linda, CA (US)  
(72) Inventor: **Terrel Yuki**, Yorba Linda, CA (US)  
(\*\*) Term: **14 Years**  
(21) Appl. No.: **29/516,930**  
(22) Filed: **Feb. 6, 2015**  
(51) **LOC (10) Cl.** ..... **08-06**  
(52) **U.S. Cl.**  
USPC ..... **D8/310**  
(58) **Field of Classification Search**  
USPC ..... D8/300, 305, 307, 310, 311, 312;  
D7/393; D23/250, 254; 16/110.1, 413,  
16/414, 415, 417, 422, 441, DIG. 30;  
292/336.3, 347; D26/1, 2, 38, 51, 58,  
D26/67, 113, 124; 362/145-147, 501, 641,  
362/650; 313/110, 112, 315  
CPC . Y10T 292/57; Y10T 292/82; Y10T 16/469;  
Y10T 16/44; Y10T 16/506; Y10T 292/85;  
Y10T 16/458; Y10T 74/2084; Y10T 16/46;  
Y10T 16/459; Y10T 74/20732; Y10T 292/03;  
Y10T 16/4713; Y10T 16/466; Y10T 292/88;  
Y10T 29/49599; Y10T 16/487; Y10T 16/462;  
Y10T 16/4636; Y10T 74/20864; Y10T  
70/5155; Y10T 16/4559; Y10T 292/0951;  
Y10T 292/0891; Y10T 292/0934; Y10T  
292/0968; E05B 1/0007; E05B 1/0015;  
E05B 79/06; E05B 85/10; E05B 1/0053;  
E05B 55/005; E05B 1/00; E05B 85/107;  
E05B 3/00; F21Y 2101/02; F21Y 2103/025;  
F21Y 2103/02; F21Y 2111/001; F21S 8/033;  
F21S 4/008; F21S 8/00; F21S 8/036  
See application file for complete search history.

(56) **References Cited**  
U.S. PATENT DOCUMENTS

D19,213 S \* 7/1889 Creteau ..... D12/179  
627,802 A \* 6/1899 Chesson ..... E05B 1/0007  
29/896.5

2,529,009 A \* 11/1950 Foss ..... E05C 3/042  
16/441  
2,909,696 A \* 10/1959 Cooper, Jr. .... H01K 1/32  
313/113  
D219,422 S \* 12/1970 Tegner ..... D8/310  
D226,894 S \* 5/1973 Tegner ..... D8/310  
D300,902 S \* 5/1989 Kohler, Jr. .... D23/250  
D310,268 S \* 8/1990 Shalvi ..... D26/67  
5,701,635 A \* 12/1997 Hawkes ..... E05B 1/0061  
16/421  
D390,087 S \* 2/1998 Ebbersten ..... D8/308  
D390,999 S \* 2/1998 Gaskins ..... D26/67  
D465,599 S \* 11/2002 Thompson ..... D26/89  
7,427,194 B1 \* 9/2008 Lopez ..... A47J 43/282  
285/317  
D601,402 S \* 10/2009 Jackson ..... D8/310  
8,210,735 B2 \* 7/2012 Choi ..... F21K 9/137  
362/264  
8,272,762 B2 \* 9/2012 Maxik ..... F21K 9/1355  
362/249.02  
D691,322 S \* 10/2013 Tang ..... D26/124  
2011/0241518 A1 \* 10/2011 Destain ..... H01L 33/58  
313/110

\* cited by examiner

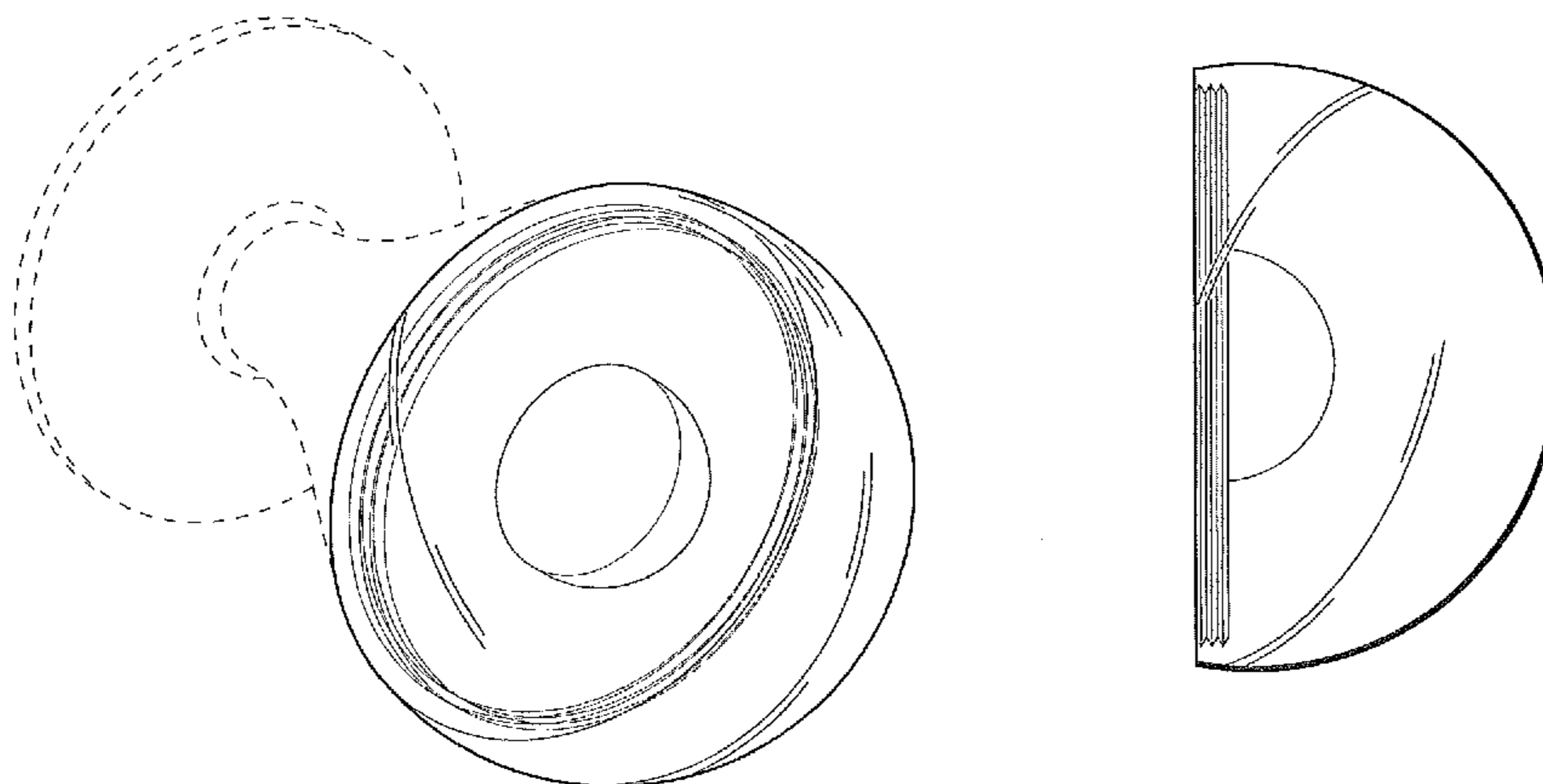
*Primary Examiner* — Derrick Holland  
*Assistant Examiner* — Lauren Calve  
(74) *Attorney, Agent, or Firm* — Rutan & Tucker LLP; Hani  
Z. Sayed

(57) **CLAIM**  
The ornamental design for an cabinet knob, as shown and  
described.

**DESCRIPTION**

FIG. 1 is a top, front, left side perspective view of a cabinet  
knob of the present invention;  
FIG. 2 is a left side elevation view, the right side, top plan  
and bottom plan view being identical;  
FIG. 3 is a front elevation view;  
FIG. 4 is a rear elevation view; and,  
FIG. 5 is a cross-sectional view, taken along line 5-5 of FIG.  
4.  
The broken lines represent unclaimed subject matter and  
form no part of the claimed design.

**1 Claim, 2 Drawing Sheets**



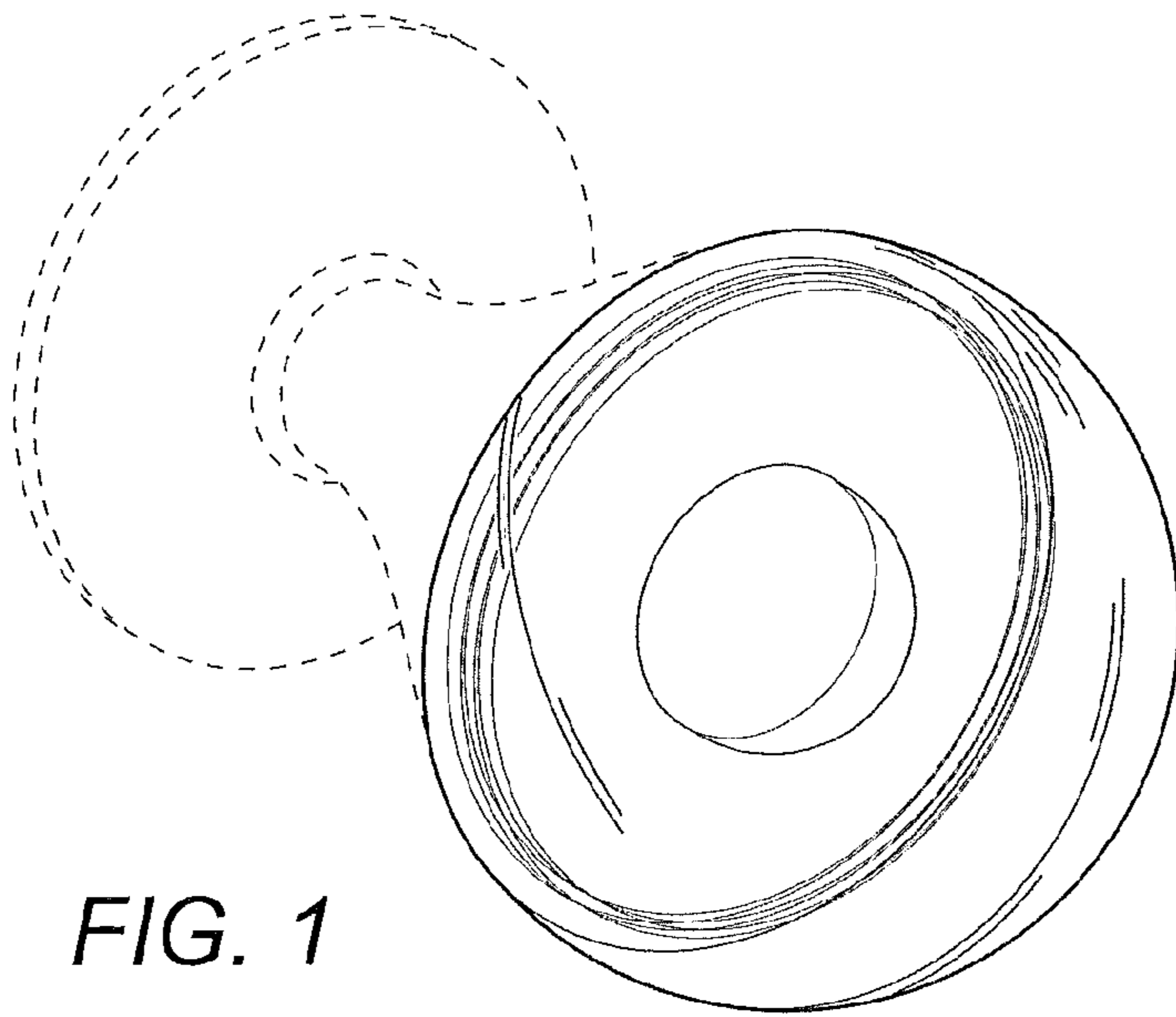


FIG. 1

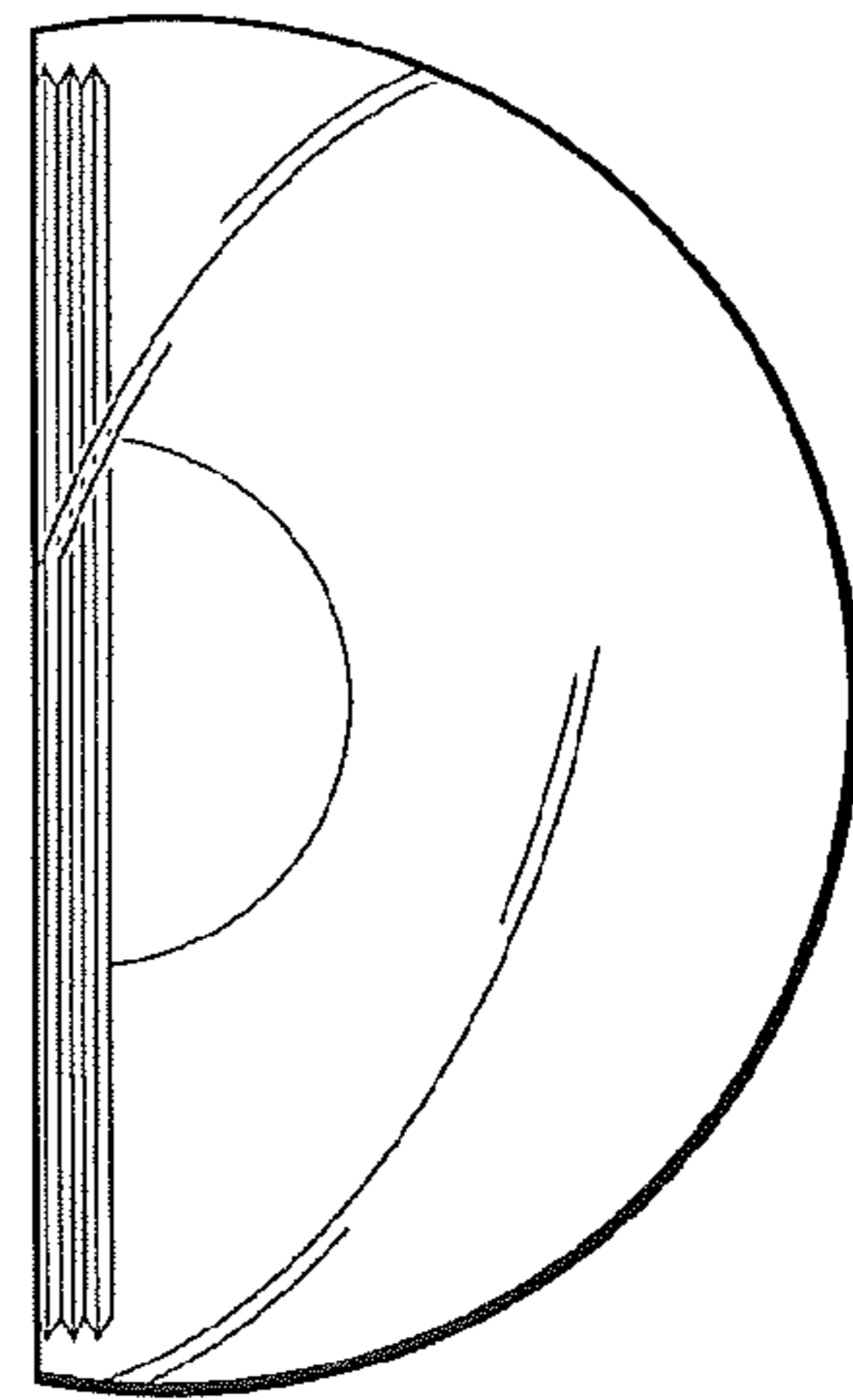


FIG. 2

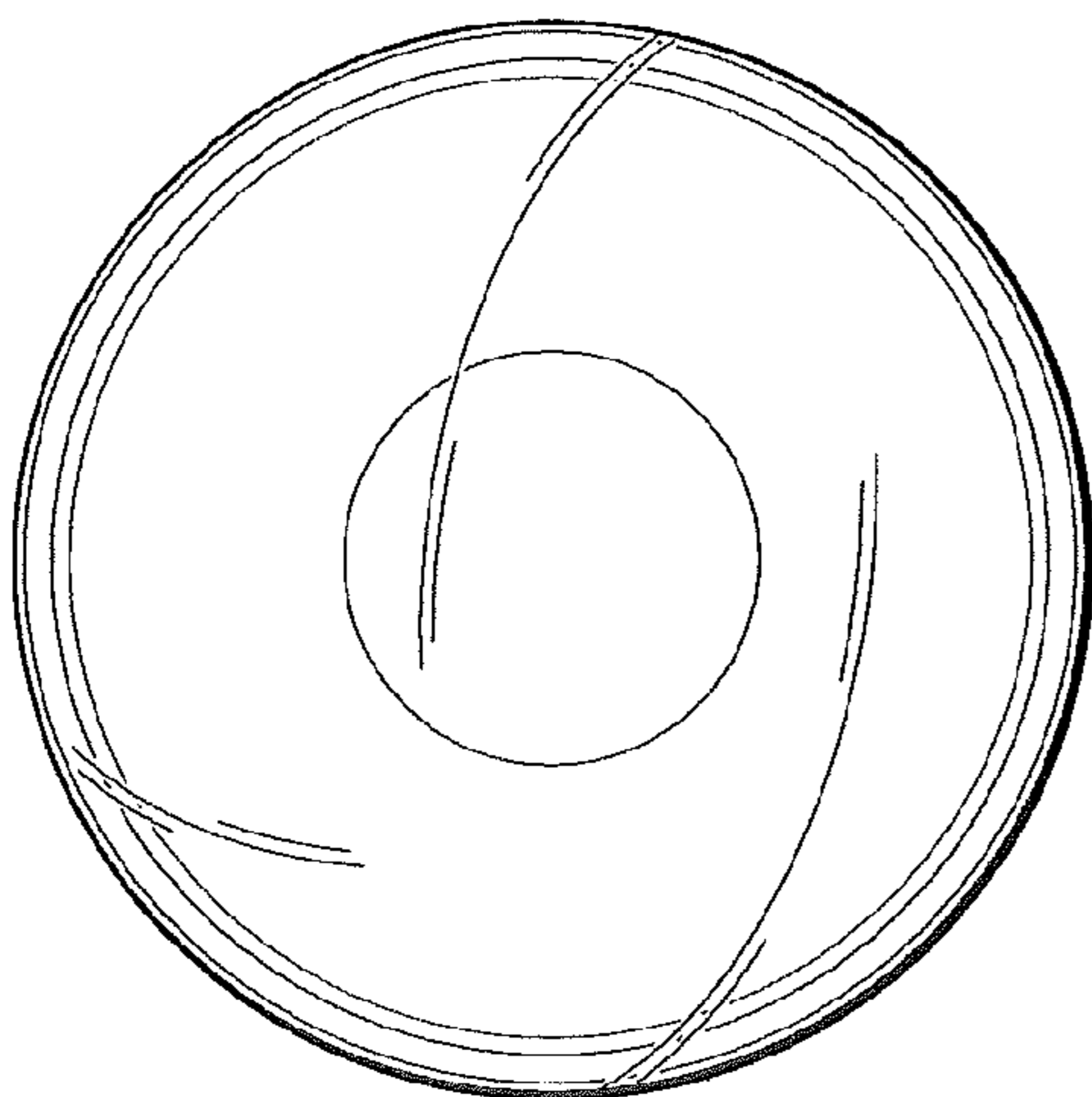


FIG. 3

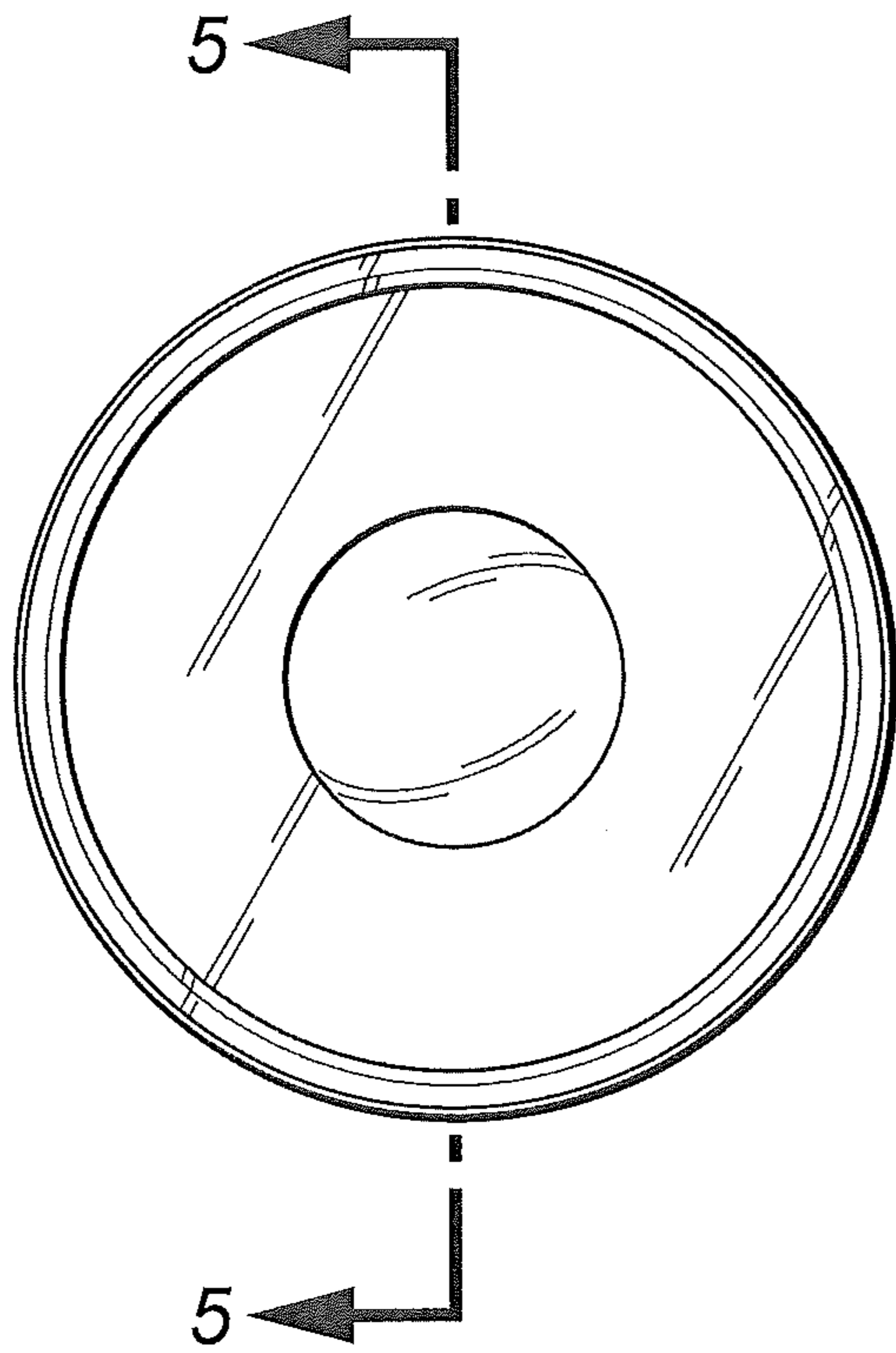


FIG. 4

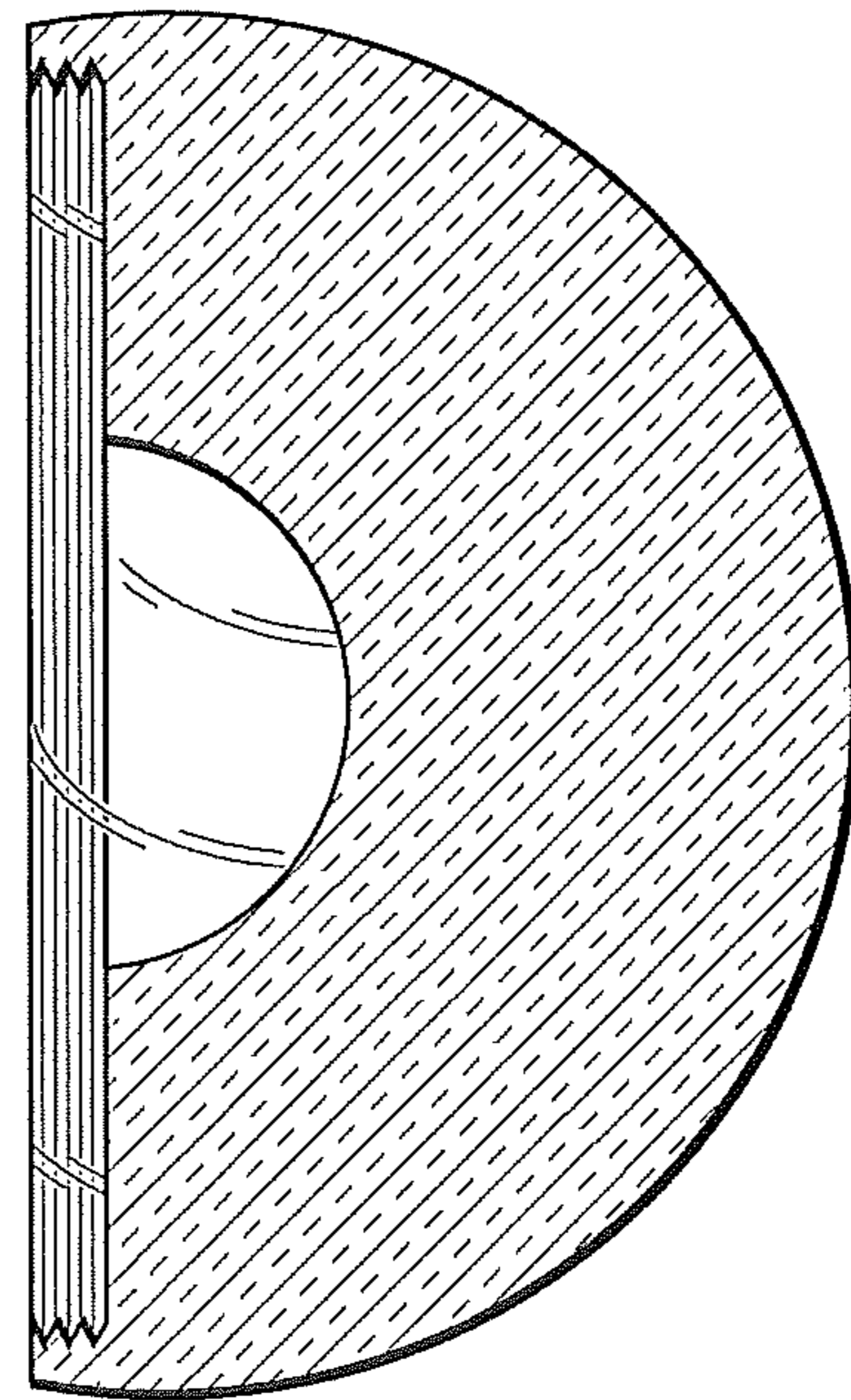


FIG. 5