



US00D766058S

(12) **United States Design Patent**  
**Moreau et al.**

(10) **Patent No.:** **US D766,058 S**  
(45) **Date of Patent:** **\*\* Sep. 13, 2016**

(54) **TOOL COLLET FOR SECURING A HAND TOOL TO A TOOL LANYARD**

(71) Applicant: **Ty-Flot, Inc.**, Manchester, NH (US)

(72) Inventors: **Darrell A. Moreau**, Manchester, NH (US); **Andre W. Moreau**, Bedford, MN (US)

(73) Assignee: **Ty-Flot, Inc.**, Manchester, NH (US)

(\*\*) Term: **14 Years**

(21) Appl. No.: **29/508,591**

(22) Filed: **Nov. 7, 2014**

(51) **LOC (10) Cl.** ..... **08-05**

(52) **U.S. Cl.**  
USPC ..... **D8/71**

(58) **Field of Classification Search**  
USPC ..... D8/14.1, 64, 66, 70, 71, 72, 73, 74, 107, D8/349, 354, 373; D15/130, 132, 138, D15/139, 140, 141; D7/393, 401.2, 642; D9/434, 435, 436, 446, 454, 499; D21/756; 33/474, 533, 613; 81/177.1, 81/177.4, 437, 438, 439, 490; 82/161; 83/581, 760, 762, 763, 764, 766; 142/48, 49, 55; 211/60.1, 70.6; 248/80, 248/153, 175, 176.1, 201, 304, 309.1, 312, 248/312.1, 315, 316.8; 269/41, 42, 283; 16/110.1  
CPC ..... F16L 21/065  
See application file for complete search history.

(56) **References Cited**

**U.S. PATENT DOCUMENTS**

6,216,319 B1 4/2001 Elkins  
D516,417 S \* 3/2006 Gimpel ..... D8/396

7,540,540 B2 \* 6/2009 Kwon ..... F16L 21/065 285/411  
D636,790 S \* 4/2011 Brooks ..... D15/5  
D664,839 S \* 8/2012 Bonhag ..... D8/396  
2007/0257488 A1 \* 11/2007 Jimenez ..... F16L 25/065 285/404  
2009/0276979 A1 11/2009 Kauffman et al.  
2010/0229347 A1 9/2010 Kish

**OTHER PUBLICATIONS**

Webpage of Python Safety ([www.pythonsafety.com/product-groups/attachment-points/](http://www.pythonsafety.com/product-groups/attachment-points/)) printed Nov. 7, 2014.

\* cited by examiner

*Primary Examiner* — Lakiya Rogers

*Assistant Examiner* — Harold Blackwell, II

(74) *Attorney, Agent, or Firm* — Robert R. Deleault, Esq.; Mesmer & Deleault, PLLC

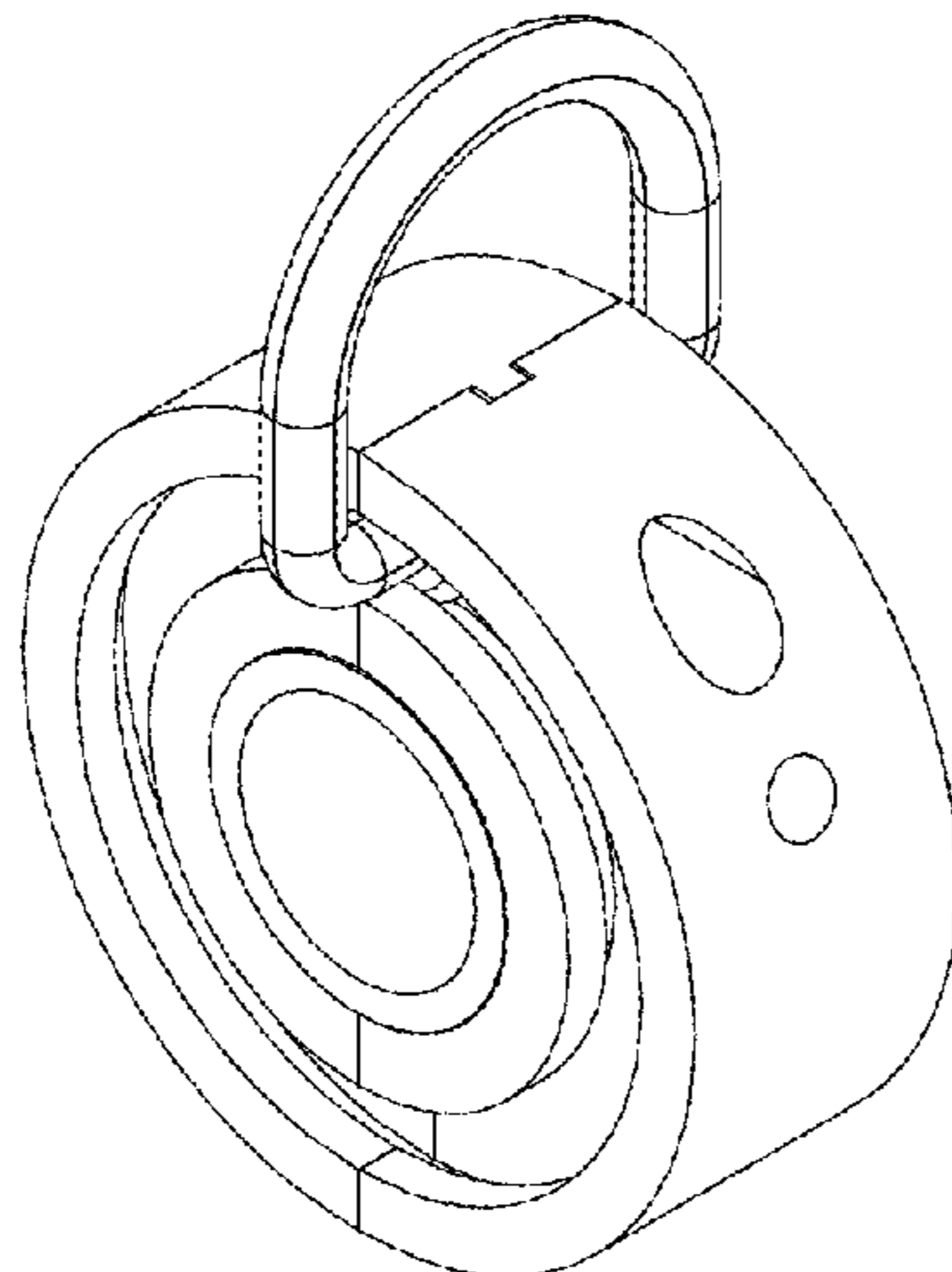
(57) **CLAIM**

The ornamental design for a tool collet for securing a hand tool to a tool lanyard, as shown and described.

**DESCRIPTION**

FIG. 1 is a perspective view of a tool collet for securing a hand tool to a tool lanyard showing our new design; FIG. 2 is a right side view thereof; FIG. 3 is a left side view thereof; and FIG. 4 is a front view thereof; FIG. 5 is a back view thereof; FIG. 6 is a top view thereof; FIG. 7 is a bottom view thereof; FIG. 8 is an exploded, perspective view thereof; and, FIG. 9 is a perspective view thereof shown installed on a portion of a hand tool, where the hand tool illustrated in broken lines is shown for the purpose of illustrating environment and form no part of the claimed design.

**1 Claim, 3 Drawing Sheets**



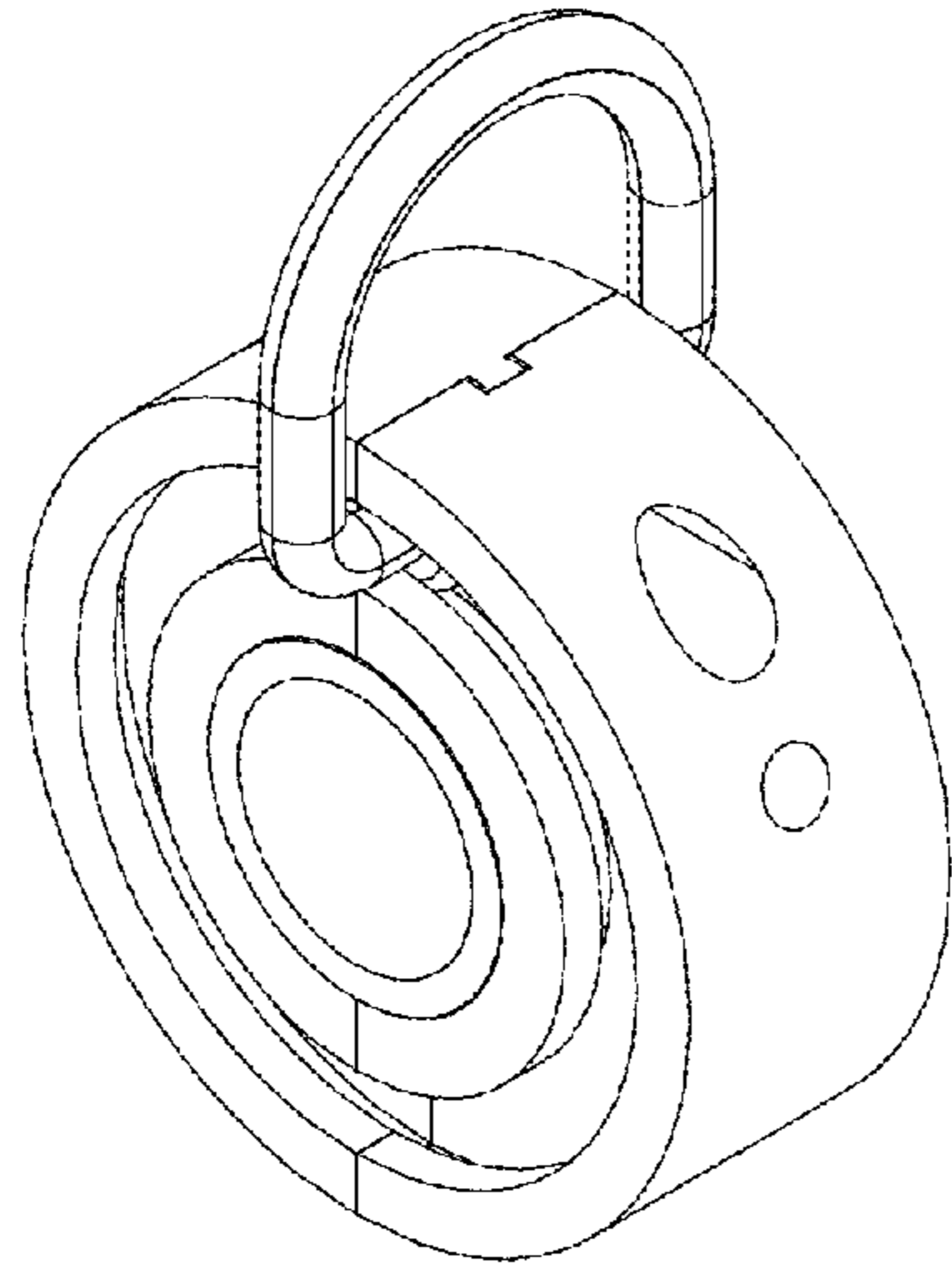


Fig. 1

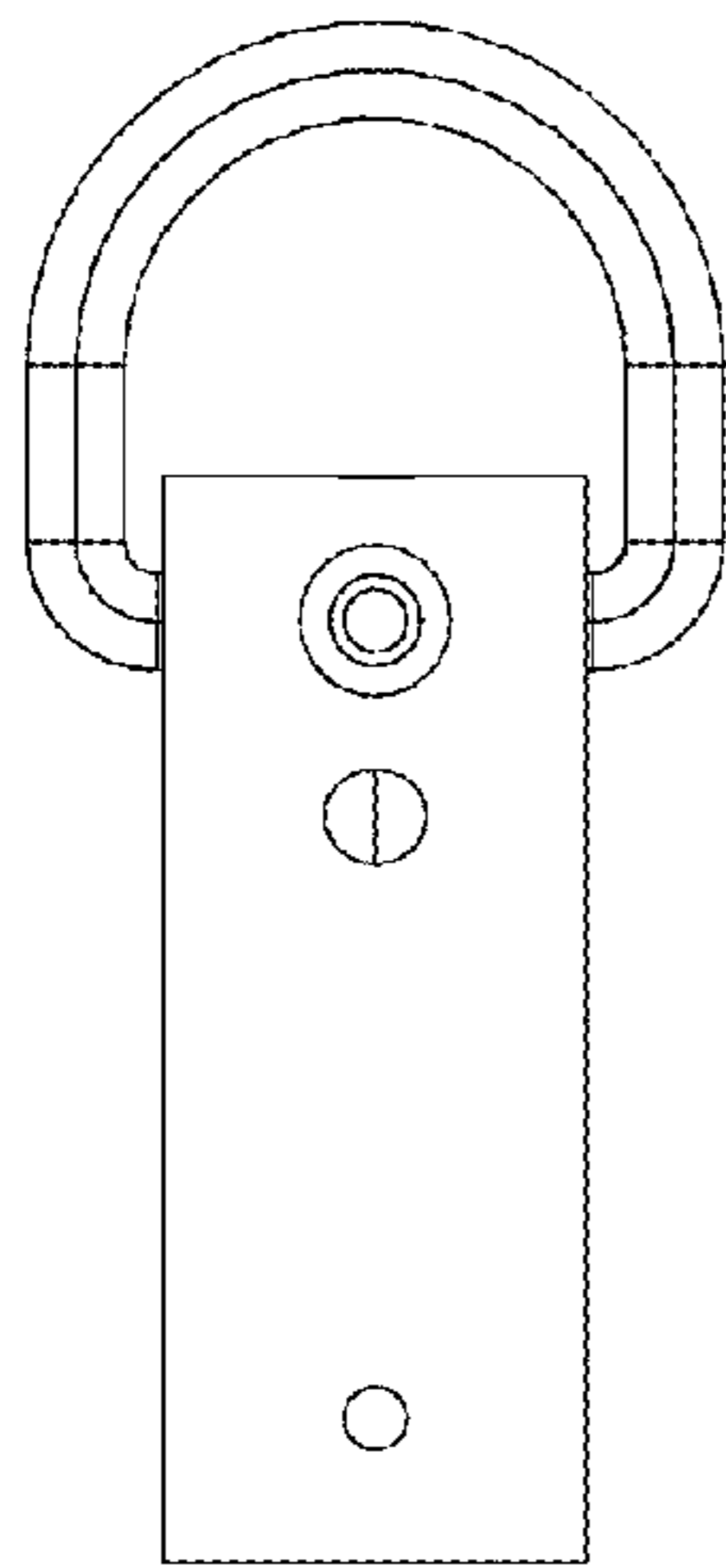


Fig. 2

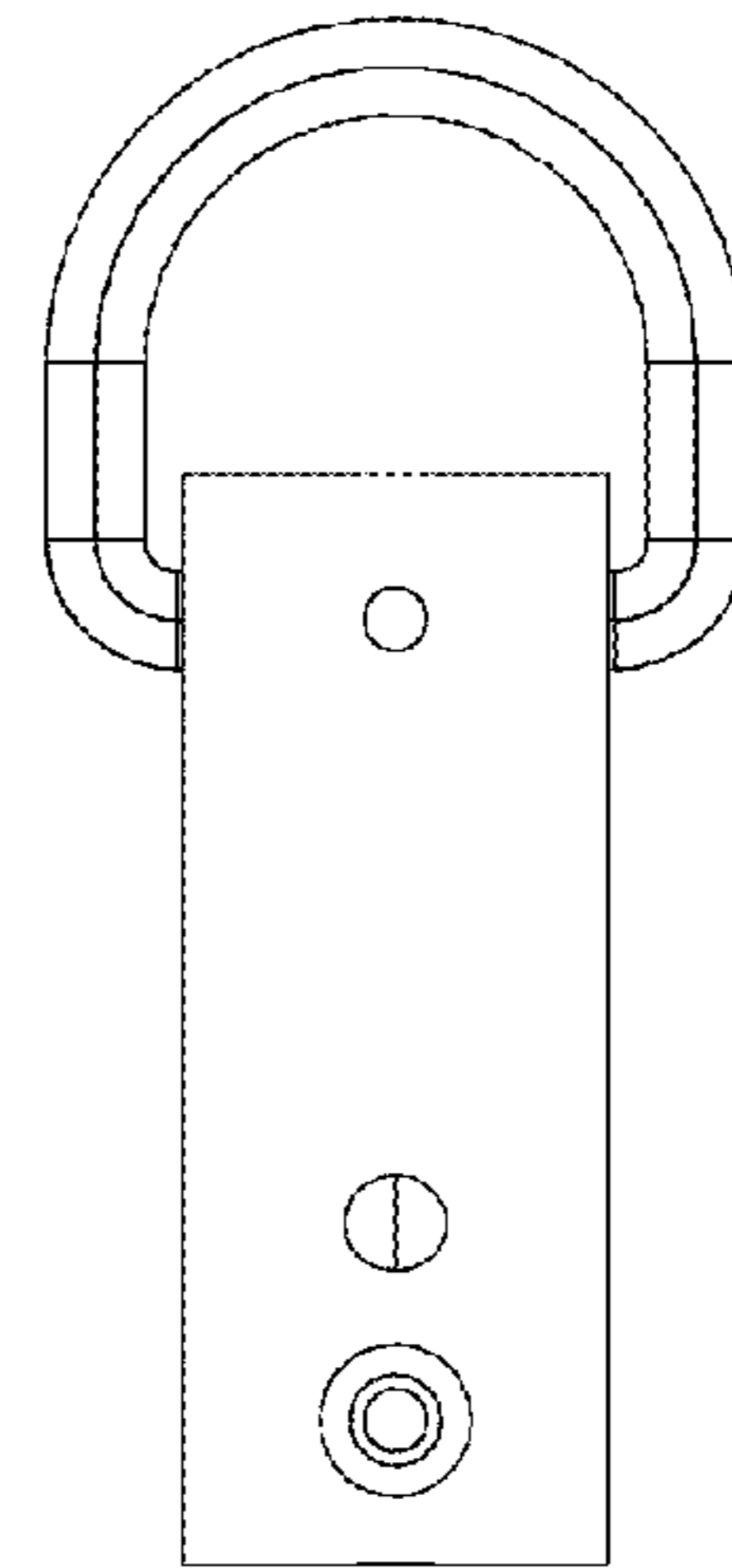


Fig. 3

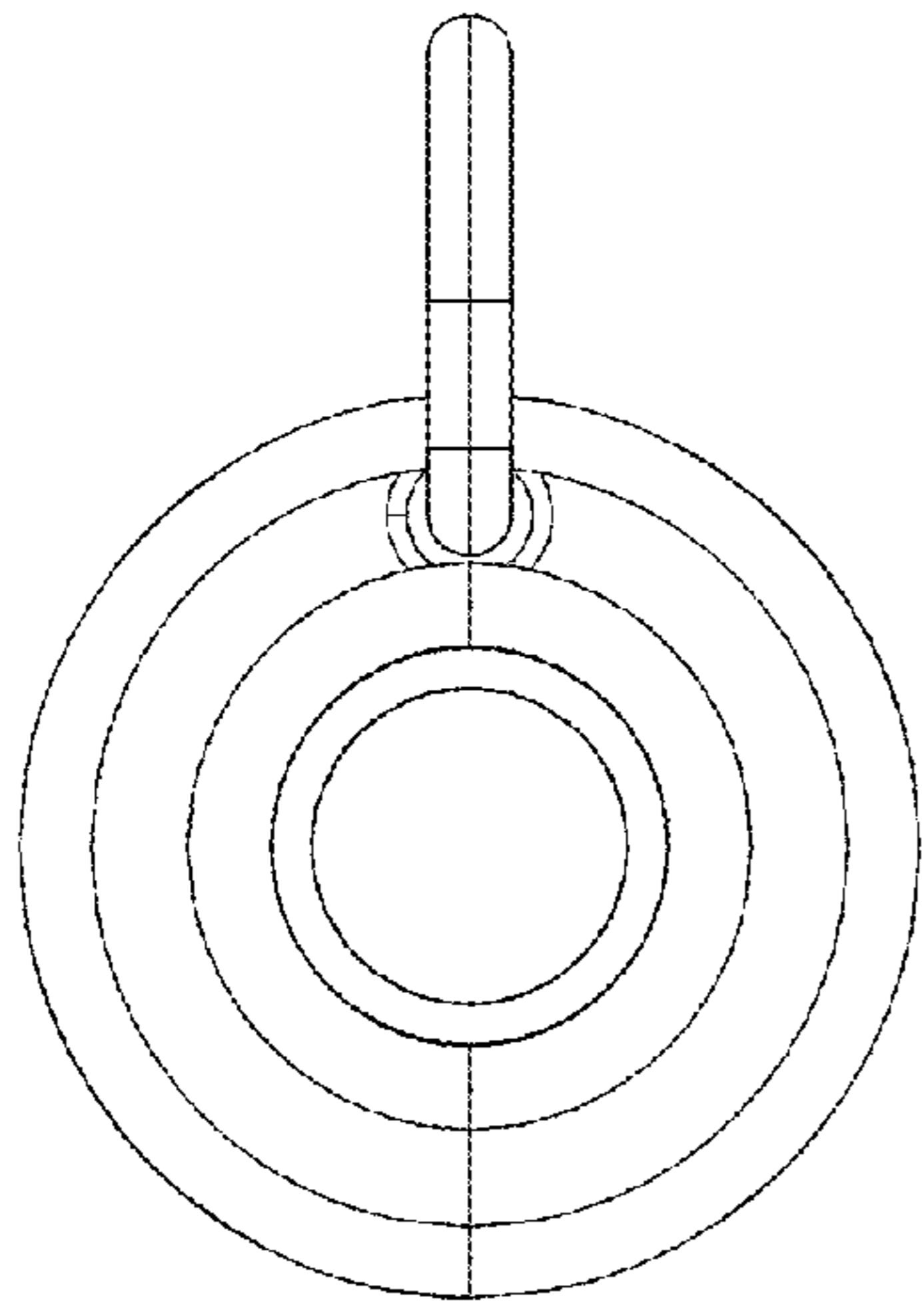


Fig. 4

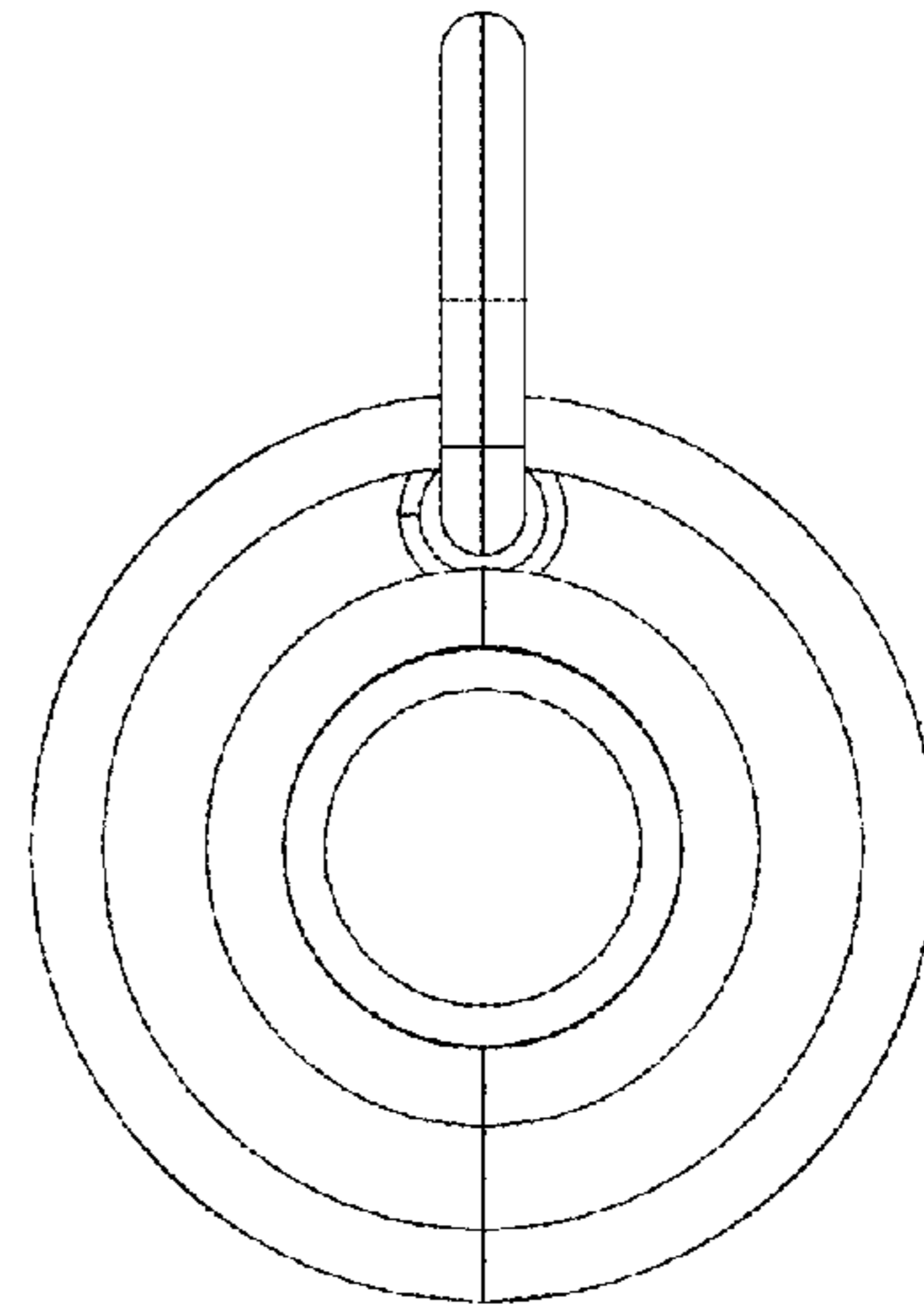


Fig. 5

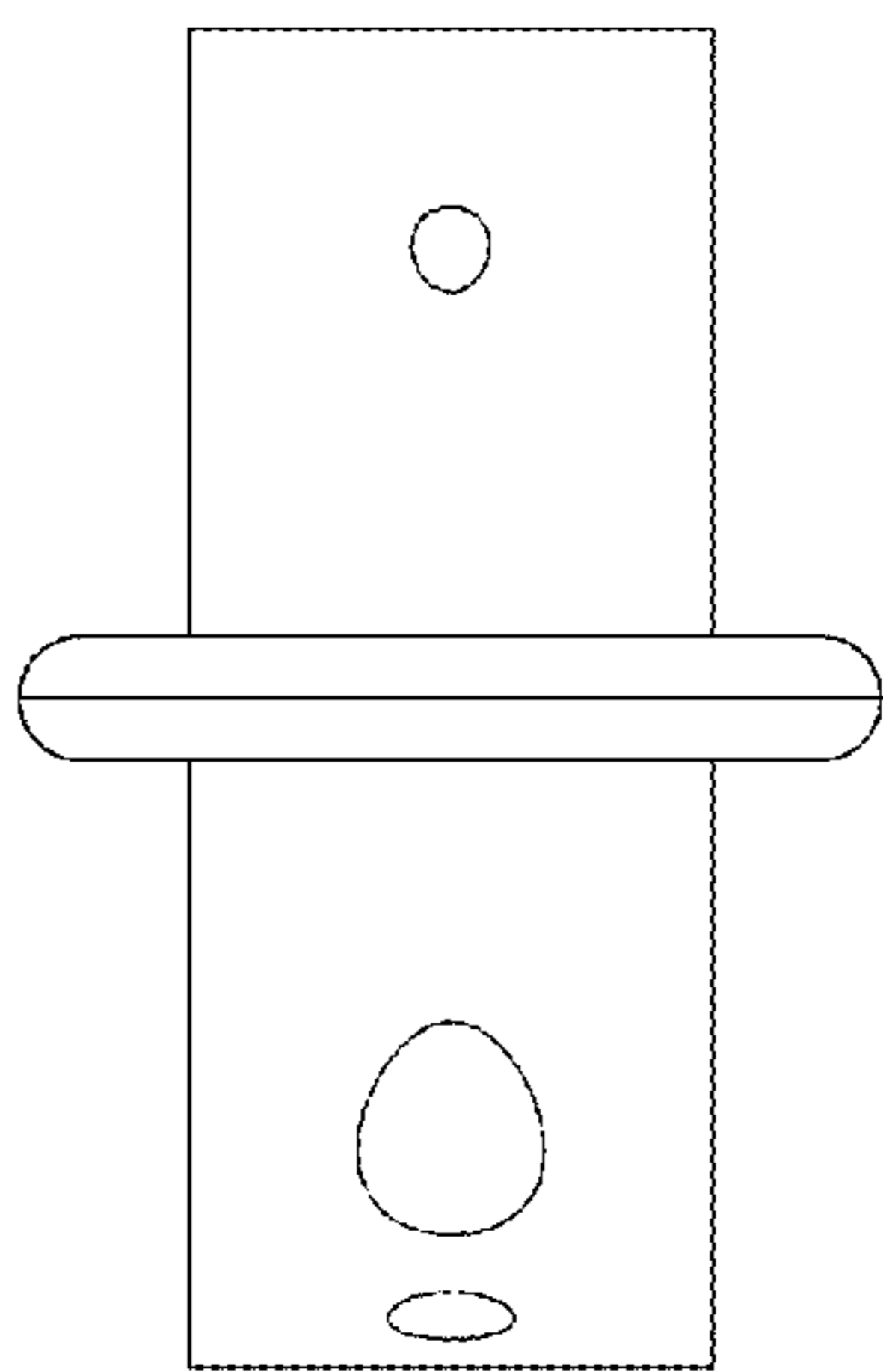


Fig. 6

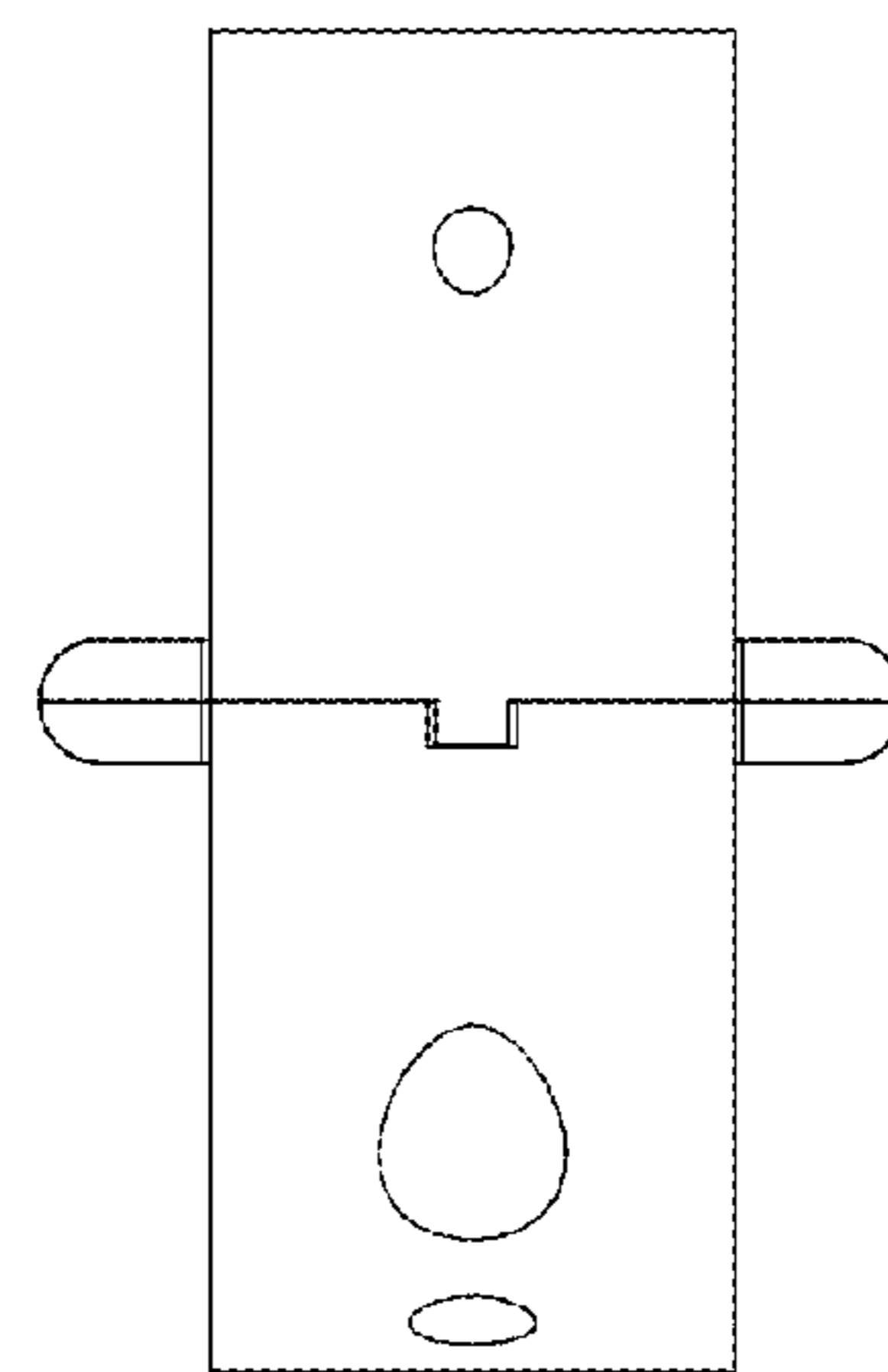


Fig. 7

Fig. 8

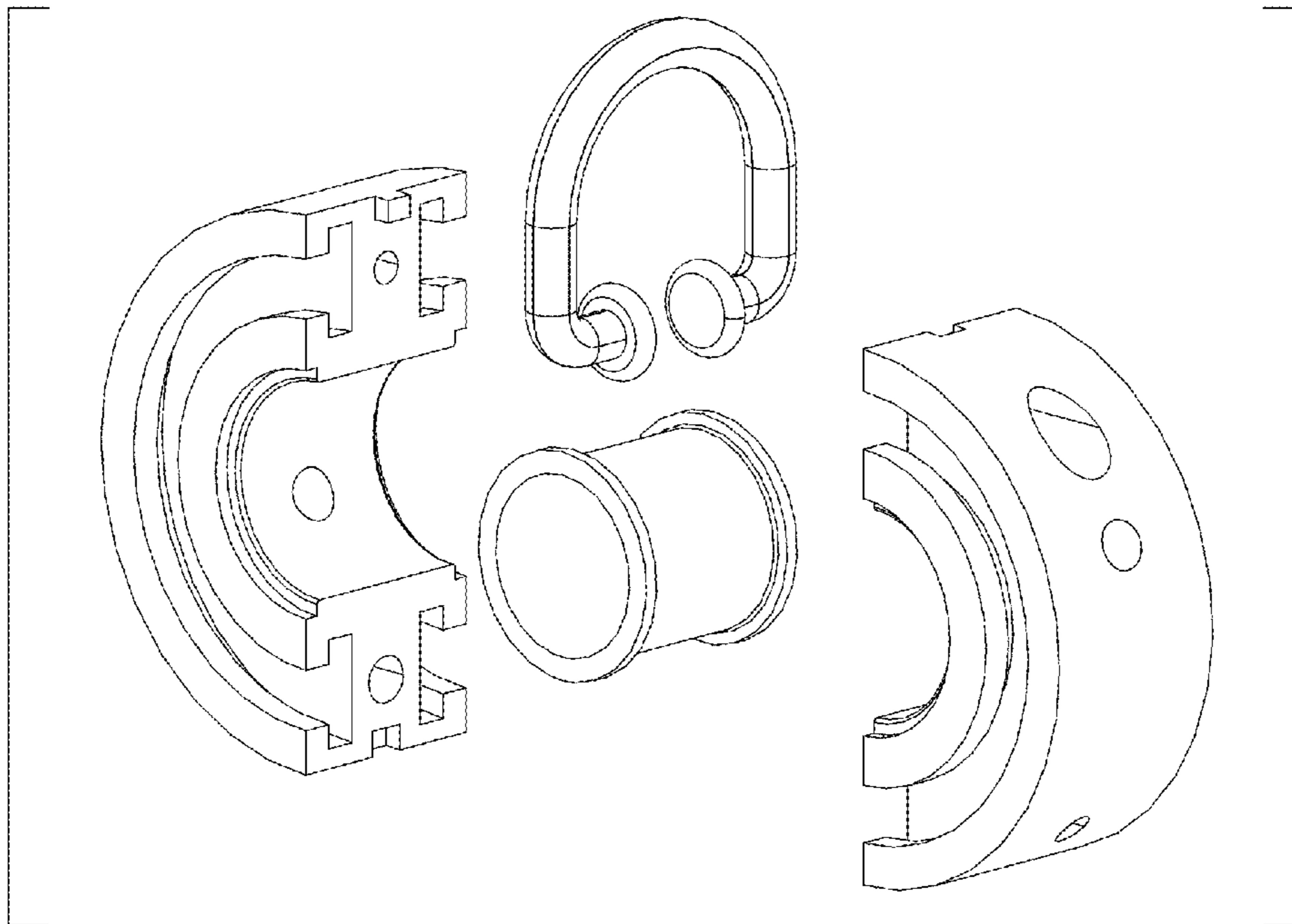


Fig. 9

