



US00D766057S

(12) **United States Design Patent** (10) **Patent No.:** **US D766,057 S**
Jungklaus et al. (45) **Date of Patent:** **** Sep. 13, 2016**

(54) **HANDLE ASSEMBLY FOR DRYWALL FINISHER BOX**

FOREIGN PATENT DOCUMENTS

(71) Applicant: **AXIA ACQUISITION CORPORATION**, Stone Mountain, GA (US)

CA 2035484 8/1991
CA 2031952 3/1992

(Continued)

(72) Inventors: **Matthew W. Jungklaus**, Lawrenceville, GA (US); **Mark S. Wilson**, Peachtree City, GA (US)

The Wizard from Tape Tech. Downloaded from <https://www.amestools.com/product/the-wizard-from-tapetech/> on May 2, 2016.*

(Continued)

(73) Assignee: **AXIA ACQUISITION CORPORATION**, Stone Mountain, GA (US)

Primary Examiner — Philip S Hyder
Assistant Examiner — Roselynn Cody

(74) *Attorney, Agent, or Firm* — Michael Best & Friedrich LLP

(**) Term: **14 Years**

(21) Appl. No.: **29/516,651**

(57) **CLAIM**

We claim the ornamental design for a handle assembly for drywall finisher box, as shown and described.

(22) Filed: **Feb. 4, 2015**

DESCRIPTION

(51) **LOC (10) Cl.** **08-05**

(52) **U.S. Cl.**
USPC **D8/45**

(58) **Field of Classification Search**
USPC D8/45, 107; 16/426; 401/5, 6, 48;
425/87, 458; 451/28, 59, 344, 54, 519,
451/524

CPC E04F 21/06; E04F 21/165; B05C 17/005;
B24B 23/00; B24B 23/04; B24D 15/00;
B24D 15/023; B25G 1/06; B25G 1/102

See application file for complete search history.

FIG. 1 is a perspective view of an embodiment of a handle assembly.

FIG. 2 is a left side elevation view of the handle assembly shown in FIG. 1.

FIG. 3 is a right side elevation view of the handle assembly shown in FIG. 1.

FIG. 4 is a front elevation view of the handle assembly shown in FIG. 1.

FIG. 5 is a rear elevation view of the handle assembly shown in FIG. 1.

FIG. 6 is a top plan view of the handle assembly shown in FIG. 1.

FIG. 7 is a bottom plan view of the handle assembly shown in FIG. 1; and,

FIG. 8 is a perspective view of the handle assembly shown in FIG. 1 with one handle reversed in orientation.

The broken lines showing the environment form no part of the claimed design.

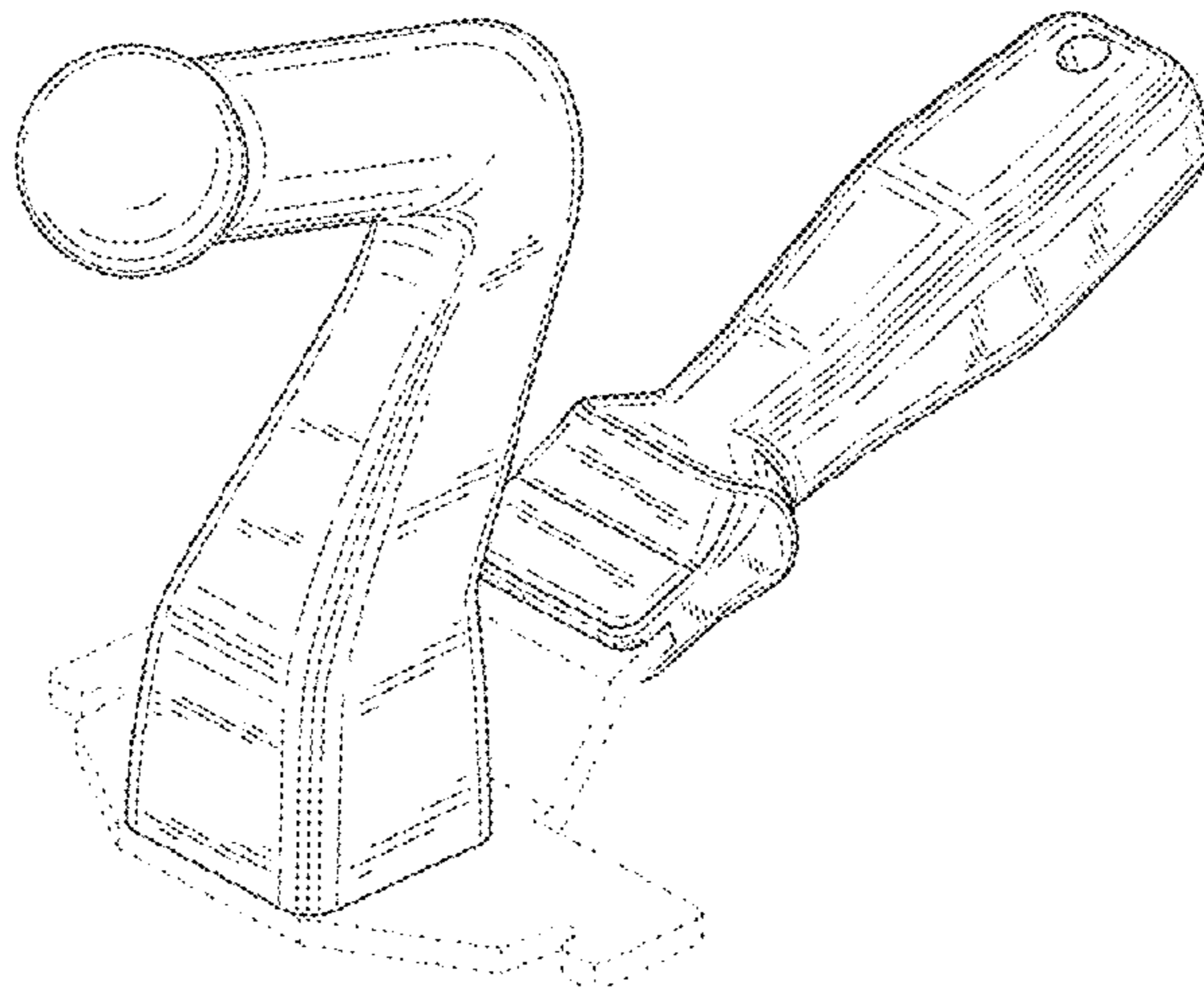
(56) **References Cited**

U.S. PATENT DOCUMENTS

77,506 A 5/1868 McGill
274,600 A * 3/1883 Heggland B27G 17/02
30/491
701,503 A 6/1902 Plummer

(Continued)

1 Claim, 6 Drawing Sheets



(56)

References Cited

U.S. PATENT DOCUMENTS

872,568 A 12/1907 Linderoth
 932,879 A 8/1909 May
 1,828,738 A 10/1931 Hood
 2,302,424 A * 11/1942 Delnostro B24B 23/046
 451/344
 2,434,356 A 1/1948 Finkelstein
 2,437,827 A 3/1948 Lund
 2,630,703 A 3/1953 Sommers
 2,711,098 A 6/1955 Ames
 2,912,851 A 11/1959 Karnes
 D188,337 S * 7/1960 Cowley et al. D8/90
 2,984,857 A 5/1961 Ames
 3,284,898 A * 11/1966 Hopkins B23D 71/00
 15/236.06
 3,363,316 A * 1/1968 Skarsten B44C 7/027
 15/236.05
 3,546,822 A * 12/1970 Hutchins B24D 15/023
 16/307
 4,129,407 A 12/1978 Golls et al.
 4,137,670 A * 2/1979 Goralski B24D 15/023
 407/29.15
 D263,364 S * 3/1982 Bruno D32/48
 4,516,868 A 5/1985 Molnar
 D282,716 S * 2/1986 Heinis D8/107
 4,619,013 A 10/1986 Yon
 4,676,031 A 6/1987 Reiter
 4,774,789 A 10/1988 Amalfi
 4,802,310 A 2/1989 Holmes
 5,016,402 A 5/1991 Reiter
 5,054,248 A * 10/1991 Thayer B24D 15/04
 451/490
 5,143,264 A 9/1992 MacMillan
 5,309,594 A 5/1994 Thompson
 D358,491 S 5/1995 Hoagland
 D360,988 S * 8/1995 Laubach, III D4/129
 D362,937 S * 10/1995 Camp, Jr. D32/48
 5,471,700 A * 12/1995 Pereira A47L 13/022
 15/143.1
 5,632,569 A 5/1997 Szmansky
 D381,483 S * 7/1997 Hartman D32/48
 D389,652 S * 1/1998 Berti D4/138
 5,792,489 A 8/1998 Liberman
 5,850,663 A * 12/1998 Hardy A46B 5/02
 15/143.1
 D405,960 S * 2/1999 King D4/138
 D426,444 S * 6/2000 Hepworth D8/14
 6,146,039 A 11/2000 Pool et al.
 6,163,919 A 12/2000 Mitchell
 D438,015 S * 2/2001 Weiss D4/129
 6,216,306 B1 * 4/2001 Esterson A46B 5/02
 15/111
 6,263,578 B1 7/2001 Frantz et al.

6,443,825 B2 * 9/2002 Schadoffsky B24D 9/00
 451/344
 D498,124 S * 11/2004 Mitchell D8/45
 7,011,570 B1 3/2006 MacLeod
 7,011,573 B2 3/2006 McArthur
 D532,671 S * 11/2006 Skillas D7/393
 7,318,716 B2 1/2008 Castagnetta, Jr.
 7,398,569 B2 * 7/2008 Sakaldasis A47C 21/028
 5/488
 7,775,855 B2 8/2010 Cybulski
 D674,259 S * 1/2013 Metaxatos D8/45
 D674,260 S * 1/2013 Metaxatos D8/45
 D682,062 S * 5/2013 Metaxatos D8/45
 8,438,687 B2 * 5/2013 Cybulski A47J 37/0786
 15/111
 D733,517 S * 7/2015 Constantine D8/107
 2003/0051303 A1 3/2003 Hung
 2005/0241839 A1 11/2005 Demar et al.
 2006/0137123 A1 6/2006 Sampaio
 2007/0056133 A1 3/2007 Pyatt
 2007/0067947 A1 3/2007 Hittmann
 2007/0068008 A1 3/2007 Wu et al.
 2007/0135028 A1 * 6/2007 Carpenter B24B 7/22
 451/344
 2008/0302214 A1 12/2008 Hoffman
 2010/0092232 A1 4/2010 Gallardo
 2011/0289721 A1 12/2011 Allen
 2013/0047381 A1 2/2013 Zorn
 2015/0233130 A1 * 8/2015 Wilson E04F 21/165
 16/426

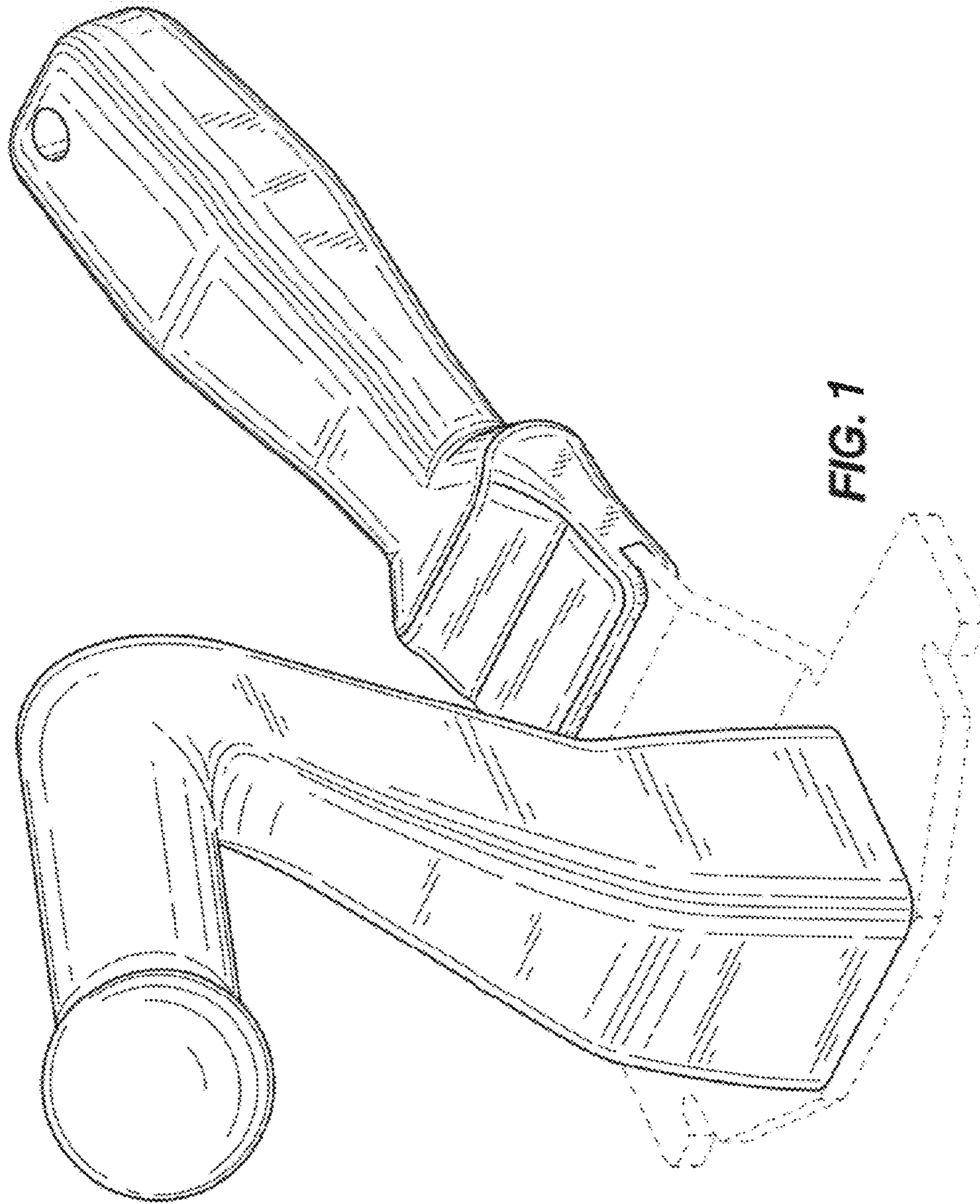
FOREIGN PATENT DOCUMENTS

DE 2816485 10/1979
 DE 19507955 9/1996

OTHER PUBLICATIONS

Drywall Finisher Box, Bing Images ,<http://www.bing.com/images/search?q=drywall+finisher+box&qpvtdrywall+finisher+box> downloaded Feb. 5, 2015 (2 pages).
 TapeTech-Flat-Box-Handle_2, <http://www.all-wall.com/TapeTech-Flat-Box-Handle_2.jpg> downloaded Feb. 5, 2015 (1 page).
 Roofers Choice Hand Metal Seamer, 6 in. Straight, <<http://www.bestmaterials.com/detail.aspx?ID=20171>> downloaded Feb. 5, 2015 (2 pages).
 Drywall-Master-12in-Super-Finish-Flat-B, <http://www.all-wall.com/Drywall-Master-12in-Super-Finish-Flat-Box-Handle-12101_lg.jpg> download Feb. 5, 2015 (1 page).
 International Search Report for Application No. PCT/US2015/014474 dated May 8, 2015 (8 pages).
 International Written Report for Application No. PCT/US2015/014474 dated May 8, 2015 (4 pages).

* cited by examiner



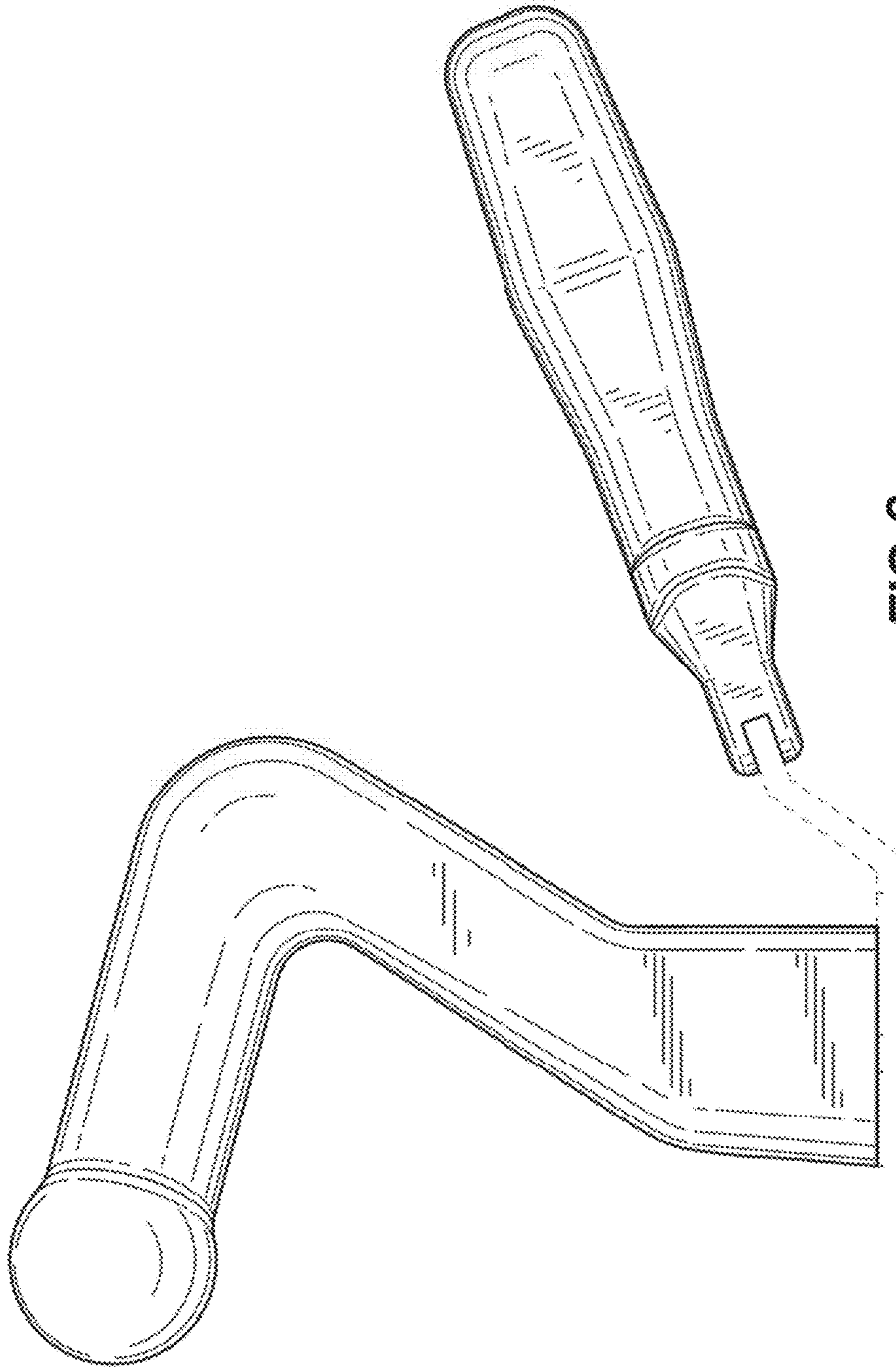


FIG. 2

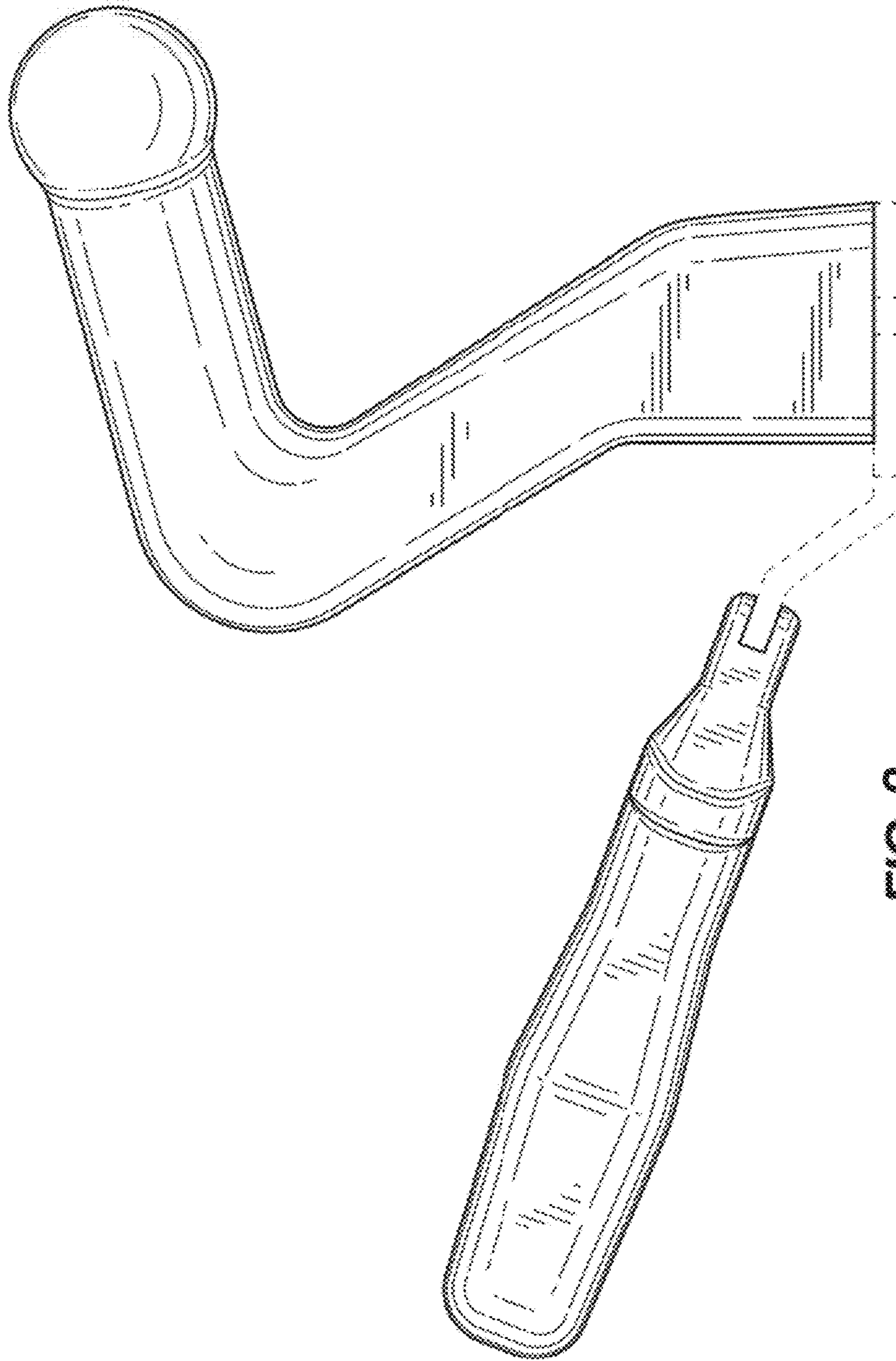


FIG. 3

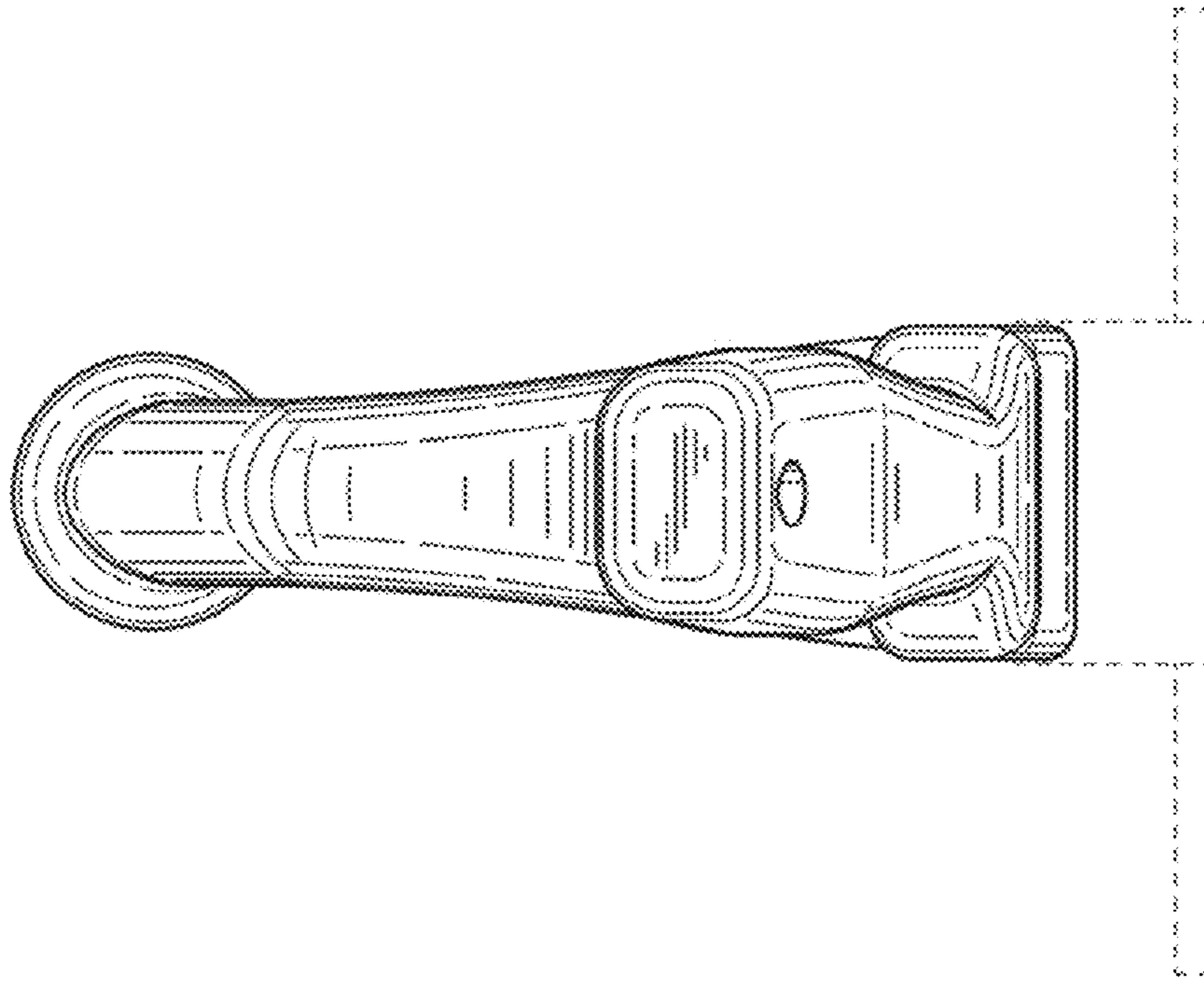


FIG. 5

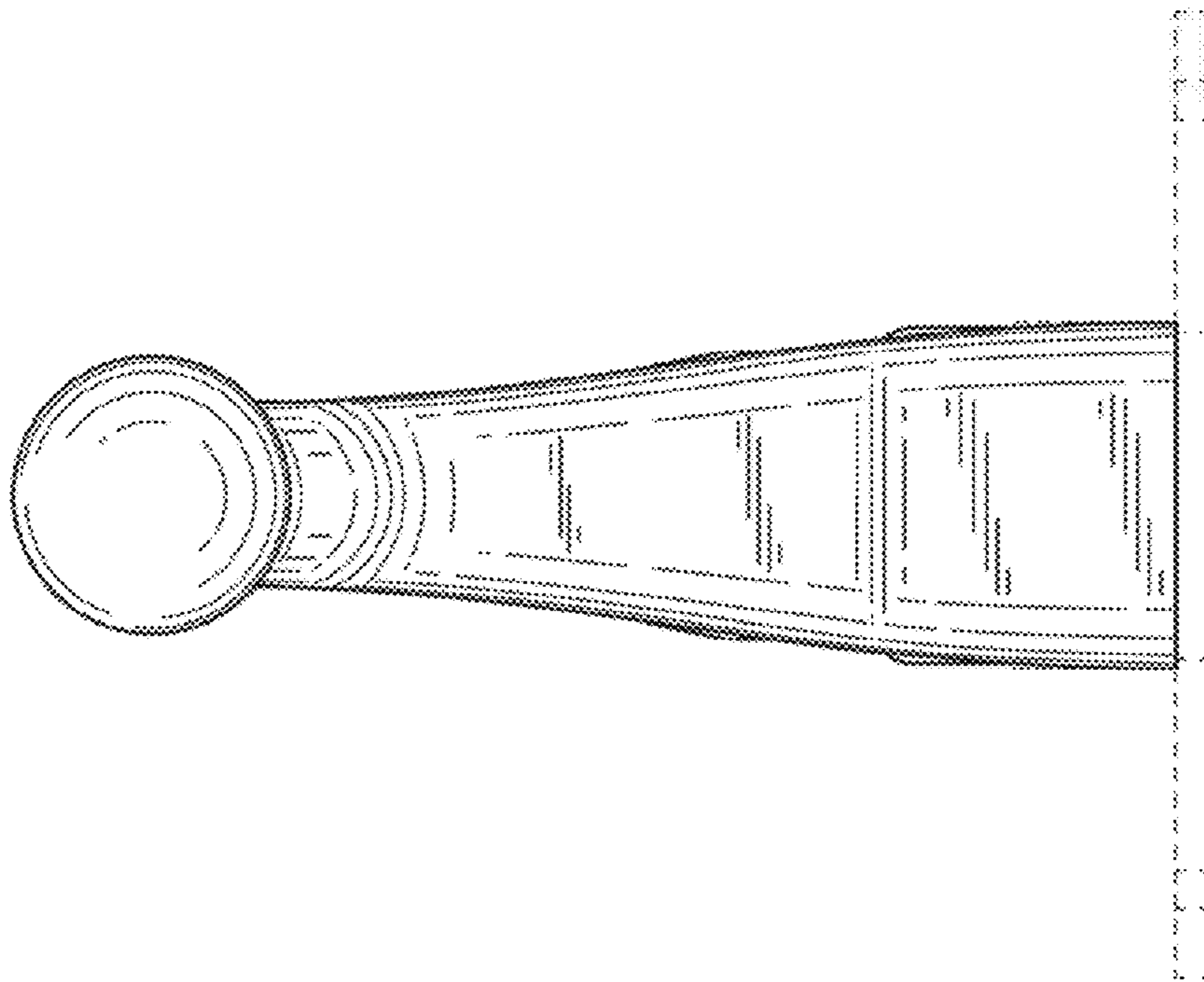
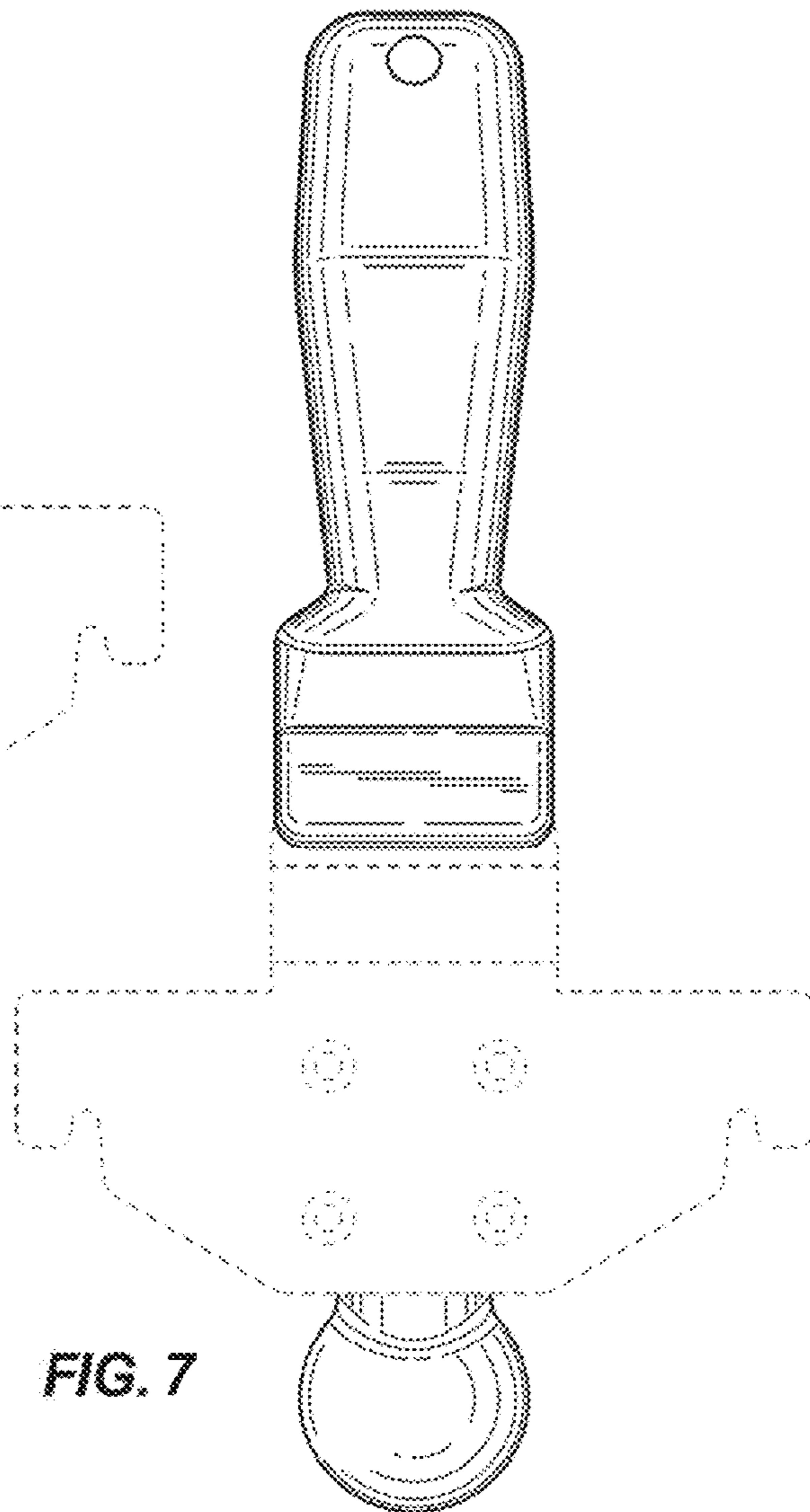
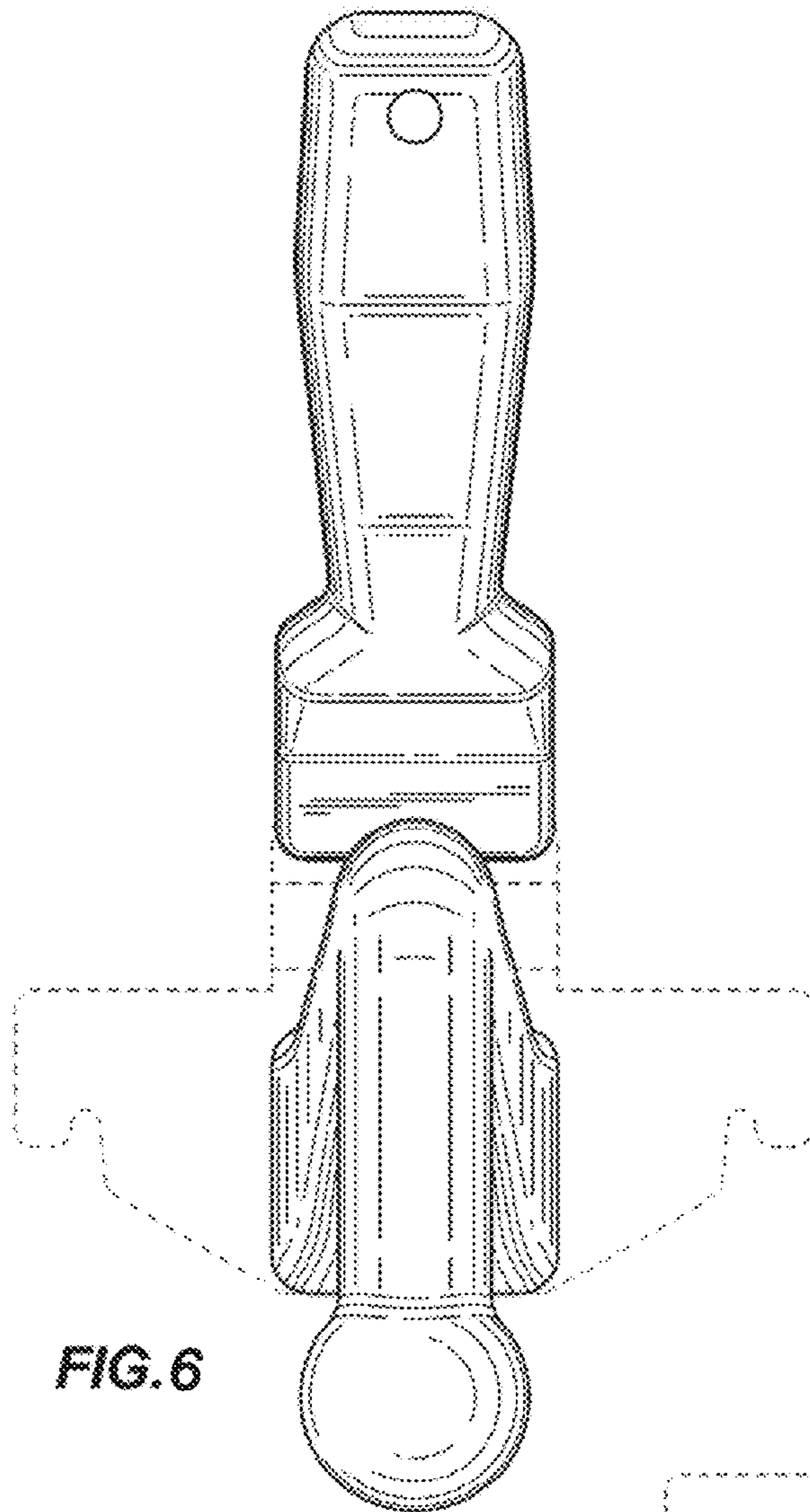


FIG. 4



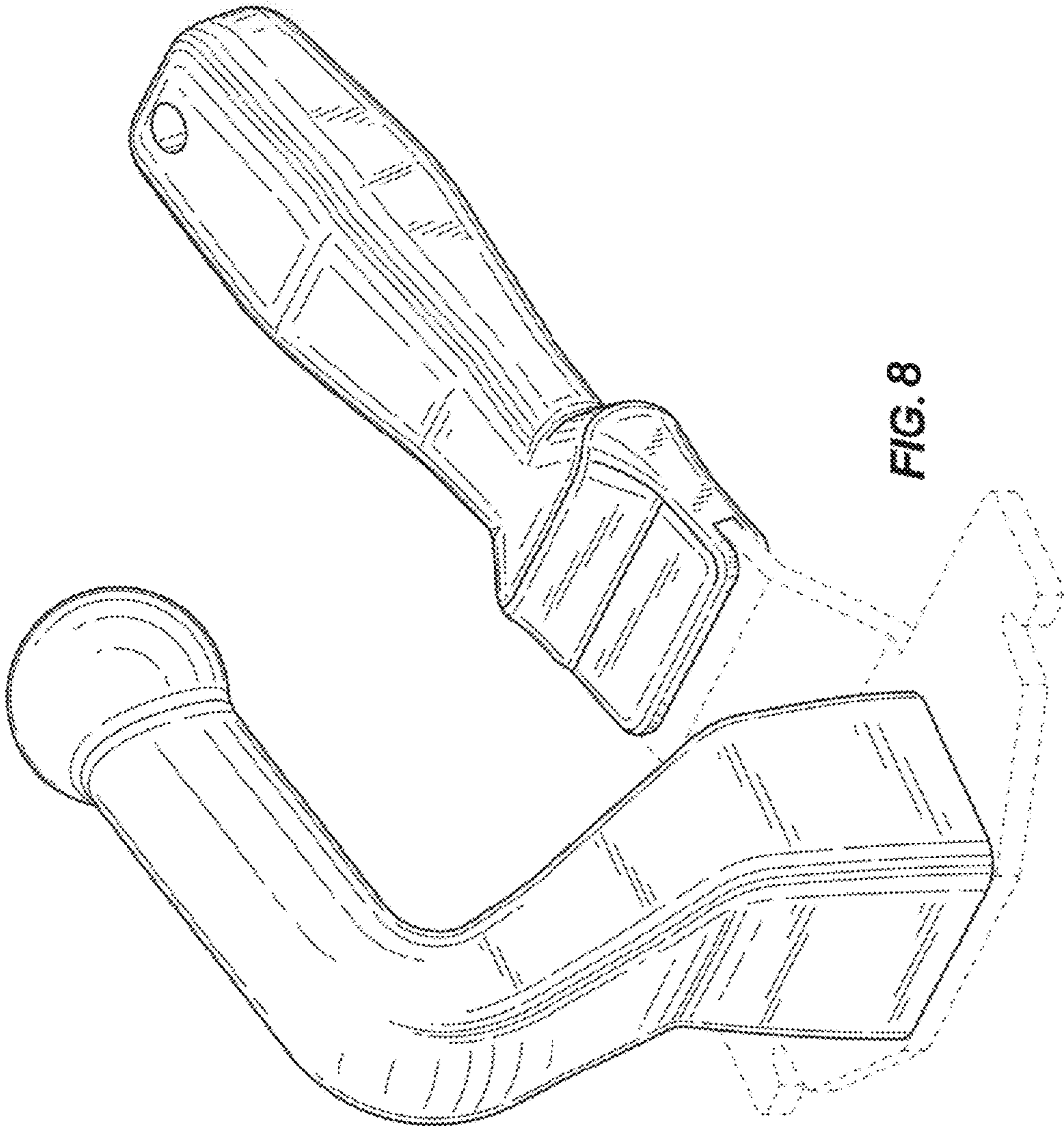


FIG. 8