



US00D766056S

(12) **United States Design Patent**  
**Fischer**

(10) **Patent No.:** **US D766,056 S**

(45) **Date of Patent:** **\*\* Sep. 13, 2016**

(54) **BOTTLE OPENER BIT HOLDER**

(71) Applicant: **Brett William Fischer**, Lee's Summit,  
MO (US)

(72) Inventor: **Brett William Fischer**, Lee's Summit,  
MO (US)

(\*\*) Term: **15 Years**

(21) Appl. No.: **29/535,659**

(22) Filed: **Aug. 10, 2015**

(51) **LOC (10) Cl.** ..... **07-99**

(52) **U.S. Cl.**  
USPC ..... **D8/34; D8/71**

(58) **Field of Classification Search**  
USPC ..... D8/16, 18, 19, 33-43, 98, 100, 347,  
D8/348, 71, 82, 83, 87  
CPC ..... B67B 7/00; B67B 7/14; B67B 7/16;  
B67B 7/18; B67B 7/20; B67B 7/24; B67B  
7/44; B67B 3/00; E05B 17/103  
See application file for complete search history.

(56) **References Cited**

**U.S. PATENT DOCUMENTS**

D51,529 S \* 11/1917 Martin ..... D8/16  
D244,081 S \* 4/1977 Steinbach ..... D8/347  
D253,160 S \* 10/1979 Steinbach ..... D8/347  
D283,298 S \* 4/1986 Turpin ..... D8/331  
D317,249 S \* 6/1991 Gitlin ..... D8/347  
D325,688 S \* 4/1992 Schreib ..... 294/104  
D330,501 S \* 10/1992 Steinbach ..... D8/347

D341,073 S \* 11/1993 Omori ..... D8/346  
D347,777 S \* 6/1994 Brix-Hansen ..... D8/40  
D436,304 S \* 1/2001 Brown ..... D8/14  
7,086,310 B2 \* 8/2006 Oleksy ..... B67B 7/16  
81/3.08  
7,137,317 B2 \* 11/2006 Shearon ..... B67B 7/403  
81/3.4  
D609,069 S \* 2/2010 Fischer ..... D8/34  
D623,042 S \* 9/2010 Ranshaw ..... D8/347  
7,827,884 B2 \* 11/2010 Lawson ..... B67B 7/16  
81/3.09  
9,272,891 B2 \* 3/2016 Arellano ..... B67B 7/24

\* cited by examiner

*Primary Examiner* — Elizabeth Albert

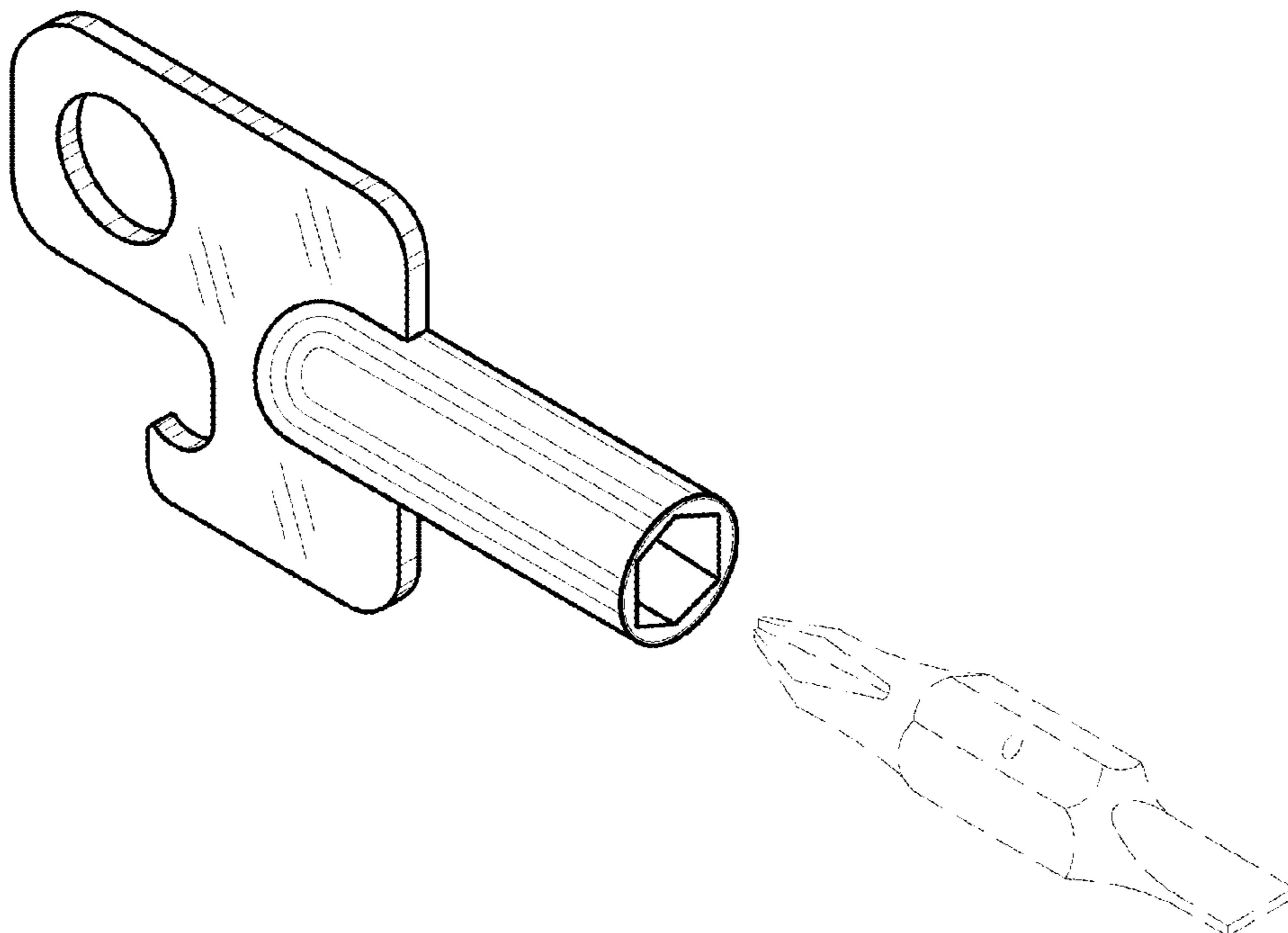
(57) **CLAIM**

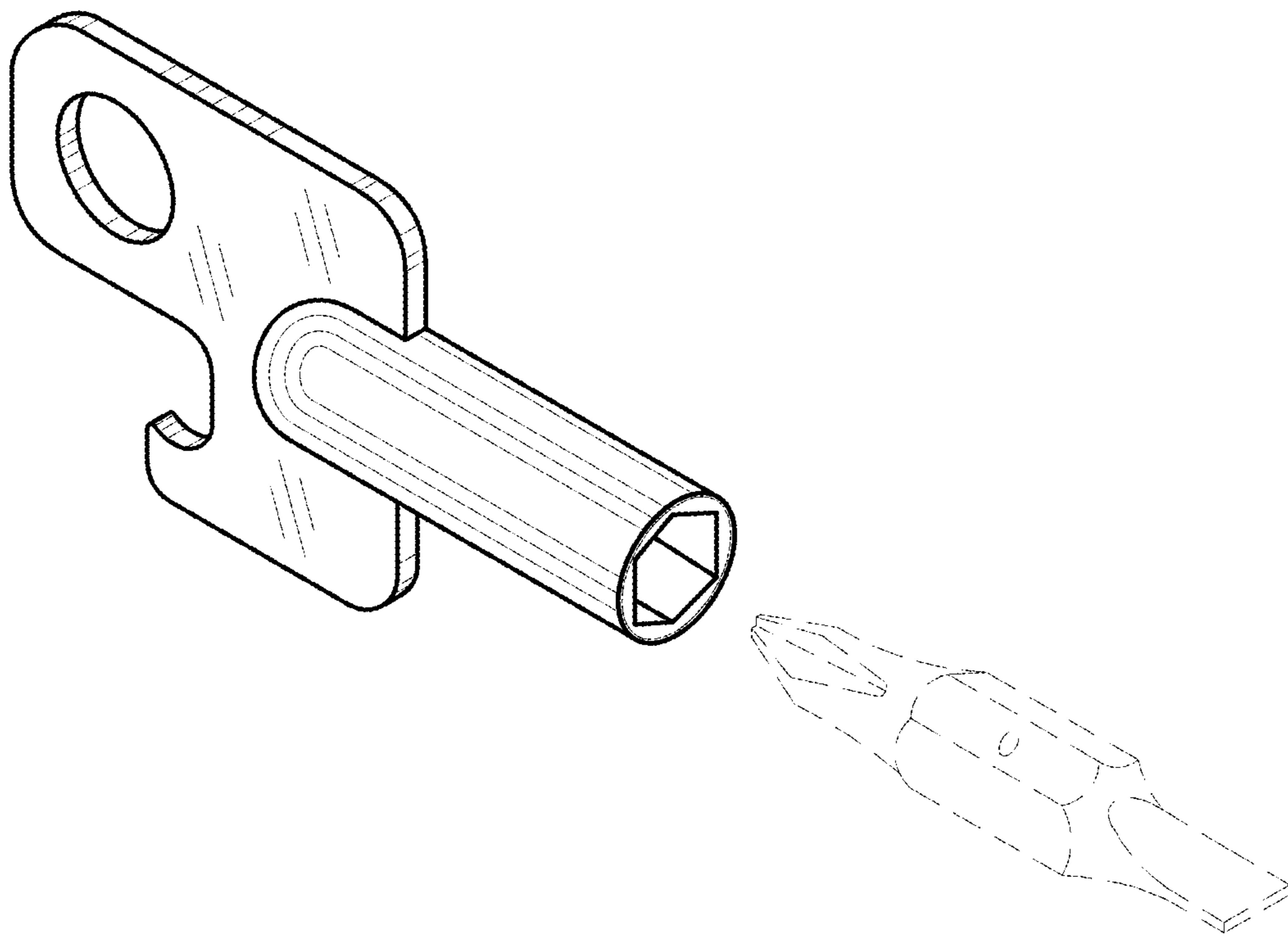
The ornamental design for a bottle opener bit holder, as shown and described.

**DESCRIPTION**

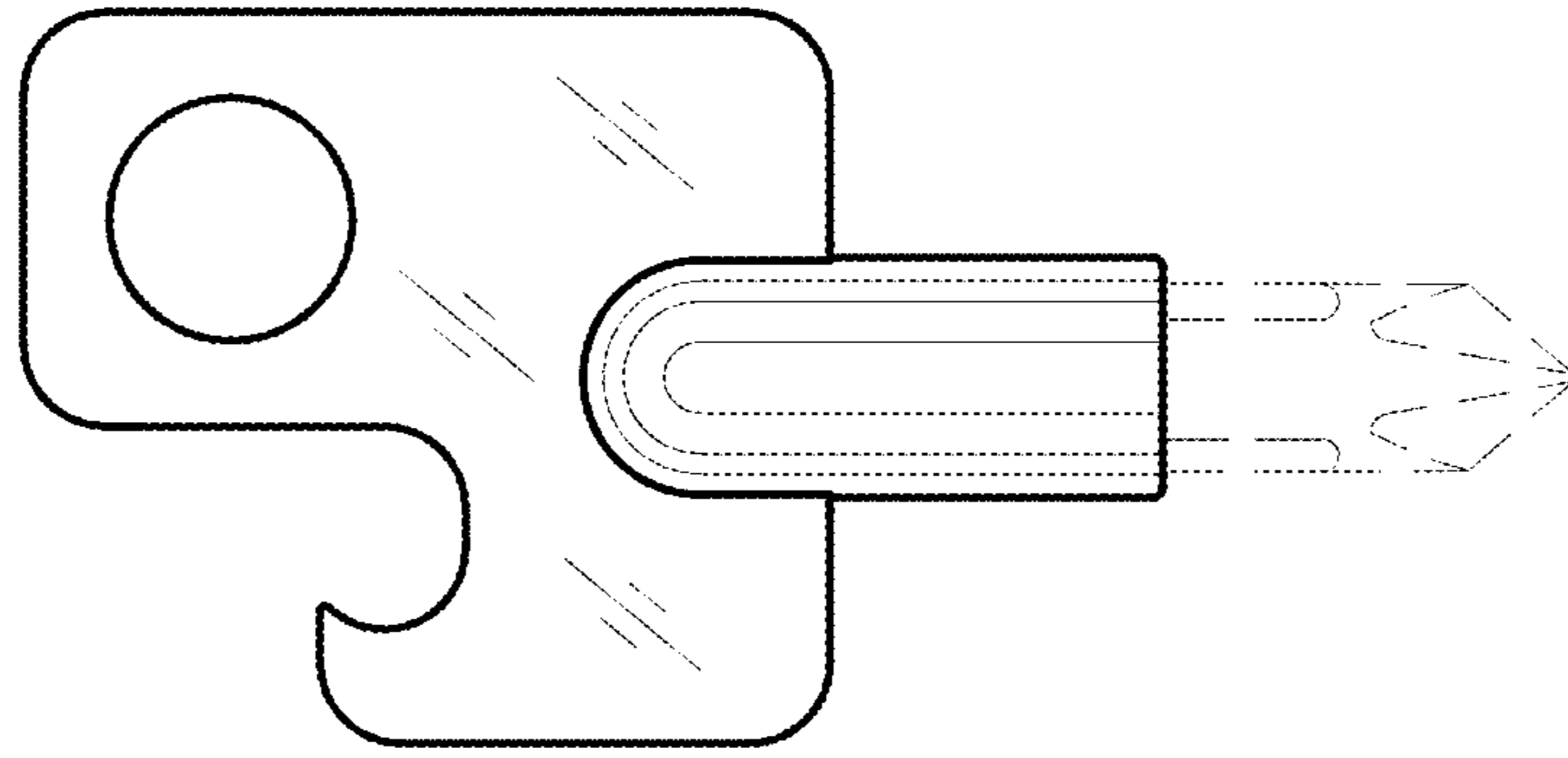
FIG. 1 is a perspective top view thereof;  
FIG. 2 is a top plan view thereof;  
FIG. 3 is a front elevation view thereof;  
FIG. 4 is a back elevation view thereof;  
FIG. 5 is a bottom plan view;  
FIG. 6 is a right elevation view thereof;  
FIG. 7 is a left elevation view thereof; and,  
FIG. 8 is an environmental drawing view thereof.  
The broken lines in FIGS. 1-5 and 8 showing a screwdriver bit and in FIG. 8 showing a portion of a bottle are included to show articles in the environment that form no part of the claimed design.

**1 Claim, 4 Drawing Sheets**

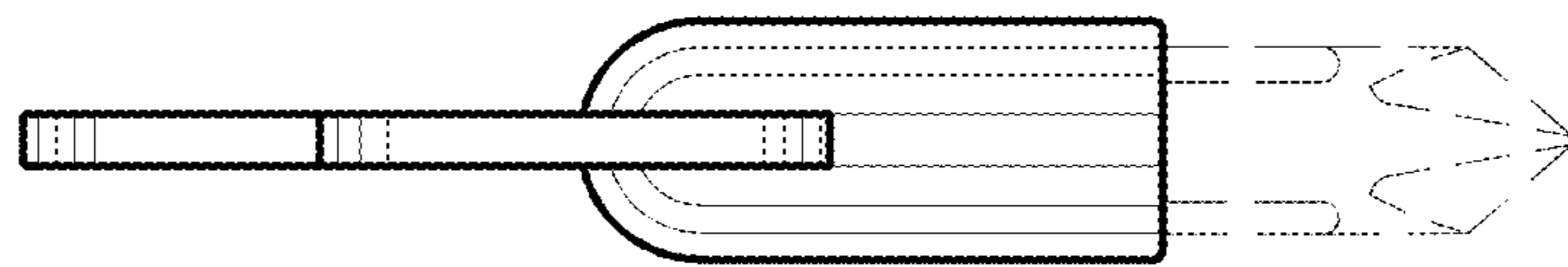




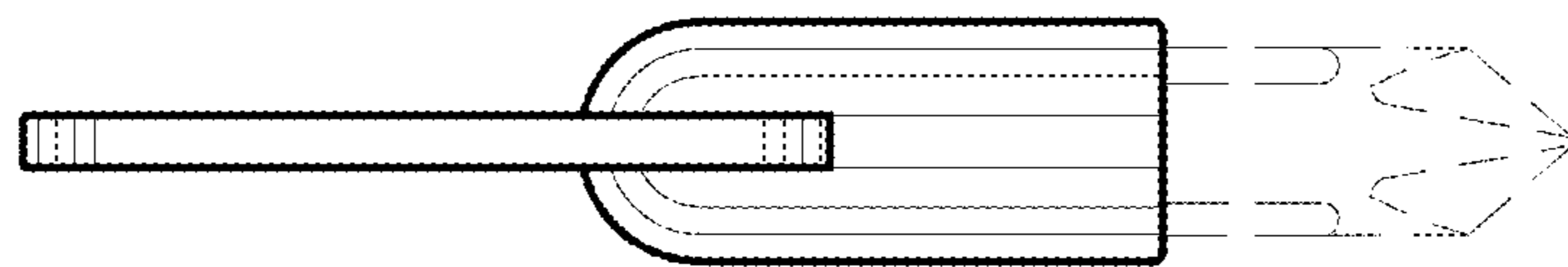
*Fig. 1*



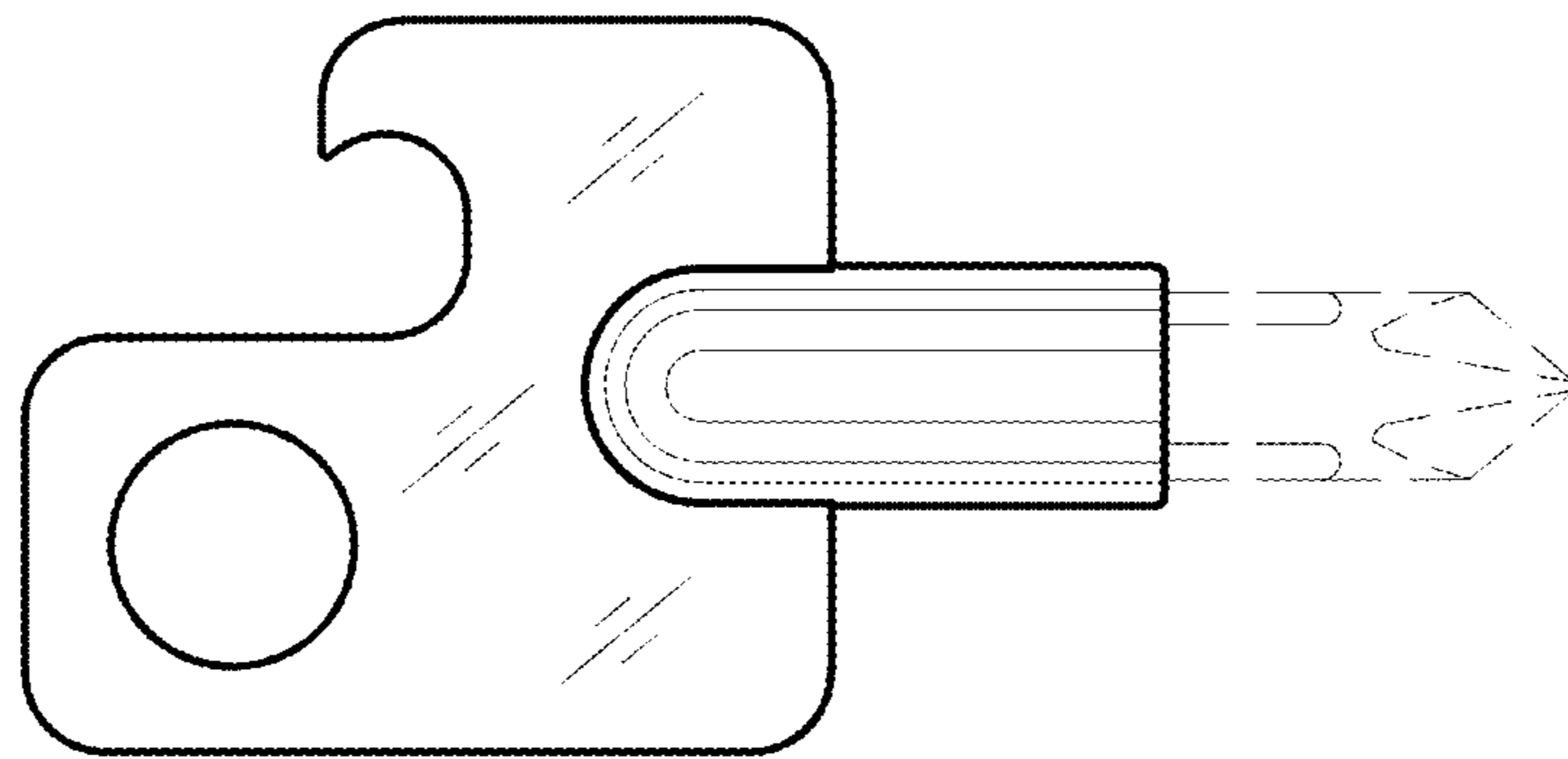
*Fig. 2*



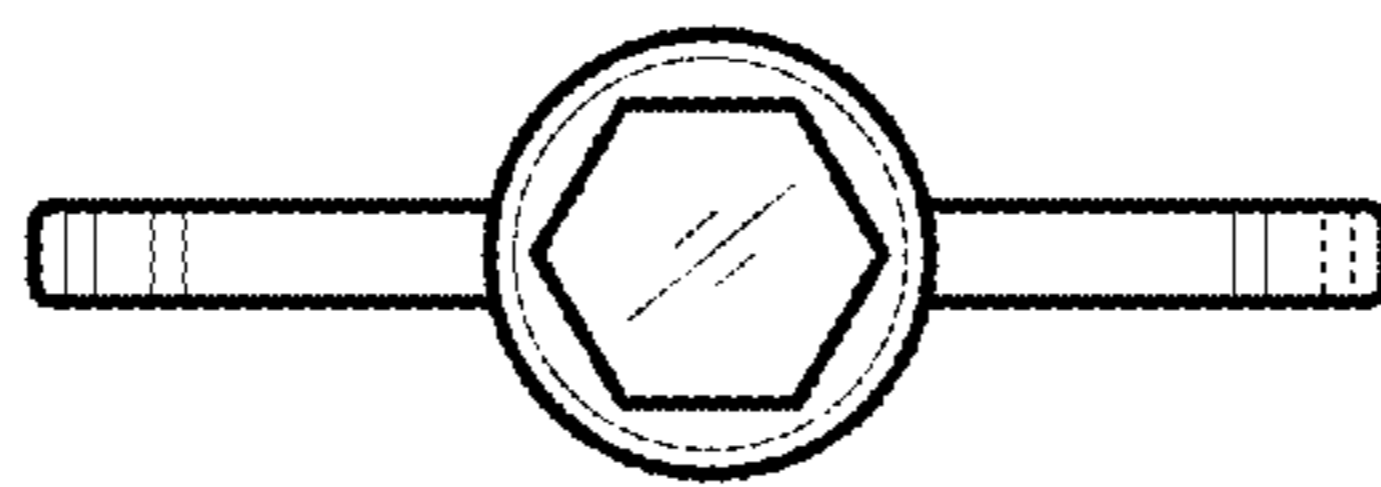
*Fig. 3*



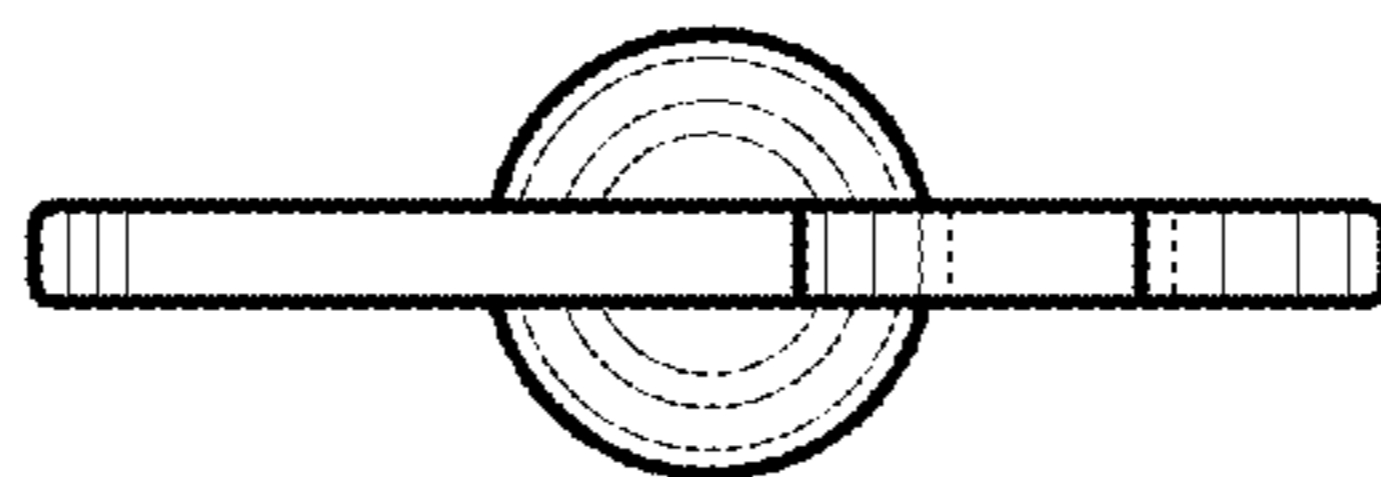
*Fig. 4*



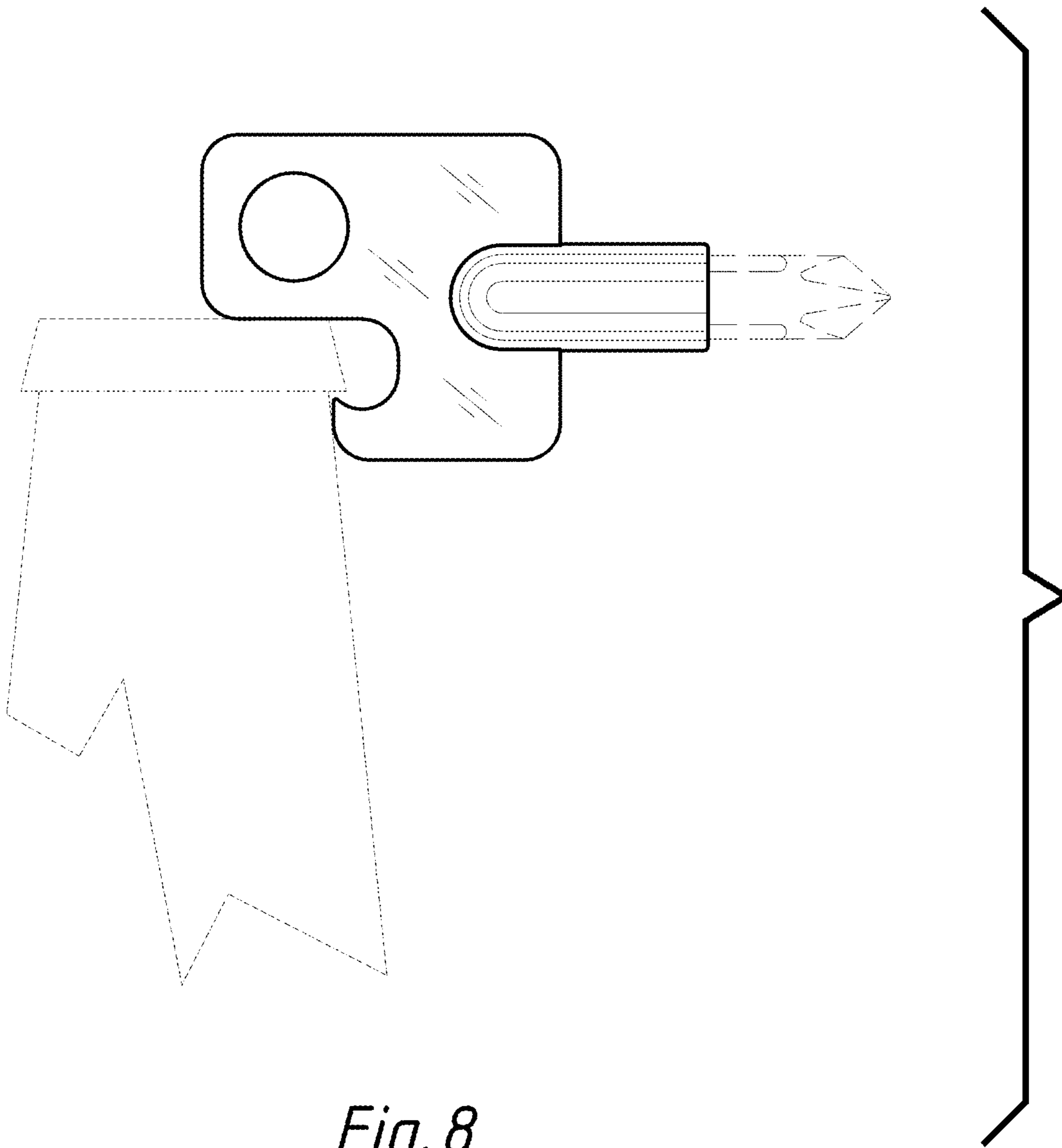
*Fig. 5*



*Fig. 6*



*Fig. 7*



*Fig. 8*