



US00D766055S

(12) **United States Design Patent**  
**Ford et al.**

(10) **Patent No.:** **US D766,055 S**  
(45) **Date of Patent:** **\*\* Sep. 13, 2016**

- (54) **WRENCH**
- (71) Applicants: **Douglas W. Ford**, Wilsonville, OR (US); **Robert DeLine**, Corbett, OR (US)
- (72) Inventors: **Douglas W. Ford**, Wilsonville, OR (US); **Robert DeLine**, Corbett, OR (US)
- (73) Assignee: **Optimize Technologies, Inc.**, Oregon City, OR (US)
- (\*\*) Term: **14 Years**
- (21) Appl. No.: **29/514,587**
- (22) Filed: **Jan. 14, 2015**
- (51) **LOC (10) Cl.** ..... **08-05**
- (52) **U.S. Cl.**  
USPC ..... **D8/21**
- (58) **Field of Classification Search**  
USPC ..... D8/17, 21–29, 52, 55, 81–87, 102–107, D8/98, 99, 93, 94; 81/119, 121.1, 86, 81/124.2, 125, 125.1, 176.1, 176.2, 177.1, 81/177.2, 177.3, 177.85, 124.3, 124.7, 81/176.3, 179, 160, 3.57, 3.55, 58.4, 186, 81/58.3, 300, 58.1, 60–63.2, 165–170, 81/110.1, 124.6, 176.15, 121.7, 436, 437, 81/166, 177.8, 177.9, 185.1, 3.4, 177.4, 81/492, 57, 58, 13, 177.7, 490, 415–423, 81/427.5; 140/119; 16/422, 186, 429, 430; D24/133, 144, 147  
CPC ..... B25B 1/00  
See application file for complete search history.

- 7,347,129 B1 \* 3/2008 Youtsey ..... B25B 13/06 81/124.2
- 8,065,940 B2 \* 11/2011 Wilson ..... B25B 13/06 81/467
- 8,490,525 B2 \* 7/2013 Wilson ..... B25B 13/06 81/467
- 9,027,446 B1 \* 5/2015 Simkin ..... B25B 13/481 81/124.2

**OTHER PUBLICATIONS**

“Viper™ Capillary Stainless Steel Fingertight 180µm,” © 2015 Thermo Fisher Scientific Inc., Fife, Wash., <<http://www.thermoscientific.com/content/tfs/en/product/dionex-viper-capillary-fingertight-fittings-analytical-systems.html>> [retrieved Apr. 10, 2015], 2 pages.

\* cited by examiner

*Primary Examiner* — Randall Gholson

(74) *Attorney, Agent, or Firm* — Christensen O’Connor Johnson Kindness PLLC

(57) **CLAIM**

The ornamental design for a wrench, as shown and described.

**DESCRIPTION**

FIG. 1 is a front perspective view of a wrench according to our new design;  
FIG. 2 is a rear perspective view of the wrench of FIG. 1;  
FIG. 3 is a front elevational view of the wrench of FIG. 1;  
FIG. 4 is a rear elevational view of the wrench of FIG. 1;  
FIG. 5 is a top plan view of the wrench of FIG. 1;  
FIG. 6 is a bottom plan view of the wrench of FIG. 1;  
FIG. 7 is a right side elevational view of the wrench of FIG. 1; and,  
FIG. 8 is a left side elevational view of the wrench of FIG. 1.

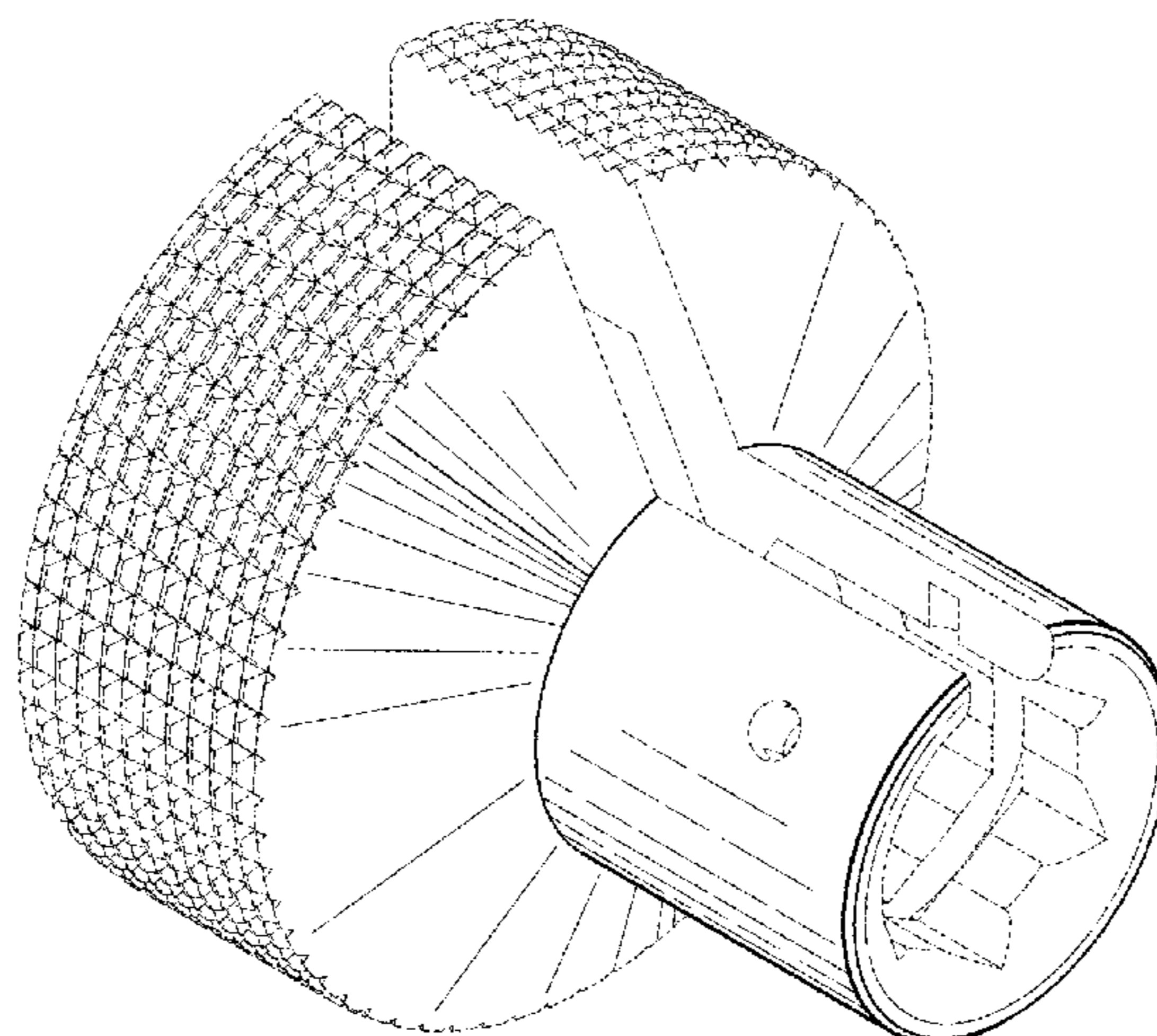
The subject matter shown in broken lines is hereby disclaimed and forms no part of the claimed invention.

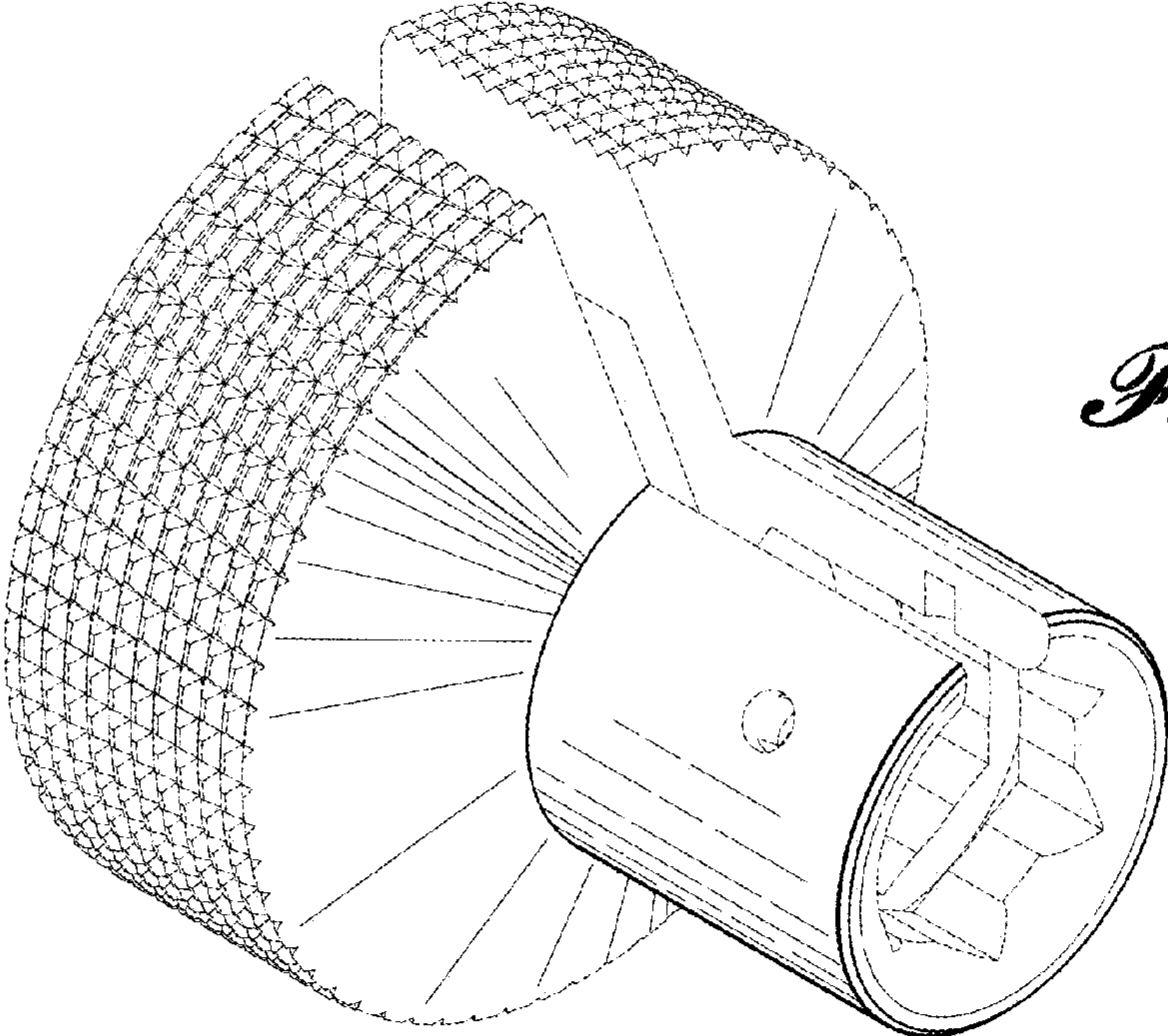
**1 Claim, 4 Drawing Sheets**

(56) **References Cited**

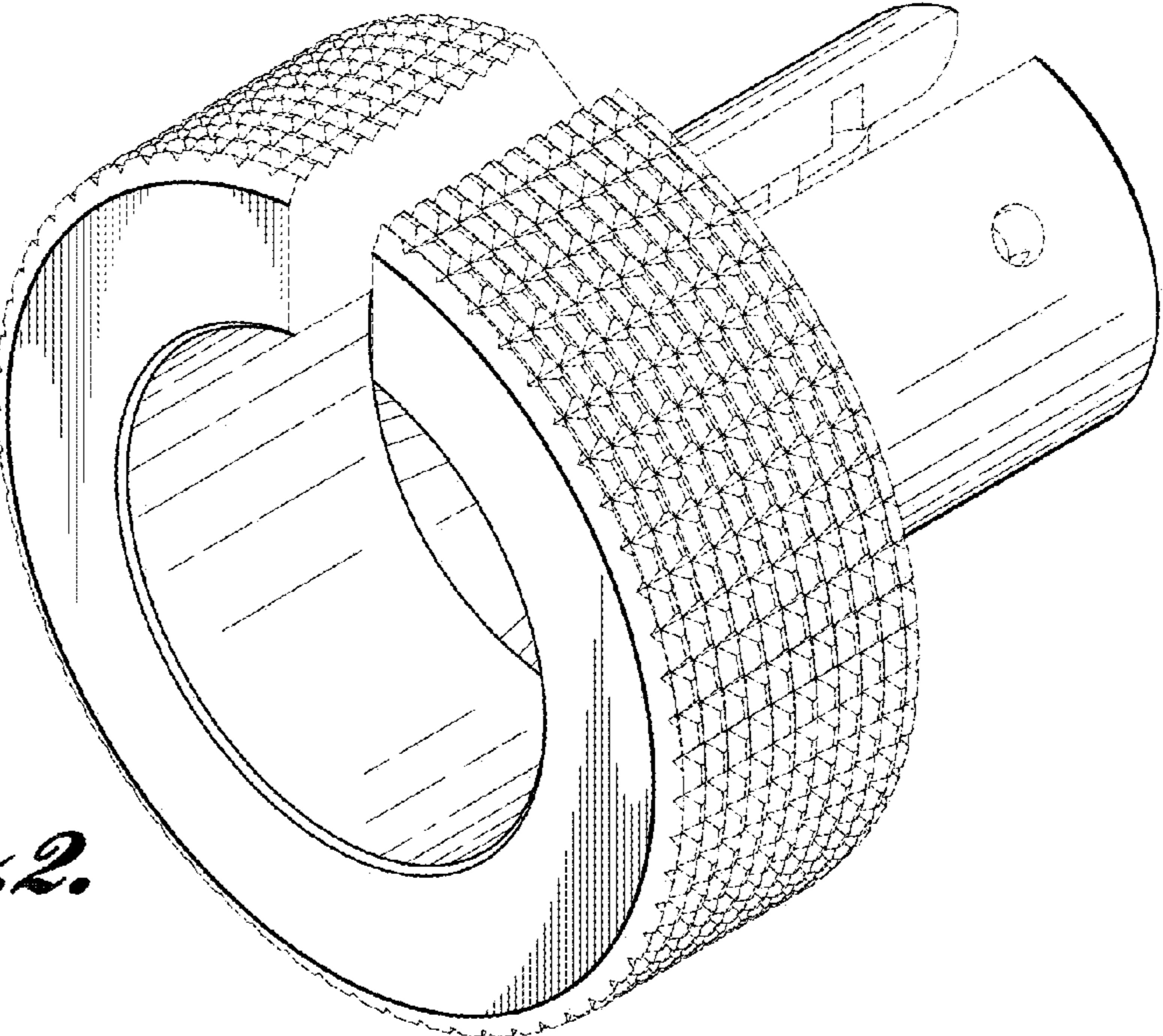
**U.S. PATENT DOCUMENTS**

- 6,494,500 B1 \* 12/2002 Todosiev ..... G01N 30/6026 285/279
- D524,613 S \* 7/2006 Chen ..... D8/21



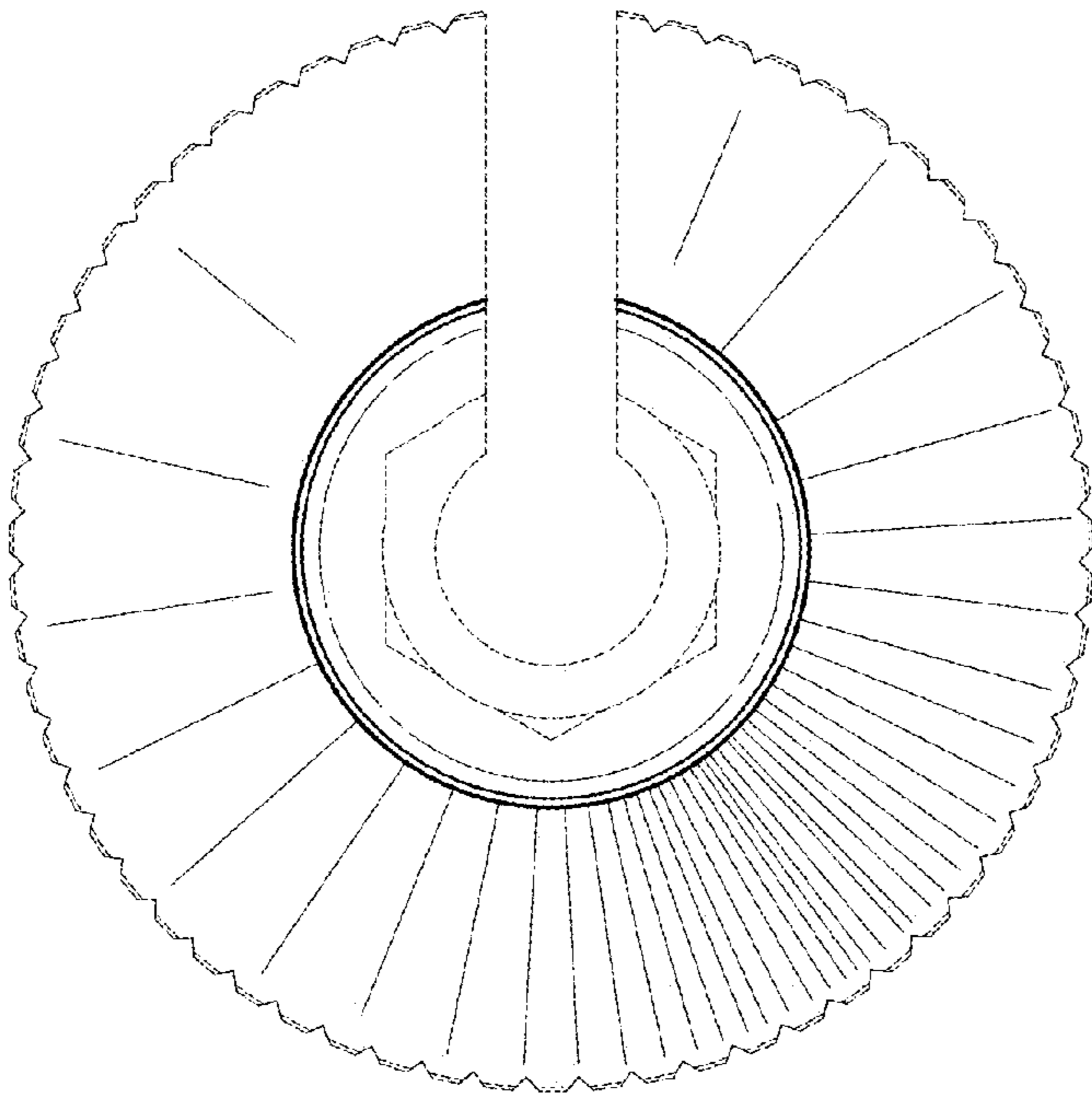


*Fig. 1.*

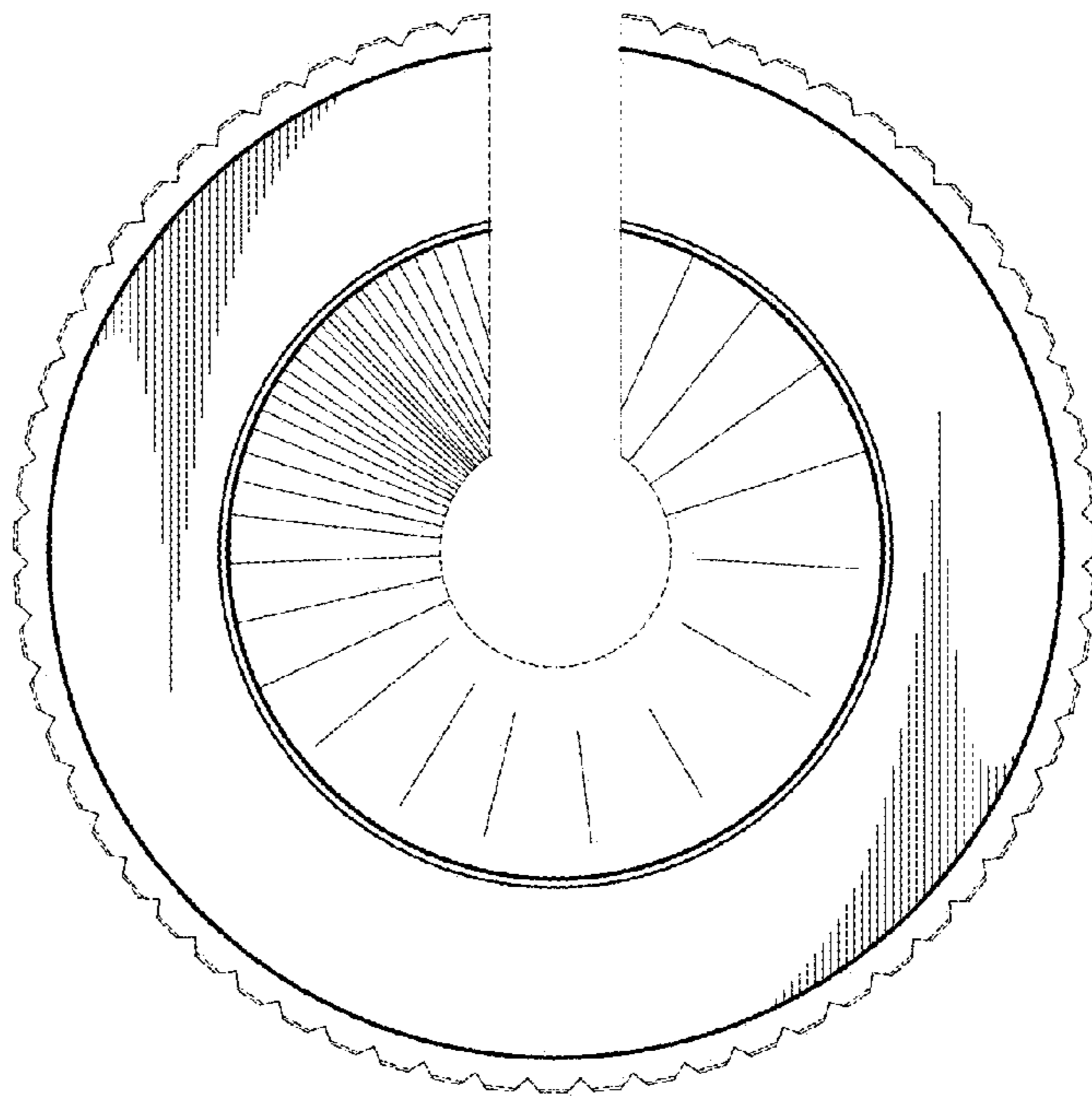


*Fig. 2.*

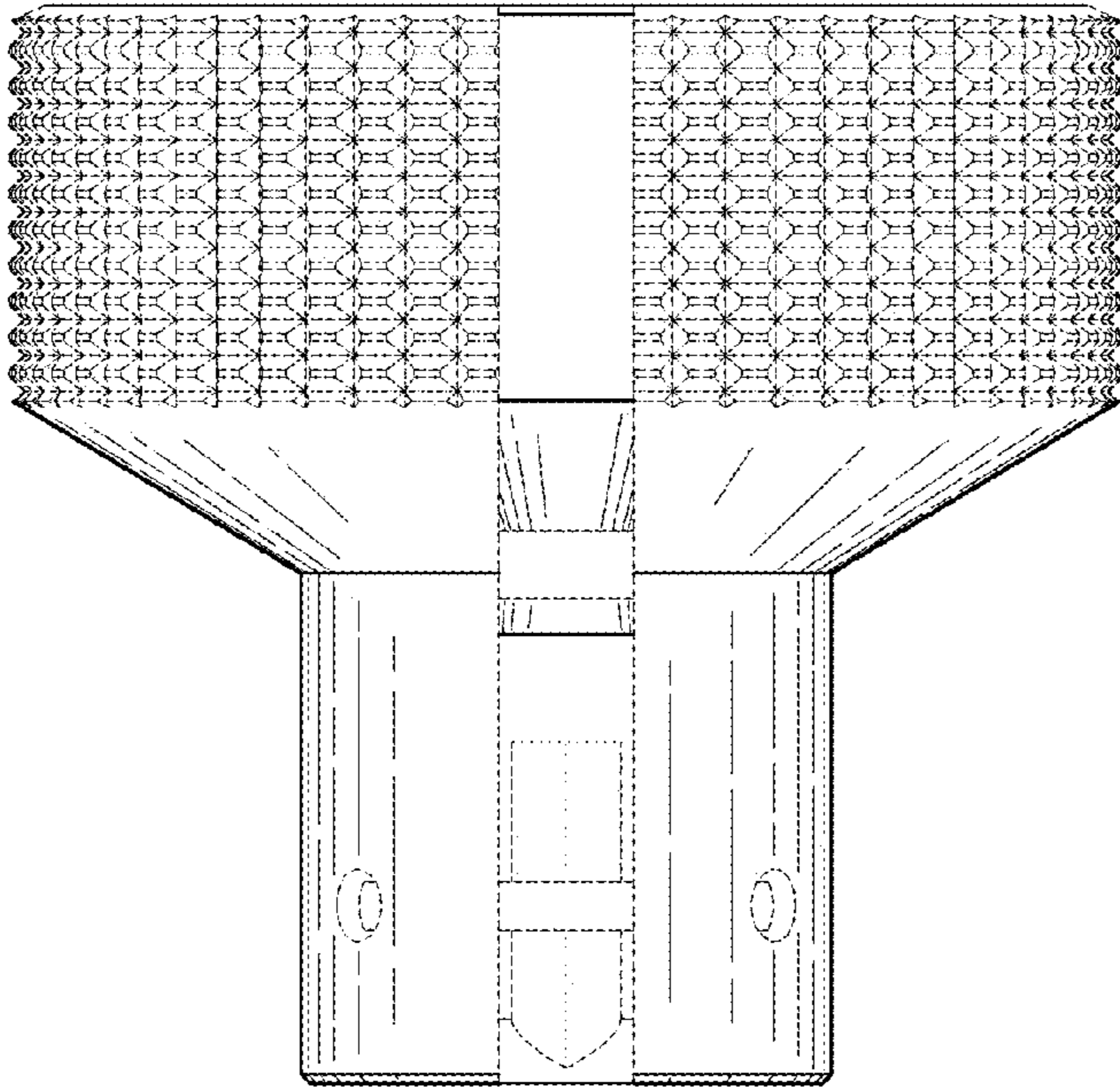




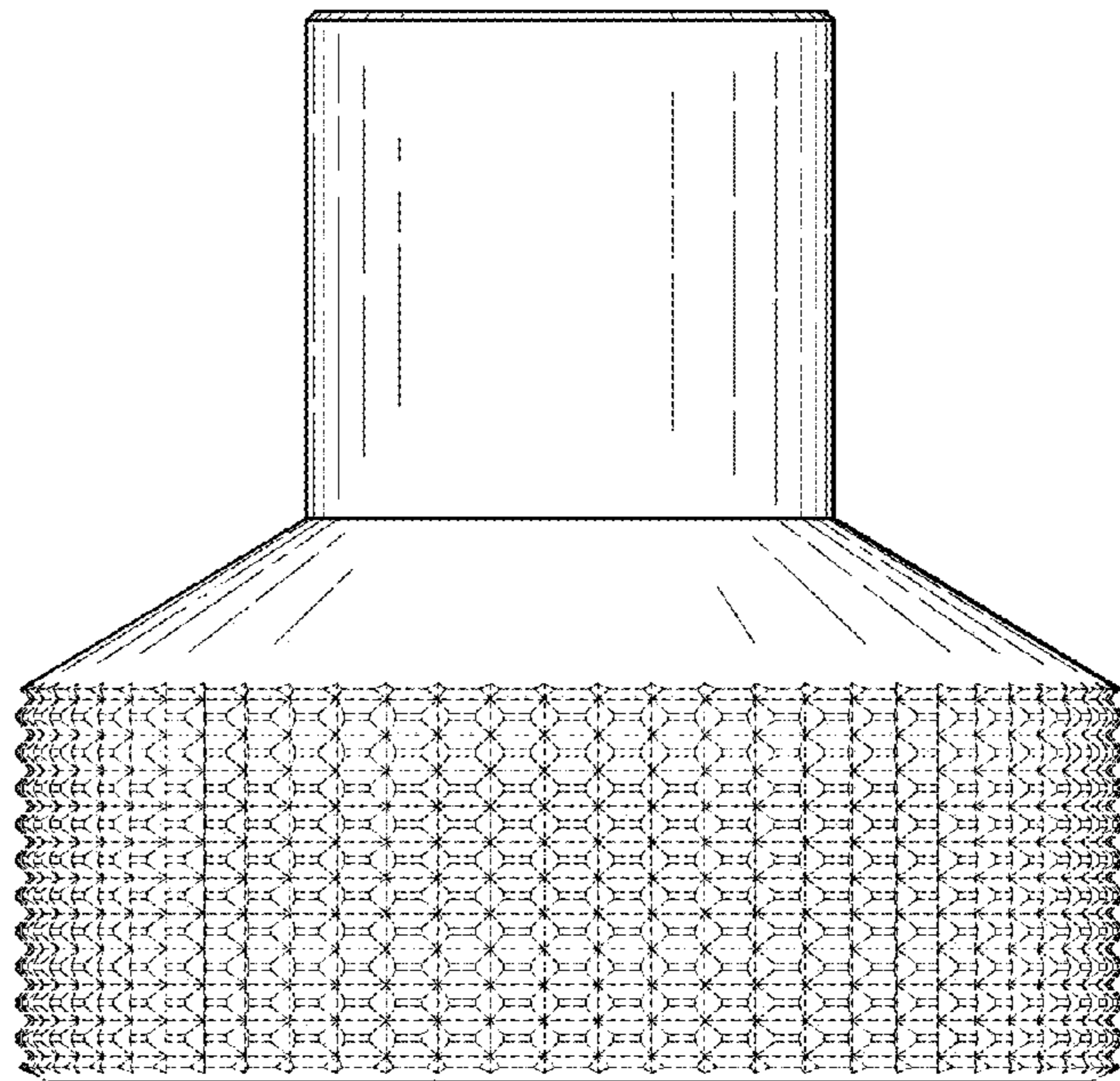
*Fig. 3.*



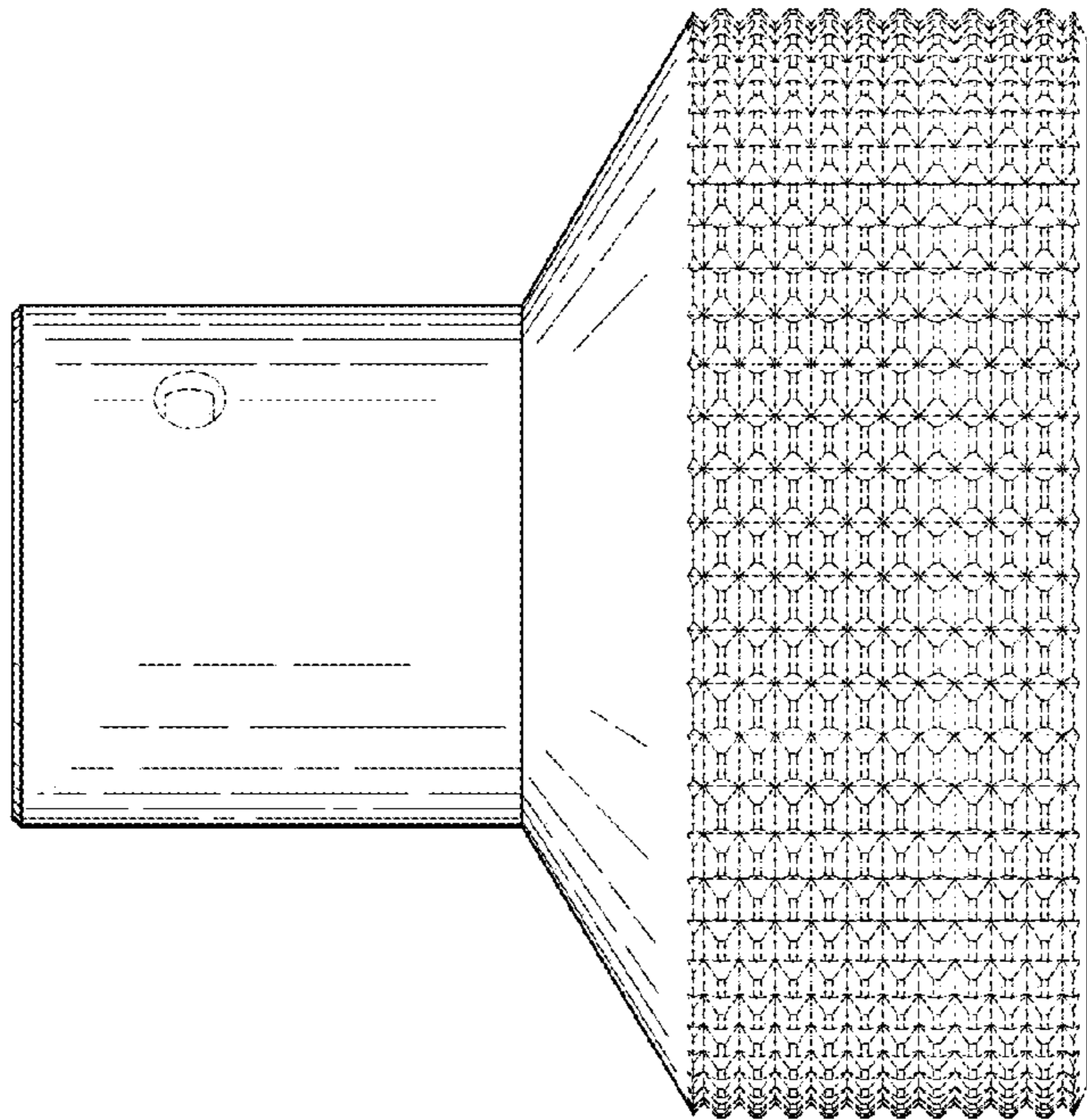
*Fig. 4.*



*Fig. 5.*



*Fig. 6.*



*Fig. 7.*

*Fig. 8.*

