



US00D766051S

(12) **United States Design Patent**
LaRiviere

(10) **Patent No.:** **US D766,051 S**

(45) **Date of Patent:** **** Sep. 13, 2016**

(54) **IN-LINE BOTTLE RACK**

(71) Applicant: **Frederic David LaRiviere**, Monterey,
CA (US)

(72) Inventor: **Frederic David LaRiviere**, Monterey,
CA (US)

(**) Term: **14 Years**

(21) Appl. No.: **29/523,838**

(22) Filed: **Apr. 14, 2015**

Related U.S. Application Data

(63) Continuation of application No. 14/253,123, filed on
Apr. 15, 2014, now abandoned.

(51) **LOC (10) Cl.** **06-04**

(52) **U.S. Cl.**
USPC **D7/701**

(58) **Field of Classification Search**
USPC D7/701-708, 600.1-600.4; D6/571,
D6/569, 553, 675.4, 677.4, 678.3, 680.2,
D6/682-682.2

CPC B67D 3/043; B67C 9/00; B01L 9/06;
A47J 47/16; A47B 88/20; A47B 73/004;
A47K 5/13; F25D 31/007

See application file for complete search history.

(56) **References Cited**

U.S. PATENT DOCUMENTS

3,286,849 A * 11/1966 Dominos B67C 9/00
141/106
3,814,293 A * 6/1974 Daves B67D 3/043
211/74

4,143,765 A * 3/1979 Moss, III B01L 9/06
206/0.83
4,378,889 A * 4/1983 Lebowitz A47J 47/16
211/74
6,129,219 A * 10/2000 Peickert A47B 88/20
211/74
6,808,149 B1 * 10/2004 Sendowski A47K 5/13
211/75
2007/0158284 A1 * 7/2007 Felder A47B 73/004
211/74
2013/0162133 A1 * 6/2013 Arslankiray F25D 31/007
312/405

* cited by examiner

Primary Examiner — Terry Wallace

(74) *Attorney, Agent, or Firm* — LaRiviere, Grubman PC

(57) **CLAIM**

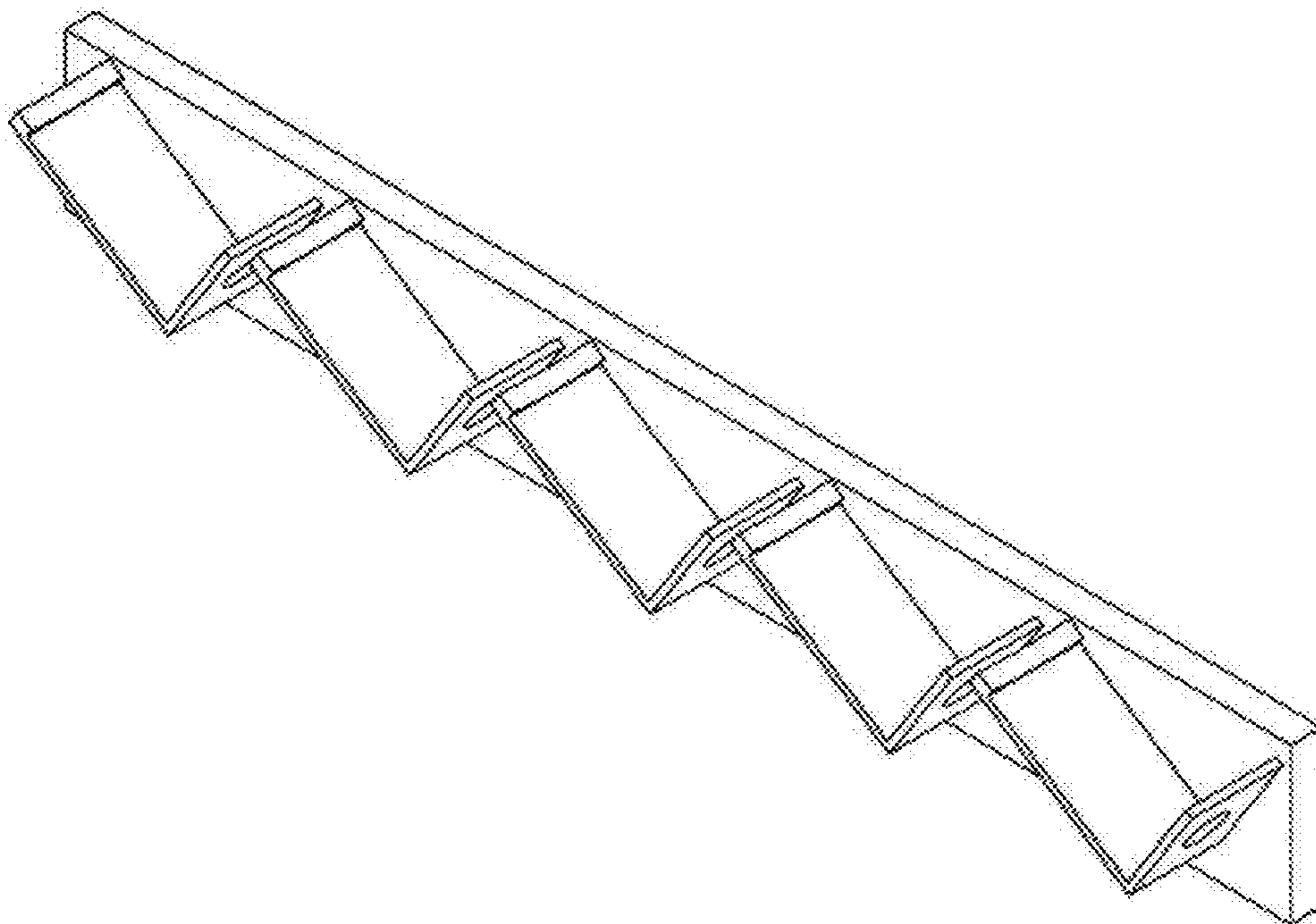
The ornamental design for an in-line bottle rack, as shown
and described.

DESCRIPTION

FIG. 1 is a perspective view of a in-line bottle rack showing
my design;
FIG. 2 is a perspective view of the in-line bottle rack of FIG.
1, in use condition;
FIG. 3 is a front view thereof;
FIG. 4 is a rear view thereof;
FIG. 5 is an end view thereof;
FIG. 6 is an opposing end view thereof;
FIG. 7 is a top view thereof; and,
FIG. 8 is a bottom view thereof.

The broken lines showing the environment are for illustra-
tive purposes only and form no part of the claimed design.

1 Claim, 5 Drawing Sheets



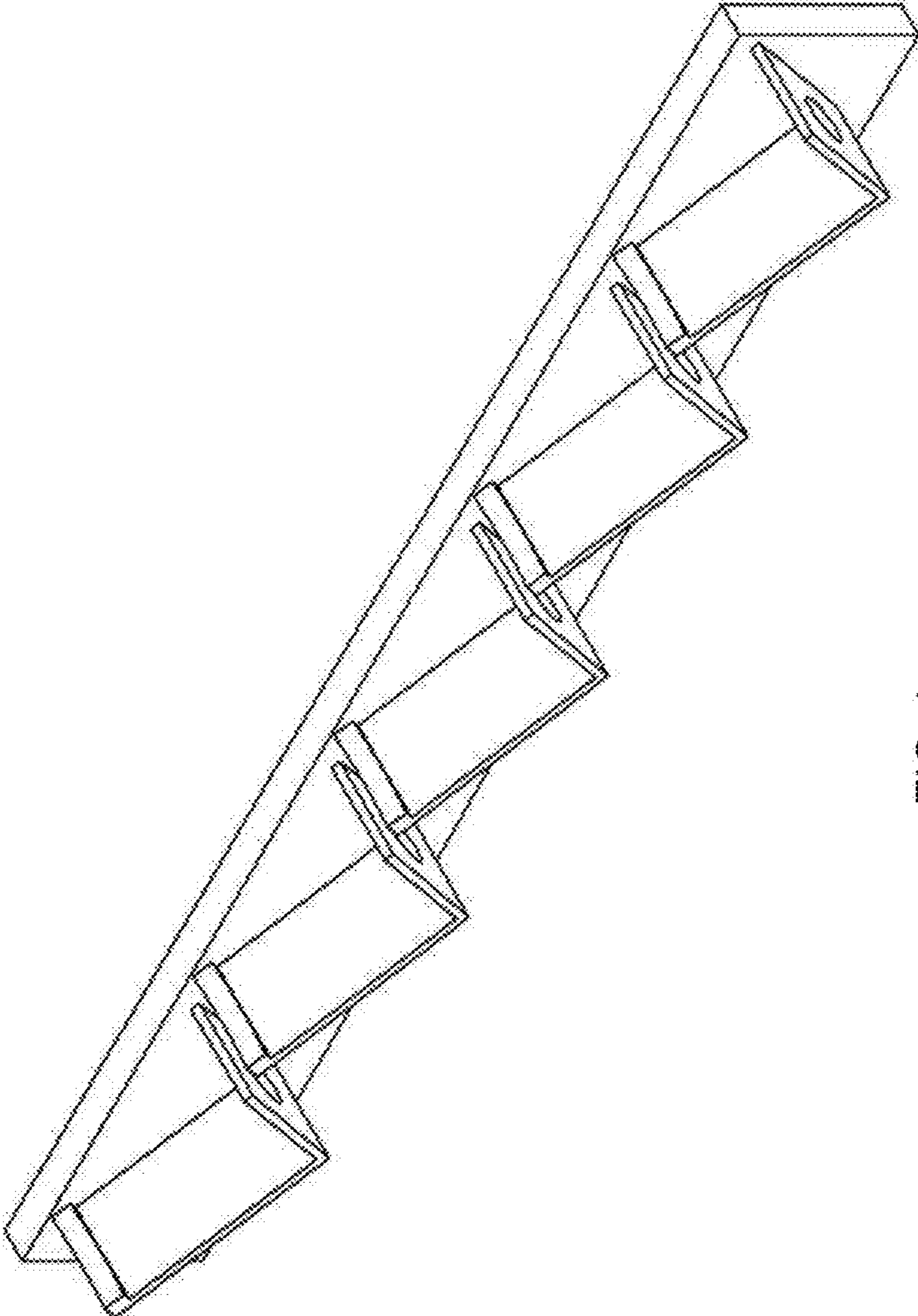


FIG. 1

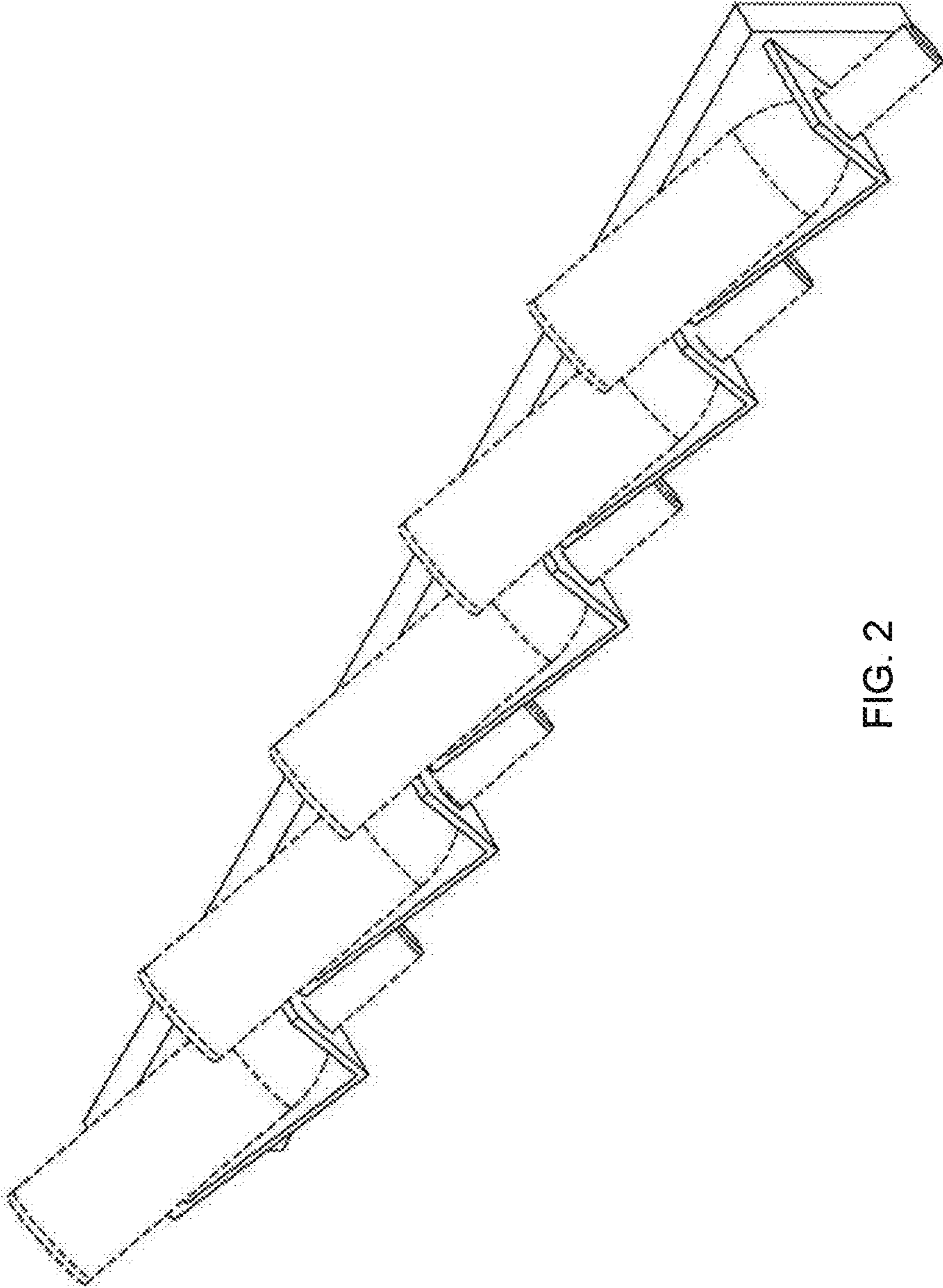


FIG. 2

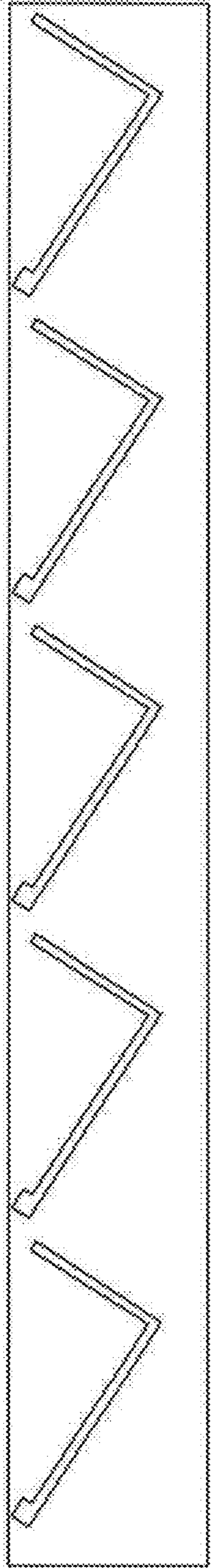


FIG. 3

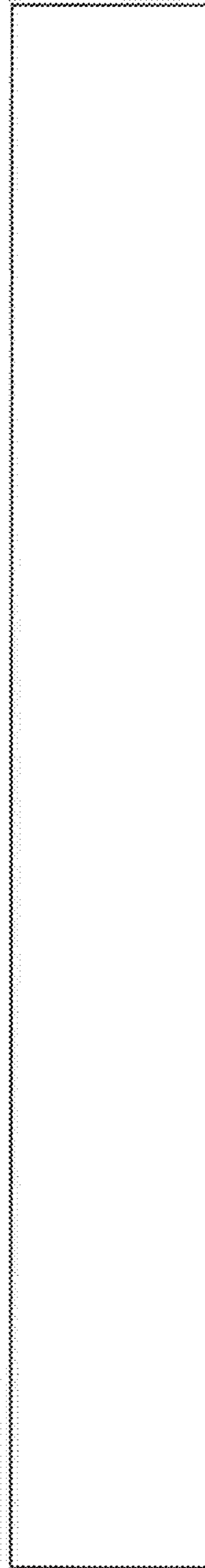


FIG. 4

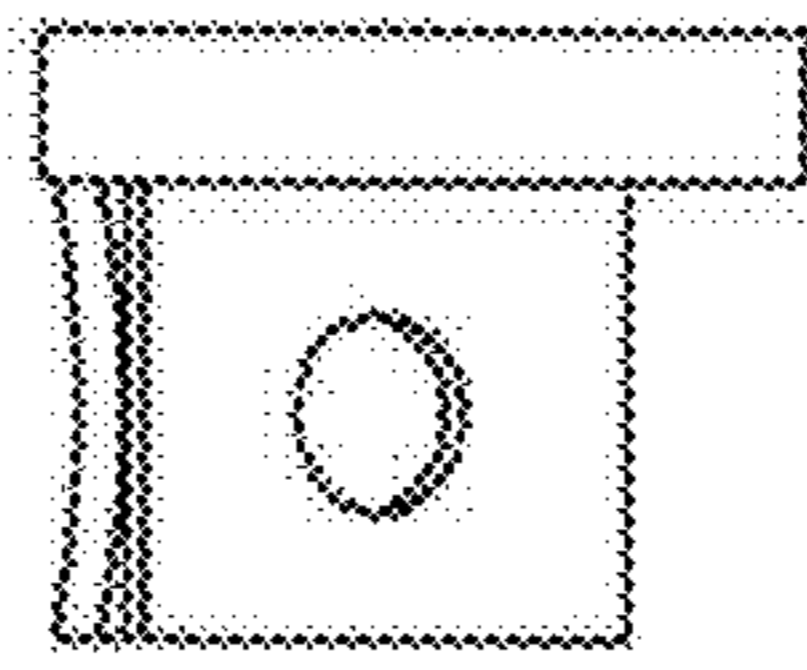


FIG. 6

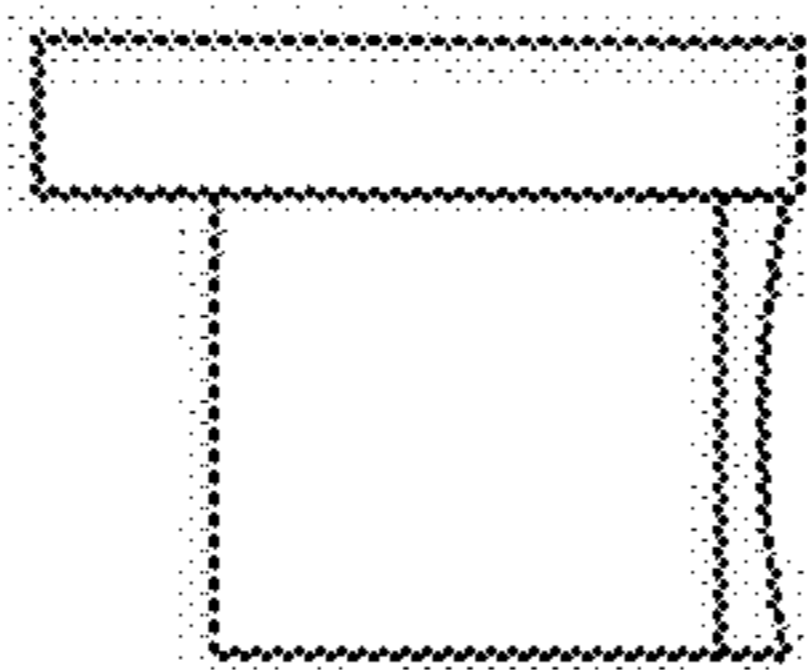


FIG. 5

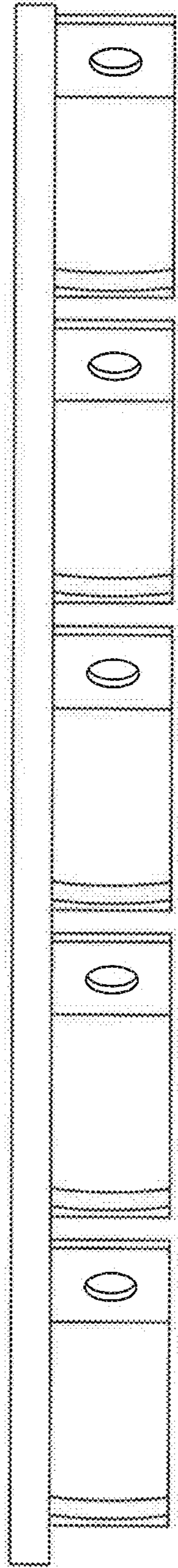


FIG. 7

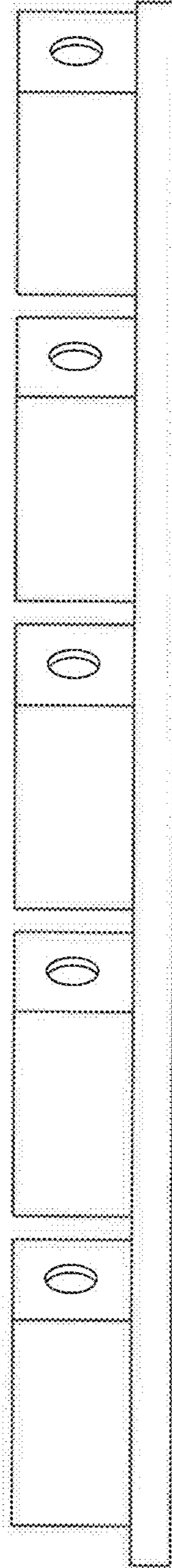


FIG. 8