

US00D766050S

(12) **United States Design Patent** (10) **Patent No.:** **US D766,050 S**
Inoue (45) **Date of Patent:** **** Sep. 13, 2016**

(54) **LID FOR A CONTAINER** 3,834,437 A * 9/1974 Swett A23G 9/221
249/139
(71) Applicant: **Akagi Nyugyo Co., Ltd.**, Fukaya-shi, 4,548,349 A * 10/1985 Tunberg A47G 23/0216
Saitama (JP) 220/737
4,797,295 A * 1/1989 Franco A23G 3/0268
249/59
(72) Inventor: **Sota Inoue**, Fukaya (JP) D376,731 S * 12/1996 Lin D7/529
5,626,897 A * 5/1997 Goldstein A21B 5/026
426/138
(73) Assignee: **AKAGI NYUGYO CO., LTD.**, 5,979,695 A * 11/1999 Valls B65D 85/78
Fukaya-Shi (JP) 220/666
D431,760 S * 10/2000 Sullivan D7/672
D575,118 S * 8/2008 Bignon D7/672

(21) Appl. No.: **29/524,991**
(22) Filed: **Apr. 24, 2015**

Related U.S. Application Data

(63) Continuation of application No. 29/495,191, filed on Jun. 27, 2014.

Foreign Application Priority Data

Dec. 27, 2013 (JP) 2013-030708

(51) **LOC (10) Cl.** **07-04**

(52) **U.S. Cl.**
USPC **D7/677**

(58) **Field of Classification Search**
USPC D7/672-677, 368, 359
CPC A47J 43/20; A23G 9/221; A23G 9/04;
A23G 9/083; A23G 9/045; A23G 9/00;
A23G 3/0268; B65D 51/18; B65D 51/28;
B65D 85/78; B65D 2251/0018; B65D
2251/0081
See application file for complete search history.

References Cited

U.S. PATENT DOCUMENTS

1,280,422 A * 10/1918 Dieterich A23G 9/04
425/441
3,296,822 A * 1/1967 Gram A23G 9/083
249/121
3,576,113 A * 4/1971 Swett A47J 43/20
626/71

FOREIGN PATENT DOCUMENTS

JP 10-117692 A 5/1998
JP 2590743 Y2 2/1999
JP 1070275 S 5/2000
JP 1137918 S 4/2002
JP 2007-76709 A 3/2007

* cited by examiner

Primary Examiner — Terry Wallace

(74) *Attorney, Agent, or Firm* — Birch, Stewart, Kolasch & Birch, LLP

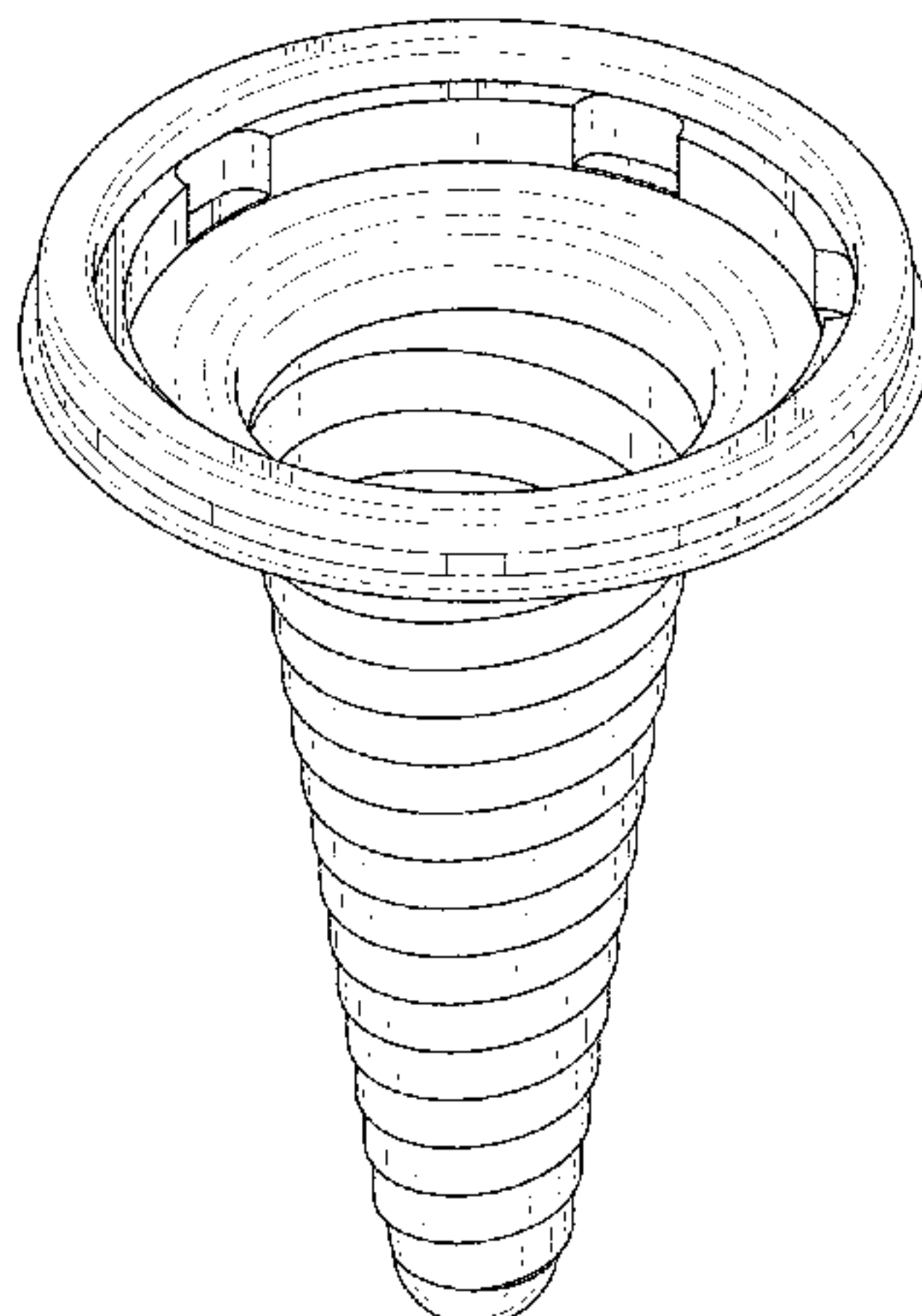
(57) **CLAIM**

The ornamental design for a lid for a container, as shown and described.

DESCRIPTION

FIG. 1 is a perspective view of the lid for a container showing my new design;
FIG. 2 is a front view thereof;
FIG. 3 is a left side view thereof;
FIG. 4 is a rear view thereof;
FIG. 5 is a right side view thereof;
FIG. 6 is a top view thereof;
FIG. 7 is a bottom view thereof;
FIG. 8 is a section view taken along line 8-8 of FIG. 6; and,
FIG. 9 is an environmental view showing the lid for a container that is in use with a container main body.
The broken lines illustrated in drawings form no part of the claimed design.

1 Claim, 9 Drawing Sheets



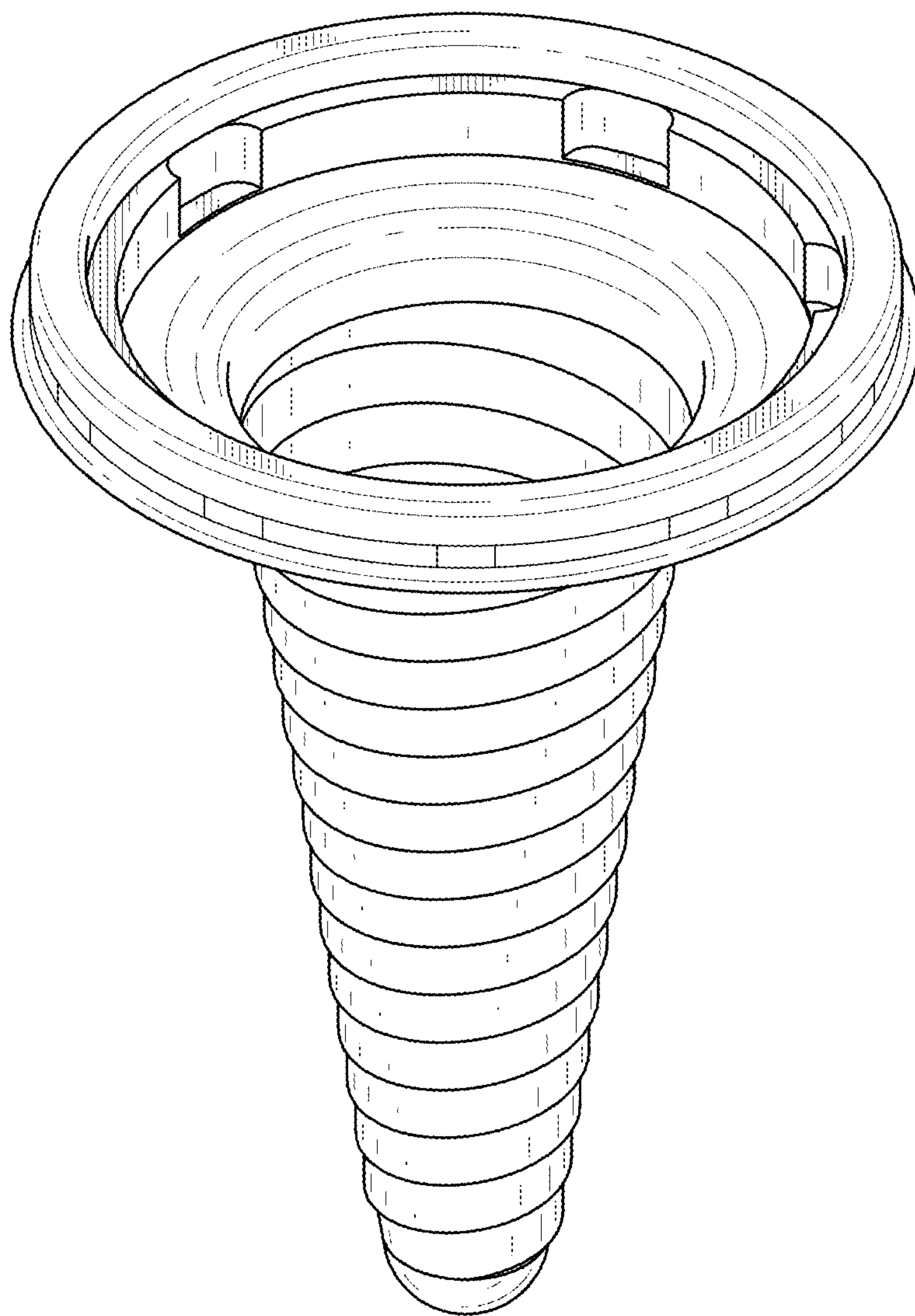


FIG.1

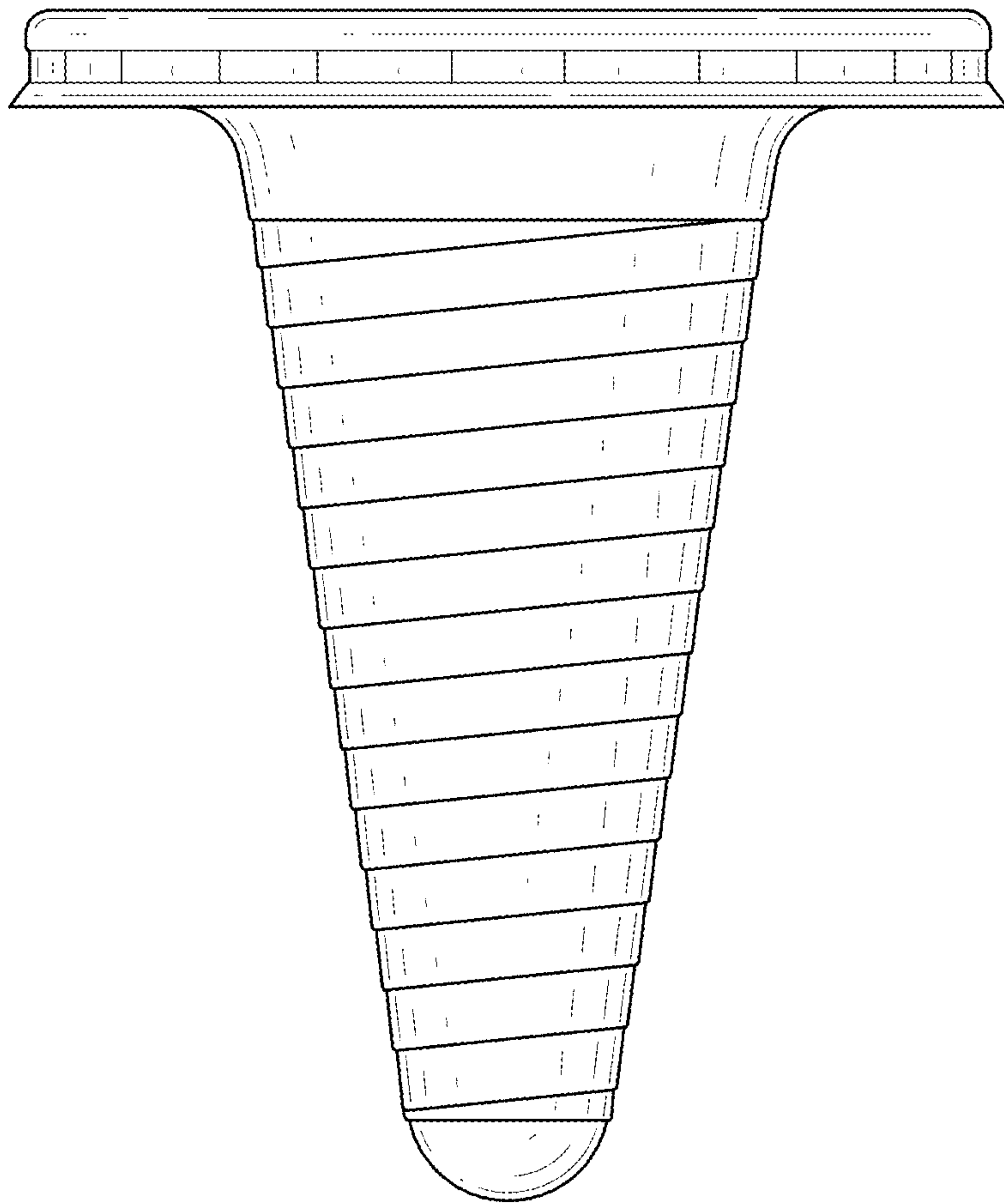


FIG.2

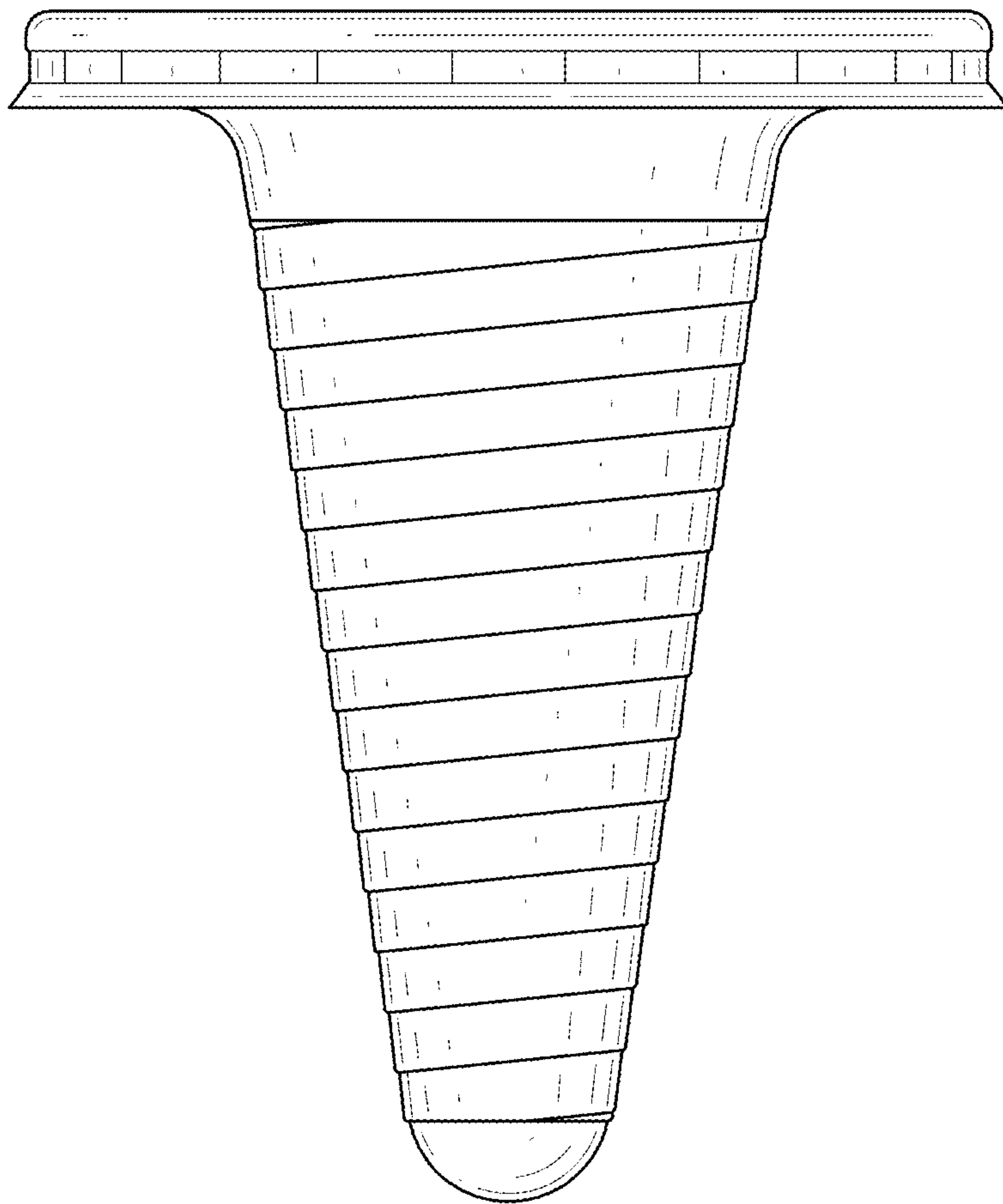


FIG.3

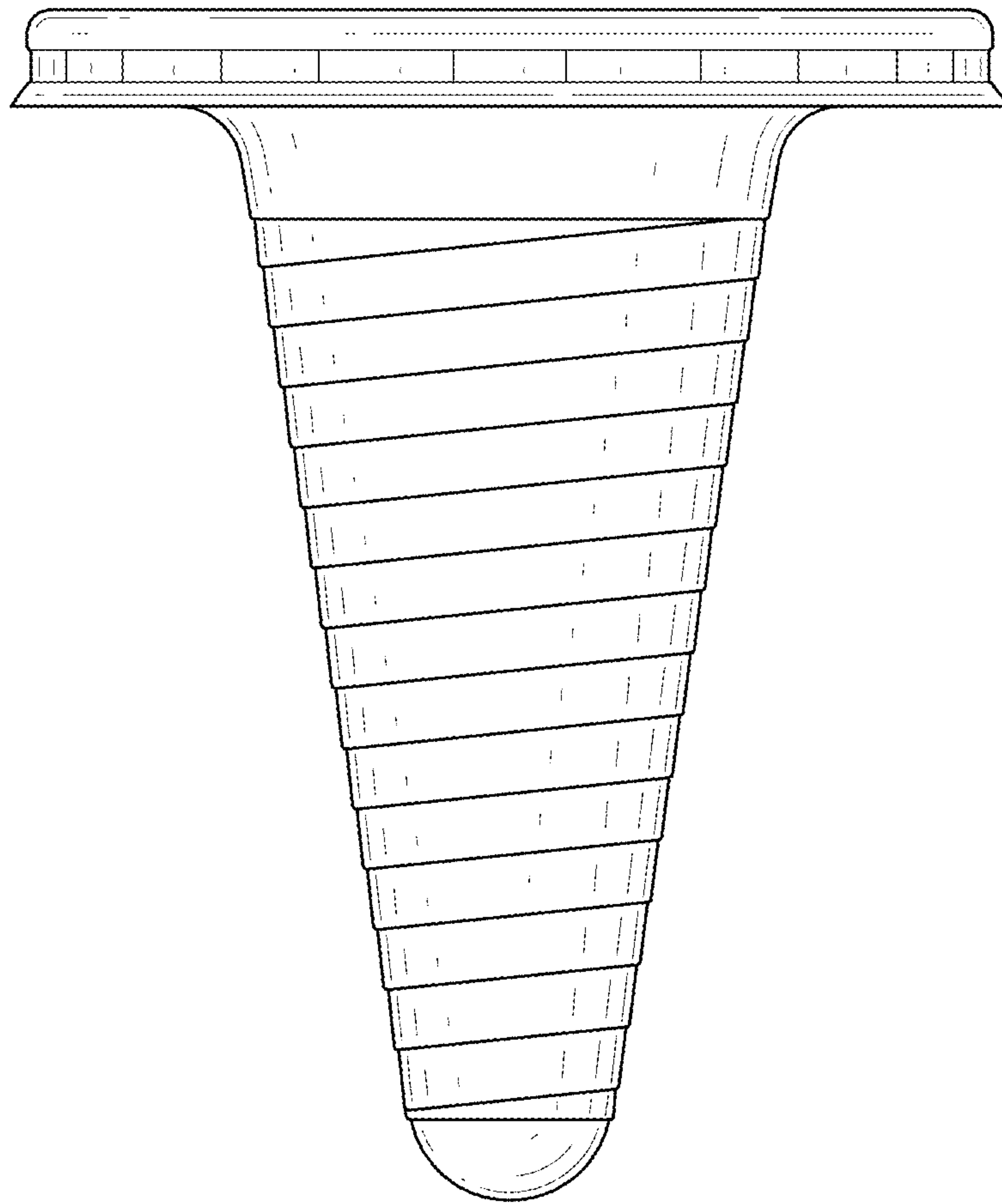


FIG.4

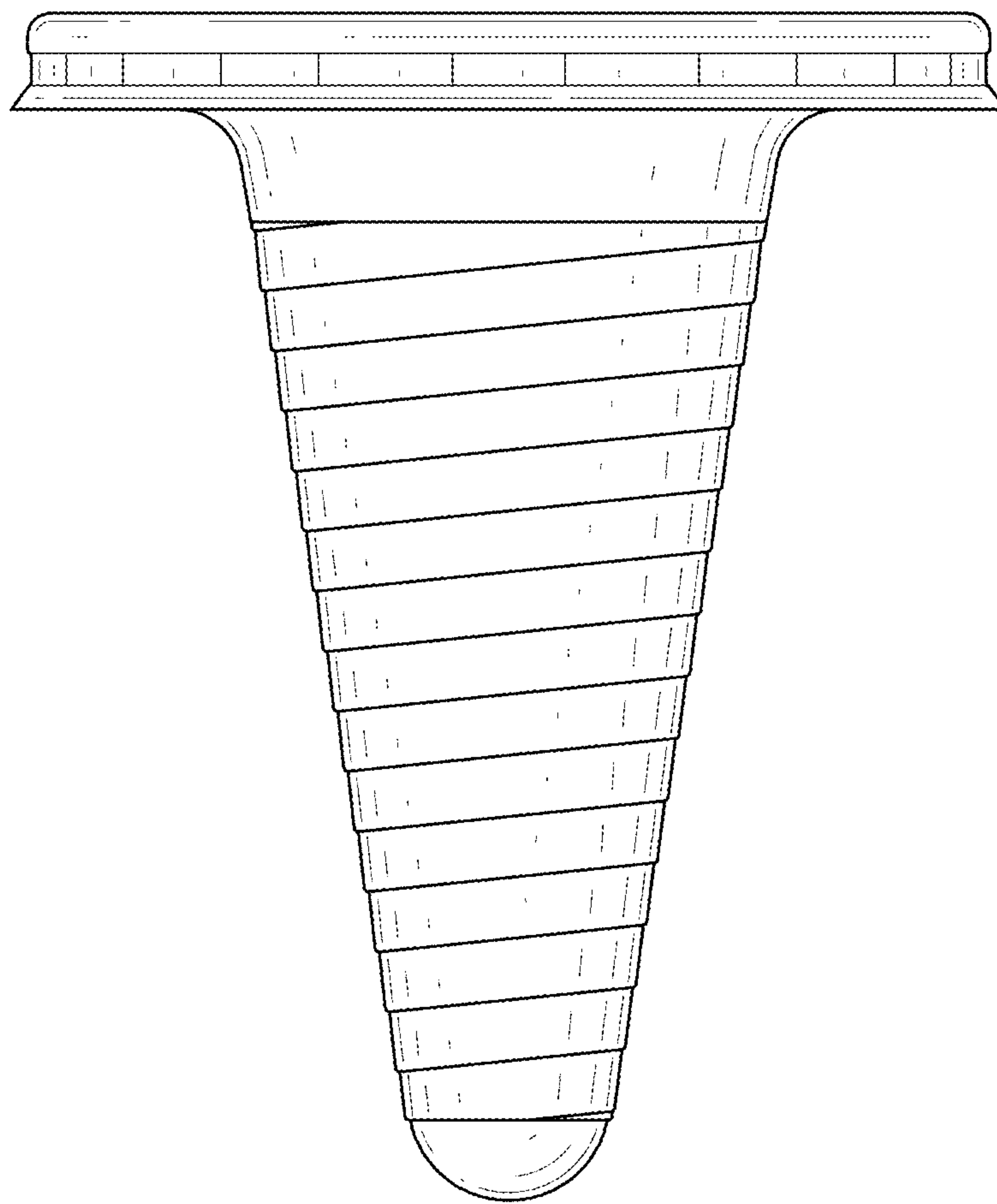


FIG.5

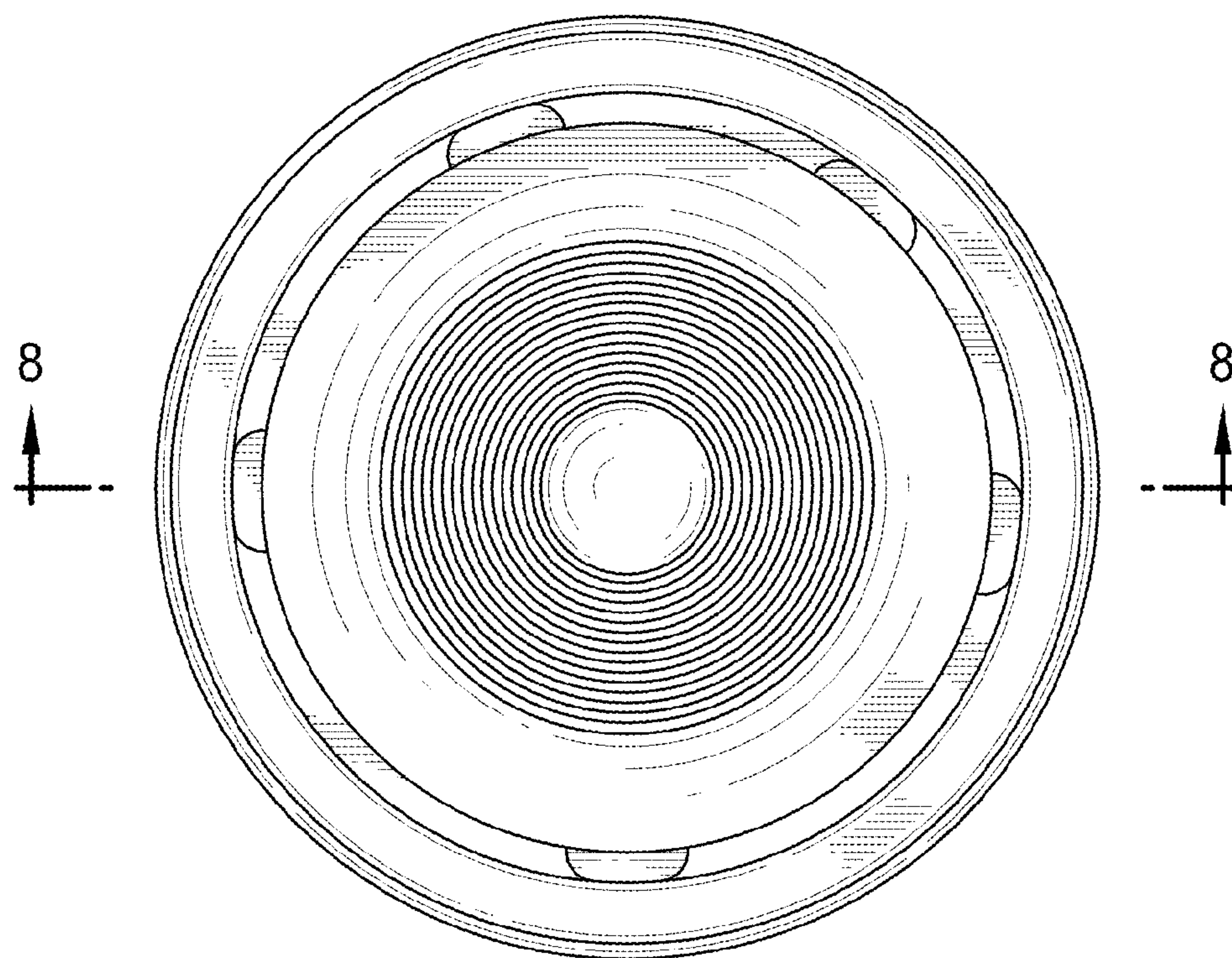


FIG.6

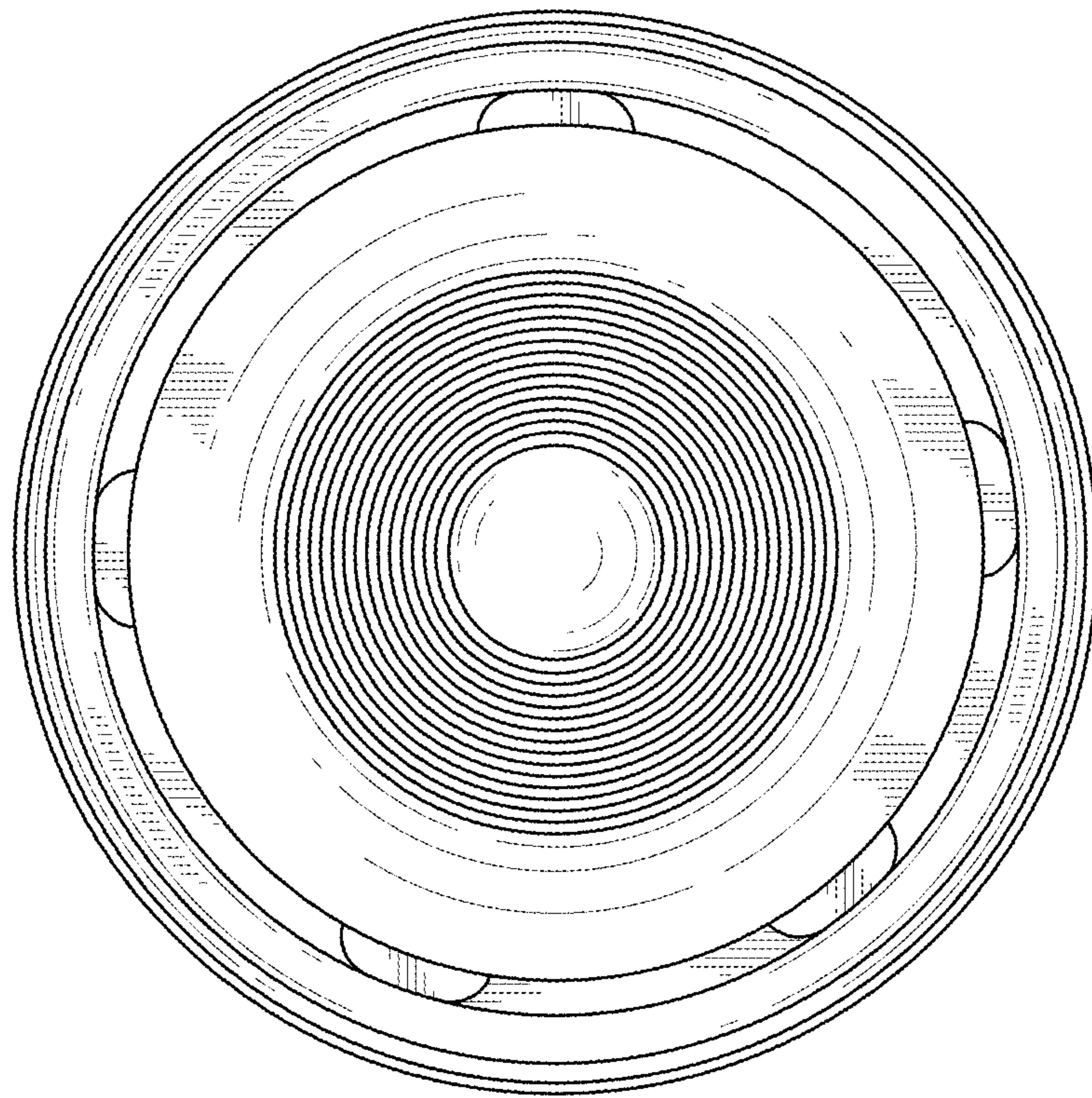


FIG.7

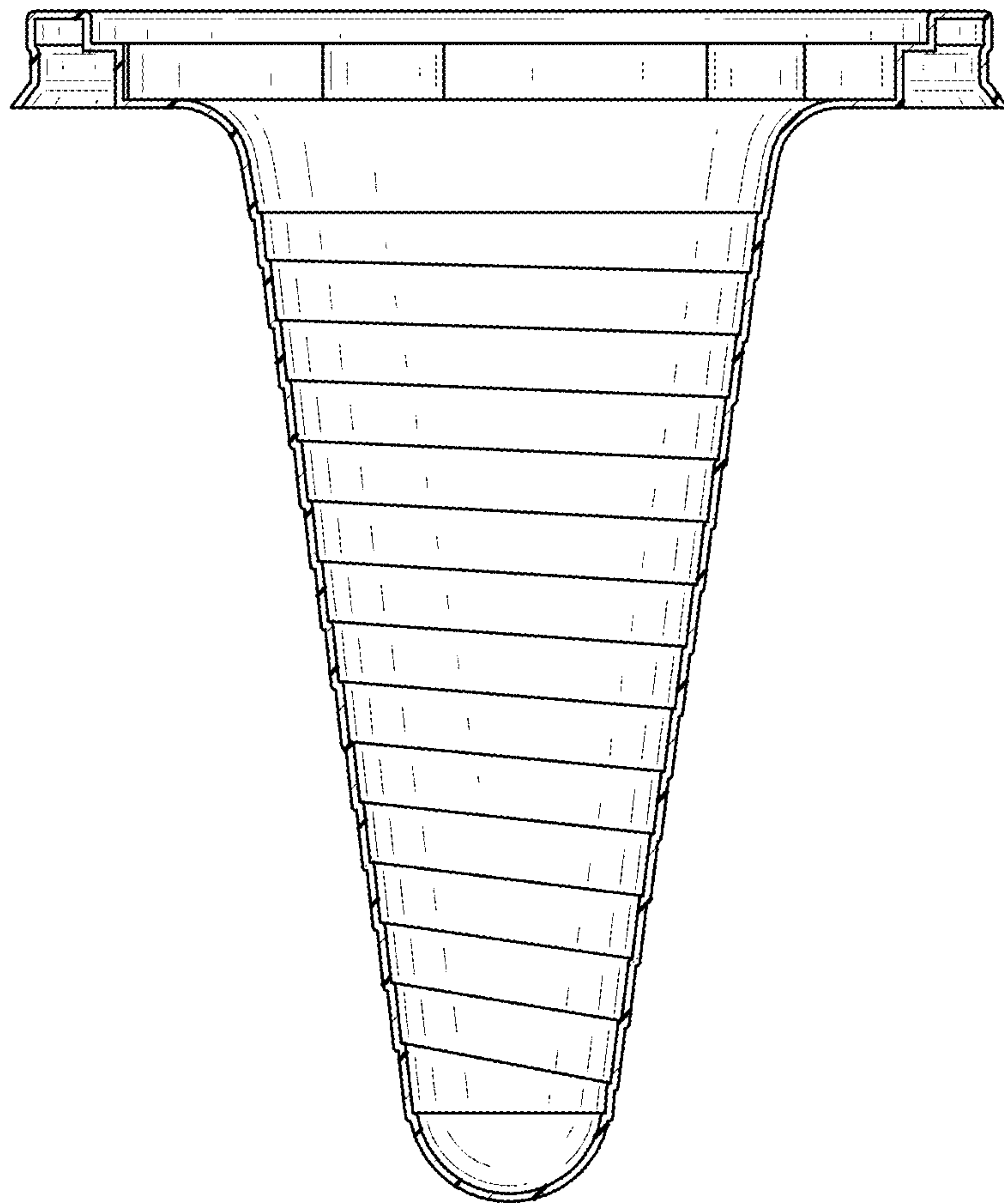


FIG.8

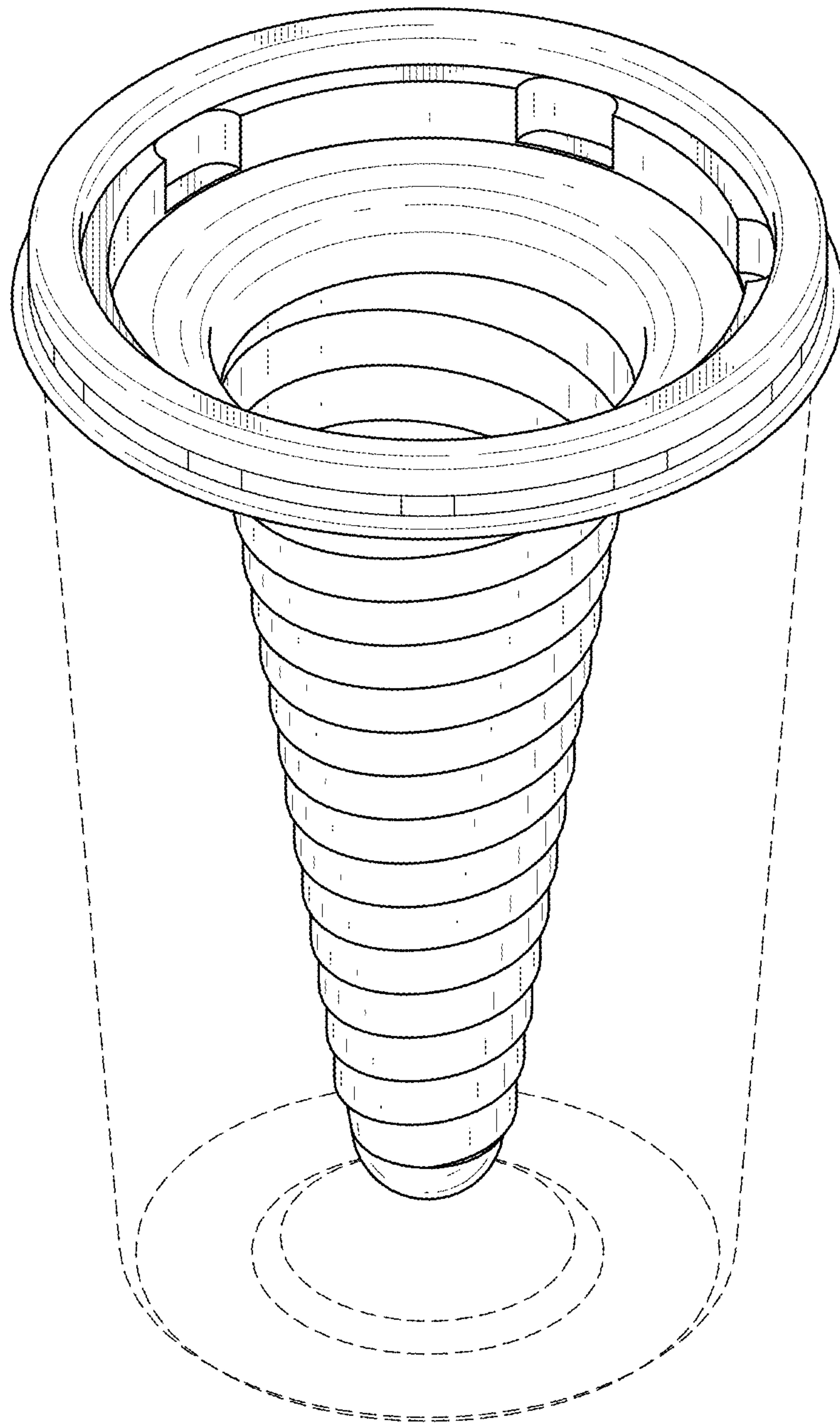


FIG.9