

US00D766038S

(12) **United States Design Patent** (10) **Patent No.:** **US D766,038 S**
Dimino (45) **Date of Patent:** **** Sep. 13, 2016**

(54) **KEYBOARD WAFFLE IRON PLATE**

(71) Applicant: **Christopher Dimino**, Brooklyn, NY
(US)

(72) Inventor: **Christopher Dimino**, Brooklyn, NY
(US)

(**) Term: **14 Years**

(21) Appl. No.: **29/520,046**

(22) Filed: **Mar. 10, 2015**

(51) **LOC (10) Cl.** **07-02**

(52) **U.S. Cl.**
USPC **D7/410; D7/352; D7/409**

(58) **Field of Classification Search**
USPC D7/323, 328–330, 337, 347, 352–364,
D7/367, 402, 409–411; D14/391, 396
CPC A21B 5/023; A47J 27/60; A47J 27/62;
A47J 37/04; A47J 37/06; A47J 37/067;
A47J 37/0605; A47J 37/0611; A47J 37/0623;
A47J 37/0629; A47J 37/0676; A47J 2037/06;
A47J 2037/0611; F24C 15/10; F24C 15/102;
G05D 23/1951; H05B 6/02; H05B 6/062
See application file for complete search history.

D235,610 S * 7/1975 Giguere D7/352
D266,306 S * 9/1982 Ansel D7/352
D322,245 S * 12/1991 Lin D14/396
D367,994 S * 3/1996 Bloom D7/352
D529,503 S * 10/2006 Davis D14/391
D543,073 S * 5/2007 Rich D7/410
D589,294 S * 3/2009 Averty D7/356
D687,676 S * 8/2013 Engler D7/352
D752,387 S * 3/2016 DEsposito D7/352
2006/0201333 A1 * 9/2006 Friel G05D 23/1951
99/372

* cited by examiner

Primary Examiner — Ricky Pham
(74) *Attorney, Agent, or Firm* — Dunlap Bennett & Ludwig
PLLC

(57) **CLAIM**
The ornamental design for a keyboard waffle iron plate, as
shown and described.

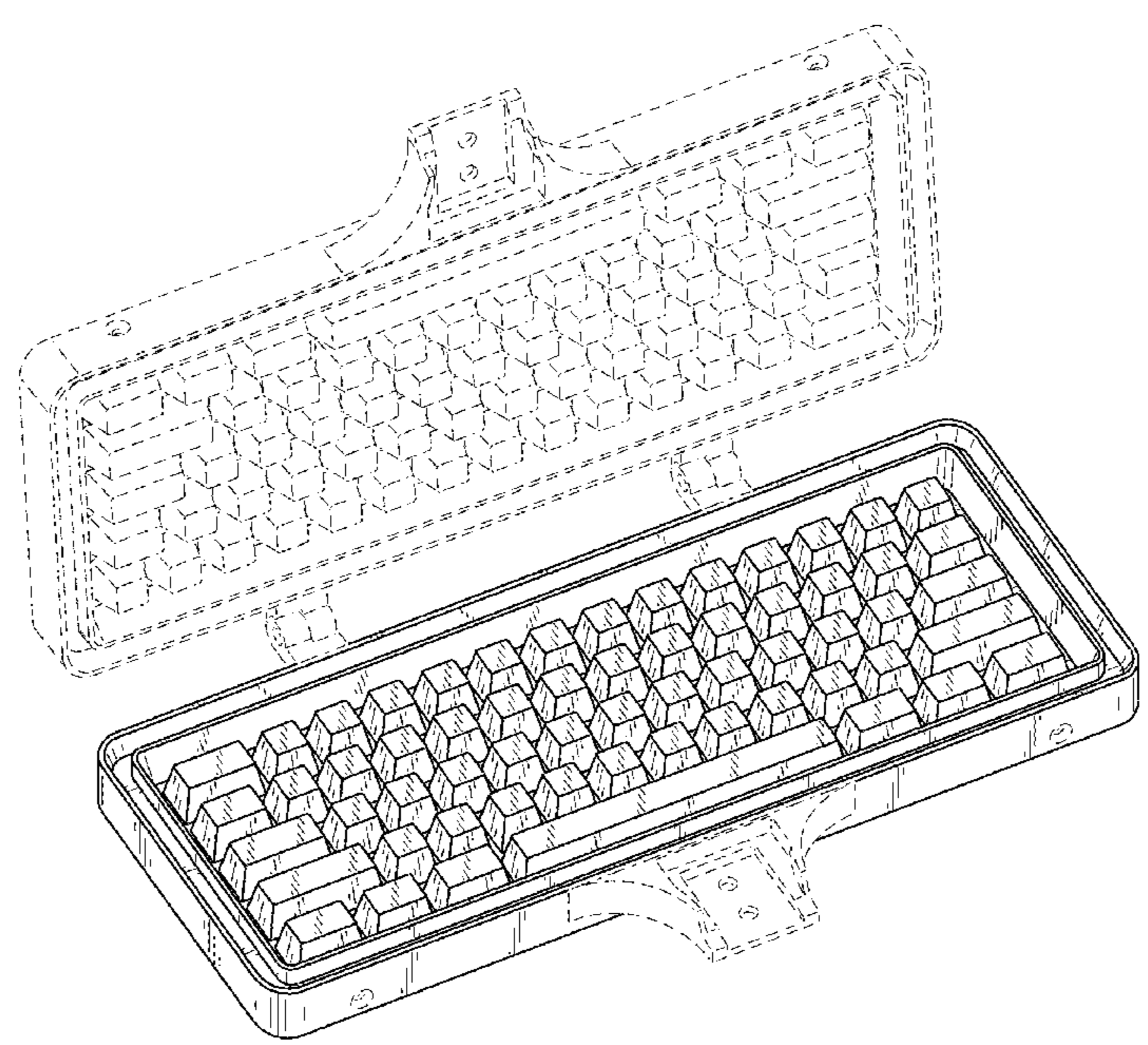
DESCRIPTION

FIG. 1 is a perspective view of a keyboard waffle iron plate;
FIG. 2 is a front elevation view thereof;
FIG. 3 is a rear elevation view thereof;
FIG. 4 is a left side elevation view thereof;
FIG. 5 is a right side elevation view thereof;
FIG. 6 is a top plan view thereof; and,
FIG. 7 is a bottom plan view thereof.
The broken lines shown in the drawings illustrate portions of
the keyboard waffle iron plate that form no part of the
claimed design.

(56) **References Cited**
U.S. PATENT DOCUMENTS

D204,580 S * 4/1966 Cornwell D7/352
D223,006 S * 2/1972 Price D7/352

1 Claim, 3 Drawing Sheets



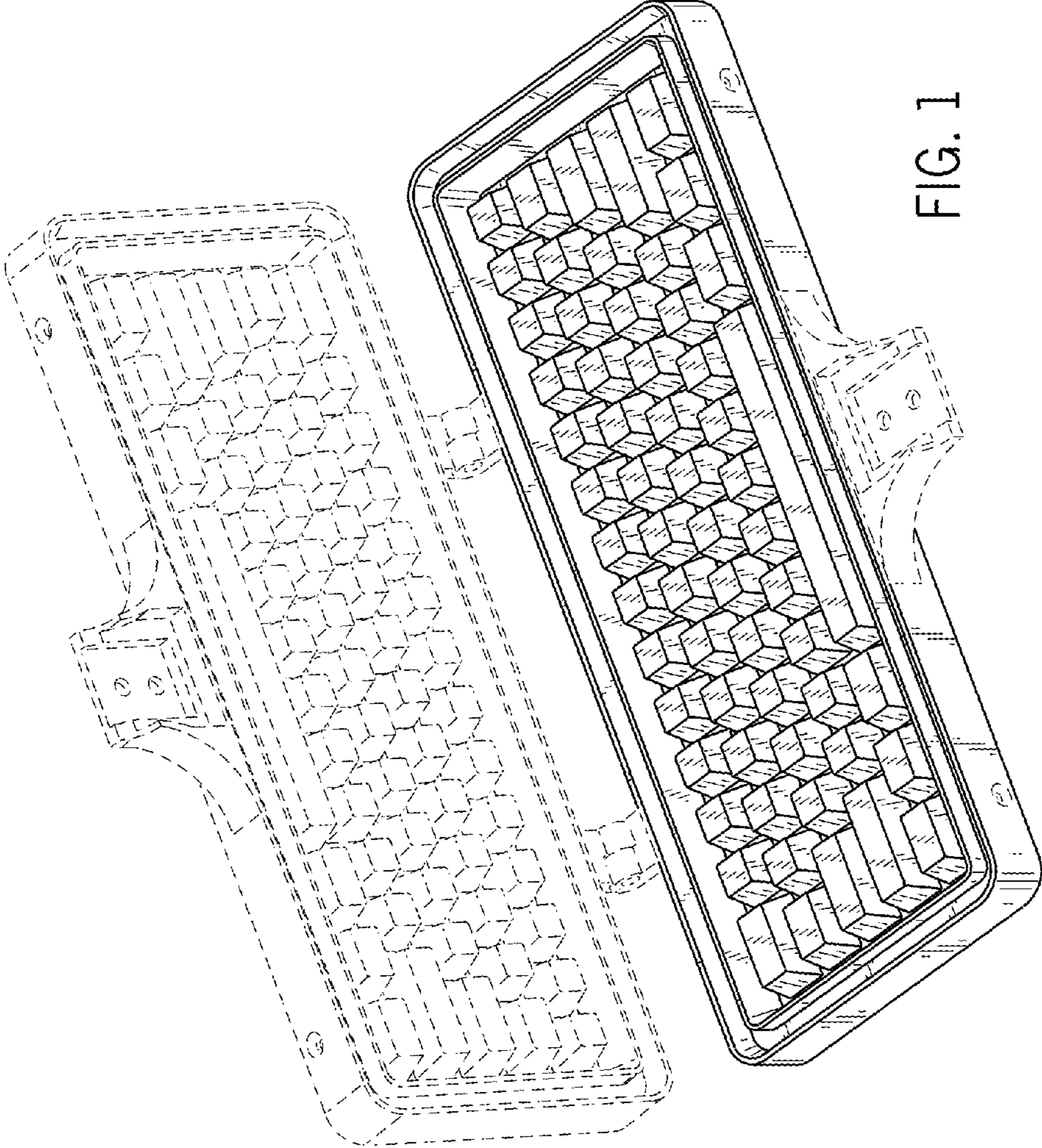


FIG. 1

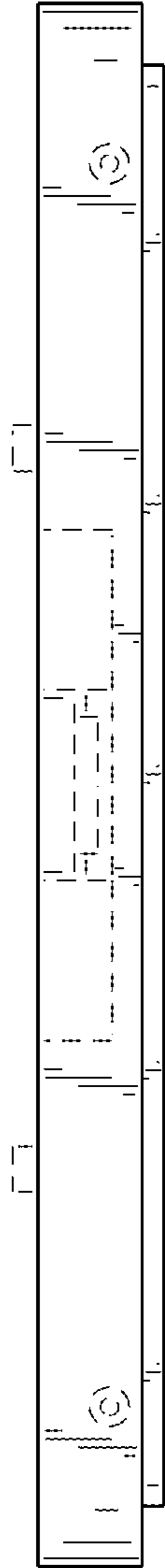


FIG. 2

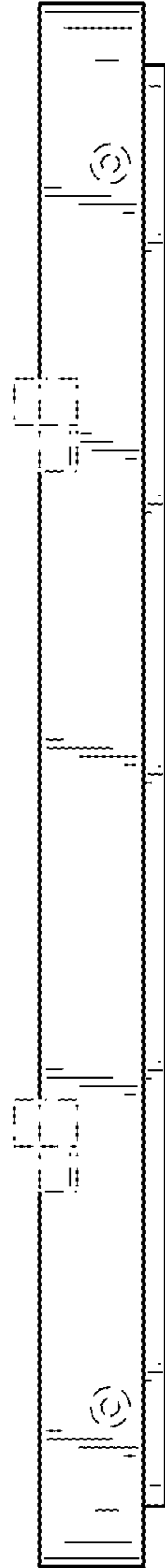


FIG. 3



FIG. 4

FIG. 5

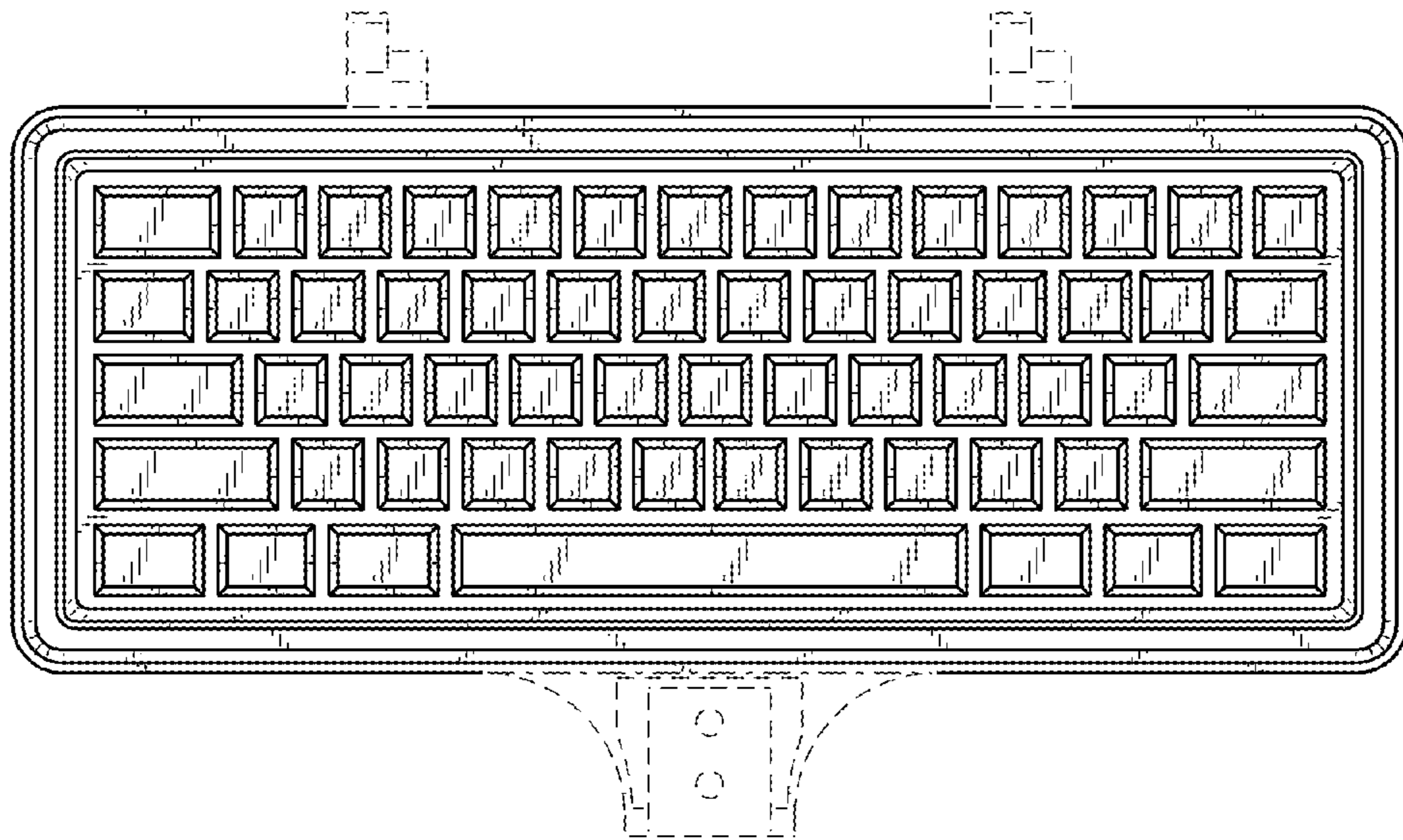


FIG. 6

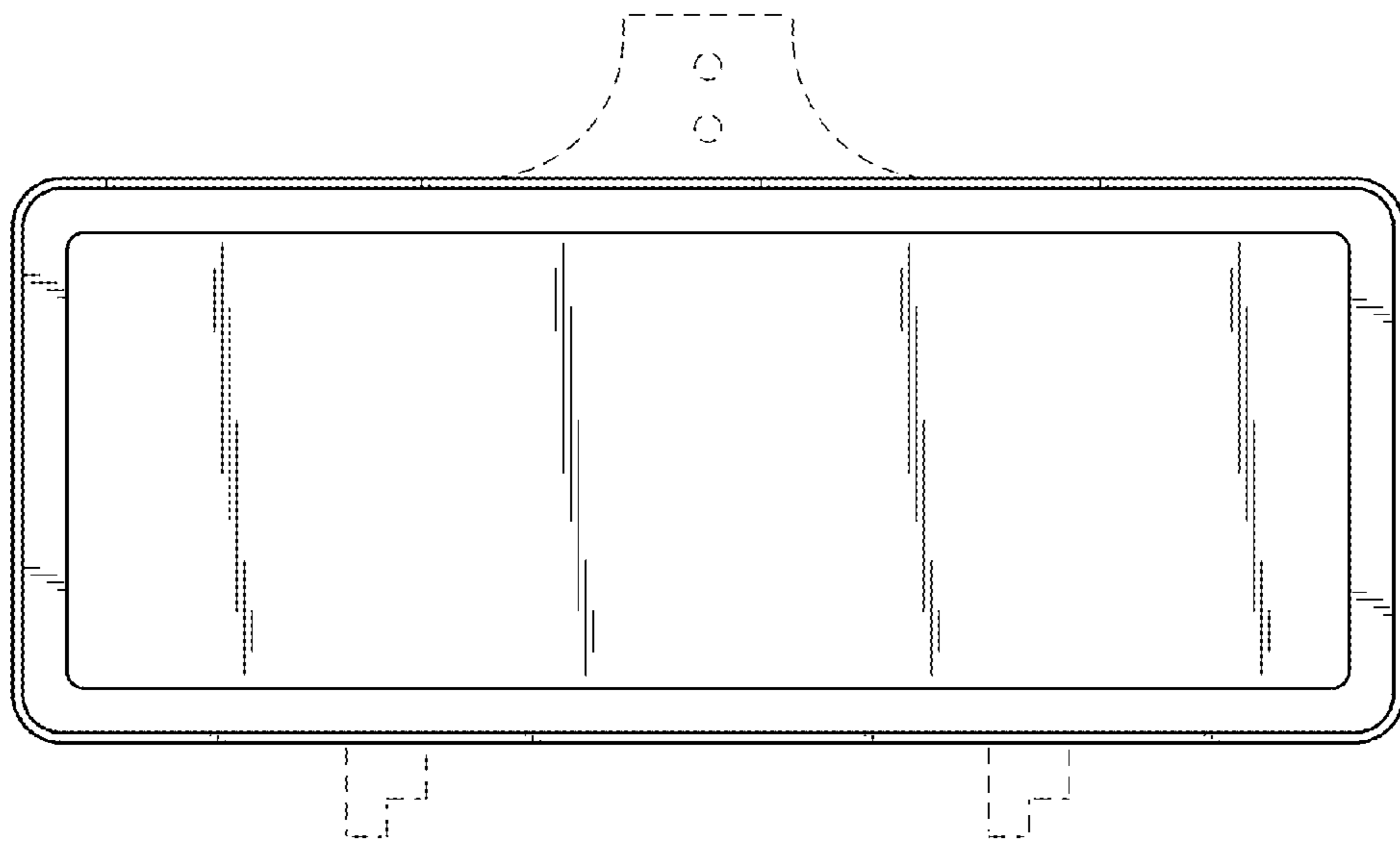


FIG. 7