



US00D766037S

(12) **United States Design Patent** (10) **Patent No.:** **US D766,037 S**  
**Johnston** (45) **Date of Patent:** **\*\* Sep. 13, 2016**

(54) **COOKING GRATE WITH EXTENDED HANDLES**  
(71) Applicant: **Landmann USA**, Fairburn, GA (US)  
(72) Inventor: **Todd Johnston**, Fairburn, GA (US)  
(73) Assignee: **LANDMANN USA**, Fairburn, GA (US)  
(\*\*) Term: **14 Years**

D287,091 S \* 12/1986 Elliston ..... D7/337  
5,558,008 A \* 9/1996 Jenkins ..... A47J 37/0786  
126/25 R  
D382,765 S \* 8/1997 Kellermann ..... D7/332  
5,819,718 A \* 10/1998 Leiser ..... A47J 33/00  
126/30  
5,964,212 A \* 10/1999 Thompson ..... A47J 37/0745  
126/25 R  
D623,014 S \* 9/2010 Alden ..... D7/409  
D716,609 S \* 11/2014 Greer ..... D7/409  
2014/0130788 A1 \* 5/2014 Contarino, Jr. .... A47J 37/0786  
126/25 R

(21) Appl. No.: **29/507,688**

\* cited by examiner

(22) Filed: **Nov. 10, 2014**

*Primary Examiner* — Susan Bennett Hattan

(51) **LOC (10) Cl.** ..... **07-02**

*Assistant Examiner* — Brett Miller

(52) **U.S. Cl.**  
USPC ..... **D7/409**

(74) *Attorney, Agent, or Firm* — McClure, Qualey & Rodack, LLP

(58) **Field of Classification Search**  
USPC ..... D7/332–351, 362–367, 402–409;  
99/449, 340; 126/25 R, 9 B, 30, 9 R  
CPC ..... A47J 37/0763; A47J 37/0786; A47J  
37/0704; A47J 37/07; A47J 33/00; F24C  
15/16

(57) **CLAIM**  
The ornamental design for a cooking grate with extended handles, as shown and described.

See application file for complete search history.

**DESCRIPTION**

(56) **References Cited**

U.S. PATENT DOCUMENTS

2,768,042 A \* 10/1956 Persinger ..... A47B 1/00  
126/25 R  
3,511,222 A \* 5/1970 Miller ..... A47J 37/0763  
126/25 A  
3,800,777 A \* 4/1974 Gebien ..... A47J 37/0704  
126/25 R  
3,937,138 A \* 2/1976 Tidwell ..... A47J 37/067  
126/25 R  
4,434,780 A \* 3/1984 Hepner ..... A47J 37/0763  
126/25 R

FIG. 1 is a perspective view of my new design for a cooking grate with extended handles, shown here installed in a barbecue grill;  
FIG. 2 is a top plan view thereof;  
FIG. 3 is a bottom plan view thereof;  
FIG. 4 is a right side elevational view thereof, the left side being a mirror image thereof; and,  
FIG. 5 is a front elevational view thereof, the rear being a mirror image thereof.  
The broken lines depict unclaimed environment and form no part of the claimed design.

**1 Claim, 3 Drawing Sheets**

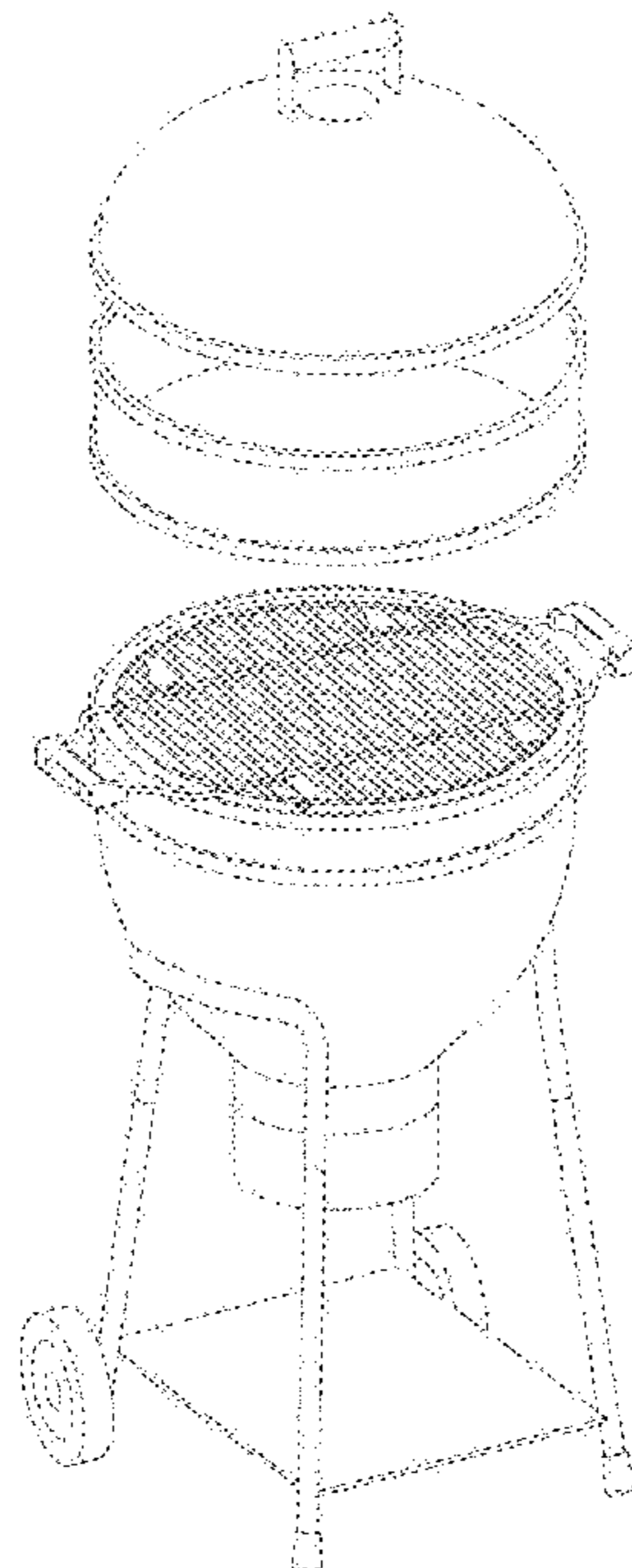
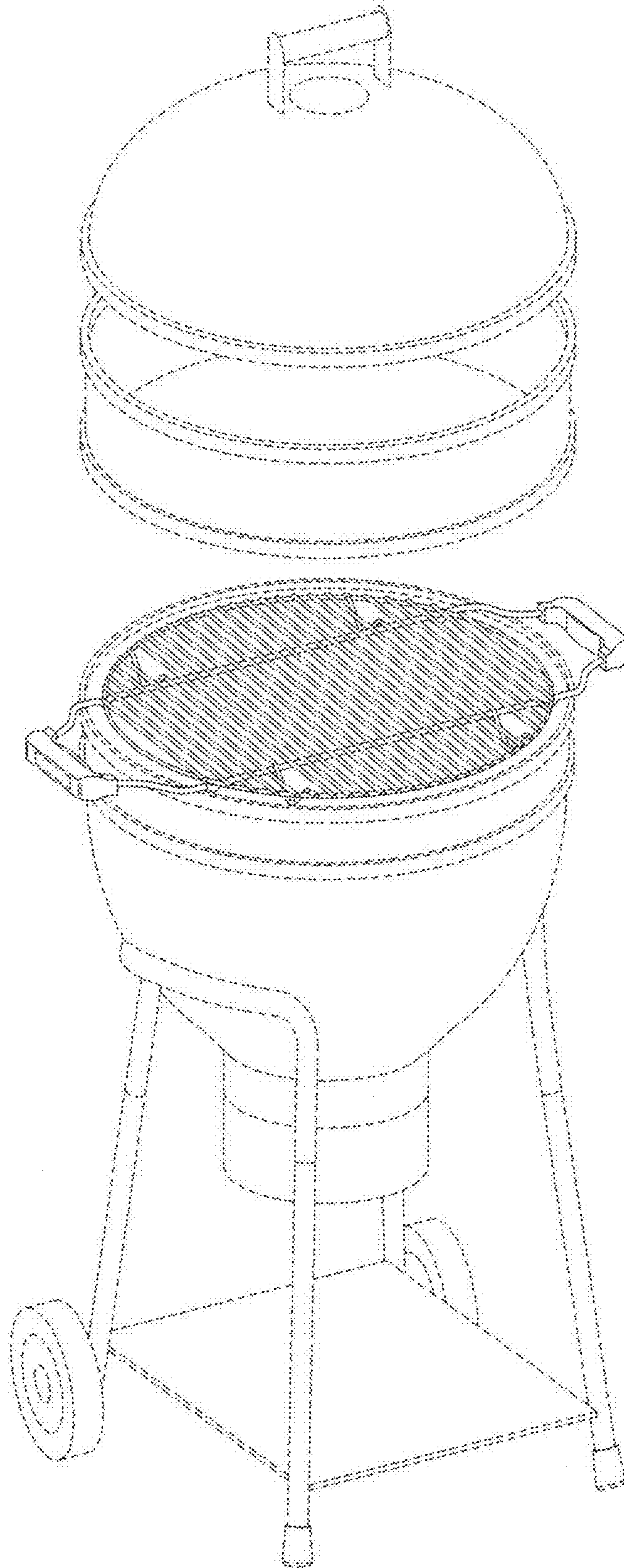


FIG. 1



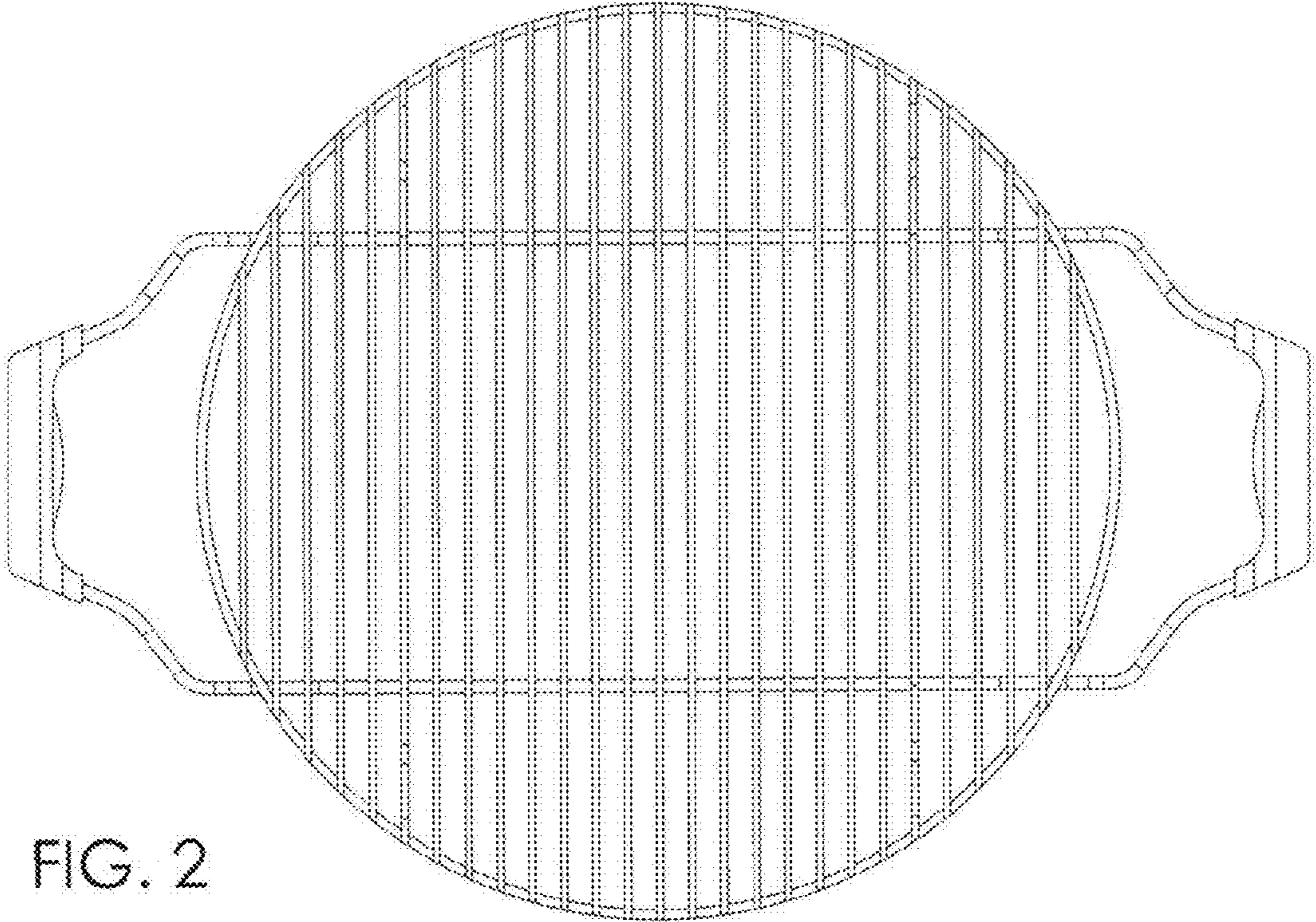


FIG. 2

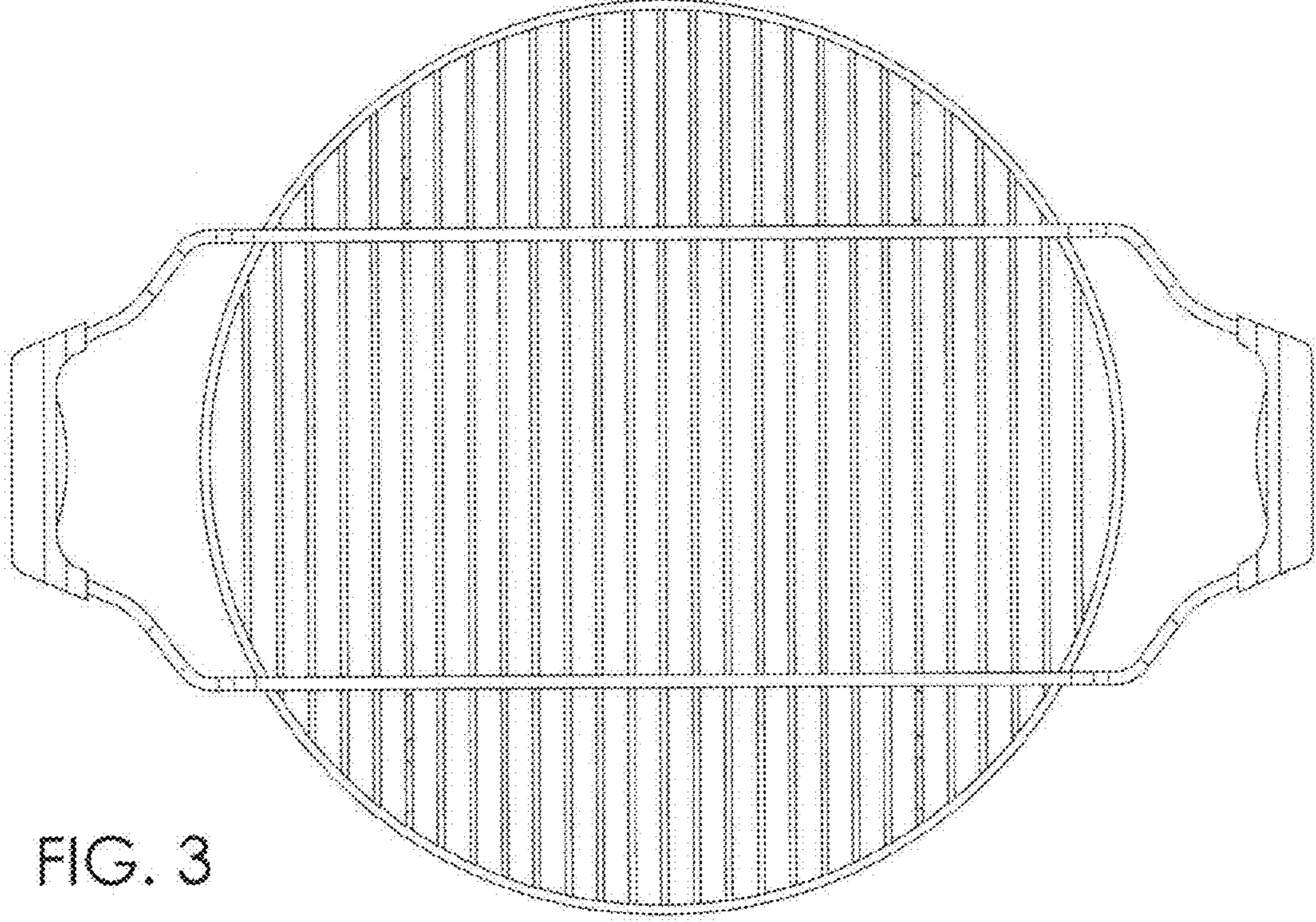


FIG. 3

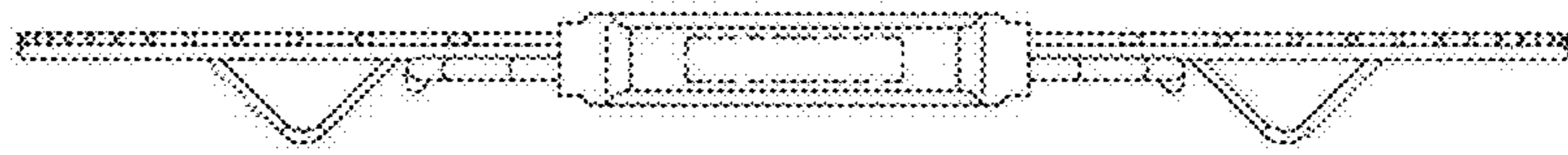


FIG. 4

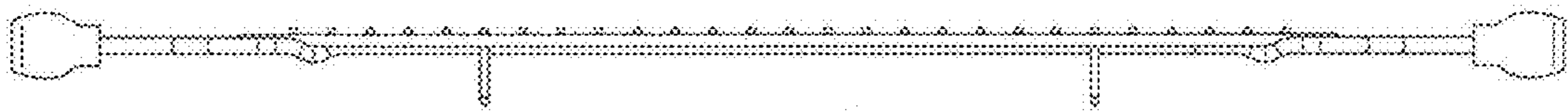


FIG. 5