



US00D766036S

(12) **United States Design Patent** (10) **Patent No.:** **US D766,036 S**  
**Koch et al.** (45) **Date of Patent:** **\*\* Sep. 13, 2016**

(54) **GAS BURNER**  
(71) Applicant: **Jürgen Koch**, Attendorn (DE)  
(72) Inventors: **Jürgen Koch**, Attendorn (DE);  
**Matthias Müller**, Attendorn (DE)  
(\*\*) Term: **14 Years**  
(21) Appl. No.: **29/499,318**  
(22) Filed: **Aug. 13, 2014**  
(51) **LOC (10) Cl.** ..... **07-02**  
(52) **U.S. Cl.**  
USPC ..... **D7/407**  
(58) **Field of Classification Search**  
USPC ..... D7/332-351, 362-367, 402-409;  
D23/415  
CPC ..... F24C 15/10; F24C 7/083; F24C 3/085;  
F24C 15/107; F24C 3/08; F24C 3/126;  
F24C 3/124; F24C 15/023; F24C 15/322;  
F24C 15/325; F24C 15/327; F24C 7/08;  
F24C 15/04; H05B 6/062; H05B 1/0266;  
F23D 14/06; F23D 2900/14062; F23D  
14/105; F23D 14/045; A47J 37/0713  
See application file for complete search history.

(56) **References Cited**  
U.S. PATENT DOCUMENTS  
5,186,158 A \* 2/1993 Ferlin ..... F24C 3/085  
126/39 H  
D369,517 S \* 5/1996 Ferlin ..... D7/407

D544,753 S \* 6/2007 Tseng ..... D7/407  
D564,296 S \* 3/2008 Koch ..... D7/407  
D565,896 S \* 4/2008 Pryor ..... D7/407  
D682,028 S \* 5/2013 Preisler ..... D7/407  
D743,203 S \* 11/2015 Filho ..... D7/407  
D743,531 S \* 11/2015 Biagioli ..... D23/415  
2007/0154858 A1 \* 7/2007 Cadima ..... F23D 14/06  
431/354  
2008/0308089 A1 \* 12/2008 Tecirlioglu ..... F23D 14/06  
126/39 E  
2014/0318528 A1 \* 10/2014 Quintaba' et al. .... F24C 3/08  
126/39 E  
2015/0198336 A1 \* 7/2015 Koch ..... F24C 3/126  
126/39 E

\* cited by examiner

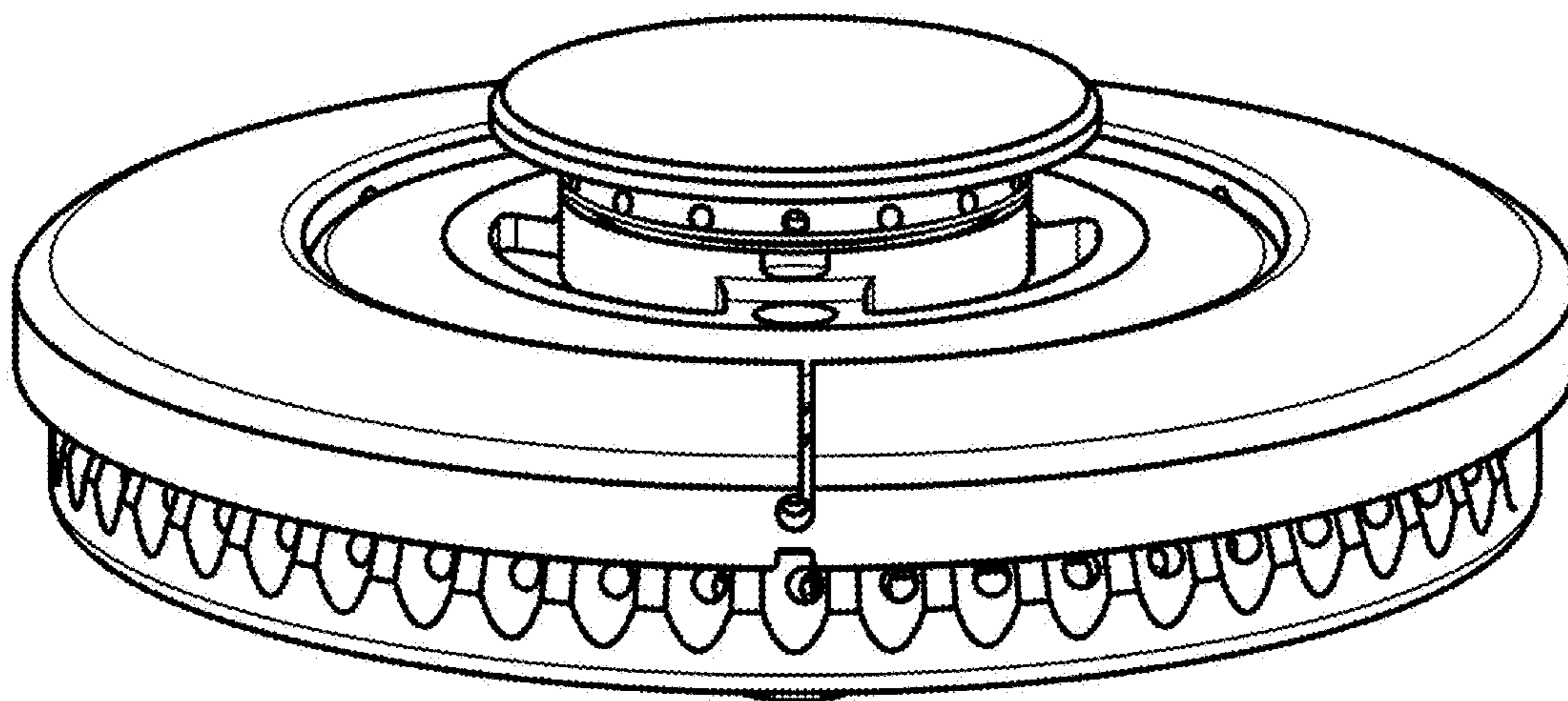
*Primary Examiner* — Susan Bennett Hattan  
*Assistant Examiner* — Brett Miller  
(74) *Attorney, Agent, or Firm* — Sterne, Kessler, Goldstein  
& Fox PLLC

(57) **CLAIM**  
The ornamental design for a gas burner, as shown and  
described.

**DESCRIPTION**

FIG. 1 is a top perspective view of a gas burner showing our  
new design;  
FIG. 2 is a side view thereof;  
FIG. 3 is a top view thereof;  
FIG. 4 is a bottom view thereof; and,  
FIG. 5 is a bottom perspective view thereof.

**1 Claim, 5 Drawing Sheets**



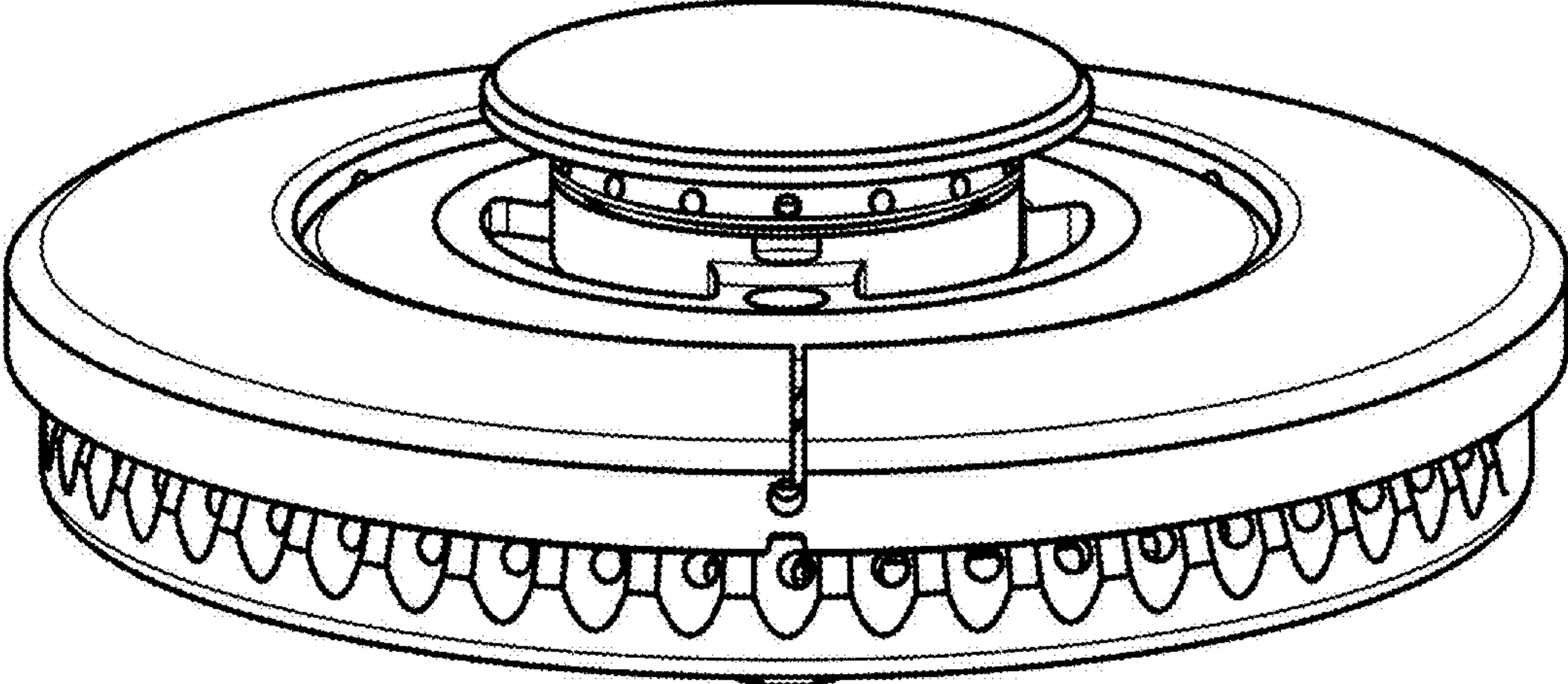


FIG. 1

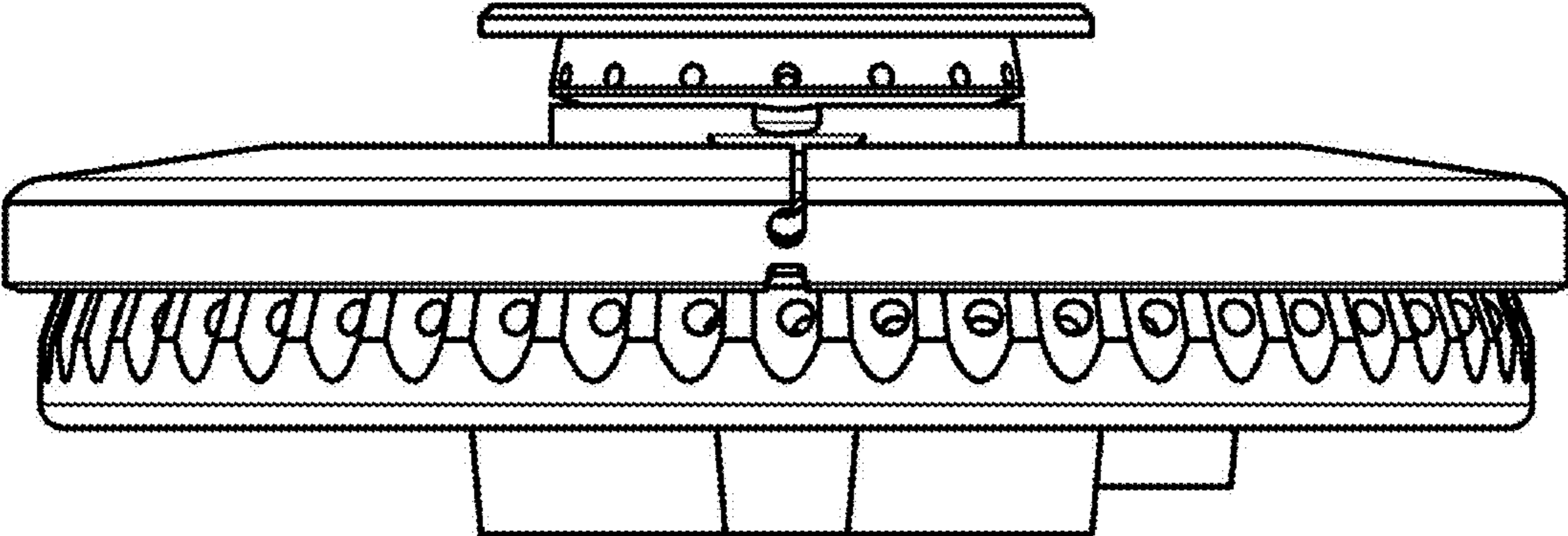


FIG. 2

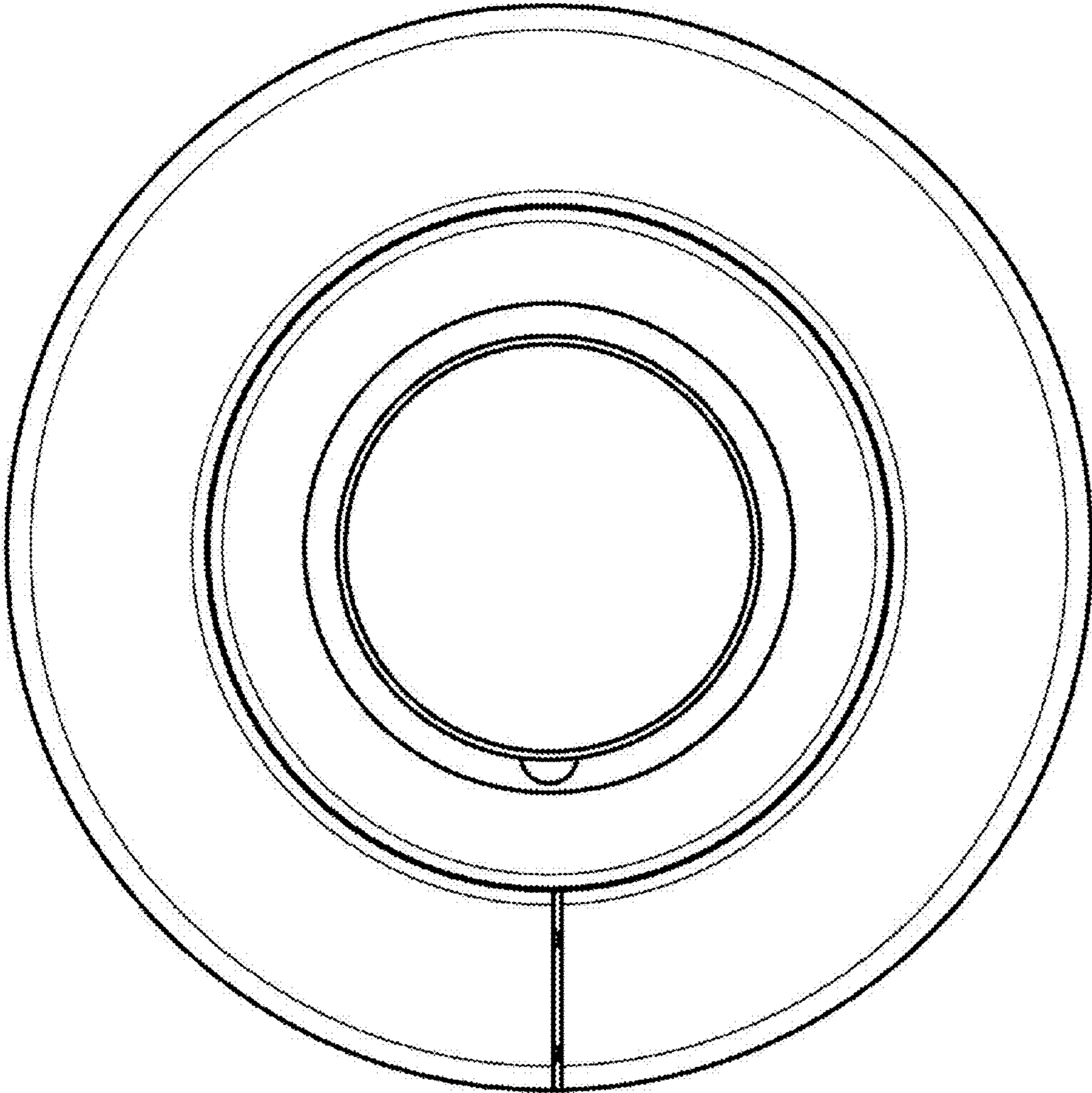


FIG. 3



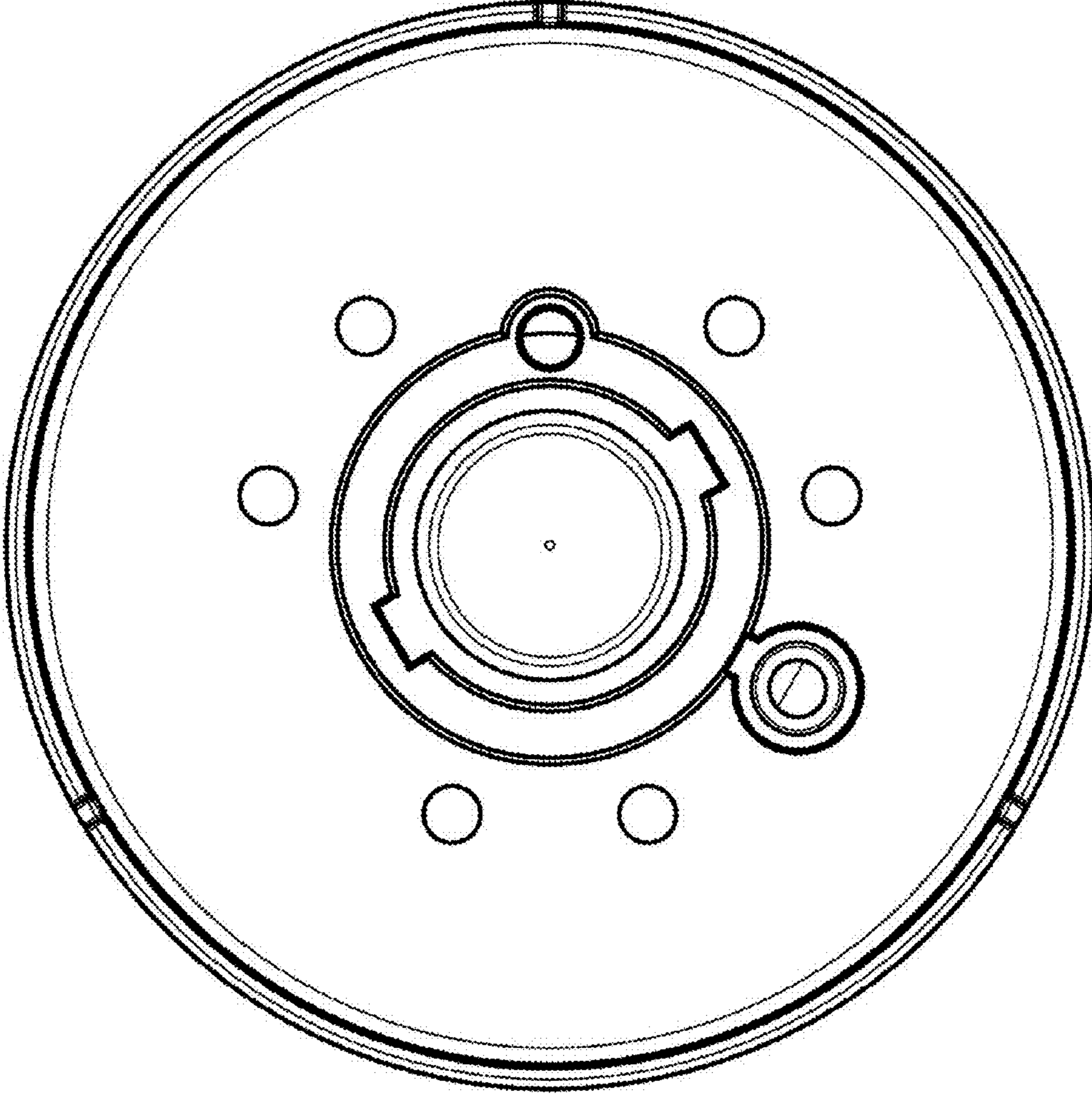


FIG. 4

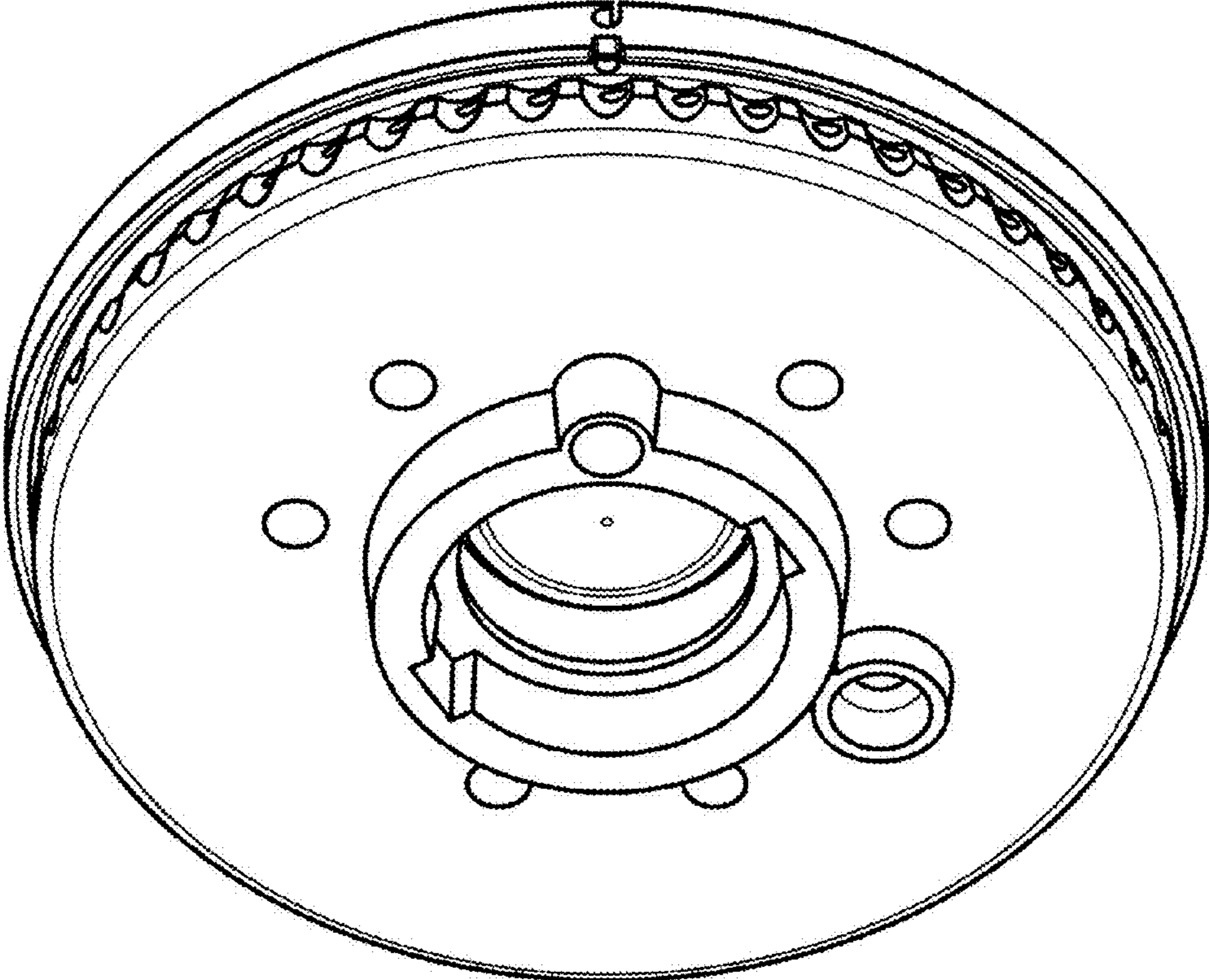


FIG. 5