



US00D766035S

(12) **United States Design Patent**  
**Cox**

(10) **Patent No.:** **US D766,035 S**

(45) **Date of Patent:** **\*\* Sep. 13, 2016**

(54) **ICE MUG HANDLE**

(71) Applicant: **Steven Cox**, Kent, WA (US)

(72) Inventor: **Steven Cox**, Kent, WA (US)

(\*\*) Term: **15 Years**

(21) Appl. No.: **29/528,845**

(22) Filed: **Jun. 1, 2015**

(51) **LOC (10) Cl.** ..... **07-02**

(52) **U.S. Cl.**  
USPC ..... **D7/394; D7/622**

(58) **Field of Classification Search**  
USPC ..... D7/619.1-625, 394, 396.2; D9/499,  
D9/455, 434, 436, 443; 215/392-396, 399,  
215/11.6; 294/170, 27.1, 29, 31.2, 32, 31.1;  
211/74; 248/309.1, 311.2, 312;  
220/737-739, 758, 759  
CPC ..... A45F 5/10; A61J 9/06; B65D 23/106;  
A47G 23/0266; A47G 23/0241  
See application file for complete search history.

(56) **References Cited**

**U.S. PATENT DOCUMENTS**

2,981,562	A *	4/1961	Long	.....	A47G 23/0241 215/12.1
3,794,370	A *	2/1974	Lockhart	.....	A47J 45/077 16/DIG. 25
D258,795	S *	4/1981	Zamorski	.....	D7/536
D269,147	S *	5/1983	Trombly	.....	D7/536
4,842,158	A *	6/1989	Reyes, Jr.	.....	B65D 23/106 215/392
D302,634	S *	8/1989	Segal	.....	D7/536
D350,457	S *	9/1994	Bailey	.....	D7/509
D395,238	S *	6/1998	Freitas	.....	D9/455
D416,444	S *	11/1999	Jørgensen	.....	D7/533
D449,968	S *	11/2001	Reed	.....	D7/622
D481,590	S *	11/2003	Lin	.....	D7/510
6,729,665	B1 *	5/2004	Posey	.....	B65D 23/106

					215/396
D587,523	S *	3/2009	Moon	.....	D7/396.2
7,527,310	B2 *	5/2009	Shaskey, Sr.	.....	B65D 23/106 215/396
D594,687	S *	6/2009	Bodum	.....	D7/300
D595,091	S *	6/2009	Poindexter	.....	D7/532
D615,366	S *	5/2010	Berezansky	.....	D7/622
8,899,644	B2 *	12/2014	Hancey	.....	A45F 5/10 215/396
D740,618	S *	10/2015	Knoll	.....	D7/622

\* cited by examiner

*Primary Examiner* — Cynthia M Chin

(74) *Attorney, Agent, or Firm* — Jensen & Puntigam, PS

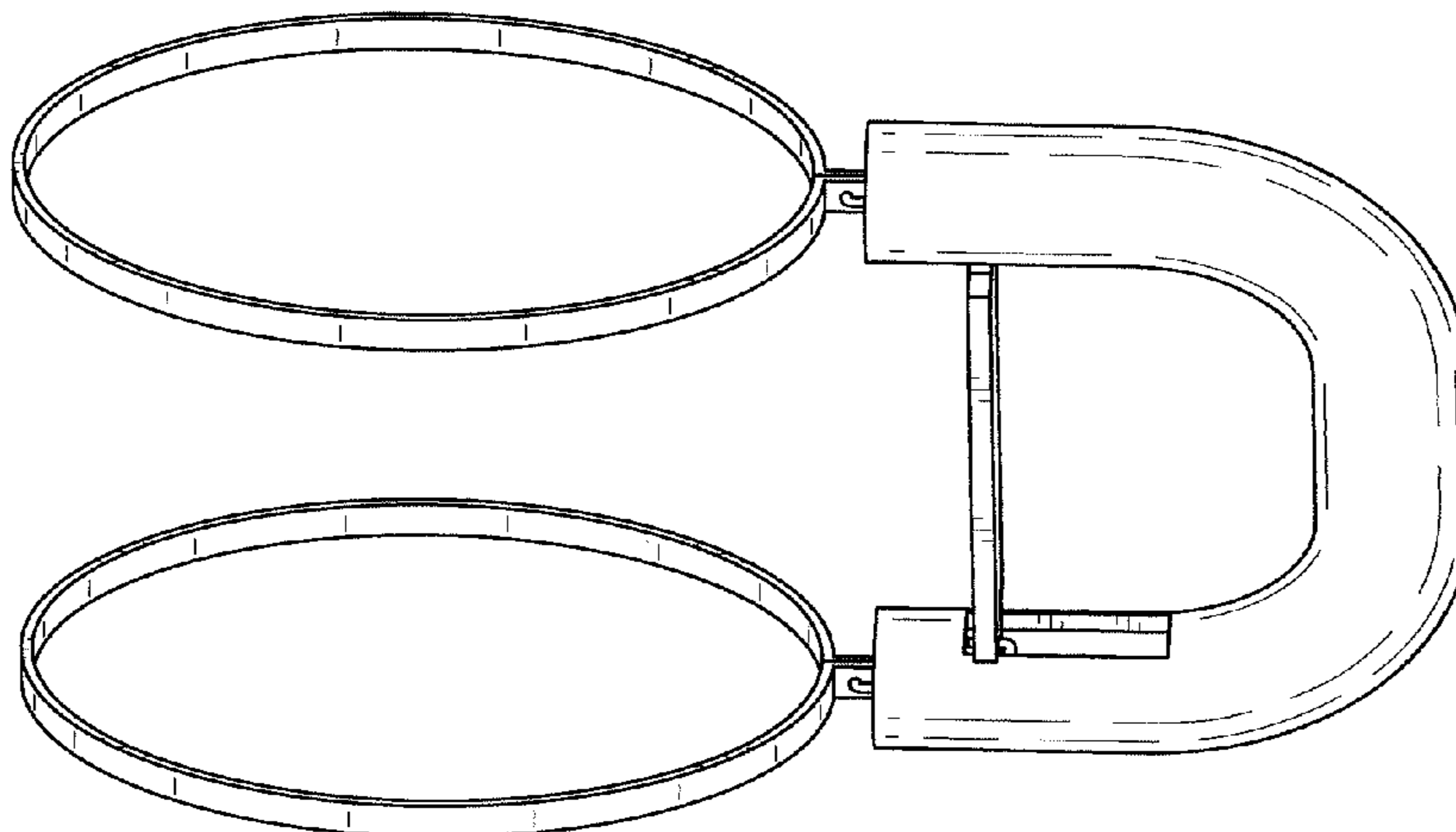
(57) **CLAIM**

The ornamental design for an ice mug handle, as shown and described.

**DESCRIPTION**

FIG. 1 is an isometric view of the handle showing my new ice mug handle design in a first position;  
 FIG. 2 is a right side elevational view with the handle being in the first position;  
 FIG. 3 is a right side elevational view showing the handle in a second position;  
 FIG. 4 is a left side elevational view showing the handle in the first position;  
 FIG. 5 is a left side elevational view showing the handle in the second position;  
 FIG. 6 is a top view showing the handle in the first position;  
 FIG. 7 is a top view showing the handle in the second position;  
 FIG. 8 is a bottom view showing the handle in the first position;  
 FIG. 9 is a bottom view showing the handle in the second position;  
 FIG. 10 is a front view of the handle; and,  
 FIG. 11 is a rear view of the handle.

**1 Claim, 6 Drawing Sheets**



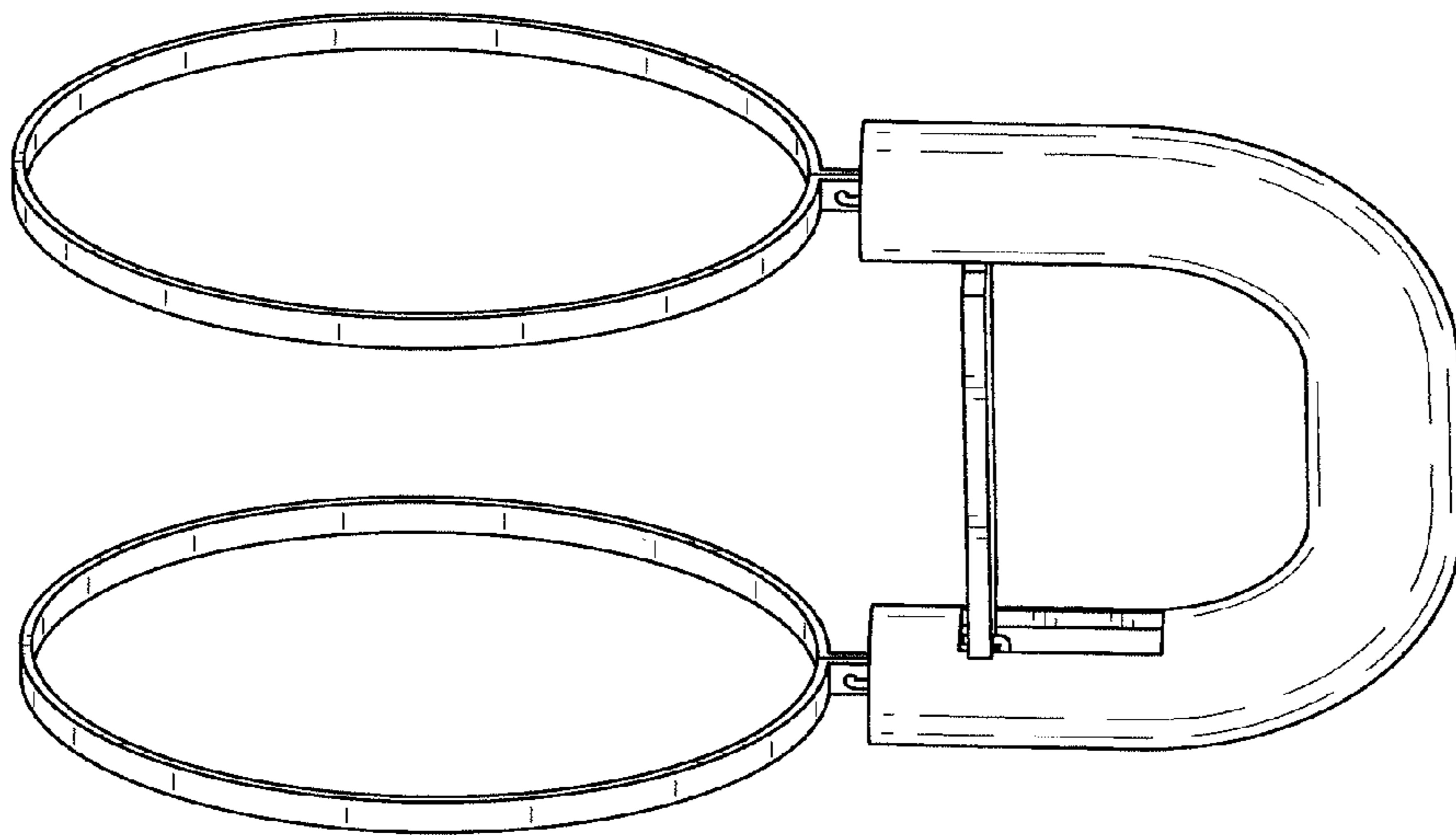


FIG. 1

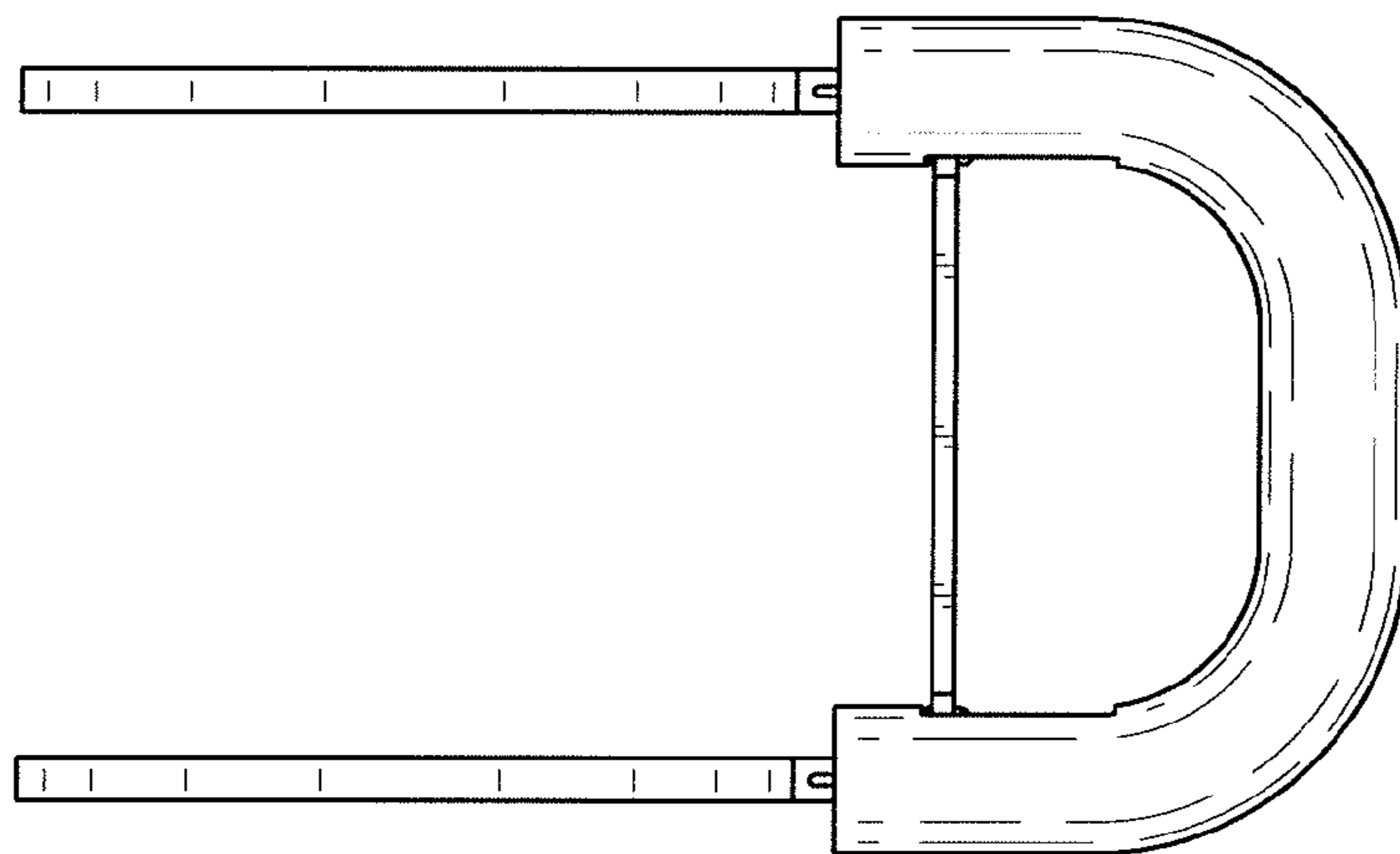


FIG. 2

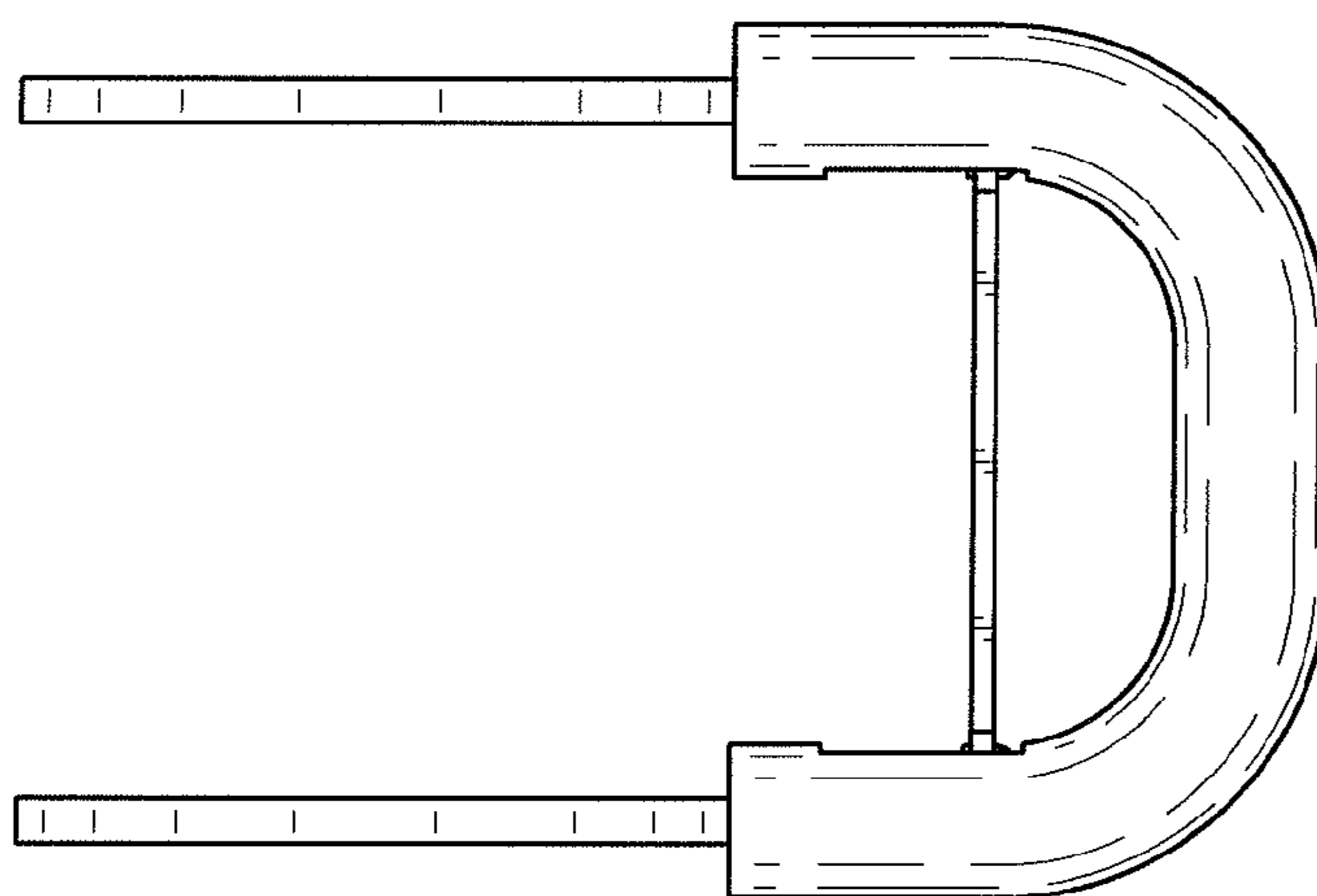


FIG. 3

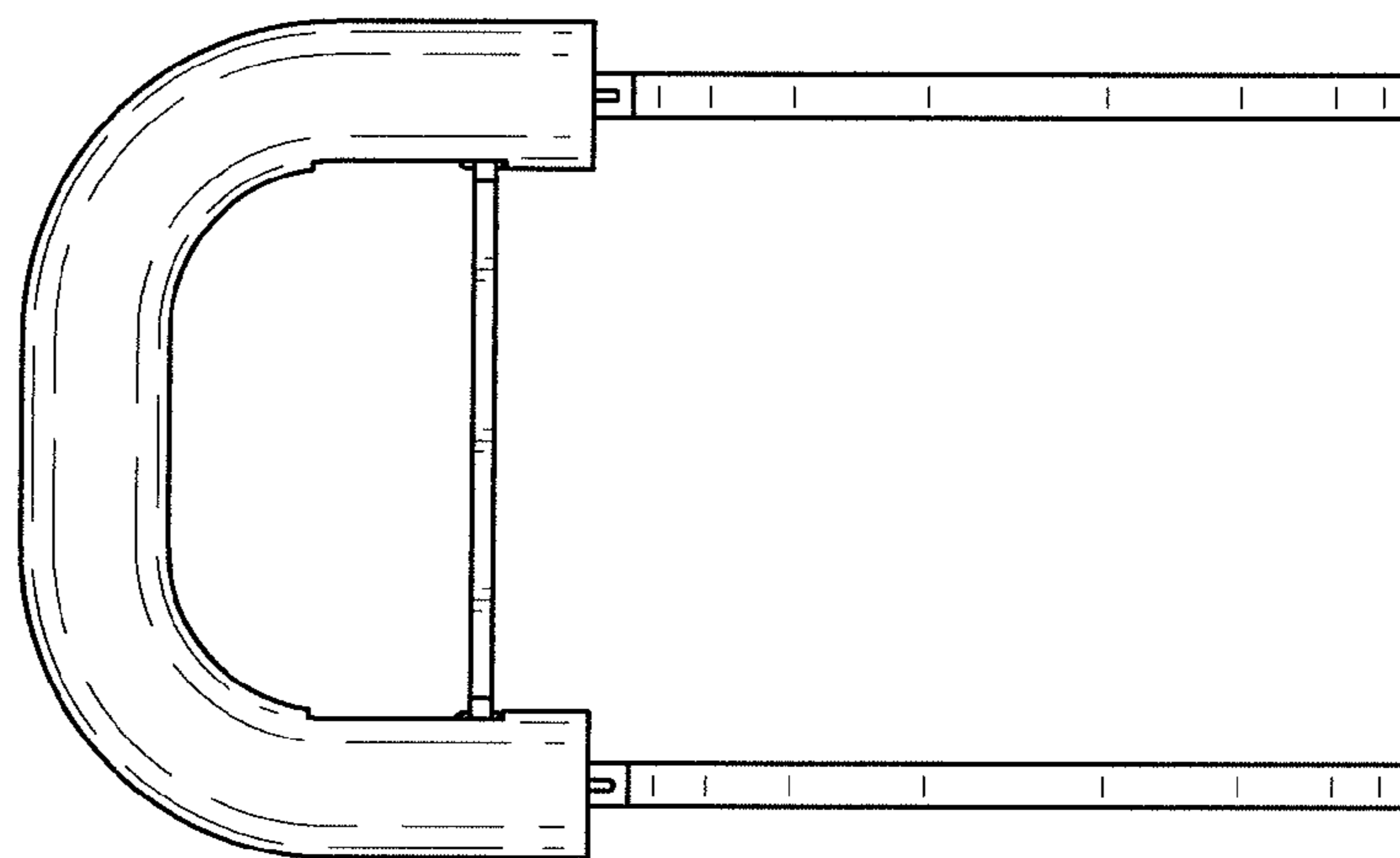


FIG. 4

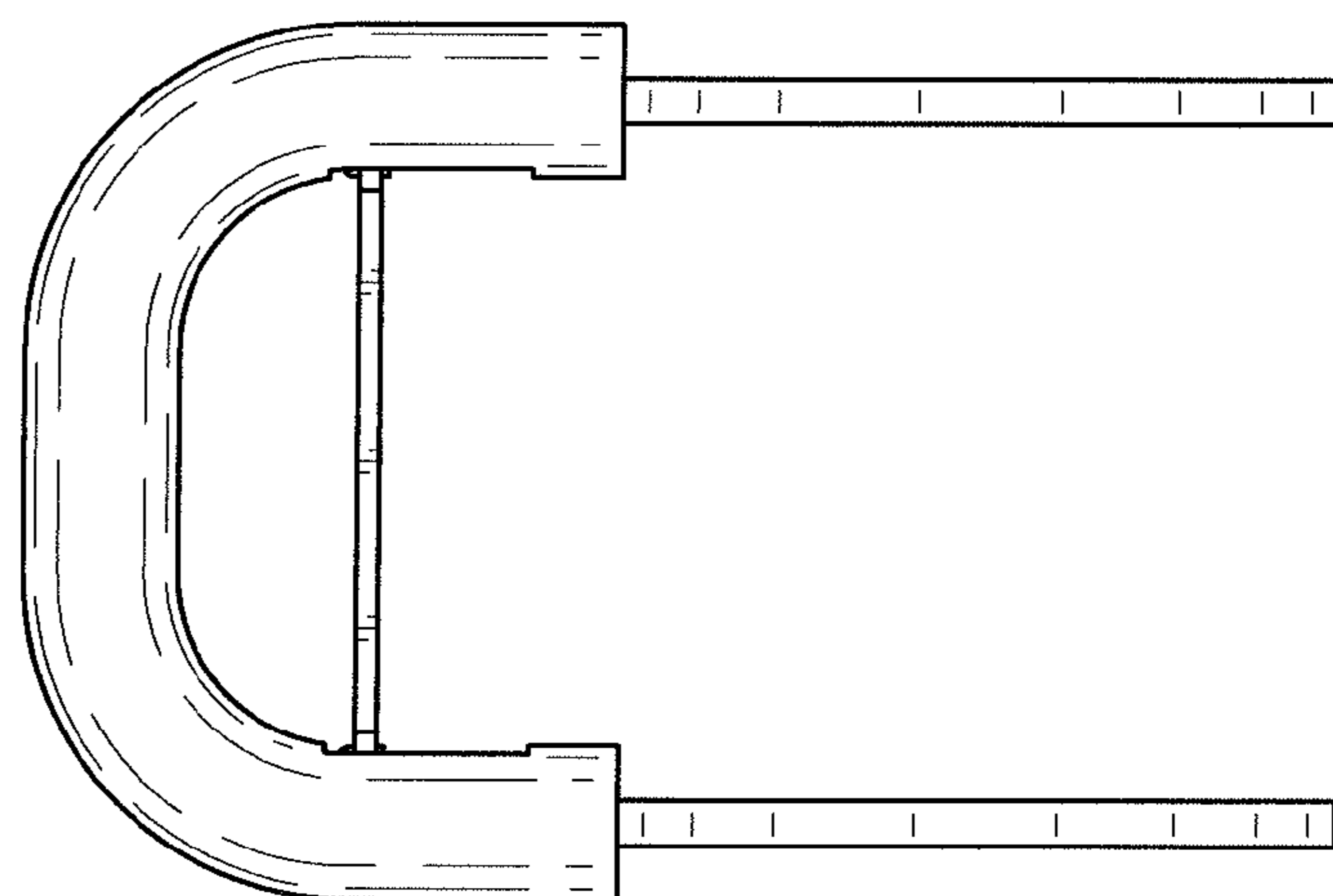


FIG. 5

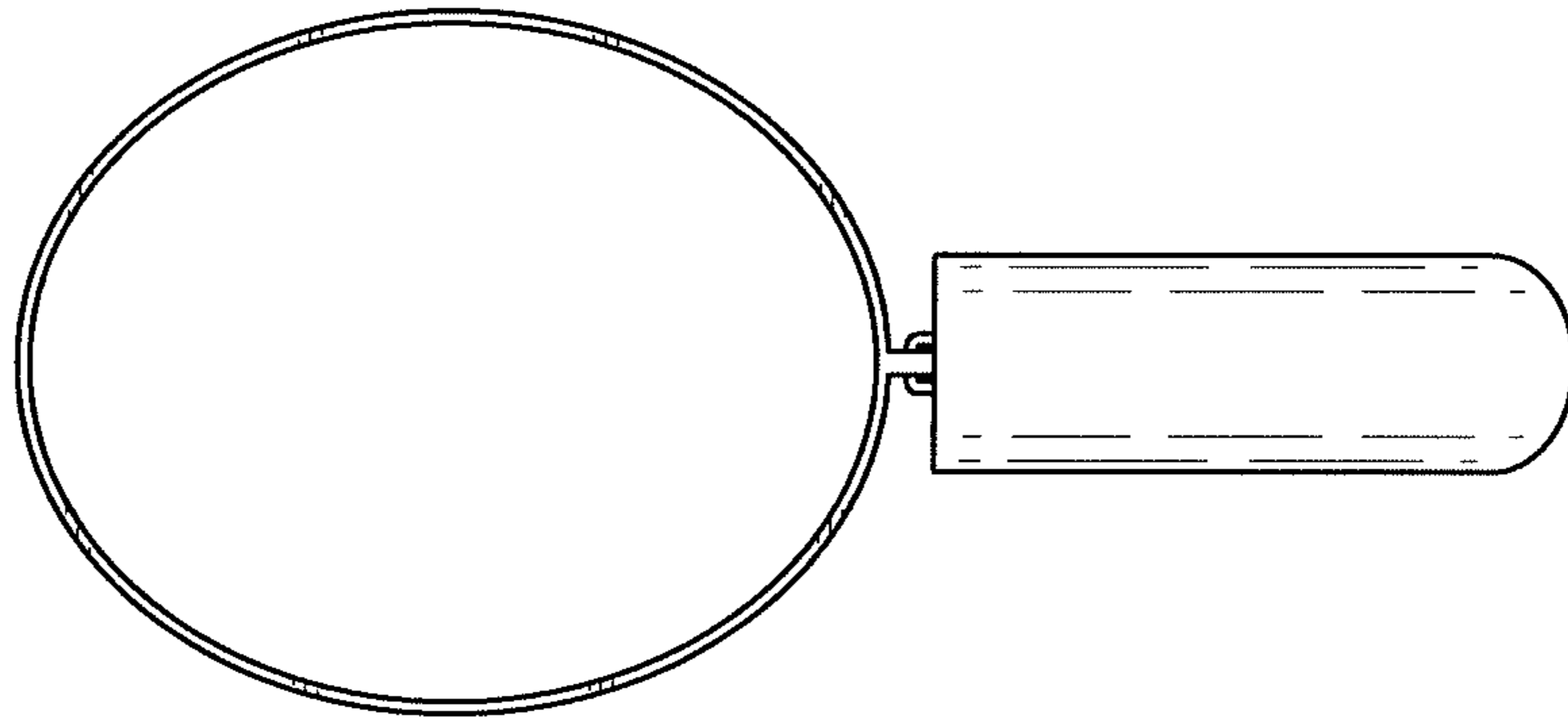


FIG. 6

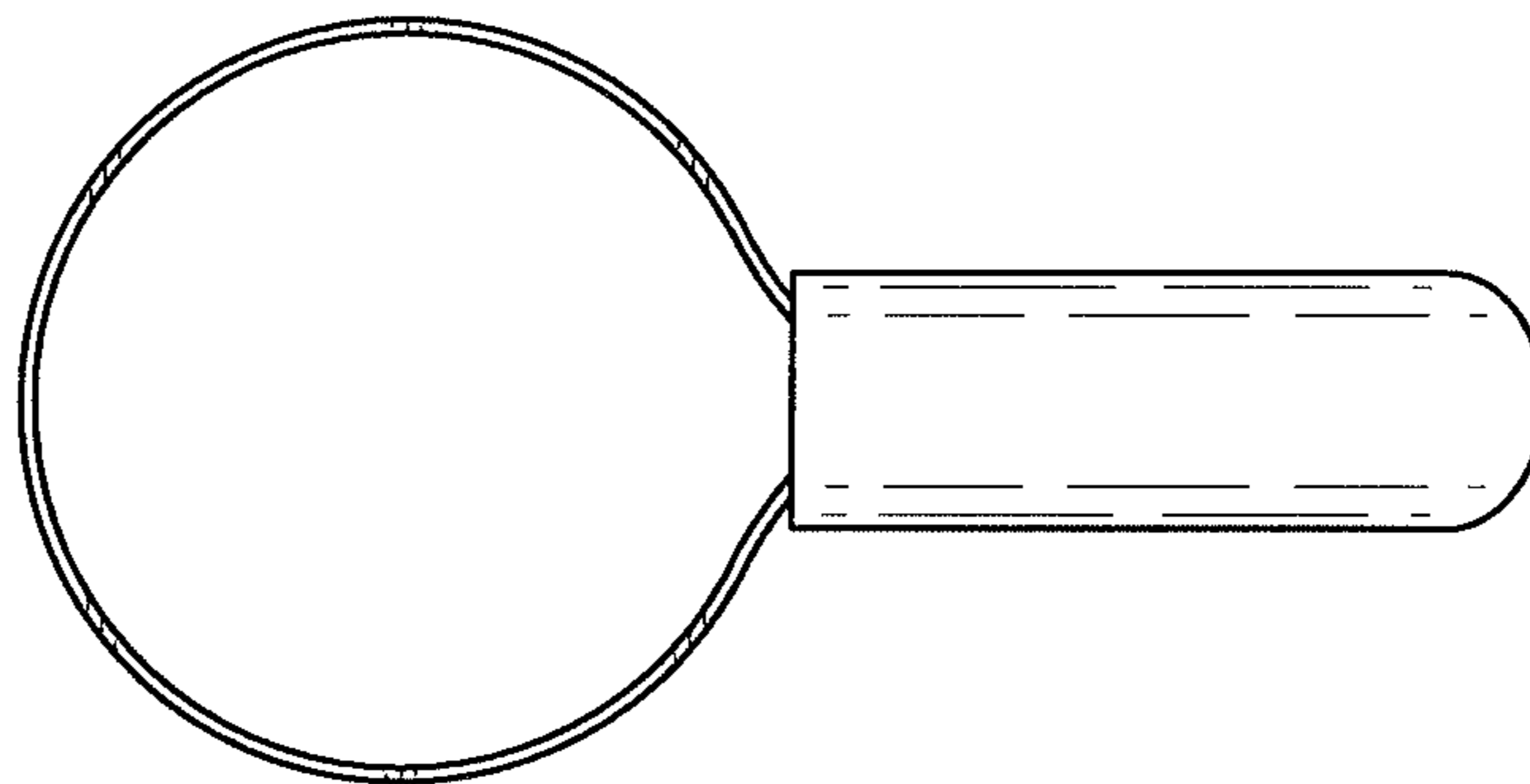


FIG. 7

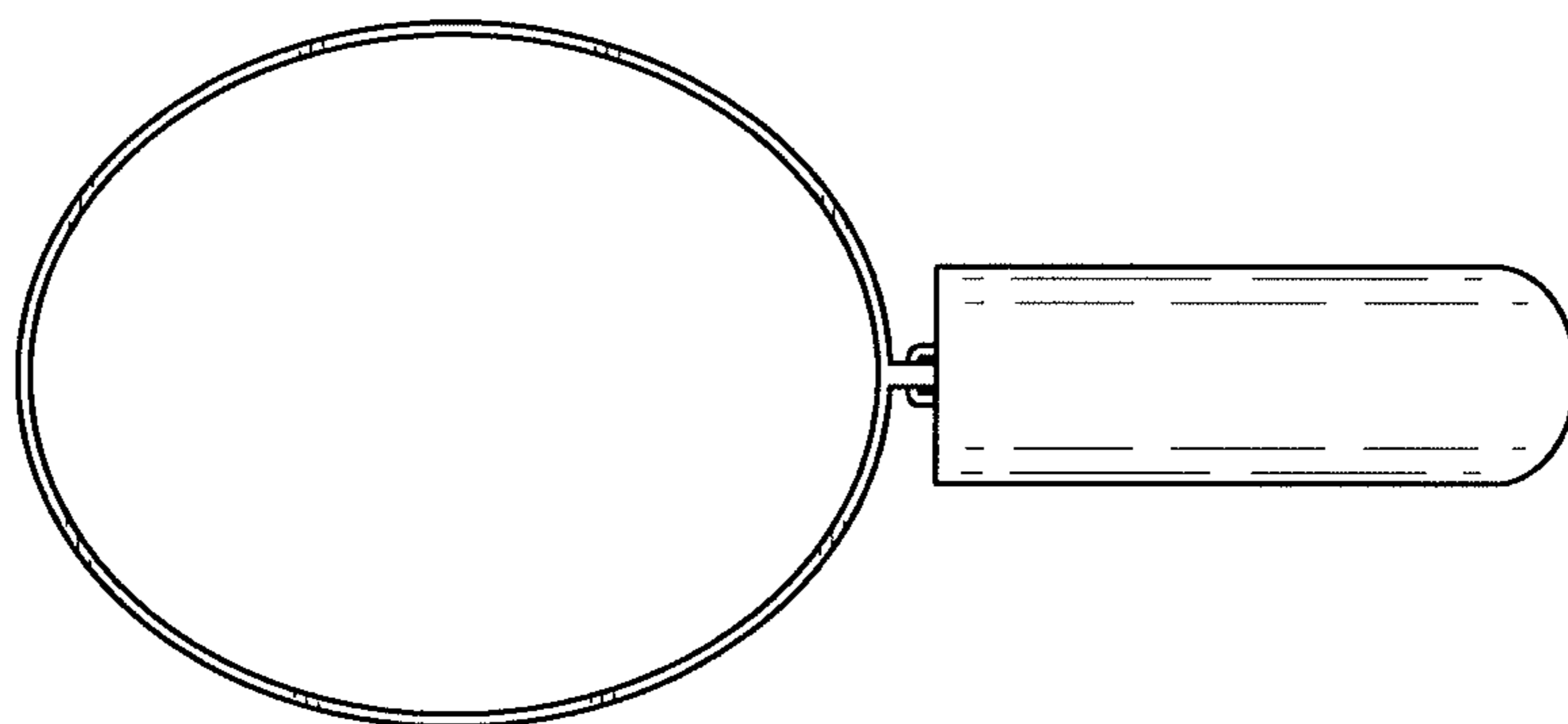


FIG. 8

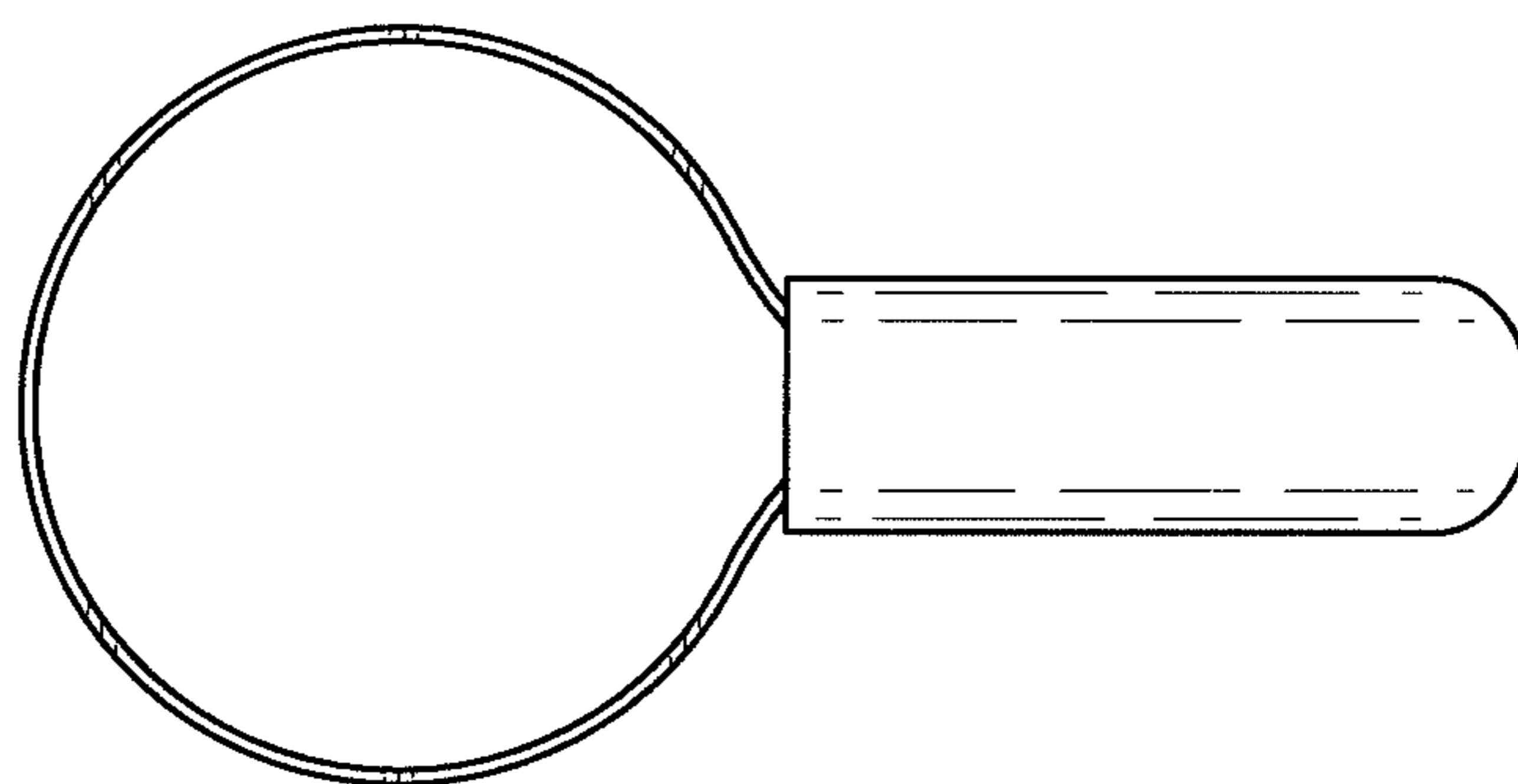


FIG. 9

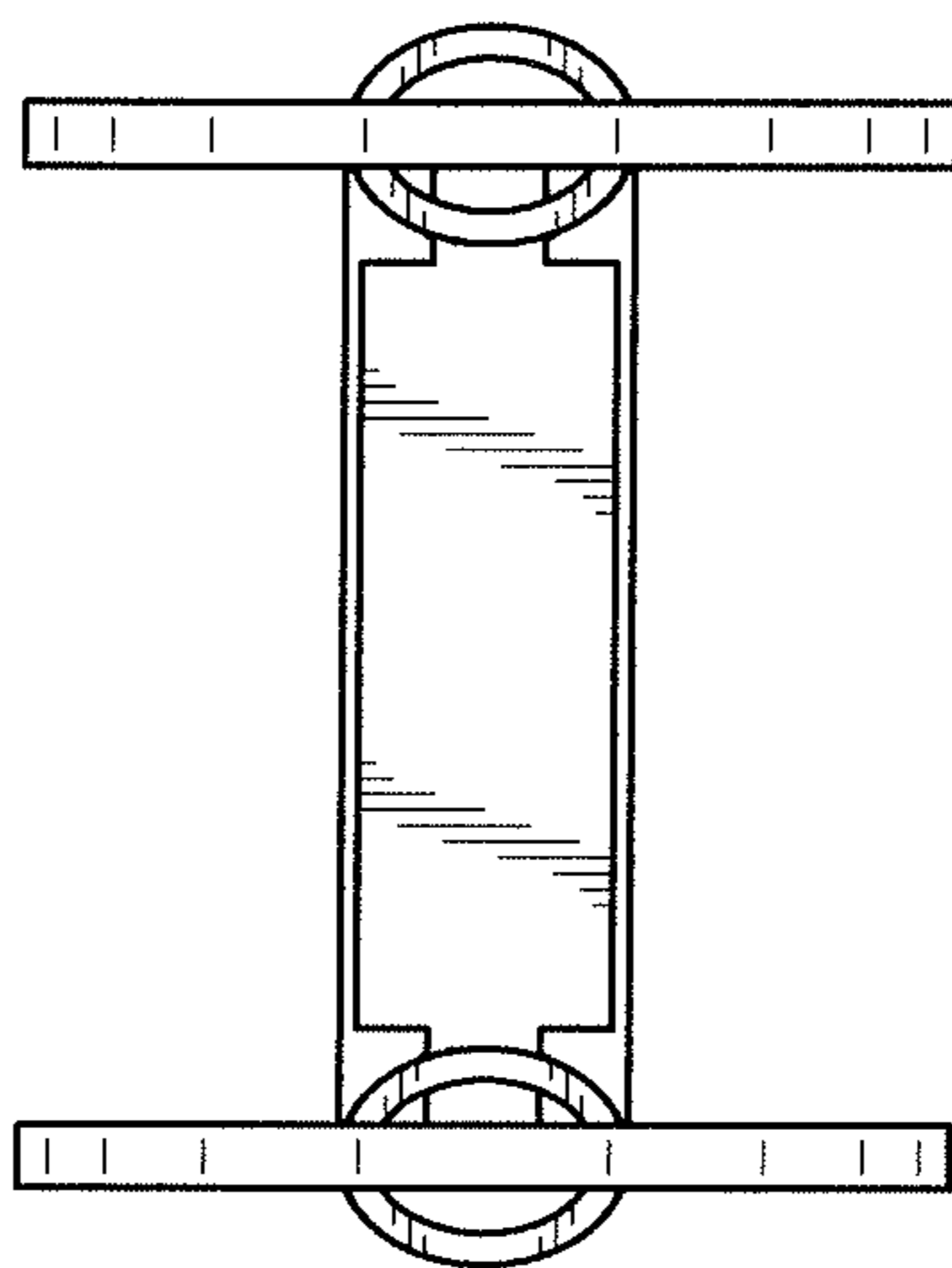


FIG. 10

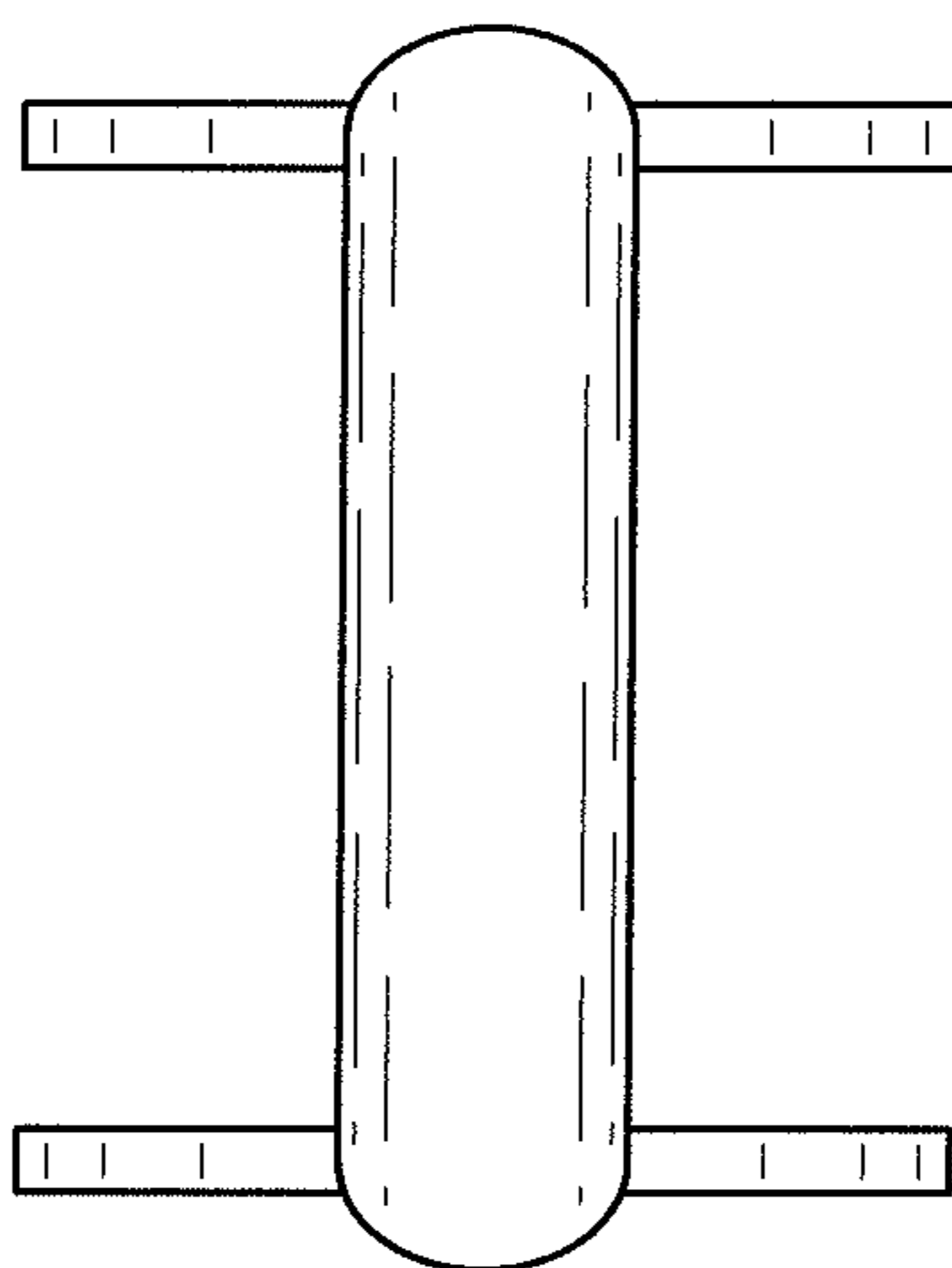


FIG. 11