



US00D766031S

(12) **United States Design Patent** (10) **Patent No.:** **US D766,031 S**
Garman (45) **Date of Patent:** **** Sep. 13, 2016**

- (54) **DUAL SANDWICH MAKER**
- (71) Applicant: **Hamilton Beach Brands, Inc.**, Glen Allen, VA (US)
- (72) Inventor: **Michael Garman**, Moseley, VA (US)
- (73) Assignee: **Hamilton Beach Brands, Inc.**, Glen Allen, VA (US)
- (**) Term: **15 Years**
- (21) Appl. No.: **29/529,788**
- (22) Filed: **Jun. 10, 2015**

6,772,678	B2	8/2004	Choi et al.	
7,005,616	B2	2/2006	Kim et al.	
D523,284	S *	6/2006	Lam	D7/352
D530,143	S *	10/2006	Leibson	D7/352
D543,410	S *	5/2007	Cohen	D7/352
7,238,921	B2	7/2007	Beesley et al.	
7,250,587	B2	7/2007	Ely et al.	
7,250,588	B2	7/2007	Ely et al.	
D575,576	S *	8/2008	Chao	D7/352
7,467,583	B2	12/2008	Lam	
D602,732	S *	10/2009	Busse	D7/352
D677,513	S *	3/2013	Blacken	D7/352
D734,089	S *	7/2015	Garman	D7/352
D750,415	S *	3/2016	Marsh-Croft	D7/352
D753,431	S *	4/2016	Garman	D7/352
D755,002	S *	5/2016	Garman	D7/352
2008/0105137	A1	5/2008	Genslak et al.	
2009/0139412	A1	6/2009	Zhan	

Related U.S. Application Data

- (62) Division of application No. 29/484,308, filed on Mar. 7, 2014, now Pat. No. Des. 734,089.
- (51) **LOC (10) Cl.** **07-02**
- (52) **U.S. Cl.**
USPC **D7/352; D7/362; D7/410**
- (58) **Field of Classification Search**
USPC D7/323, 328-330, 337, 347, 352-364, D7/367, 402, 409-411
CPC A21B 5/023; A47J 27/60; A47J 27/62; A47J 37/04; A47J 37/06; A47J 37/067; A47J 37/0605; A47J 37/0611; A47J 37/0623; A47J 37/0629; A47J 37/0676; A47J 2037/06; A47J 2037/0611; F24C 15/10; F24C 15/102; H05B 6/02; H05B 6/062
See application file for complete search history.

* cited by examiner

Primary Examiner — Ricky Pham

(74) *Attorney, Agent, or Firm* — Alexander D. Raring

(57) **CLAIM**

The ornamental design for a dual sandwich maker, as shown and described.

DESCRIPTION

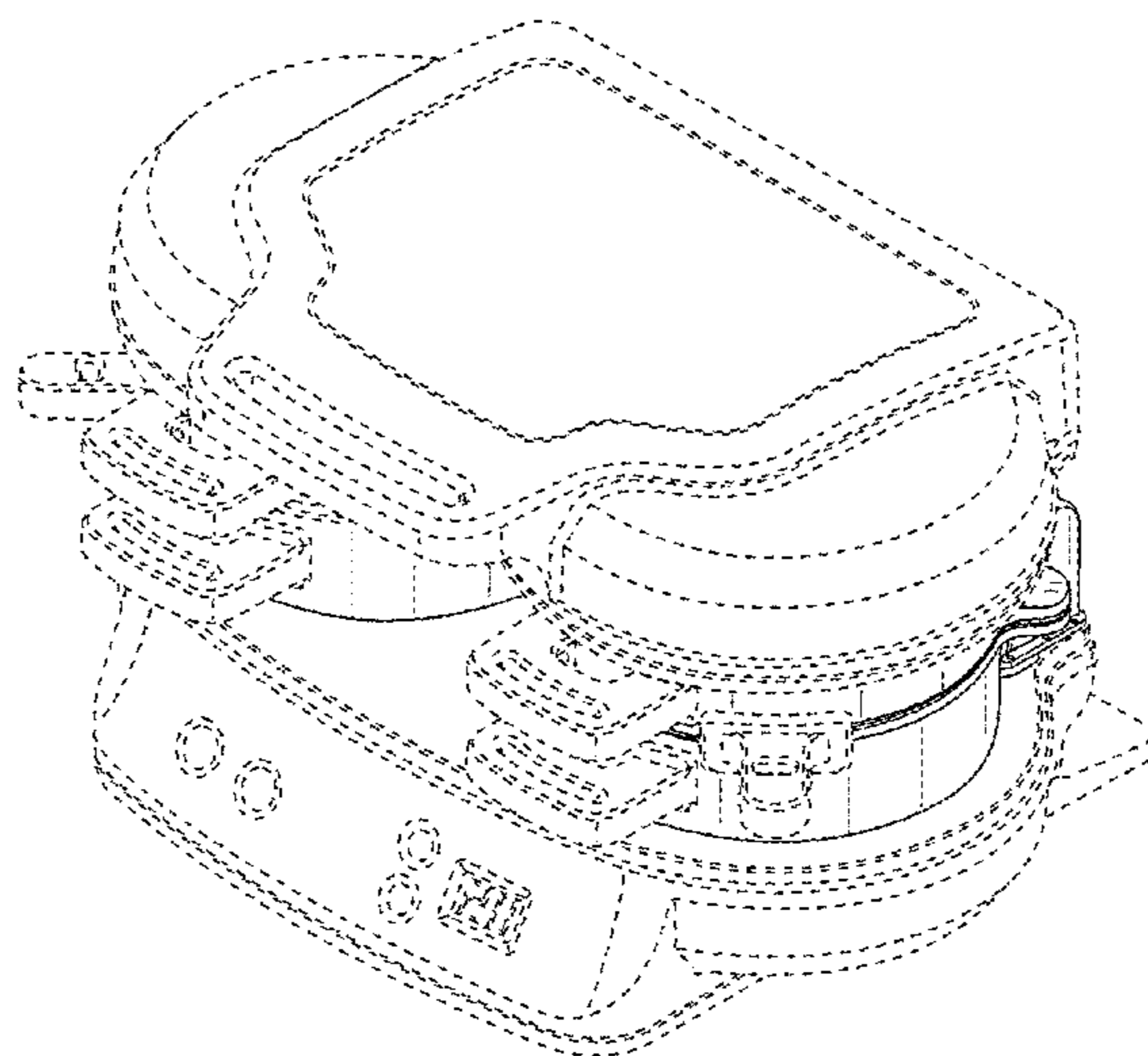
FIG. 1 is a perspective view of one embodiment of the claimed design as seen from the top, front and right side of a dual sandwich maker;
 FIG. 2 is a perspective view as seen from the top, rear and left side thereof;
 FIG. 3 is a front view thereof;
 FIG. 4 is a right side view thereof;
 FIG. 5 is a rear view thereof;
 FIG. 6 is a top view thereof;
 FIG. 7 is a left side view thereof; and,
 FIG. 8 is a bottom view thereof.
 The broken lines in the drawings are included for illustrative purposes only and form no part of the claimed design.

1 Claim, 8 Drawing Sheets

(56) **References Cited**

U.S. PATENT DOCUMENTS

4,803,918	A	2/1989	Carbon et al.	
D309,844	S *	8/1990	Storsberg	D7/352
4,967,650	A	11/1990	Weigle	
D411,937	S *	7/1999	Siegler	D7/352
5,983,784	A	11/1999	Goldberg	
D467,766	S *	12/2002	Wanat	D7/352



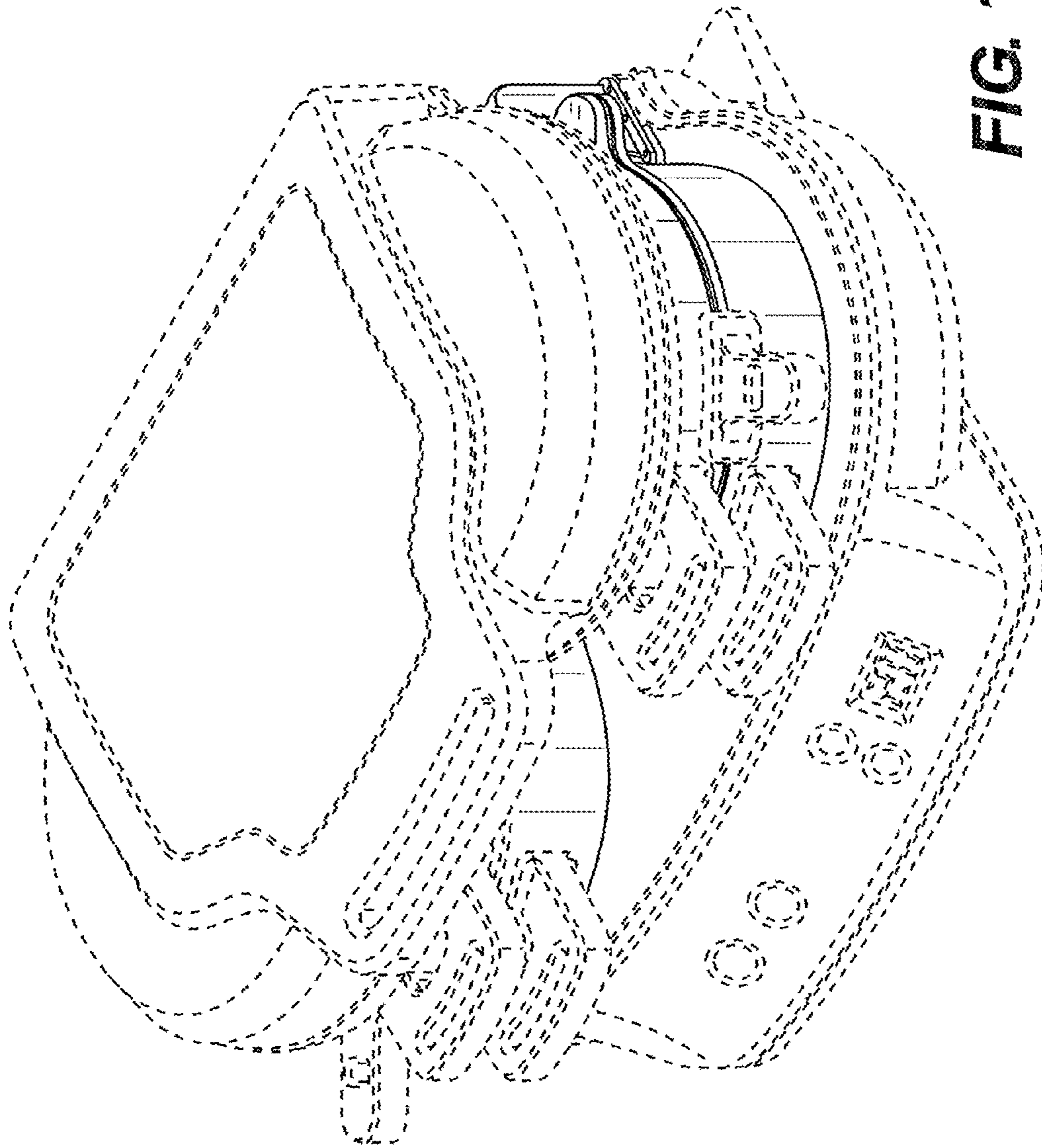


FIG. 1

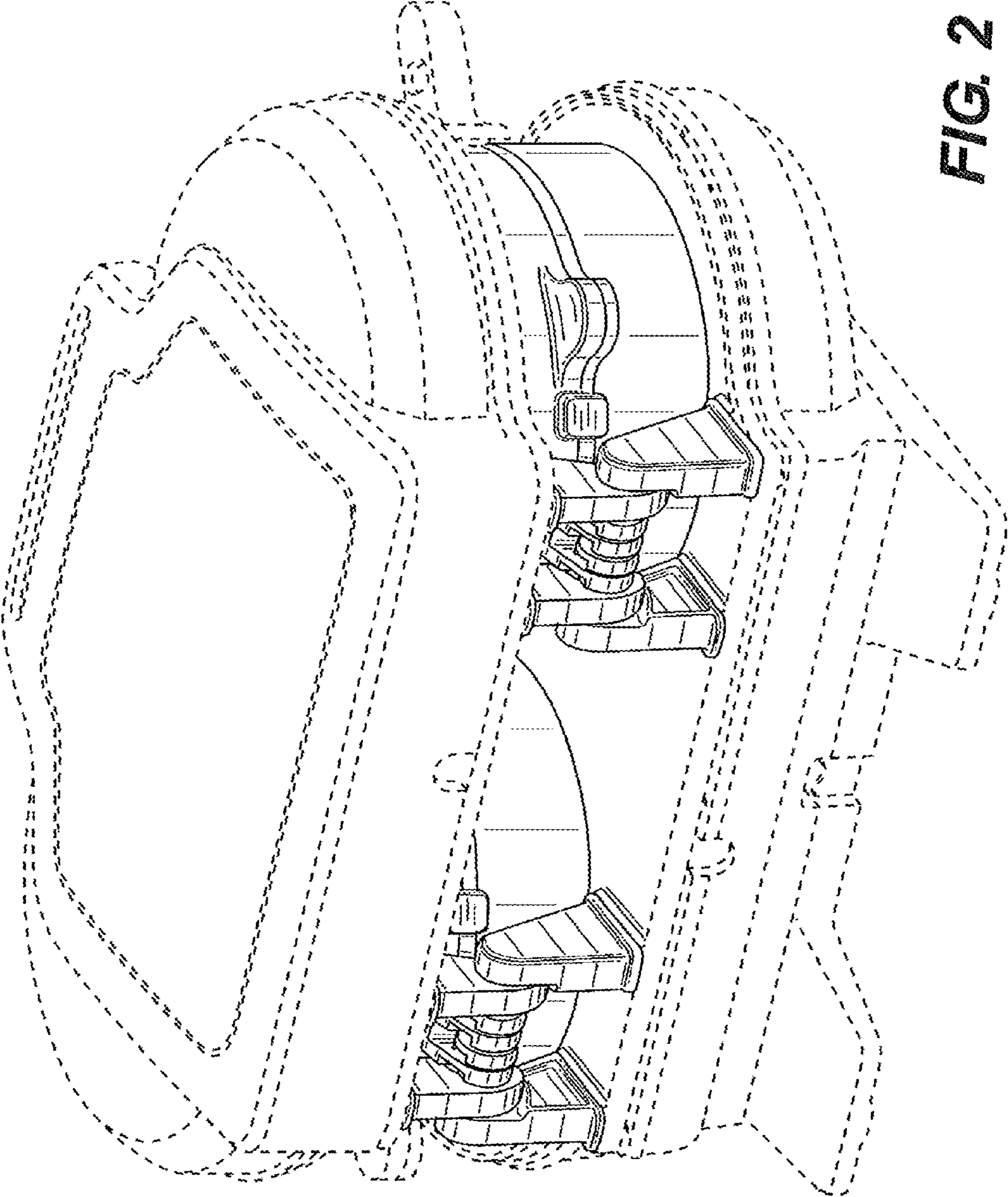


FIG. 2

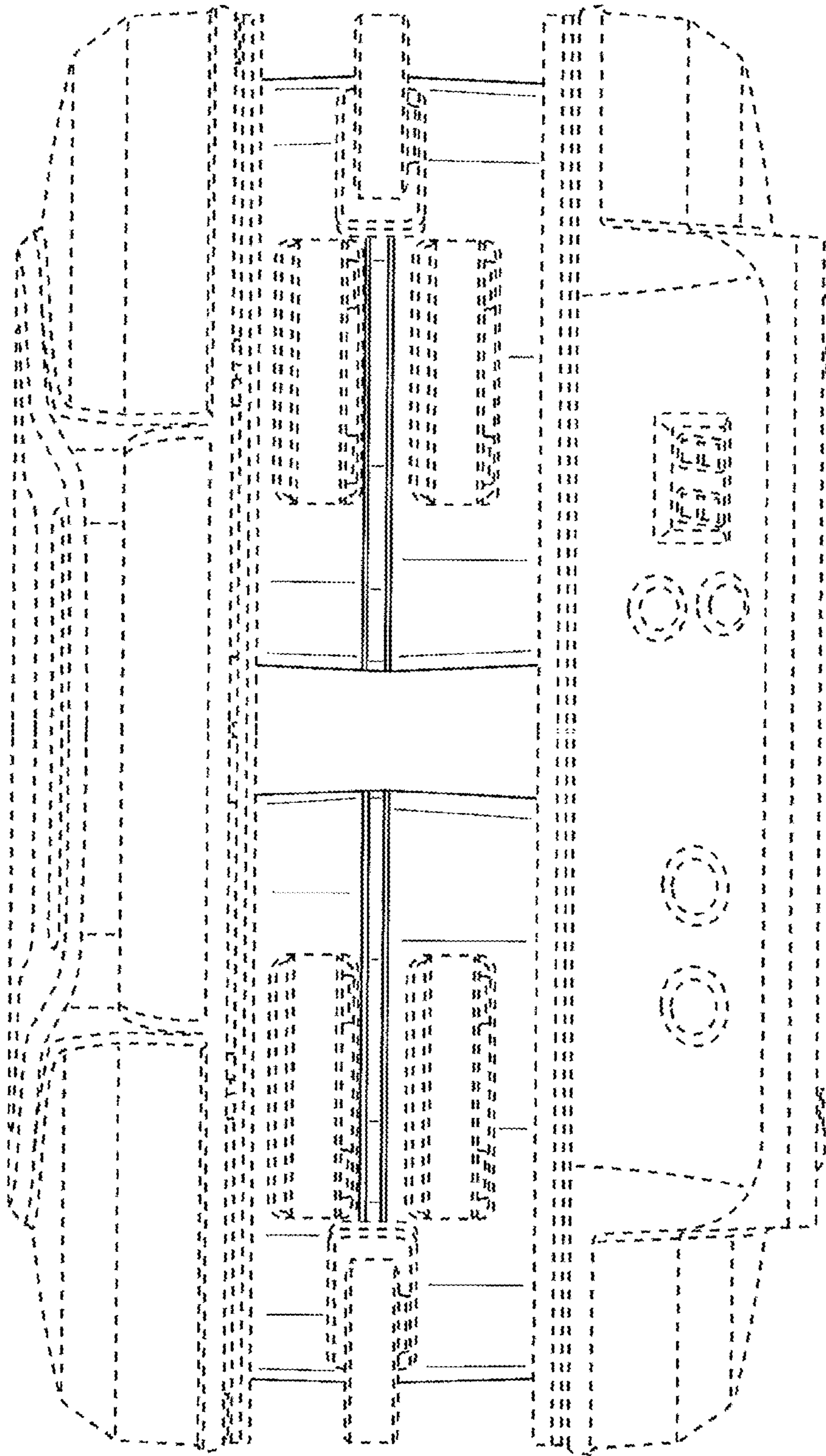


FIG. 3

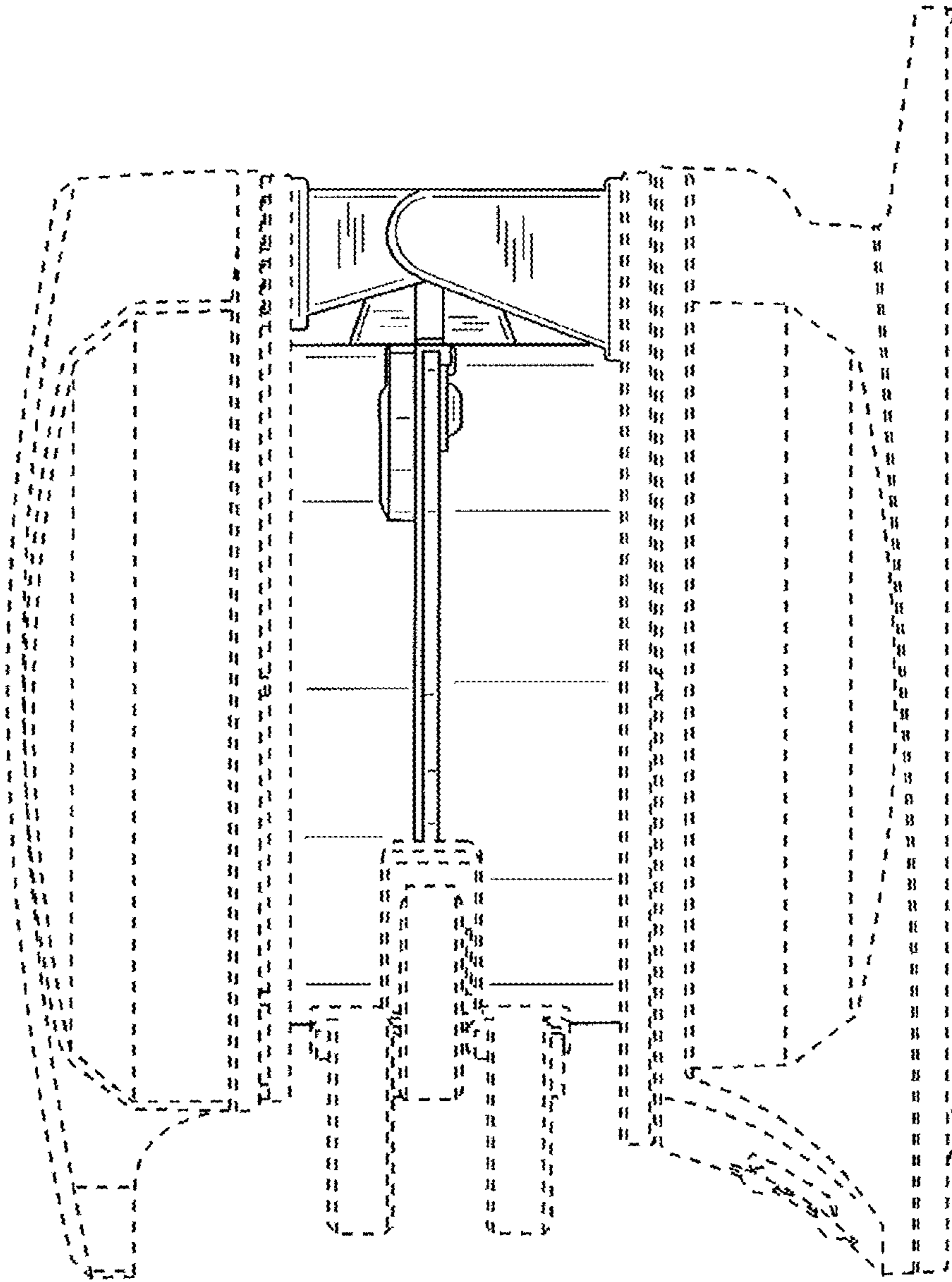


FIG. 4

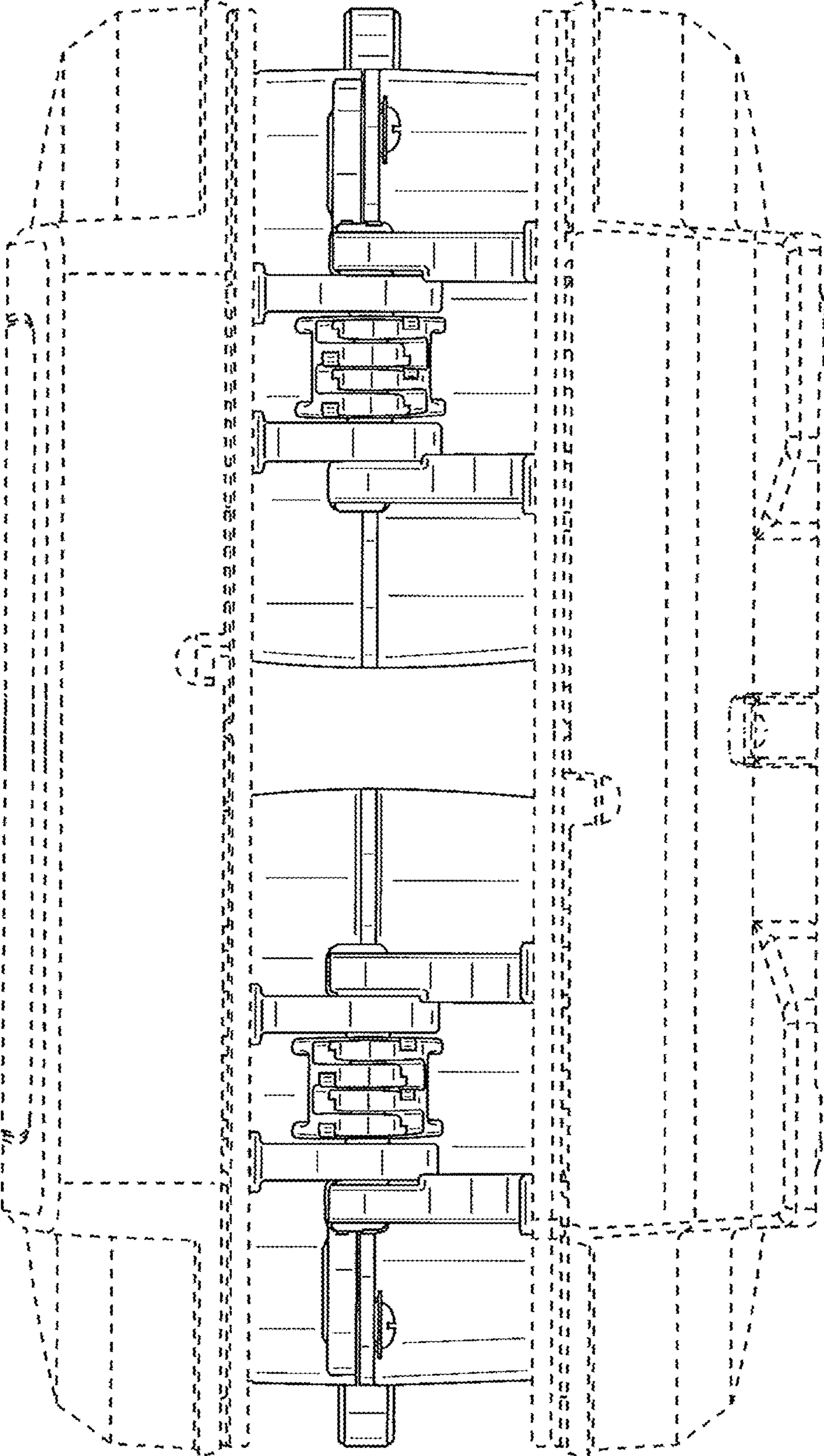


FIG. 5

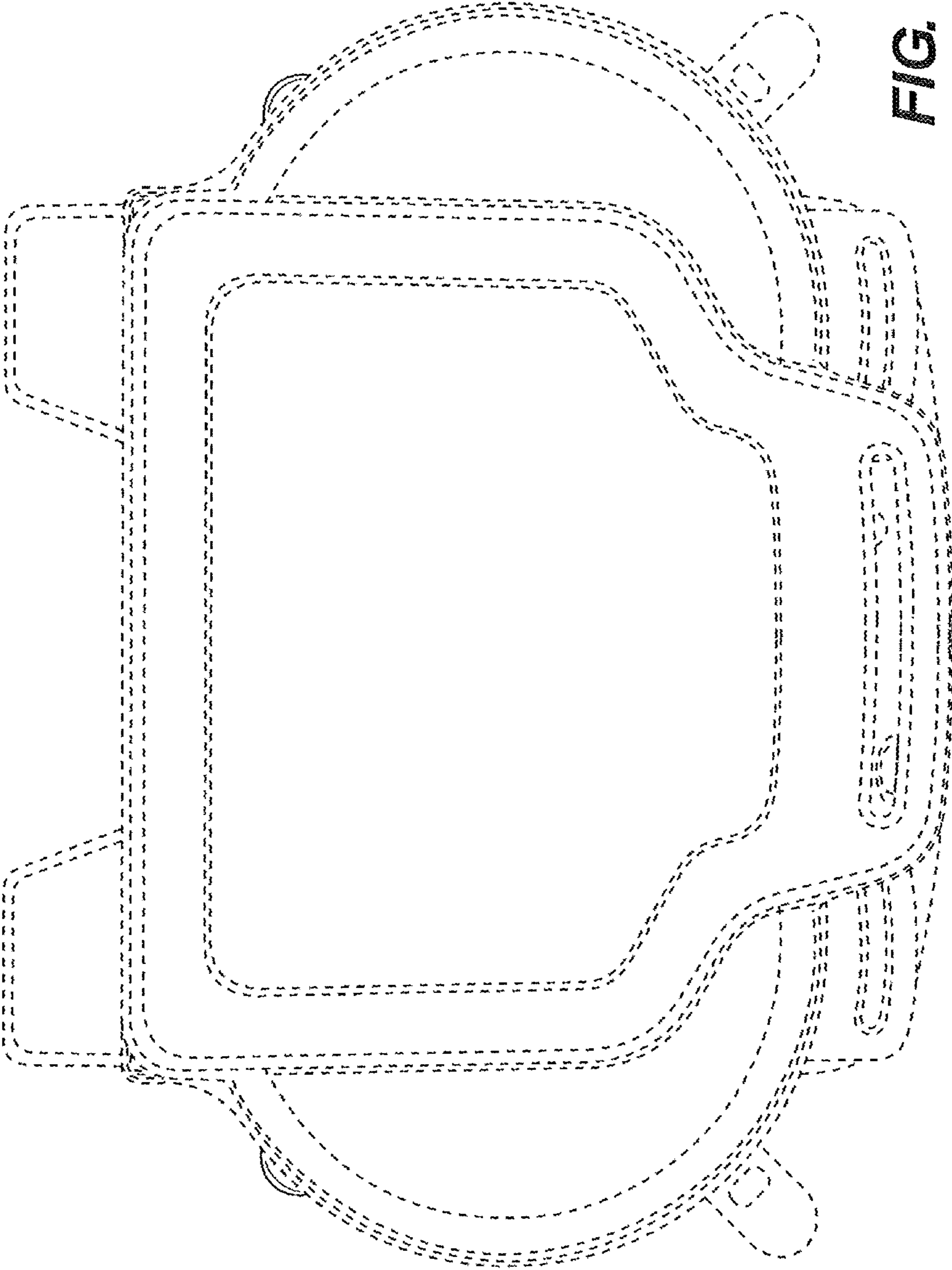


FIG. 6

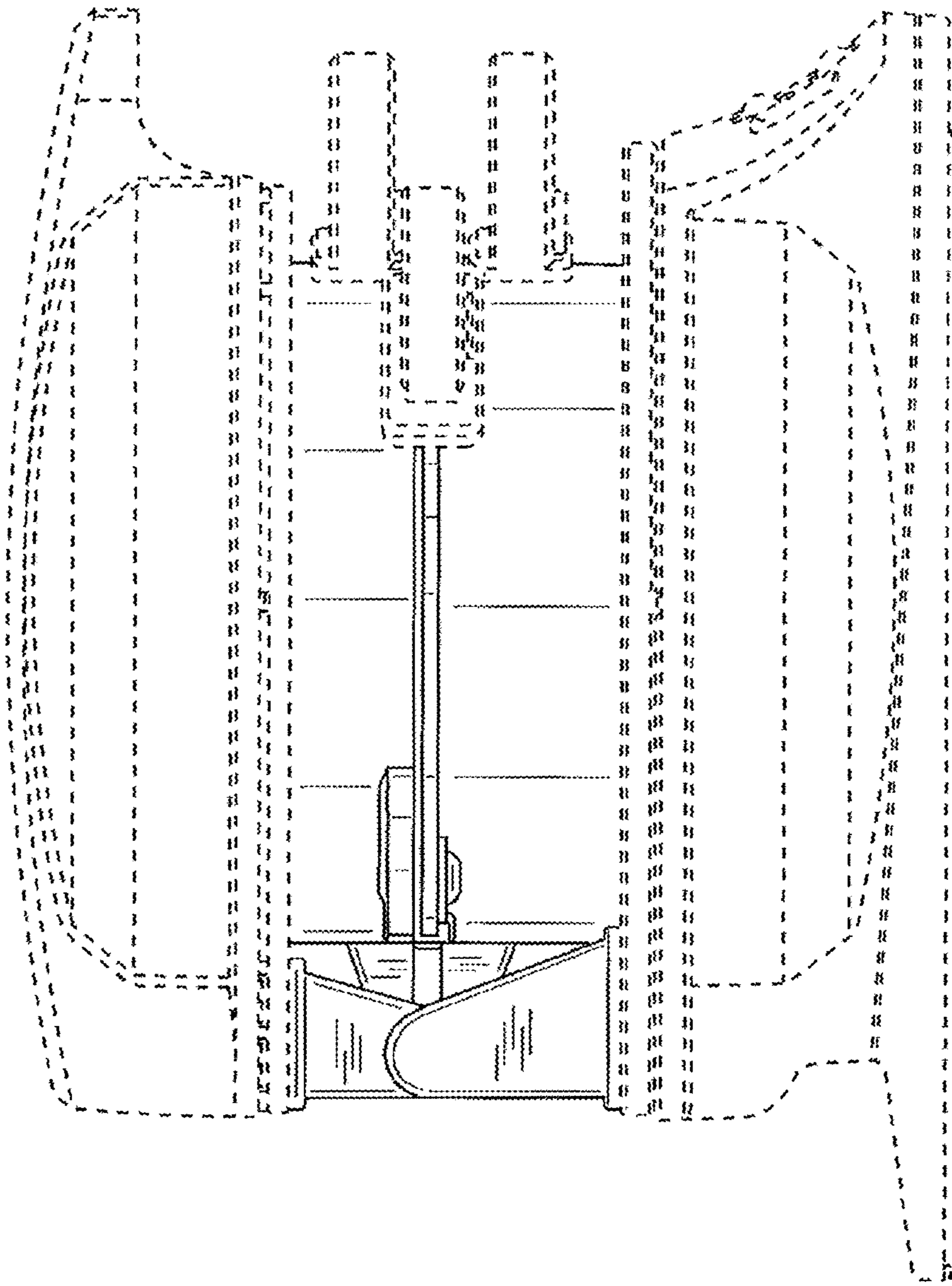


FIG. 7

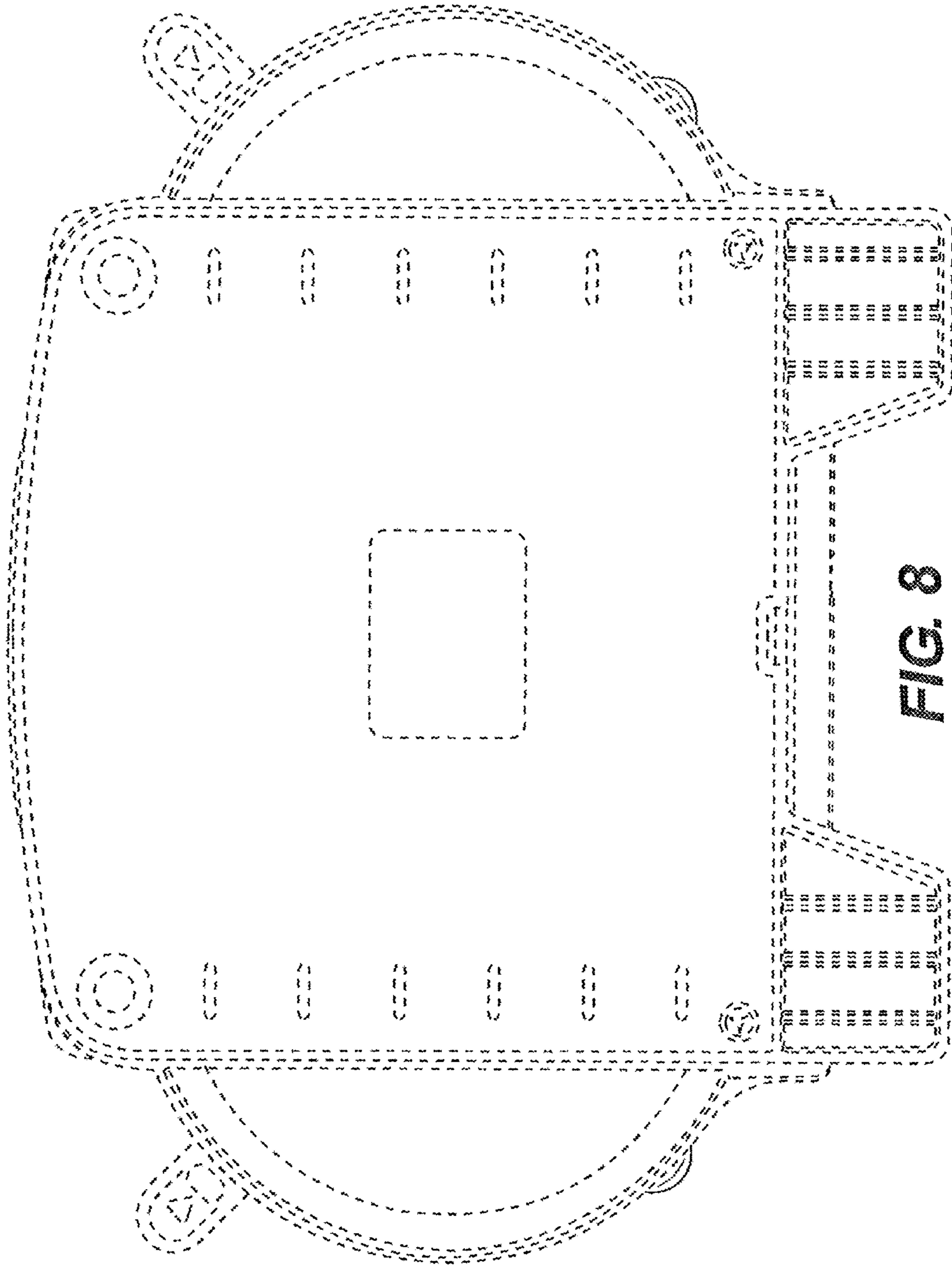


FIG. 8