

US00D766028S

(12) **United States Design Patent** (10) **Patent No.:** **US D766,028 S**  
**Alvarez et al.** (45) **Date of Patent:** **\*\* Sep. 13, 2016**

(54) **SEAT SUPPORT COVER**

- (71) Applicant: **A-dec, Inc.**, Newberg, OR (US)  
(72) Inventors: **Jason Alvarez**, Portland, OR (US);  
**Rebekah Slyter**, Newberg, OR (US);  
**Charles Stark**, Tigard, OR (US)  
(73) Assignee: **A-dec, Inc.**, Newberg, OR (US)  
(\*\*) Term: **14 Years**  
(21) Appl. No.: **29/519,427**  
(22) Filed: **Mar. 4, 2015**  
(51) **LOC (10) Cl.** ..... **06-01**  
(52) **U.S. Cl.**  
USPC ..... **D6/716.7**  
(58) **Field of Classification Search**  
USPC ..... D6/364–368, 374, 716, 716.7, 500;  
297/217.3, 344.19, 452.24, 452.26,  
297/452.28, 452.32–33, 452.37; D12/133;  
248/161  
CPC ..... B60N 2/02; B60N 2/22; B60N 2/44;  
A47C 1/10; A47C 1/031  
See application file for complete search history.

(56) **References Cited**

U.S. PATENT DOCUMENTS

D292,459 S *	10/1987	Doerner	.....	D12/133
6,361,110 B2 *	3/2002	Roslund, Jr.	.....	248/161
D473,737 S *	4/2003	Klaesener	.....	D6/716.7
D557,946 S *	12/2007	Matern	.....	D6/716.7
D578,326 S *	10/2008	Donati	.....	D6/716.7
D599,586 S *	9/2009	Moreschi	.....	D6/716.7
D647,734 S *	11/2011	Donati	.....	D6/716.7
D647,737 S *	11/2011	Costaglia	.....	D6/716.7
D649,815 S *	12/2011	Costaglia	.....	D6/716.7
D653,481 S *	2/2012	Moreschi	.....	D6/716.7
D719,774 S *	12/2014	Brooks	.....	D6/716.7
2009/0026816 A1 *	1/2009	Haller	.....	B60N 2/501 297/217.3
2010/0007190 A1 *	1/2010	Johnson	.....	A47C 31/023 297/440.15

OTHER PUBLICATIONS

A-dec, Inc., Specialty Seating for Robust Support, <http://us.a-dec.com/en/~/media/Adec/Document%20Library/Product%20Information/Sales%20Information/Fact%20Sheets/85607200.pdf> (downloaded Jun. 4, 2015).  
Ahearn, Dr. David J., “Operator Seating: Support for Life,” <http://rgpdental.com/pdfs/ProperSeating.pdf> (downloaded on Jun. 4, 2015).  
Back Quality Ergonomics, CorrectSit™, [http://www.bqe-usa.com/blobs/PDF2/090707\\_BQE\\_CorrectSit\\_MAIL\\_ENG\\_09.pdf](http://www.bqe-usa.com/blobs/PDF2/090707_BQE_CorrectSit_MAIL_ENG_09.pdf) (downloaded on Jun. 4, 2015).

(Continued)

*Primary Examiner* — Manpreet Matharu  
*Assistant Examiner* — Keith Wilson  
(74) *Attorney, Agent, or Firm* — Klarquist Sparkman, LLP

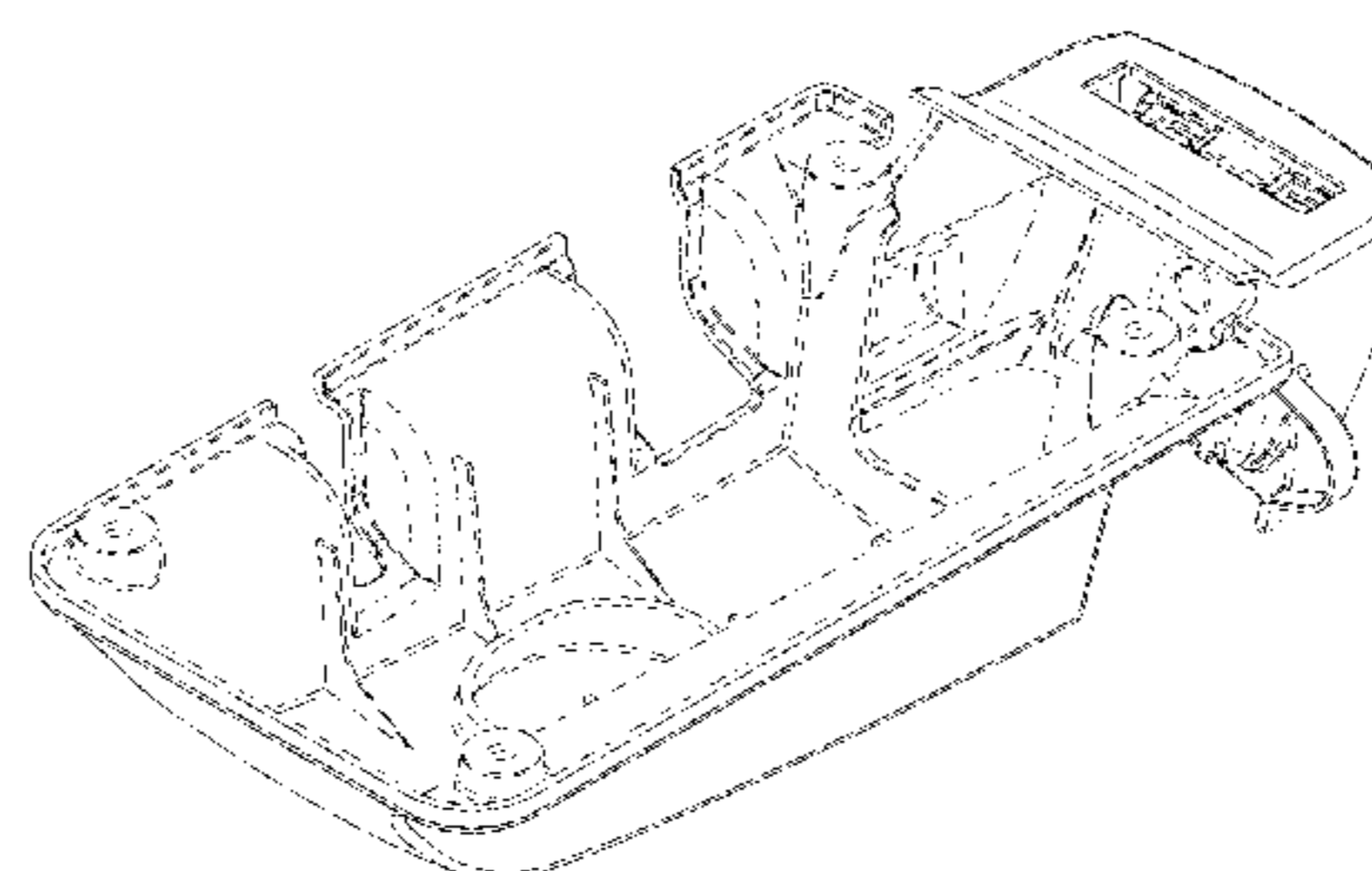
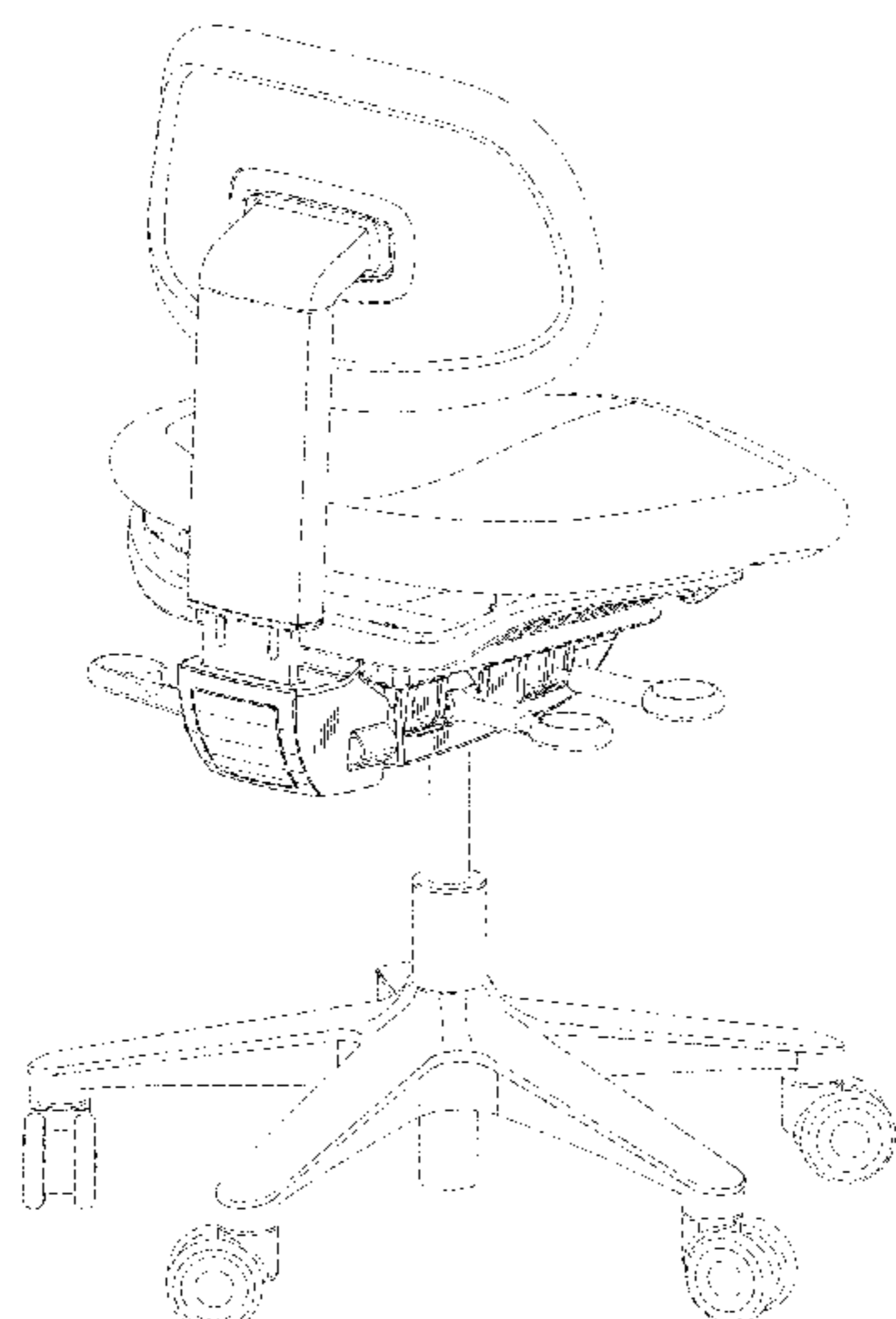
(57) **CLAIM**

We claim the ornamental design for a seat support cover, as shown and described.

**DESCRIPTION**

FIG. 1 is a perspective view of a seat support cover on a stool showing a back, a right side and a portion of a top.  
FIG. 2 is another perspective view showing a front, the top and a left side of the seat support cover of FIG. 1.  
FIG. 3 is another perspective view showing the front, the bottom and the right side of the seat support cover of FIG. 1.  
FIG. 4 is a left side elevational view.  
FIG. 5 is a front elevational view.  
FIG. 6 is a top plan view; and,  
FIG. 7 is a bottom plan view.  
The broken line showings of internal and mounting portions of the seat support cover form no part of the claimed design. The broken line showing of a portion of the stool illustrates the environment of the claimed design and forms no part thereof.

**1 Claim, 4 Drawing Sheets**



(56)

**References Cited**

## OTHER PUBLICATIONS

Back Quality Ergonomics, Dynamic™, [http://www.bqe-usa.com/blobs/PDF2/090707\\_BQE\\_Dynamic\\_MAIL\\_EN.pdf](http://www.bqe-usa.com/blobs/PDF2/090707_BQE_Dynamic_MAIL_EN.pdf) (downloaded on Jun. 4, 2015).

Back Quality Ergonomics, ErgoSolex™, [http://www.bqe-usa.com/blobs/PDF2/090707\\_BQE\\_ErgoSolex\\_MAIL\\_ENG\\_09.pdf](http://www.bqe-usa.com/blobs/PDF2/090707_BQE_ErgoSolex_MAIL_ENG_09.pdf) (downloaded on Jun. 4, 2015).

Back Quality Ergonomics, The Scissor®, 2 pages (document not dated).

Belmont Equipment, Operatory Seating, Dental Seating, 2 pages (document marked 2001).

Belmont Equipment, Operatory Seating, Model 100 and Model 101, 2 pages (document marked 2008).

Boyd Industries, Doctor Assistant Seating, <http://www.boydindustries.com/orthodontics/doctor-assistant-seating.php> (downloaded Jun. 4, 2015).

Brewer Company, Dental Seating, 8 pages (document marked Sep. 2013).

Brewer Design, DynaCore Seating System, [http://brewercompany.com/wp-content/uploads/2015/01/LIT-D-008\\_DynaCore-Brochure.pdf](http://brewercompany.com/wp-content/uploads/2015/01/LIT-D-008_DynaCore-Brochure.pdf) (downloaded Jun. 4, 2015).

Castellini, Stool C9, <http://pdf.medicaexpo.com/pdf/castellini/stool-c9/71690-138078.html#open> (downloaded Jun. 4, 2015).

CB Dental, Andy, 1 page (document not dated).

DentalEZ Group, Elbow Support, [http://www.dentalez.com/downloads/product-literature/cat\\_view/71-downloads/49-product-literature/87-dentalez-equipment](http://www.dentalez.com/downloads/product-literature/cat_view/71-downloads/49-product-literature/87-dentalez-equipment) (downloaded Jun. 4, 2015).

DentalEZ Group, ErgoSure™ Stools, [http://www.dentalez.com/downloads/product-literature/cat\\_view/71-downloads/49-product-literature/87-dentalez-equipment](http://www.dentalez.com/downloads/product-literature/cat_view/71-downloads/49-product-literature/87-dentalez-equipment) (downloaded Jun. 4, 2015).

DentalEZ Group, ErgoSure™ Stools Manual, <http://www.dentalez.com/products/dentalez/dental-stools/ergosure-stools/63-ergosure-stool-product-literature-photographs-manuals> (downloaded Jun. 4, 2015).

Fedesa, Astral Stool, [http://www.fedesa.com/en/tab/tab\\_1.php](http://www.fedesa.com/en/tab/tab_1.php) (downloaded on Jun. 4, 2015).

Forest Dental, Doctor's Deluxe 6126C, <http://catalog.forestdental.com/chairs-stools/stools> (downloaded Jun. 4, 2015).

KaVo, PHYSIO Evo, <http://pdf.medicaexpo.com/pdf/kavo/physio-evo/70663-126121.html> (downloaded Jun. 4, 2015).

KaVo, PHYSIO One, <http://www.kavo.com/en/file/4702/download?token=EeWCNgzk> (downloaded on Jun. 4, 2015).

Marus, Dental Stools, <http://marus.com/dental-chairs/stools/> (downloaded Jun. 4, 2015).

Midmark, Seating, <http://www.midmark.com/docs/default-source/marketing-collateral/007-0715-00.pdf?sfvrsn=2> (downloaded Jun. 4, 2015).

Pelton & Crane, Spirit Chairs, 5 pages (document marked May 2012).

Pelton & Crane, Stools, 1 page (document not dated).

Planmeca, Dental Stools, 2 pages (document not dated).

RGP Inc, Dental, <http://rgpdental.com/dental> (downloaded Jun. 4, 2015).

Royal Dental Group, A2150 Operator Stool, <http://www.royaldentalgroup.com/pdfs/A2150.pdf> (downloaded Jun. 4, 2015).

Royal Dental Group, A2160 Assistant Stool, <http://www.royaldentalgroup.com/pdfs/A2160.pdf> (downloaded Jun. 4, 2015).

Royal Dental Group, D2110 Operator Stool, <http://www.royaldentalgroup.com/pdfs/D2110.pdf> (downloaded Jun. 4, 2015).

Royal Dental Group, D2120 Assistant Stool, <http://www.royaldentalgroup.com/pdfs/D2120.pdf> (downloaded Jun. 4, 2015).

Royal Dental Group, RA24 Assistant Stool, <http://www.royaldentalgroup.com/pdfs/RA24.pdf> (downloaded Jun. 4, 2015).

Royal Dental Group, RO2 Operator Stool, <http://www.royaldentalgroup.com/pdfs/RO2.pdf> (downloaded Jun. 4, 2015).

Royal Dental Group, RO44 Operator Stool, <http://www.royaldentalgroup.com/pdfs/RO44.pdf> (downloaded Jun. 4, 2015).

Salli, MultiAdjuster, [http://www.salli.com/print.asp?siteid=en&id=Salli\\_MultiAdjuster\\_2](http://www.salli.com/print.asp?siteid=en&id=Salli_MultiAdjuster_2) (downloaded Dec. 10, 2015).

Salli, Surgeon, [http://www.salli.com/print.asp?siteid=en&id=Salli\\_Surgeon\\_2](http://www.salli.com/print.asp?siteid=en&id=Salli_Surgeon_2) (downloaded Dec. 10, 2014).

Salli, Swing, [http://www.salli.com/print.asp?siteid=en&id=Salli\\_Swing](http://www.salli.com/print.asp?siteid=en&id=Salli_Swing) (downloaded Dec. 10, 2015).

Salli, SwingFit, [http://www.salli.com/print.asp?siteid=en&id=Salli\\_SwingFit\\_2](http://www.salli.com/print.asp?siteid=en&id=Salli_SwingFit_2) (downloaded Dec. 10, 2014).

Salli, Twin, [http://www.salli.com/print.asp?siteid=en&id=Salli\\_Twin](http://www.salli.com/print.asp?siteid=en&id=Salli_Twin) (downloaded Dec. 10, 2014).

Scandex LLC, Classic, Series 400 w/ Relax-style arm supports, <http://www.scandex.us/bjorn/default.aspx> (downloaded Jun. 4, 2015).

Scandex LLC, Unisex, Series 600 w/ Dual Swing-arm Support SAD12, <http://www.scandex.us/bjorn/default.aspx> (downloaded Jun. 4, 2015).

Sirona, Carl—The All-Around Seat, <http://www.sirona.com/en/products/treatment-centers/carl/?tab=390> (downloaded Jun. 4, 2015).

Sirona, Hugo—The Smart Stool for you Dental Practice, <http://www.sirona.com/ecomaXL/files/A91100-M41-B116-01-7600.pdf&download=1> (downloaded Jun. 4, 2015).

Summit Dental Systems, Compare Products, Stool, [http://www.summitdental.com/compare-products-view?type\\_1=stool](http://www.summitdental.com/compare-products-view?type_1=stool) (downloaded Jun. 4, 2015).

Tecnodent, Egg & Sting, <http://www.tecnodent.com/nuovo/wp-content/uploads/2014/07/Catalogo-Egg-Sting-ENG-Copia-3.pdf> (downloaded Jun. 4, 2015).

Tecnodent, Ergo Line, <http://www.tecnodent.com/nuovo/wp-content/uploads/2014/07/Catalogo-Ergo-ENG-Copia-21.pdf> (downloaded Jun. 4, 2015).

Tecnodent, Gel Line, <http://www.tecnodent.com/nuovo/wp-content/uploads/2014/07/Catalogo-Pluto-Venus-EN.pdf> (downloaded Jun. 4, 2015).

Valachi, Bethany S., "Operator Stools: How Selection and Adjustment Impact Your Health," <http://www.dentistrytoday.com/ergonomics/1109> (Aug. 31, 2005).

Vitali, Estro, 2 pages (document not dated).

\* cited by examiner

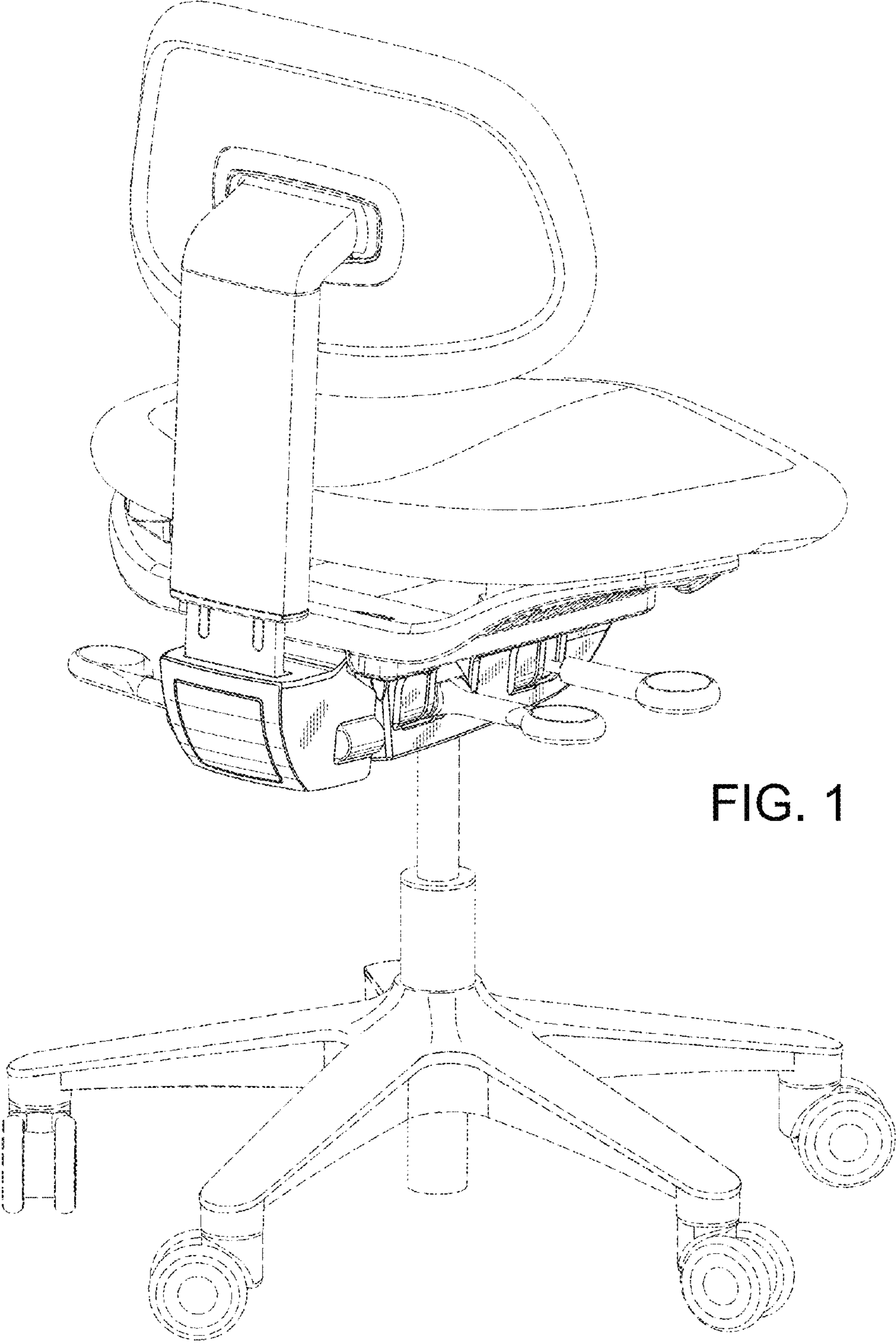


FIG. 1

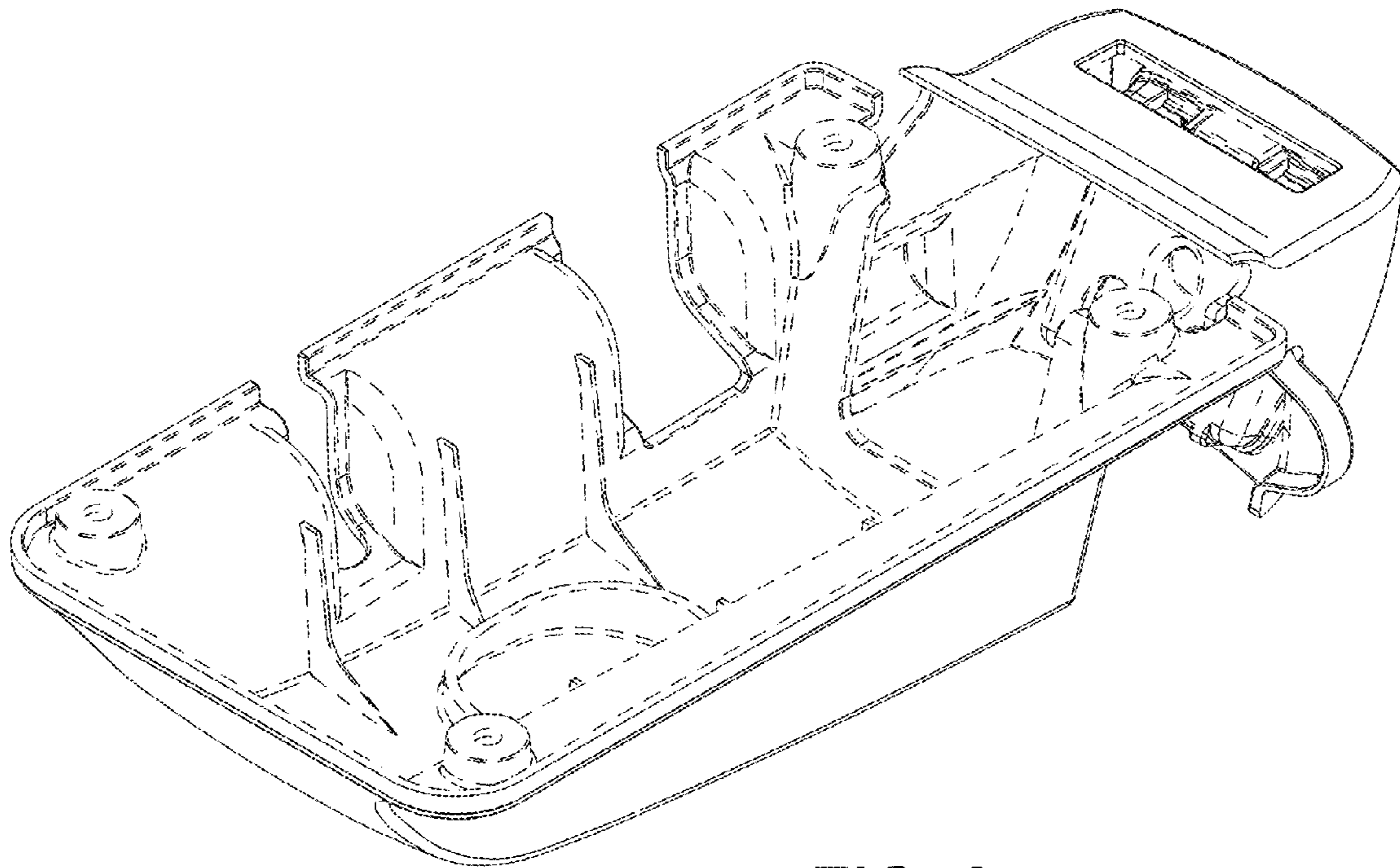


FIG. 2

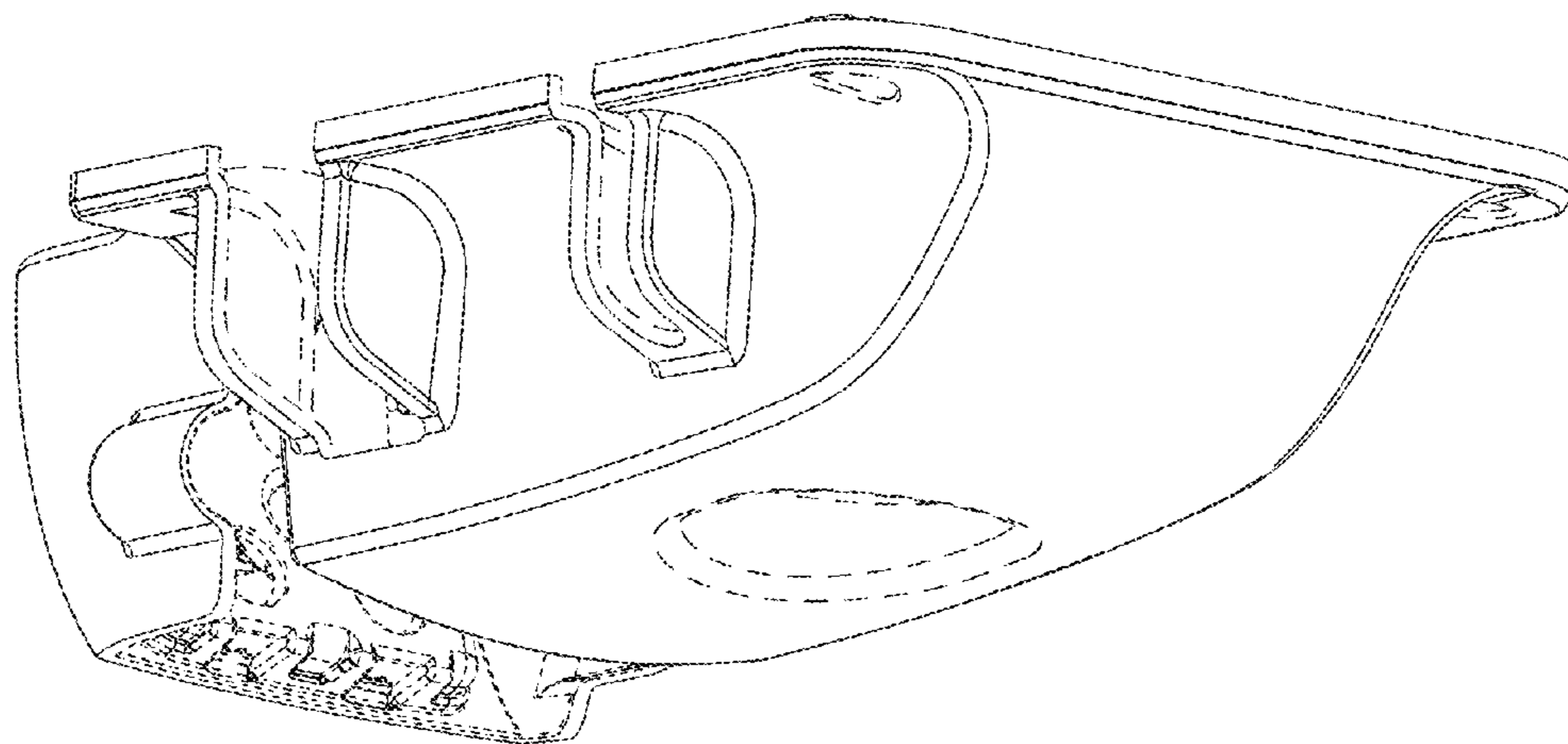


FIG. 3

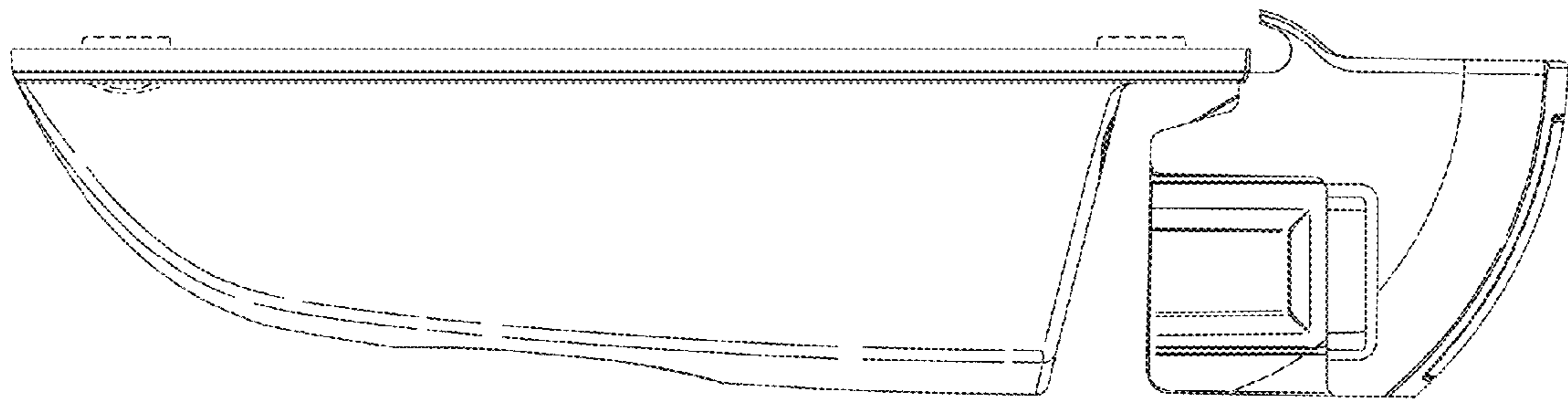


FIG. 4

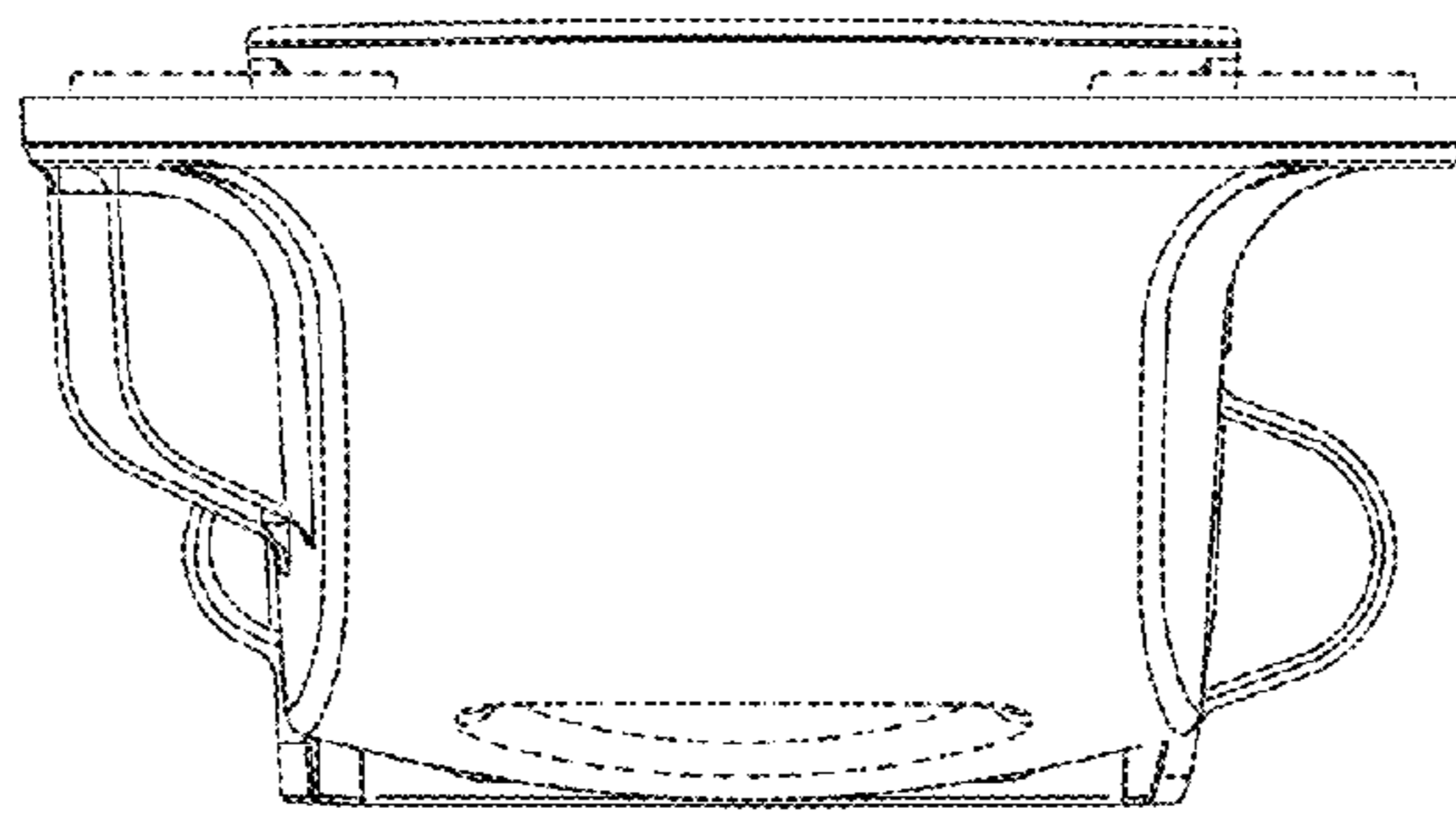


FIG. 5

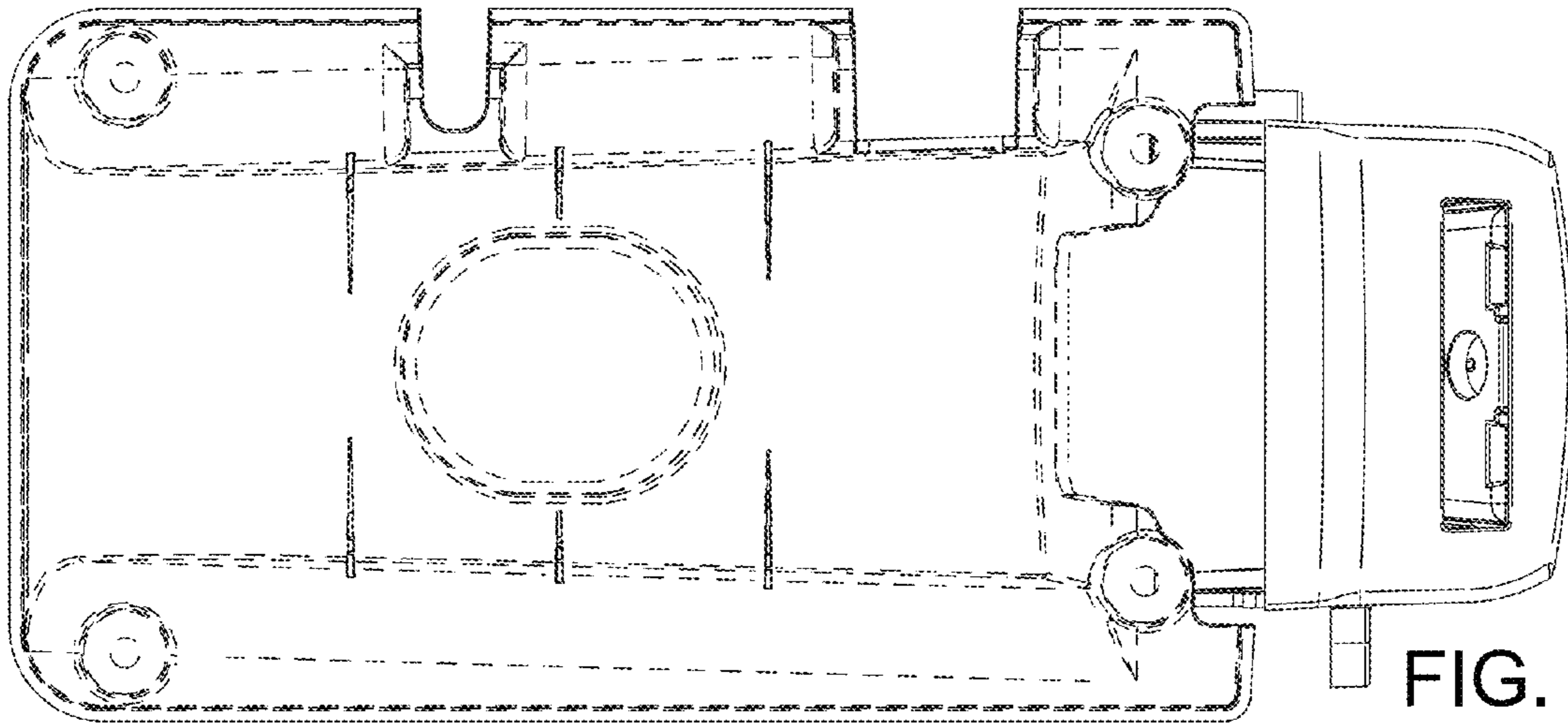


FIG. 6

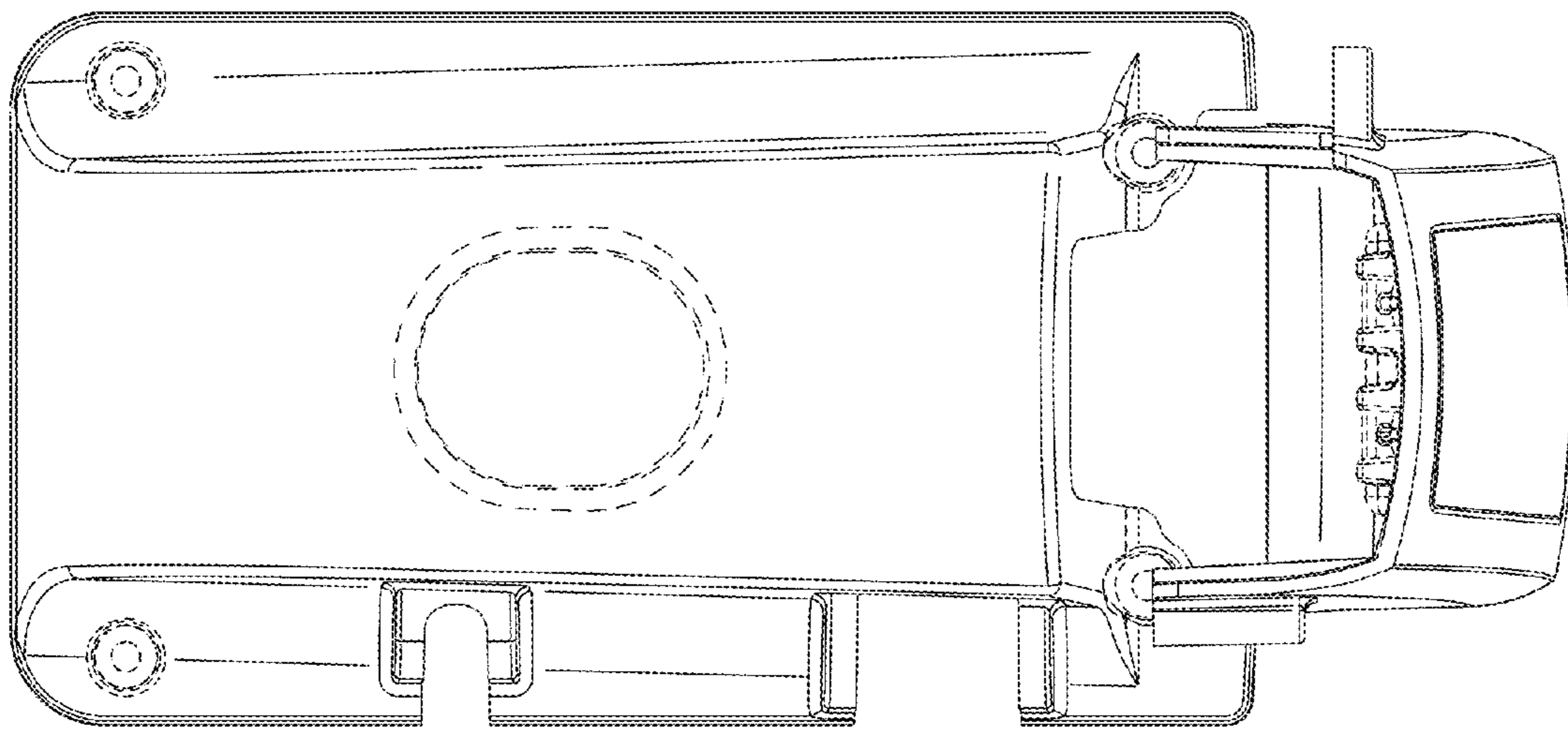


FIG. 7